



US00D598522S

(12) **United States Design Patent**  
**Schoenherr et al.**

(10) **Patent No.:** **US D598,522 S**

(45) **Date of Patent:** **\*\* Aug. 18, 2009**

(54) **SHOWER CONTROL**

D458,348 S \* 6/2002 Mullenmeister ..... D23/254  
D473,291 S \* 4/2003 Marshall ..... D23/254

(75) Inventors: **Tom Schoenherr**, Stuttgart (DE); **Sven Feustel**, Stuttgart (DE)

\* cited by examiner

(73) Assignee: **Hansgrohe AG**, Schiltach (DE)

*Primary Examiner*—Robert A Delehanty  
(74) *Attorney, Agent, or Firm*—Nirav D. Parikh; Edgar A. Zarins

(\*\*) Term: **14 Years**

(21) Appl. No.: **29/333,839**

(57) **CLAIM**

(22) Filed: **Mar. 16, 2009**

The ornamental design for a shower control, as shown and described.

(30) **Foreign Application Priority Data**

Sep. 26, 2008 (EM) ..... 001011415-0011

**DESCRIPTION**

(51) **LOC (9) Cl.** ..... **23-01**

FIG. 1 is a perspective view of a shower control showing our design;

(52) **U.S. Cl.** ..... **D23/254**

FIG. 2 is a front elevational view thereof;

(58) **Field of Classification Search** ..... D23/238–243,  
D23/250–254, 249; 4/675–677; 137/801,  
137/359; 16/110.1, 402; D8/300, 307–310,  
D8/350–358; D6/525, 546, 550, 800

FIG. 3 is a left side elevational view thereof; the right side elevational view being a mirror image thereof;

See application file for complete search history.

FIG. 4 is a top plan view thereof; and,

FIG. 5 is a bottom plan view thereof.

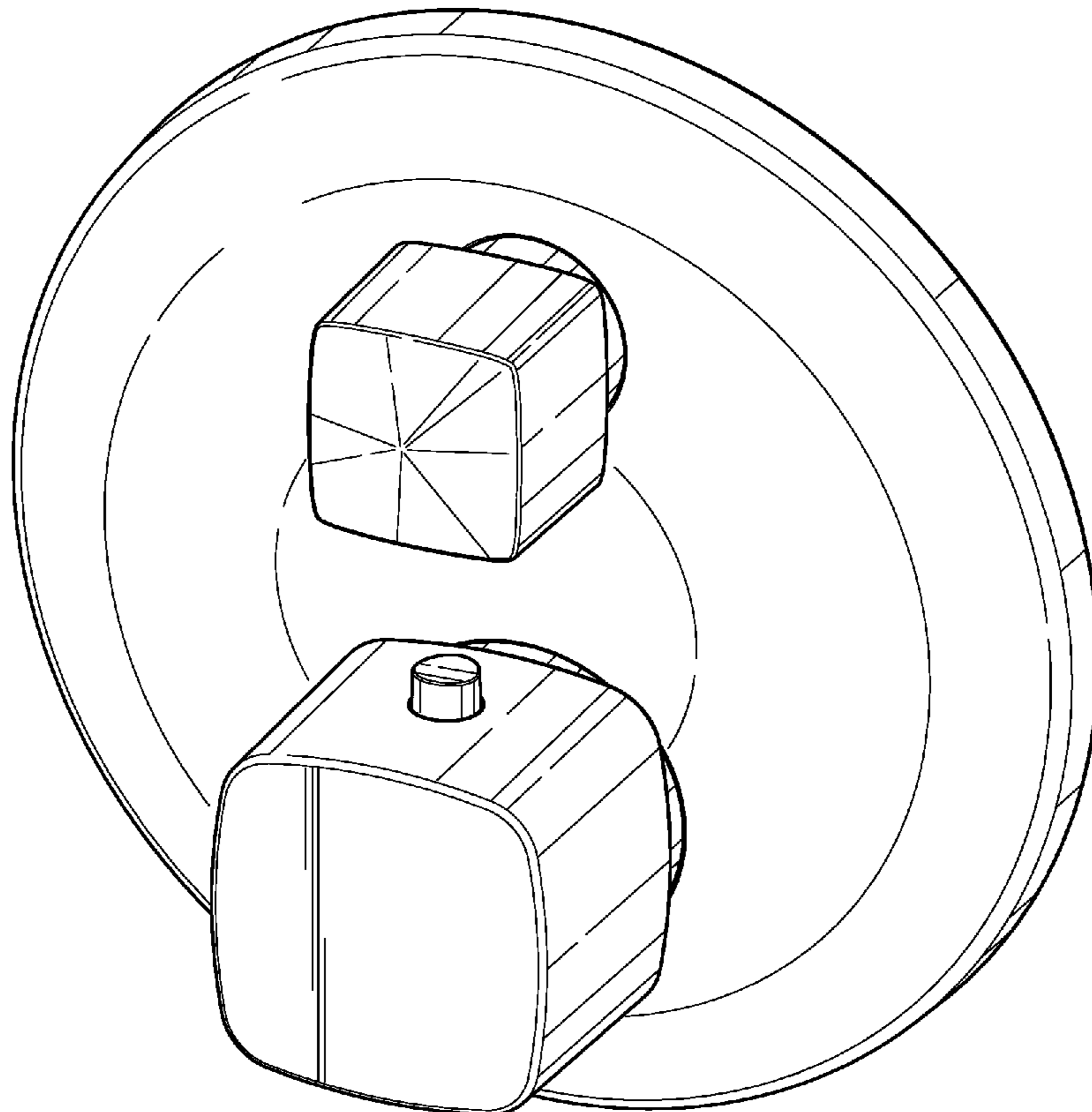
(56) **References Cited**

The broken lines in the drawings represent unclaimed portions of the design and form no part thereof.

**U.S. PATENT DOCUMENTS**

D450,813 S \* 11/2001 Lobermeier ..... D23/254

**1 Claim, 5 Drawing Sheets**



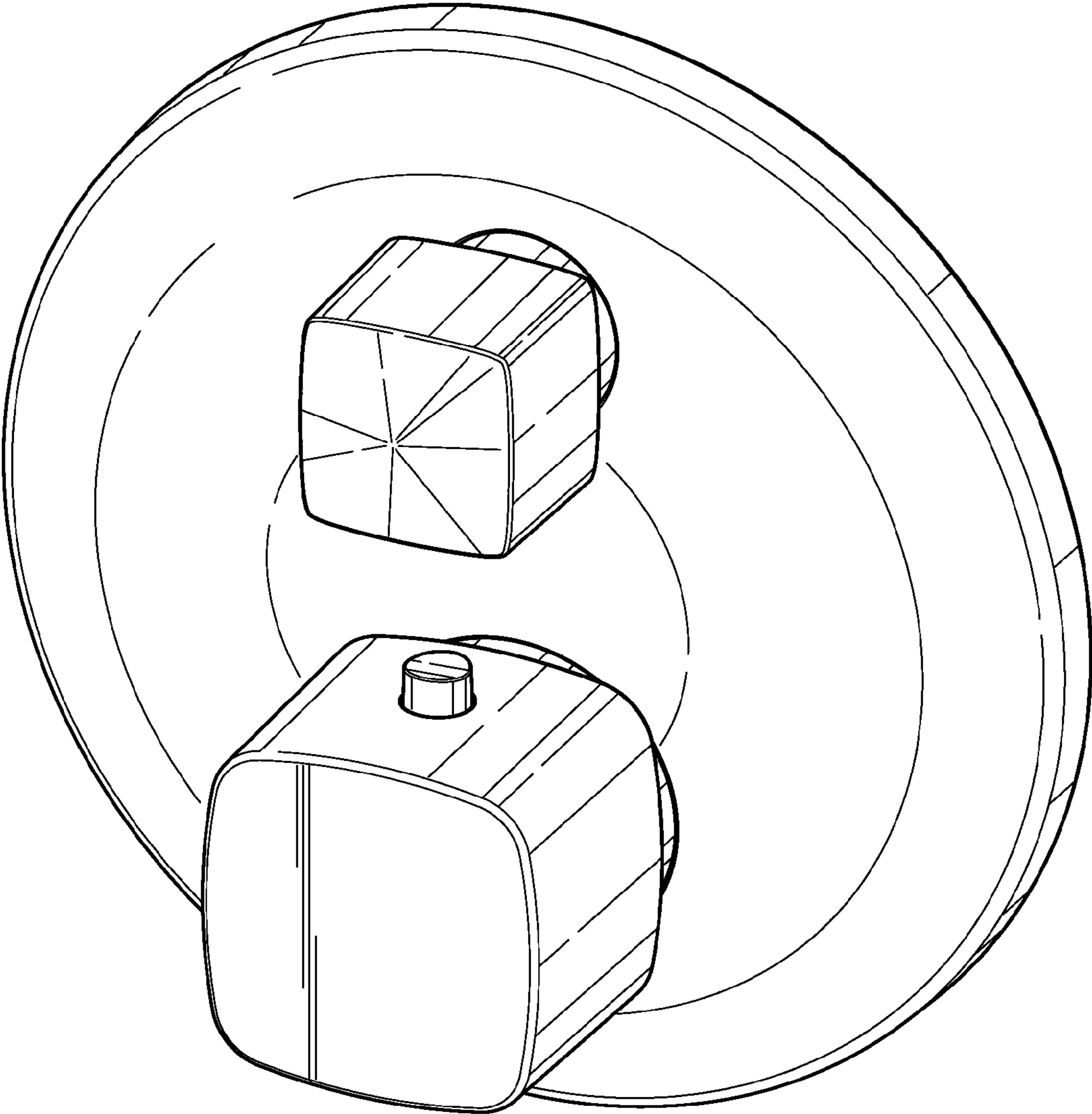


FIG. 1

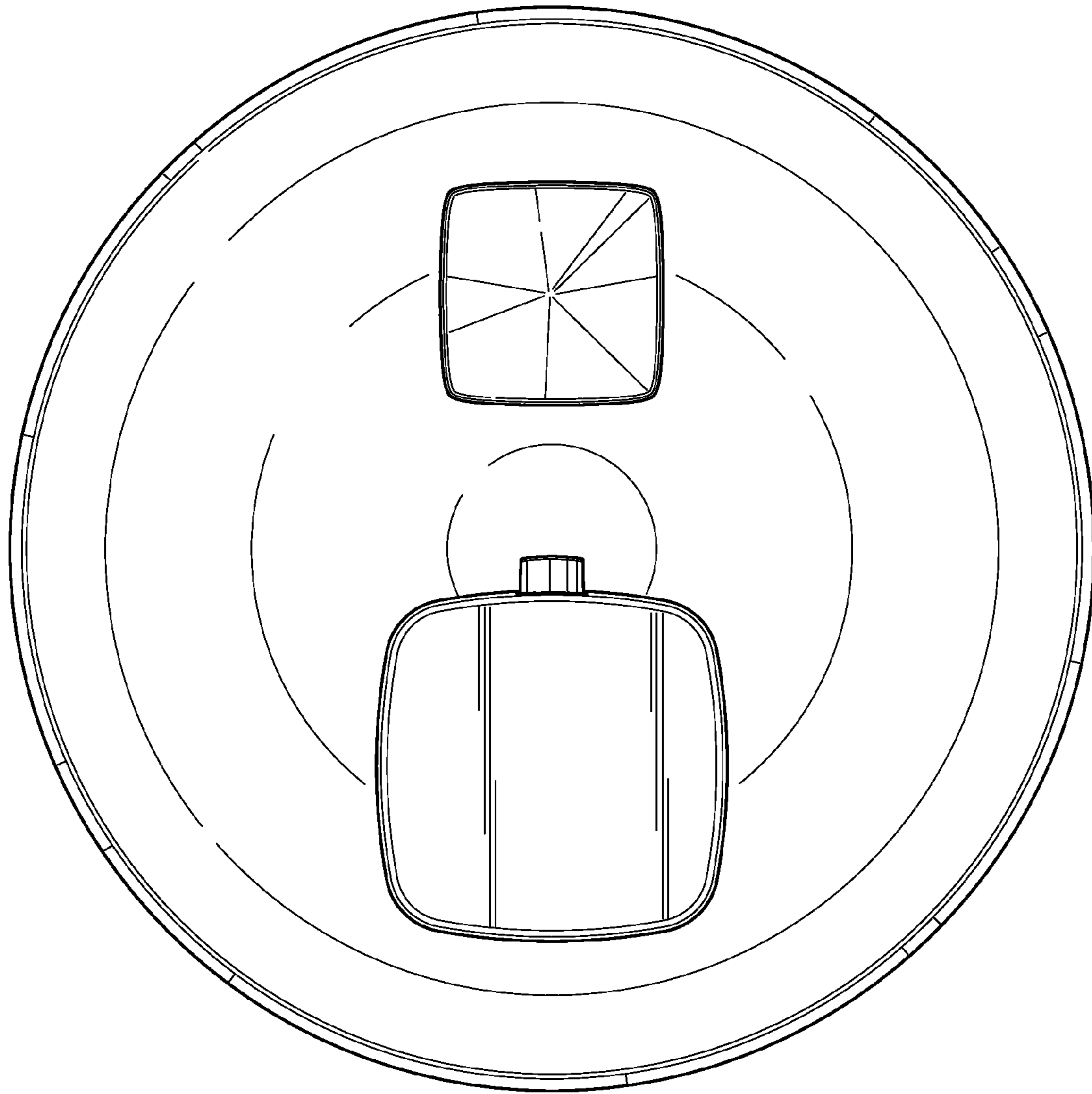


FIG. 2

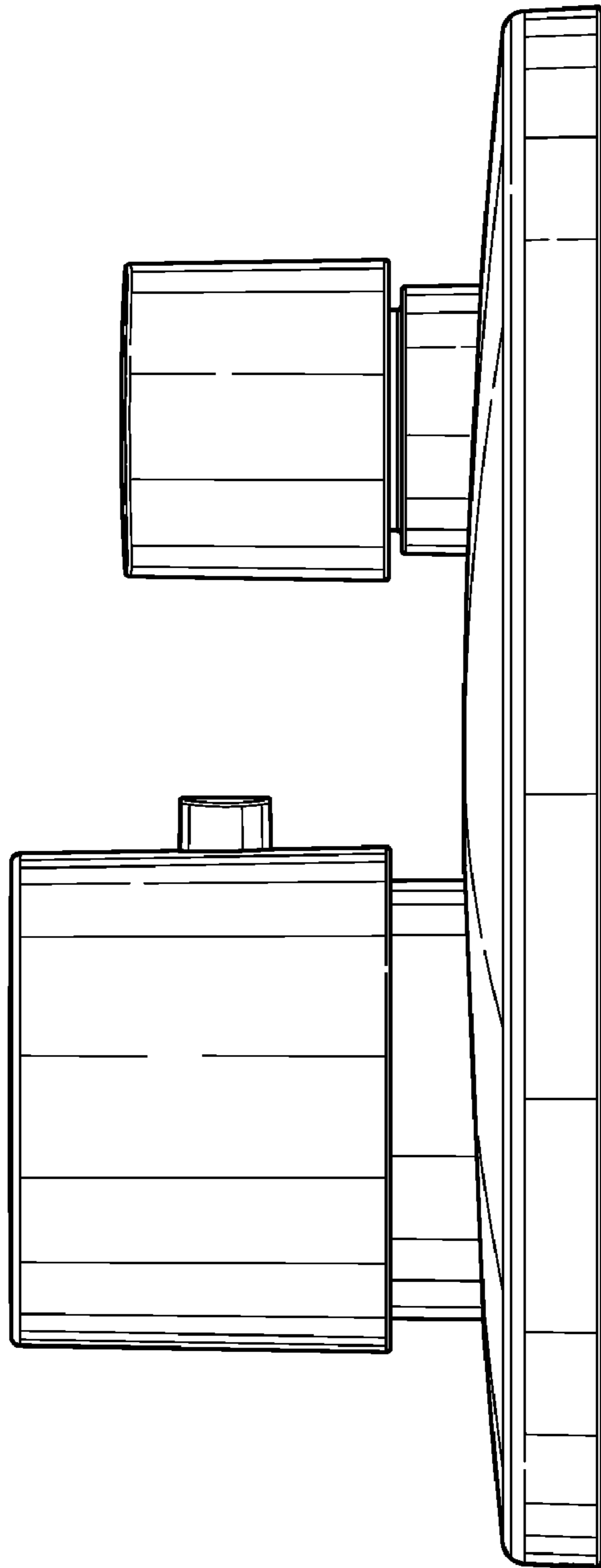


FIG. 3

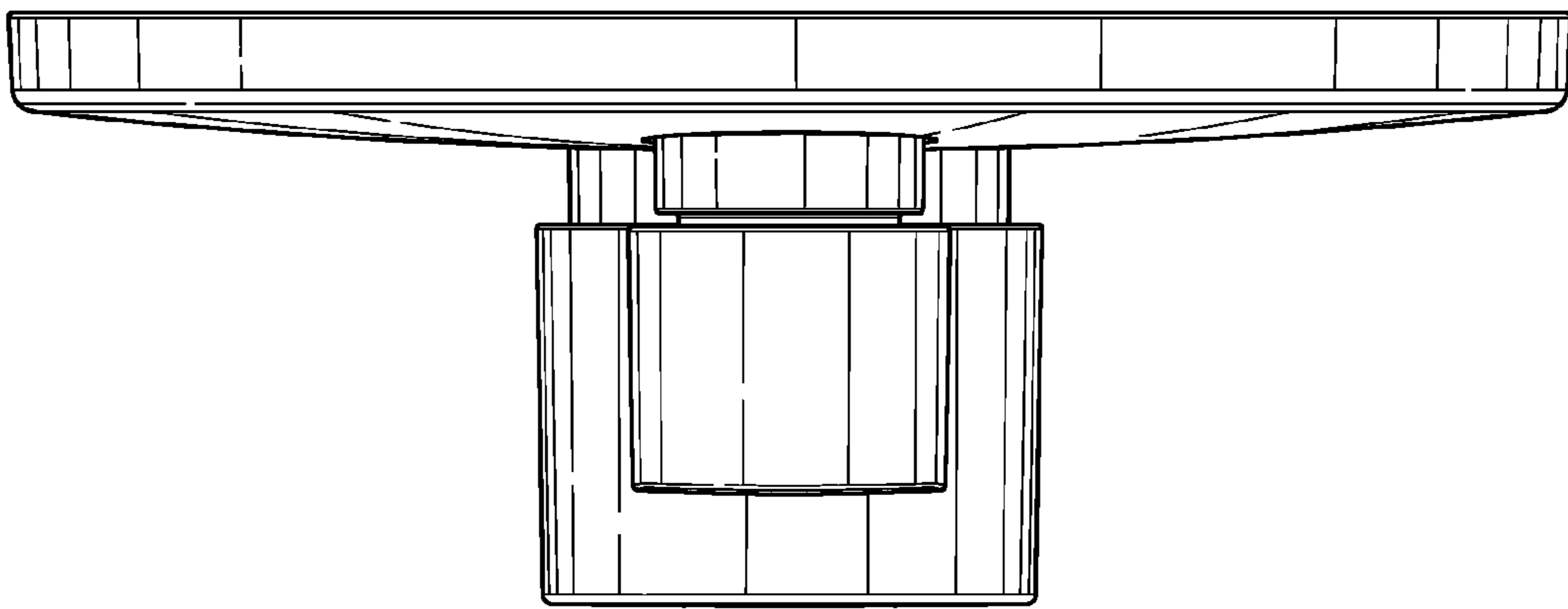


FIG. 4

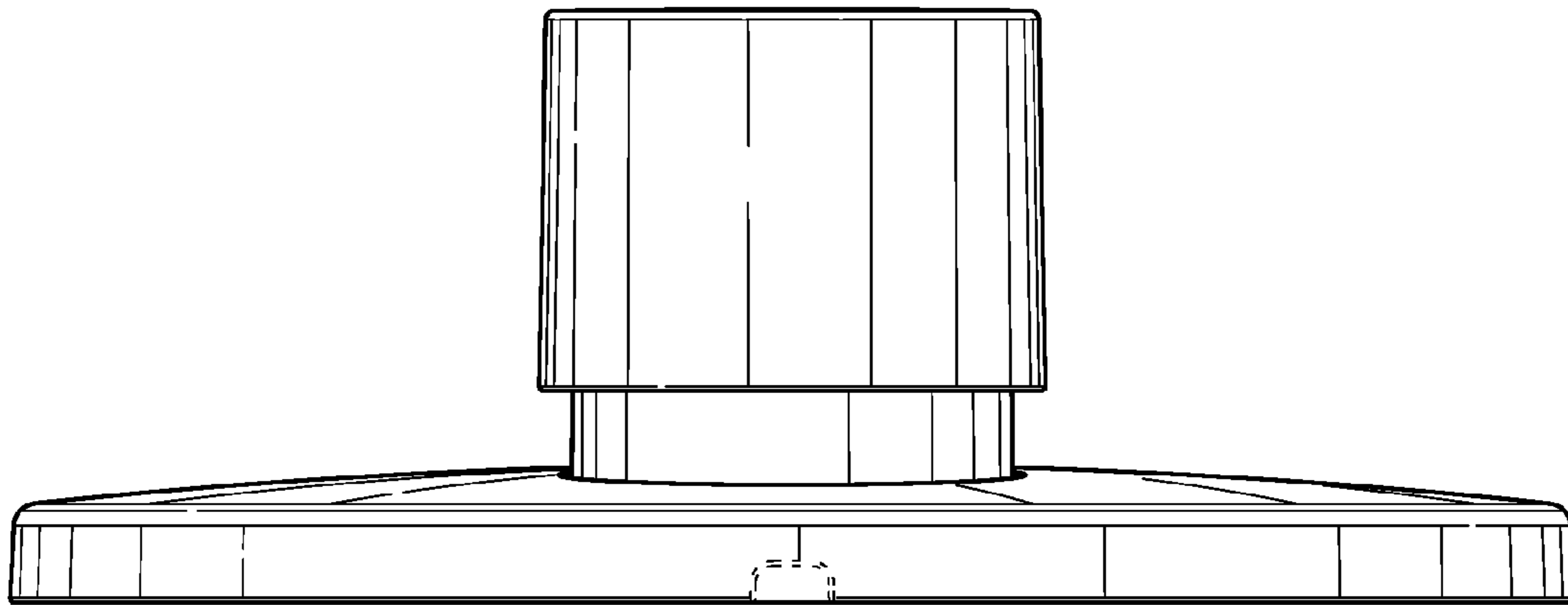


FIG. 5