



US00D598516S

(12) **United States Design Patent**
Butler

(10) **Patent No.:** **US D598,516 S**
(45) **Date of Patent:** **** Aug. 18, 2009**

(54) **BARREL**

- (75) Inventor: **Timothy B. Butler**, Frankfort, NY (US)
- (73) Assignee: **RA Brands, L.L.C.**, Madison, NC (US)
- (**) Term: **14 Years**
- (21) Appl. No.: **29/295,862**
- (22) Filed: **Oct. 9, 2007**
- (51) **LOC (9) Cl.** **22-01**
- (52) **U.S. Cl.** **D22/108**
- (58) **Field of Classification Search** D22/100,
D22/108, 109, 110, 199; 42/11, 72, 75.02,
42/71.01, 85, 90, 106, 114, 113, 116, 119,
42/124, 125, 127, 145, 128; 248/201, 205.1
See application file for complete search history.

(56) **References Cited**

U.S. PATENT DOCUMENTS

4,207,799	A *	6/1980	Tocco	89/196
D285,235	S *	8/1986	Cellini	D22/108
D285,237	S *	8/1986	Cellini	D22/108
D285,331	S *	8/1986	Cellini	D22/108
4,811,648	A *	3/1989	Blackwell et al.	89/14.3
4,879,942	A *	11/1989	Cave	89/14.3
5,020,416	A *	6/1991	Tripp	89/14.3
5,811,714	A *	9/1998	Hull et al.	89/14.3
6,595,099	B1 *	7/2003	Olson et al.	89/14.2
6,722,254	B1 *	4/2004	Davies	89/14.3
7,428,795	B2 *	9/2008	Herring	42/75.01
2003/0154849	A1 *	8/2003	Breuer	89/14.3
2006/0010750	A1 *	1/2006	Yoshitaka	42/79
2007/0266844	A1 *	11/2007	Dueck	89/14.4

* cited by examiner

Primary Examiner—T. Chase Nelson
Assistant Examiner—Michael A Pratt
(74) *Attorney, Agent, or Firm*—Womble Carlyle et al.

(57) **CLAIM**

The ornamental design for a barrel, shown and described.

DESCRIPTION

FIG. 1 is a rear perspective view of a first embodiment of a barrel according to my new design;

FIG. 2 is a top plan view of the first barrel embodiment.

FIG. 3 is a left side elevation view of the first barrel embodiment, wherein a right side elevation view of the first barrel embodiment is a mirror image of FIG. 3.

FIG. 4 is a bottom plan view of the first barrel embodiment.

FIG. 5 is a front elevation view of the first barrel embodiment viewed from the muzzle end of the barrel.

FIG. 6 is a rear elevation view of the first barrel embodiment viewed from the breech end of the barrel.

FIG. 7 is a cross-sectional view of the first barrel embodiment taken along line 7—7 in FIG. 2.

FIG. 8 is a greatly enlarged front perspective view of a portion of the first embodiment of a gun barrel;

FIG. 9 is a rear perspective view of a second embodiment of a barrel according to my new design.

FIG. 10 is a top plan view of the second barrel embodiment.

FIG. 11 is a left side elevation view of the second barrel embodiment, wherein a right side elevation view of the second barrel embodiment is a mirror image of FIG. 11.

FIG. 12 is a bottom plan view of the second barrel embodiment.

FIG. 13 is a front elevation view of the second barrel embodiment viewed from the muzzle end of the barrel.

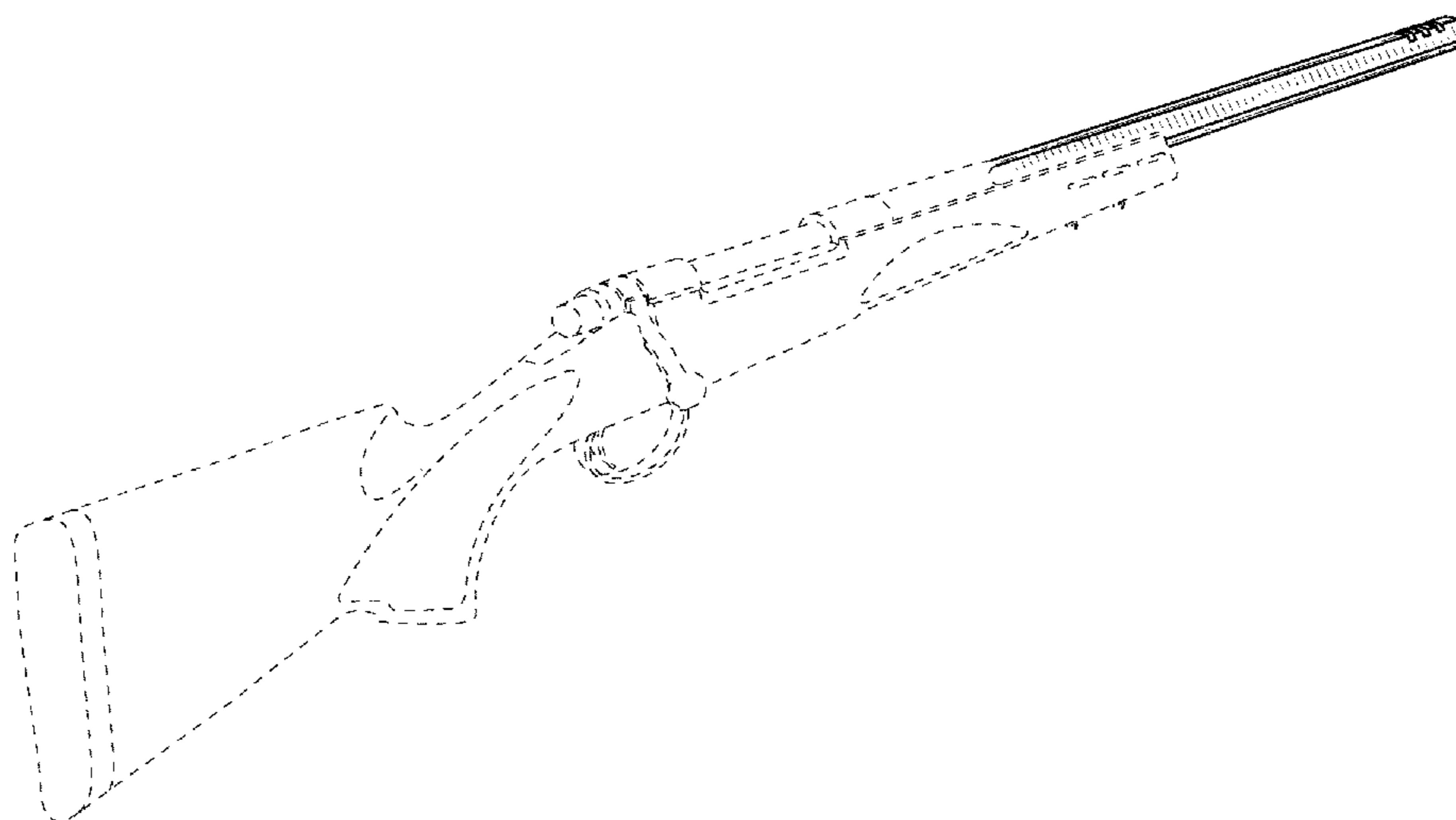
FIG. 14 is a rear elevation view of the second barrel embodiment viewed from the breech end of the barrel.

FIG. 15 is a cross-sectional view of the second barrel embodiment taken on line 15—15 in FIG. 9; and,

FIG. 16 is a greatly enlarged front perspective view of a portion of the second embodiment of a barrel.

The broken lines are shown herein for illustrating environmental features that form no part of the claimed design.

1 Claim, 6 Drawing Sheets



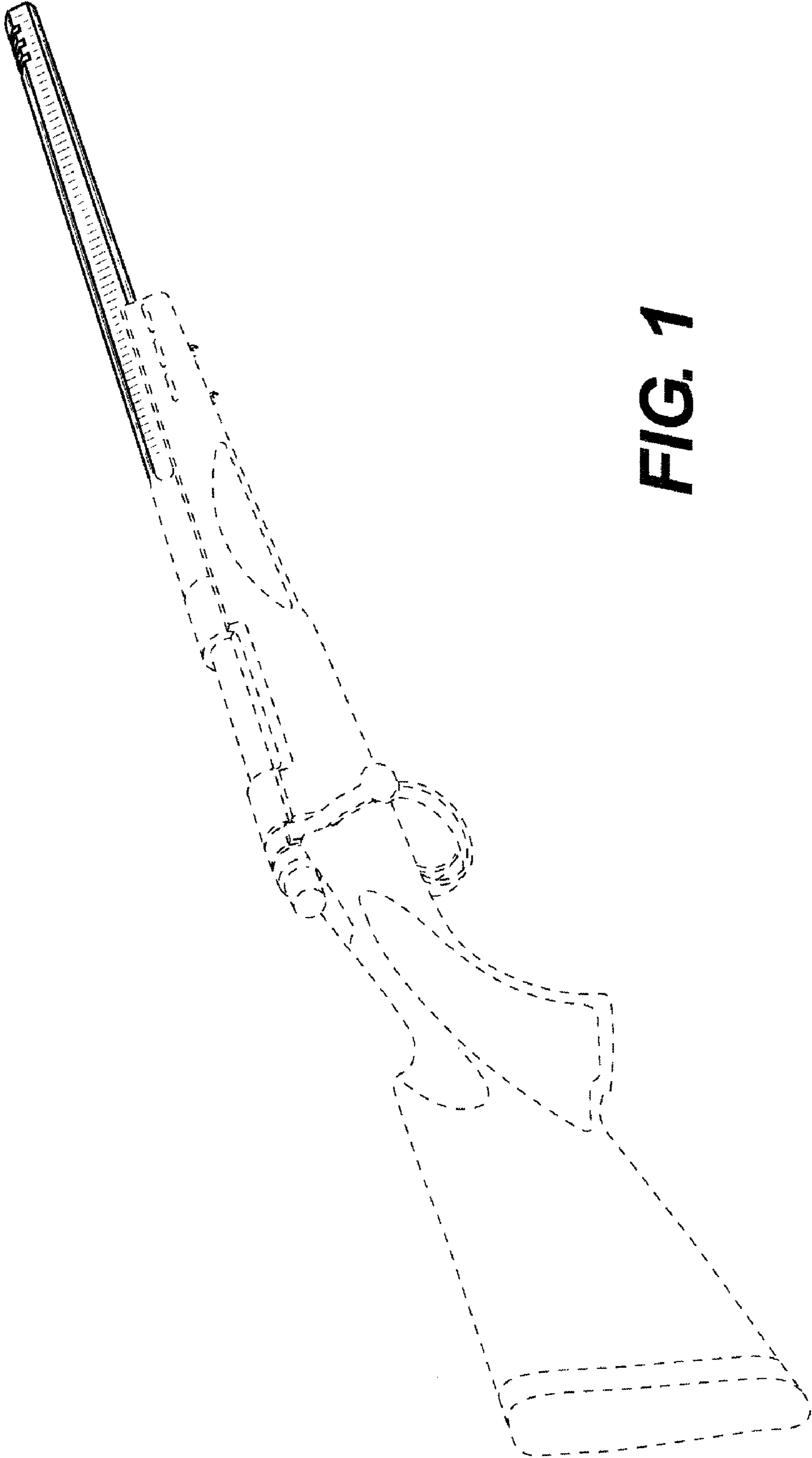


FIG. 1

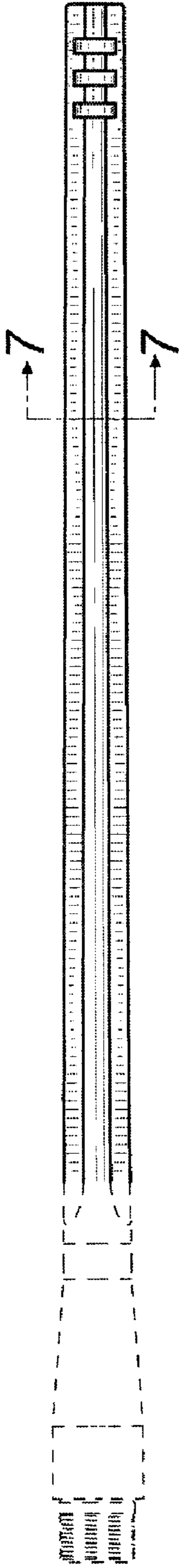


FIG. 2

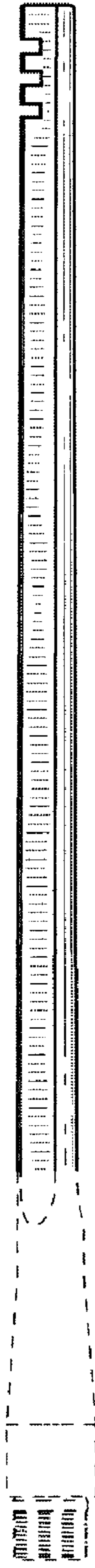


FIG. 3

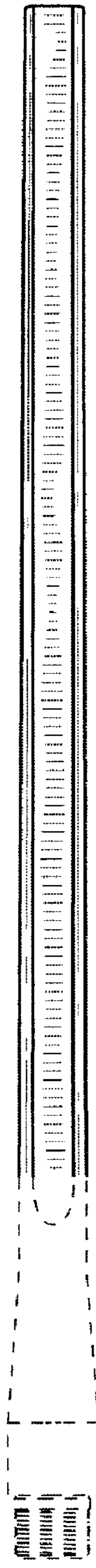


FIG. 4



FIG. 5



FIG. 6



FIG. 7

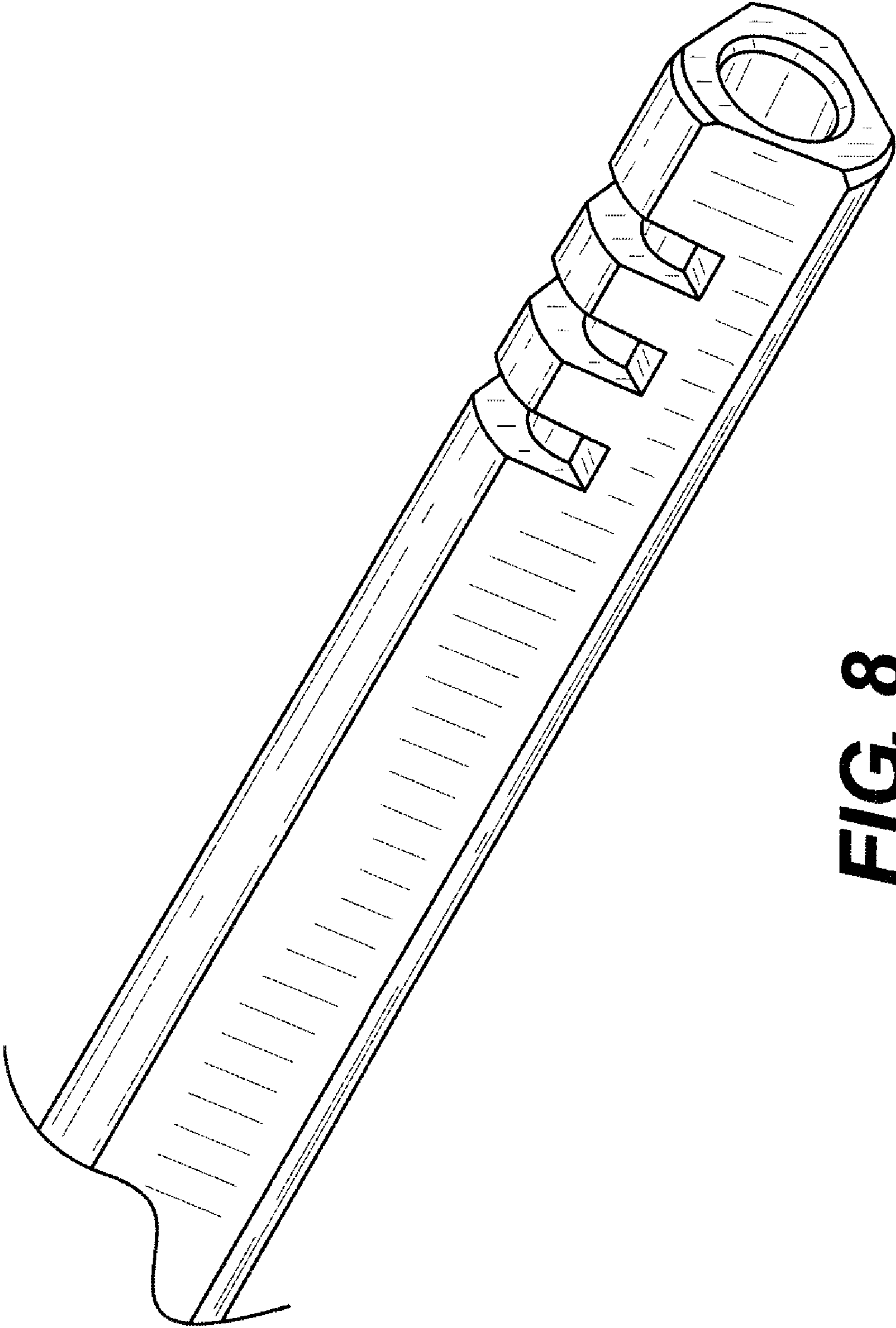


FIG. 8

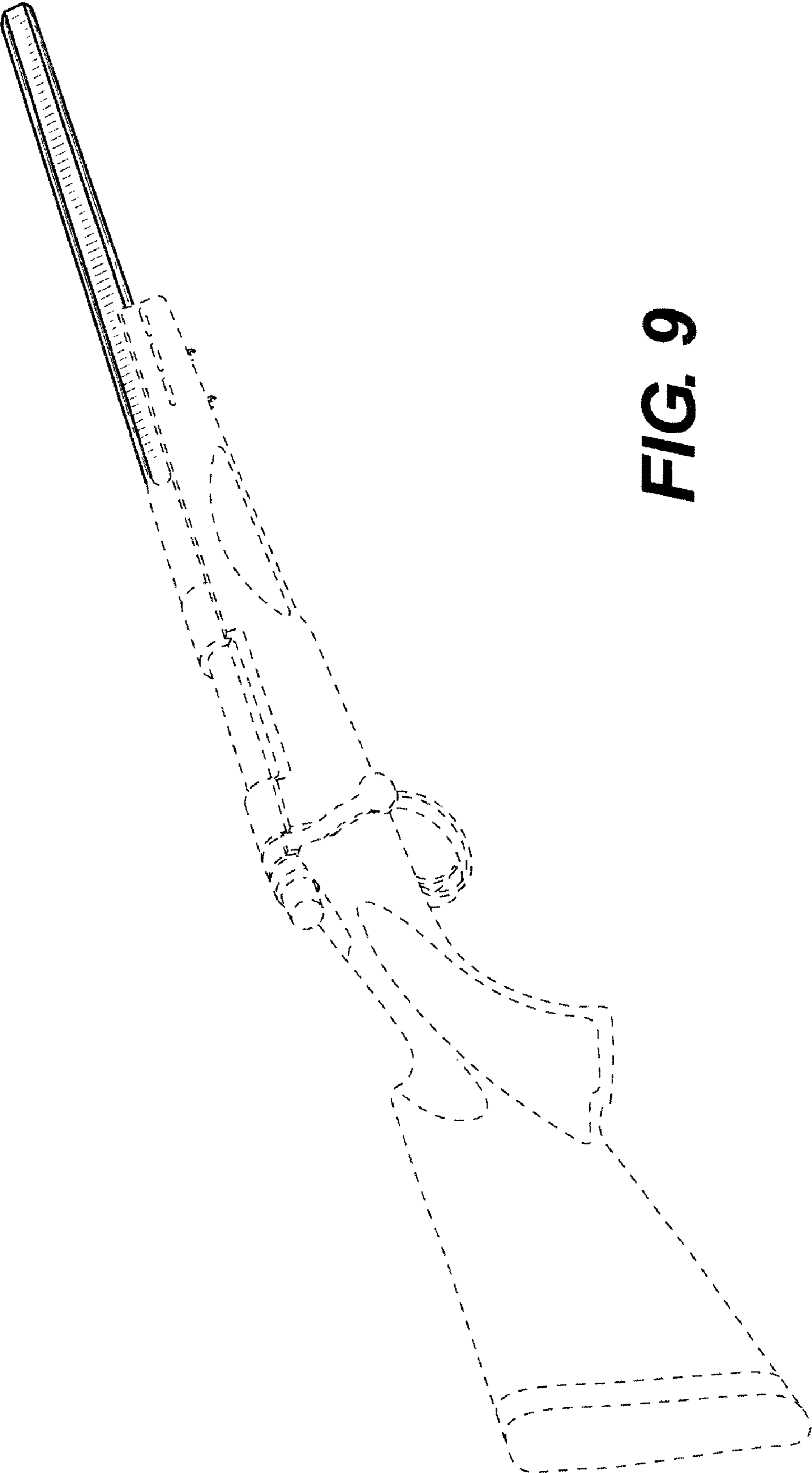


FIG. 9

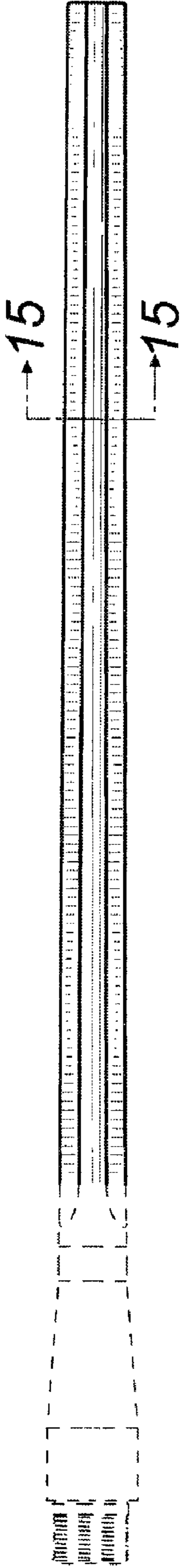


FIG. 10

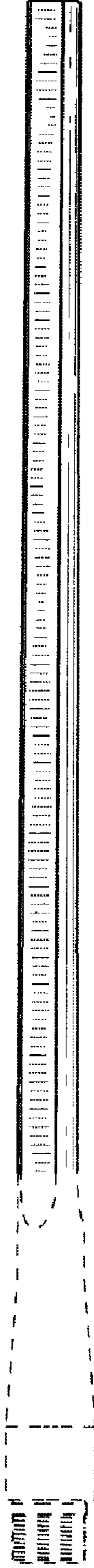


FIG. 11



FIG. 12



FIG. 13



FIG. 14



FIG. 15

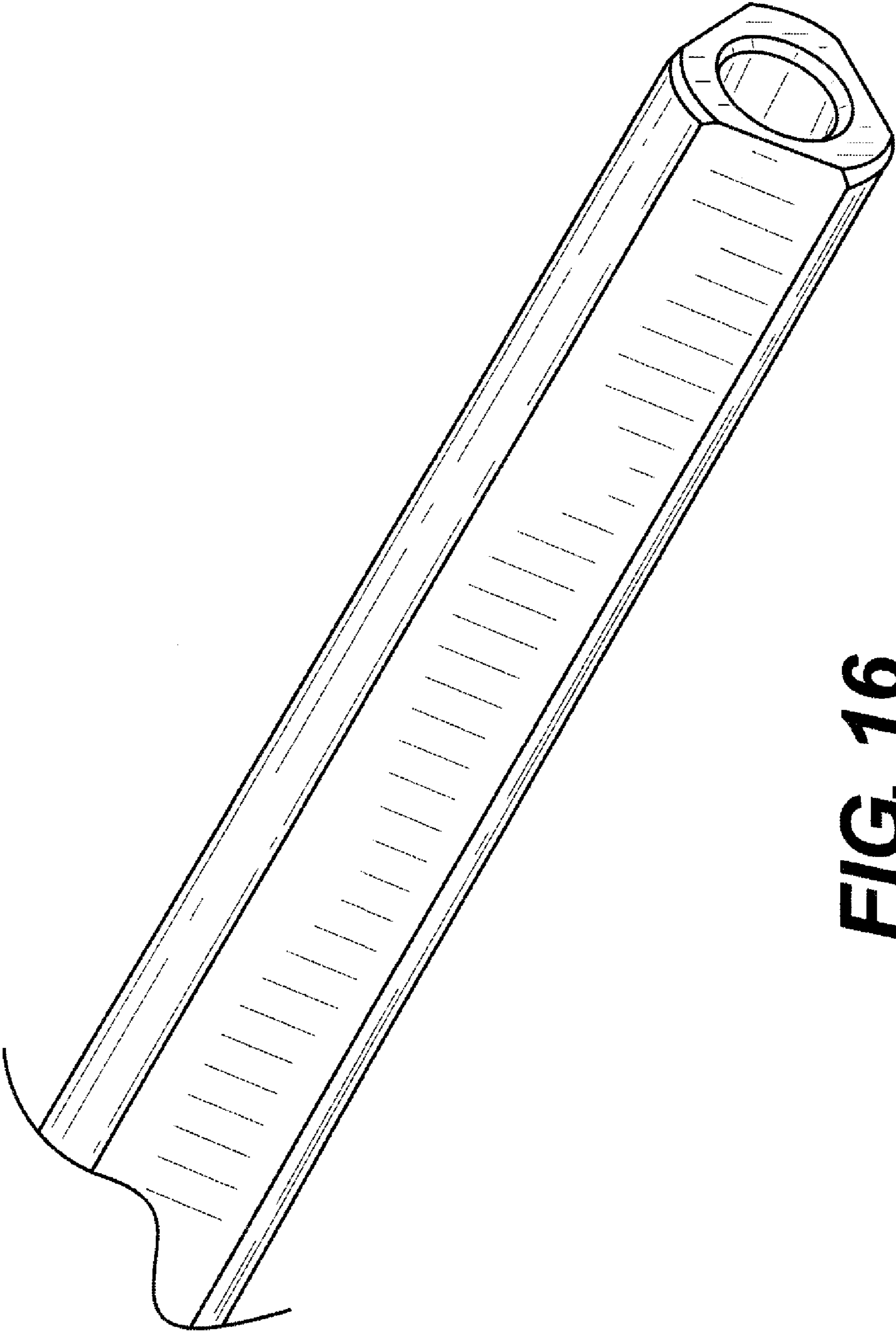


FIG. 16