

US00D598515S

(12) **United States Design Patent**
Blair et al.

(10) **Patent No.:** **US D598,515 S**

(45) **Date of Patent:** **** Aug. 18, 2009**

(54) **BILLIARD TABLE BANDING**

(75) Inventors: **Jesse Nicholas Stanford Blair**,
Whitefish Bay, WI (US); **Adam W. Callif**,
Chicago, IL (US); **Joseph M. MacCarthy**,
Oakland, CA (US); **John Zebley**,
Saratoga Springs, UT (US)

(73) Assignee: **Brunswick Bowling & Billiards Corporation**,
Lake Forest, IL (US)

(**) Term: **14 Years**

(21) Appl. No.: **29/292,167**

(22) Filed: **Sep. 26, 2007**

(51) **LOC (9) Cl.** **06-03**

(52) **U.S. Cl.** **D21/784**

(58) **Field of Classification Search** D21/782-784;
D6/329, 360, 491-496, 422, 423, 428; 473/1,
473/4, 6, 7, 8, 9, 17, 19, 28, 31, 33; 273/236;
248/127, 158, 161, 188, 188.1, 188.8, 346.01,
248/346.02

See application file for complete search history.

(56) **References Cited**

U.S. PATENT DOCUMENTS

D5,322 S	10/1871	Griffith	
D6,469 S	3/1873	Collender	
156,389 A	10/1874	Stiles	
373,016 A	11/1887	Daugherty	
572,688 A	12/1896	Seifert	
1,509,144 A	9/1924	Harmet	
1,535,926 A	4/1925	Leone	
1,547,996 A	7/1925	Drost et al.	
1,568,154 A	1/1926	Hannon et al.	
D85,561 S	11/1931	Toce	
D85,572 S	11/1931	Burnstine	
2,008,613 A	7/1935	Hernes	
2,174,613 A	10/1939	Blaschke	
D145,787 S	10/1946	Collender	
D192,086 S *	1/1962	Reineman et al.	D21/784
D208,257 S *	8/1967	Kotler	D21/784

D215,220 S	9/1969	Eide	
3,881,727 A	5/1975	Olson	
4,010,949 A	3/1977	Lee	
D257,469 S	10/1980	Moore	
D257,684 S	12/1980	Moore	
4,474,374 A	10/1984	Lewis et al.	
4,909,507 A	3/1990	McKnown	
D332,293 S	1/1993	Powers	
D348,298 S *	6/1994	Fitzhugh	D21/784
D348,916 S	7/1994	Powers	
D349,742 S	8/1994	Tyne	
5,451,187 A	9/1995	Brinkley	
D408,487 S	4/1999	McCormick et al.	
D408,488 S	4/1999	McCormick et al.	

(Continued)

OTHER PUBLICATIONS

“Gold Crown,” Brunswick Billiards, Inc., 1 page, 2004.

(Continued)

Primary Examiner—Prabhakar Deshmukh
(74) *Attorney, Agent, or Firm*—Brinks Hofer Gilson & Lione

(57) **CLAIM**

The ornamental design for a billiard table banding, as shown and described.

DESCRIPTION

FIG. 1 is a perspective view of a billiard table banding showing our new design;

FIG. 2 is a top plan view thereof;

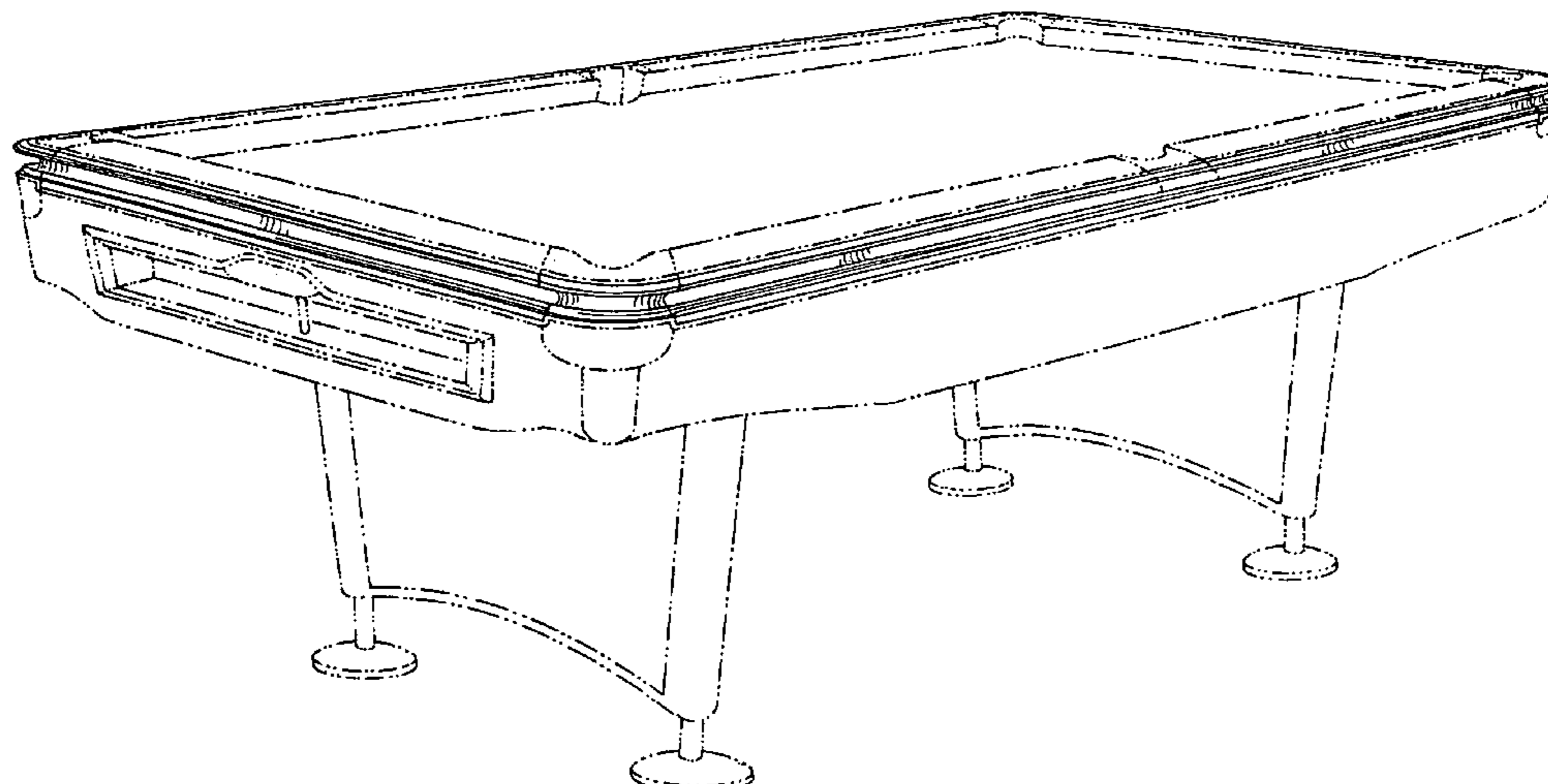
FIG. 3 is a side view thereof.

FIG. 4 is a front elevational view thereof; and,

FIG. 5 is a bottom plan view thereof.

The broken lines, which define the bounds of the claimed design, form no part thereof. The broken lines environmental are for illustrative purposes only and form no part of the claimed design.

1 Claim, 4 Drawing Sheets



US D598,515 S

Page 2

U.S. PATENT DOCUMENTS

D418,185 S 12/1999 McCormick et al.
6,102,808 A * 8/2000 Wong 473/12
6,149,530 A * 11/2000 Shih 473/22
D443,012 S 5/2001 Baker
D443,325 S 6/2001 Baker
D473,278 S 4/2003 McCormick et al.
D489,784 S 5/2004 Foley
D491,245 S 6/2004 Newhouse
D494,241 S 8/2004 Moore, Sr.
D494,242 S 8/2004 McCormick
D495,766 S 9/2004 Moore, Sr.
D500,543 S 1/2005 Stein
6,866,590 B2 3/2005 Tucker
D505,173 S 5/2005 Foley
D507,322 S 7/2005 Hobbs et al.
D510,824 S 10/2005 Moore, Sr.
2002/0074299 A1 6/2002 Zummo
2003/0134683 A1 * 7/2003 Shih 473/33
2004/0029644 A1 * 2/2004 Shih 473/15
2004/0224780 A1 * 11/2004 Nagle 473/2

2005/0221902 A1 * 10/2005 Chen 473/4

OTHER PUBLICATIONS

“Gold Crown IV Features,” Brunswick Billiards, Inc., http://www.brunswickbilliards.com/brunswick_collection/tables/competition/gold_crown_iv_features.html, 1 page, 2007.
“Gold Crown IV,” Brunswick Billiards, Inc., http://www.brunswickbilliards.com/brunswick_collection/tables/competition/gold_crown_iv.html, 1 page, 2007.
Notice of Allowance for U.S. Appl. No. 29/292,168, 7 pages, Feb. 17, 2009.
Office Action directed against U.S. Appl. No. 29/292,165, 10 pages, Feb. 23, 2009.
Office Action directed against U.S. Appl. No. 29/292,166, 6 pages, Feb. 12, 2009.
Office Action directed against U.S. Appl. No. 29/292,164, 9 pages, Feb. 13, 2009.
Notice of Allowance for U.S. Appl. No. 29/292,169, 6 pages, Feb. 17, 2009.
Office Action directed against U.S. Appl. No. 29/292,169, 6 pages, Apr. 20, 2009.
“Gold Crown IV,” Brunswick Billiards, Inc., http://www.brunswickbilliards.com/brunswick_collection/tables/competition/gold_crown_iv_room.html, 1 page, 2007.

* cited by examiner

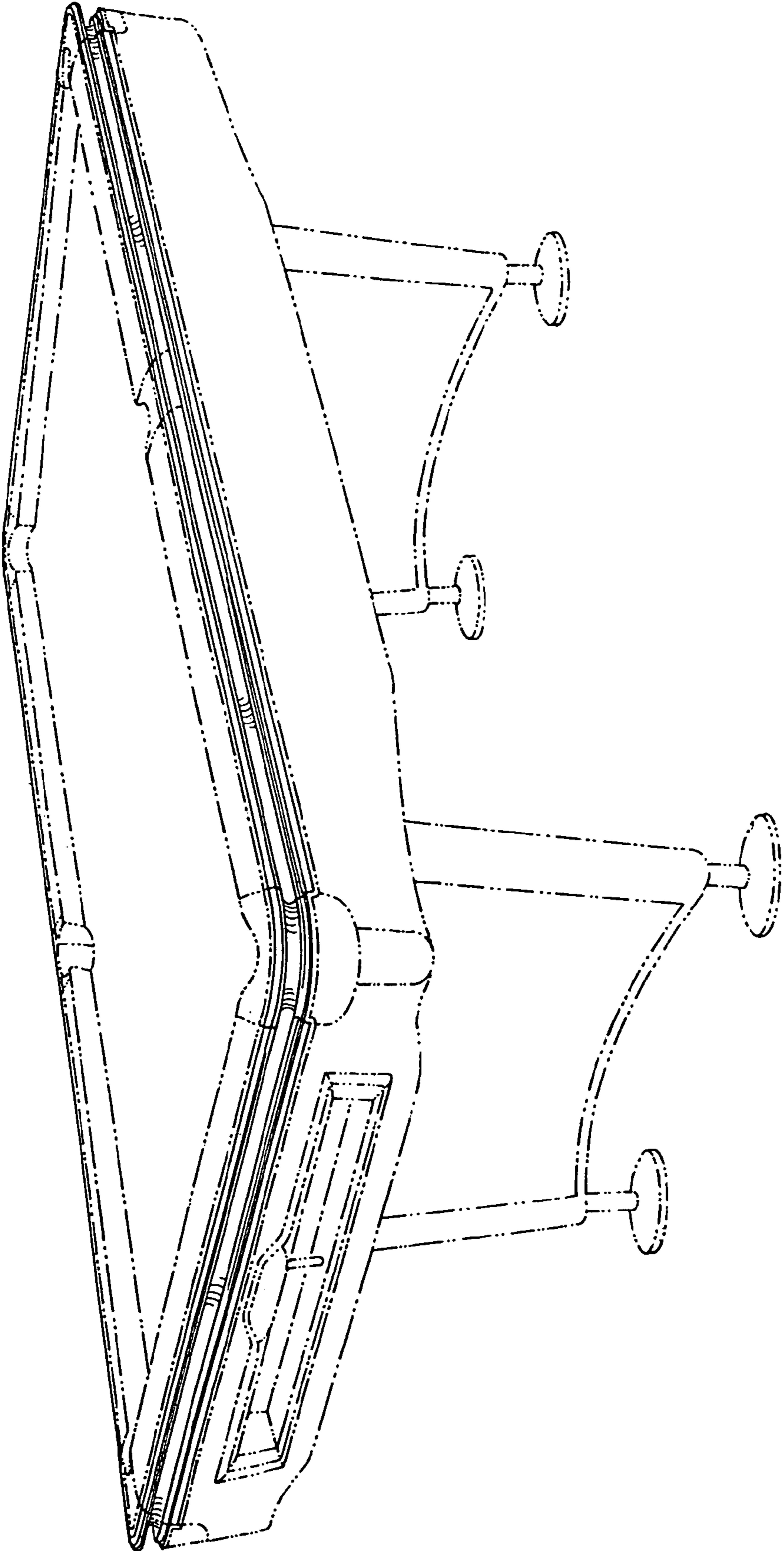


Fig. 1

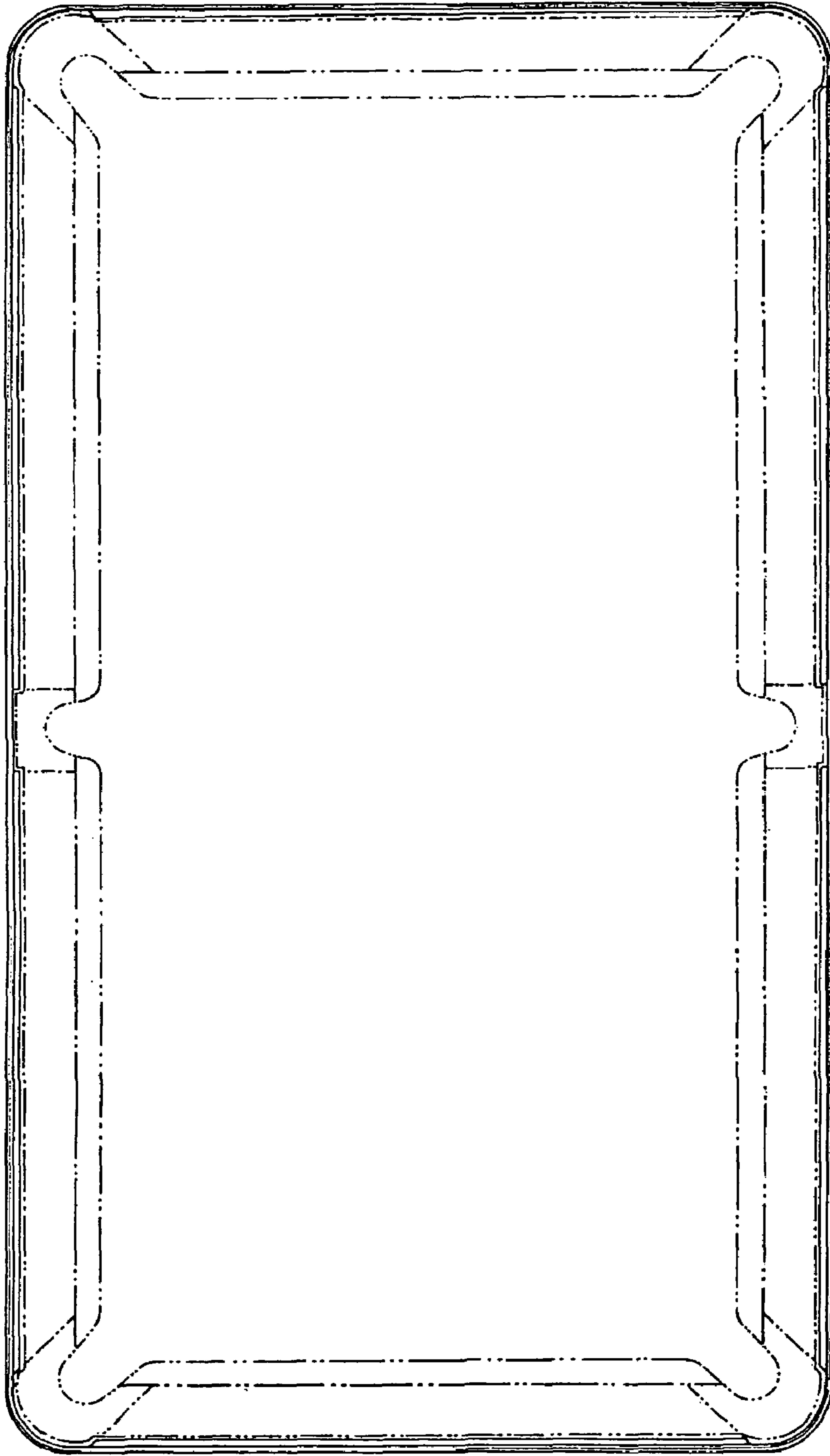


Fig. 2

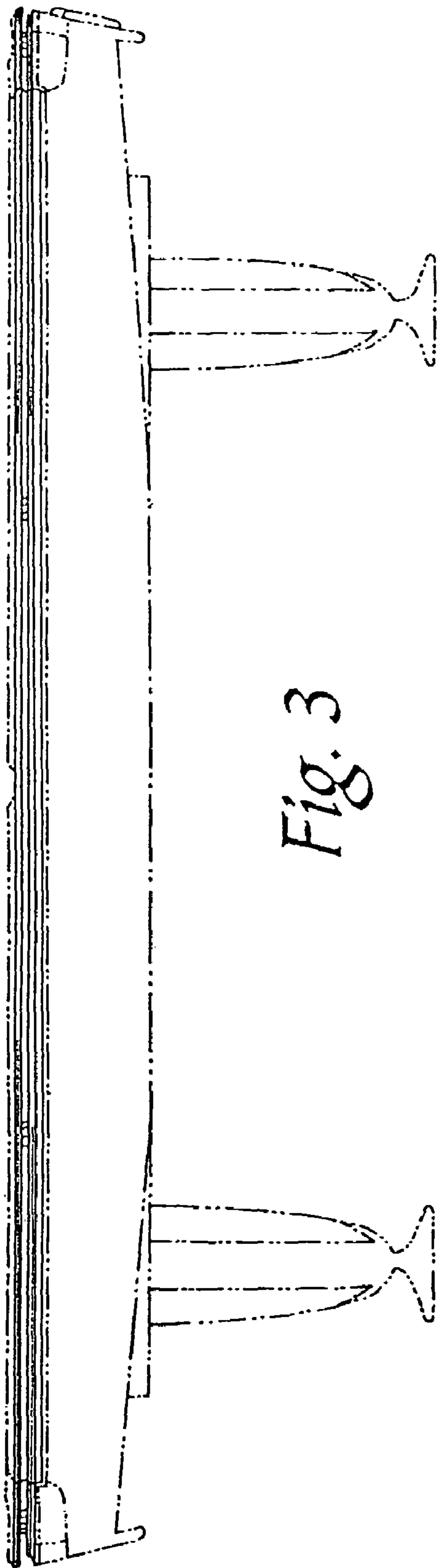


Fig. 3

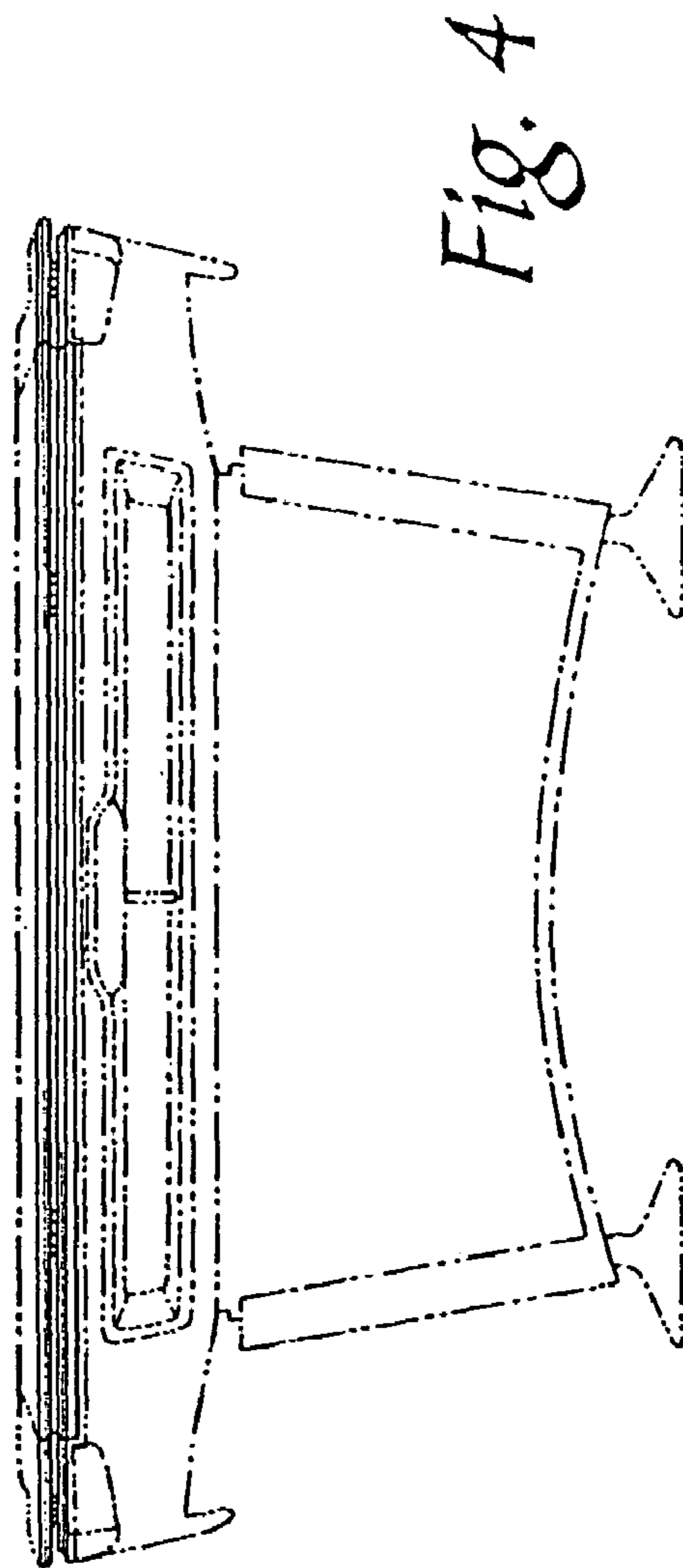


Fig. 4

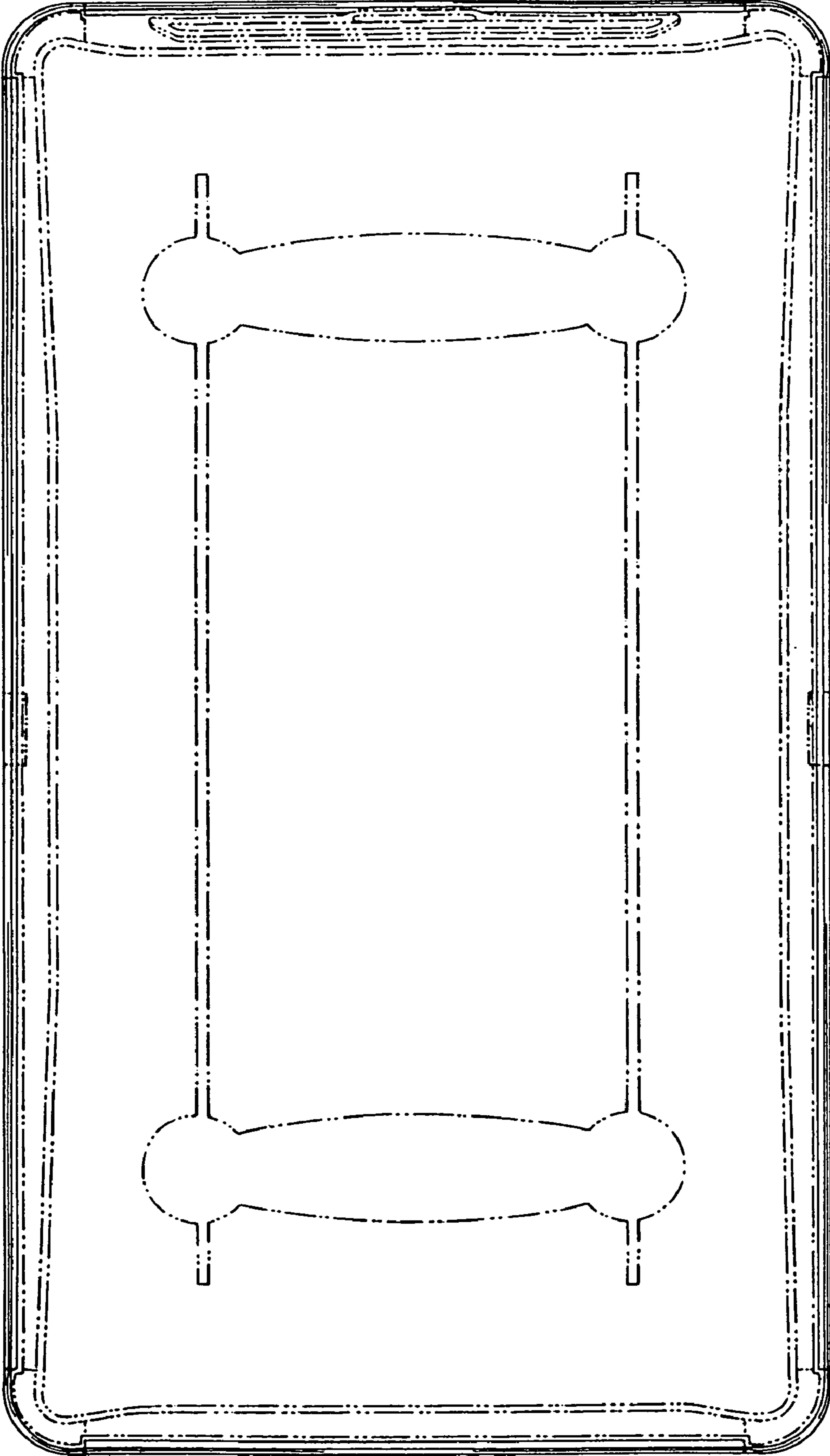


Fig. 5