



US00D598514S

(12) **United States Design Patent**
Walworth

(10) **Patent No.:** **US D598,514 S**

(45) **Date of Patent:** **** Aug. 18, 2009**

(54) **BODYBOARD WITH INTEGRATED COMPARTMENT**

Primary Examiner—Janice E Seeger
Assistant Examiner—Zenia I Bennett

(76) **Inventor:** **Christopher J. Walworth**, 3400 Ave. of the Arts, Apt. J-213, Costa Mesa, CA (US) 92626

(57) **CLAIM**

I claim the ornamental design for a bodyboard with integrated compartment, as shown and described.

(**) **Term:** **14 Years**

(21) **Appl. No.:** **29/302,146**

DESCRIPTION

(22) **Filed:** **Jan. 11, 2008**

FIG. 1 is an assembled drawing of the bodyboard with integrated compartment showing my new design;

(51) **LOC (9) Cl.** **21-02**

FIG. 2 is a back to front view thereof;

(52) **U.S. Cl.** **D21/769**

FIG. 3 is a cross sectional view showing exploded components thereof;

(58) **Field of Classification Search** D21/769–770, D21/801, 803, 809; D6/392, 596, 601, 604; 472/128–129; D12/5, 6, 316; 114/253, 345–346; 441/35, 66, 40–42, 129–132

FIG. 4 is a cross sectional view showing exploded components from a different perspective thereof;

See application file for complete search history.

FIG. 5 is a back view thereof;

(56) **References Cited**

U.S. PATENT DOCUMENTS

FIG. 6 is a front view thereof;

D220,979 S *	6/1971	Belik	D12/11
D285,474 S *	9/1986	Tosch	D21/809
D377,072 S *	12/1996	Ilejay	D21/769
D389,546 S *	1/1998	Stewart	D21/769
D410,515 S *	6/1999	Alexander	D21/769
D463,003 S *	9/2002	Alexander	D21/769
D476,266 S *	6/2003	Fitzgerald	D12/11
D503,763 S *	4/2005	Morgan	D21/769

FIG. 7 is a right side view thereof;

FIG. 8 is a left-facing view thereof;

FIG. 9 is an enlarged cross sectional exploded view detailing the integrated compartment thereof;

FIG. 10 is a top view thereof with the integrated compartment door closed; and,

FIG. 11 is a bottom view thereof.

* cited by examiner

1 Claim, 5 Drawing Sheets

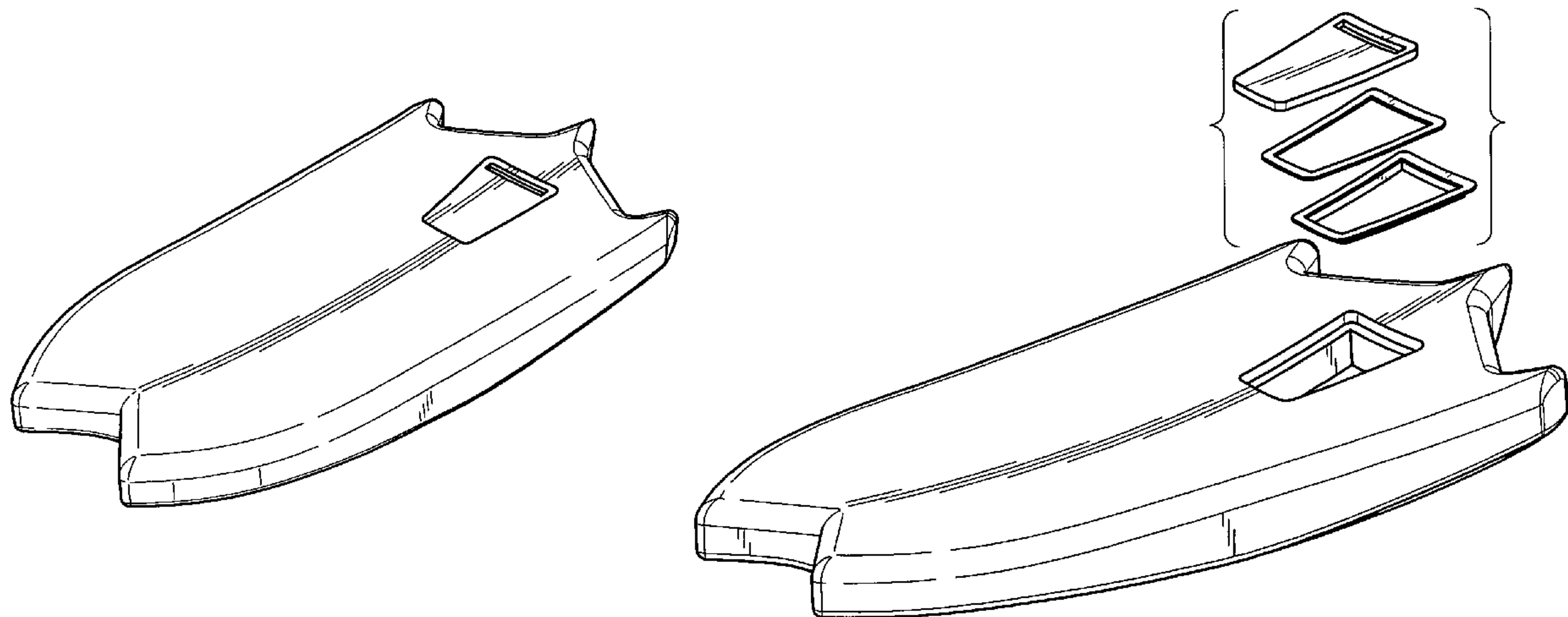


FIG. 1

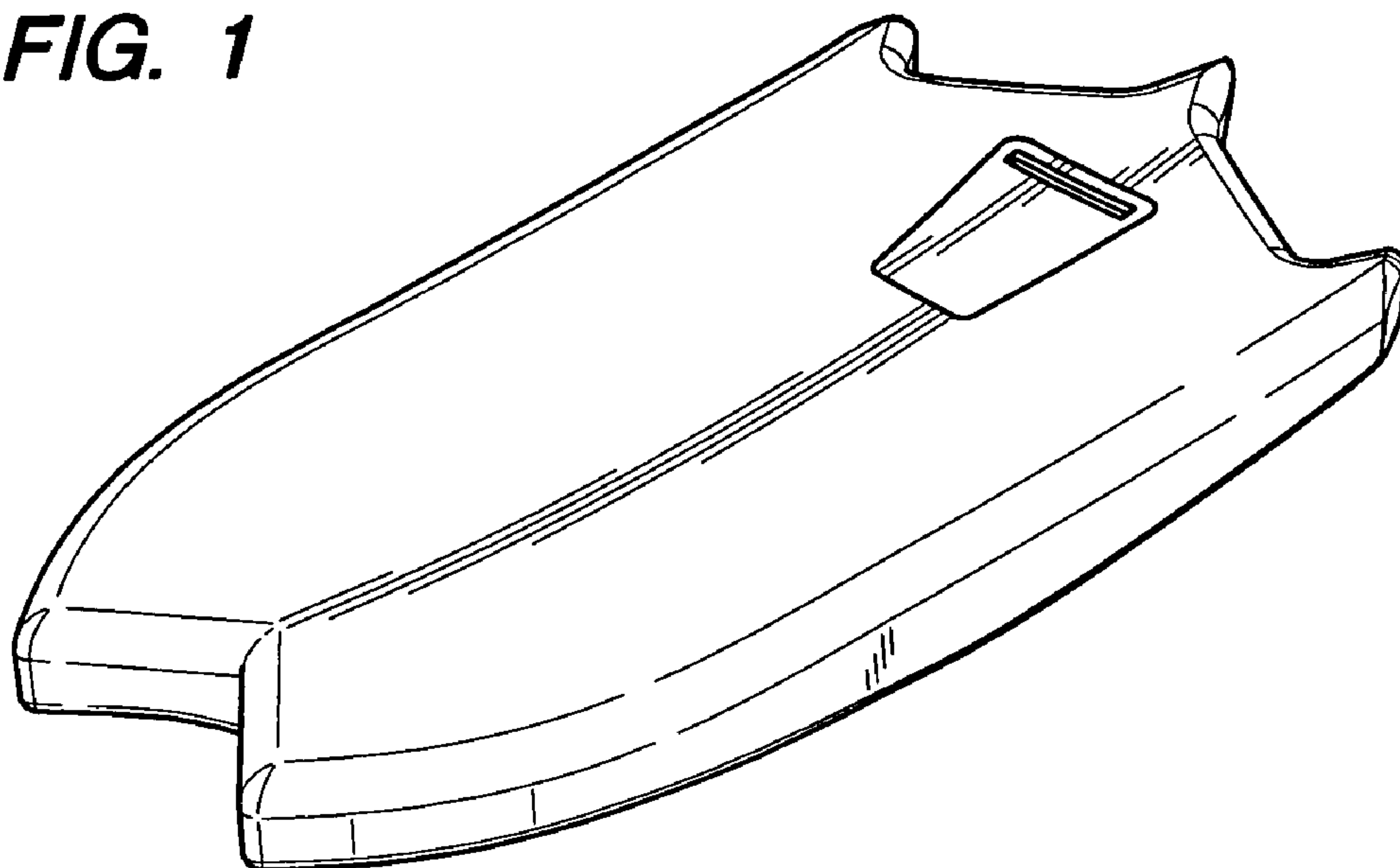


FIG. 2

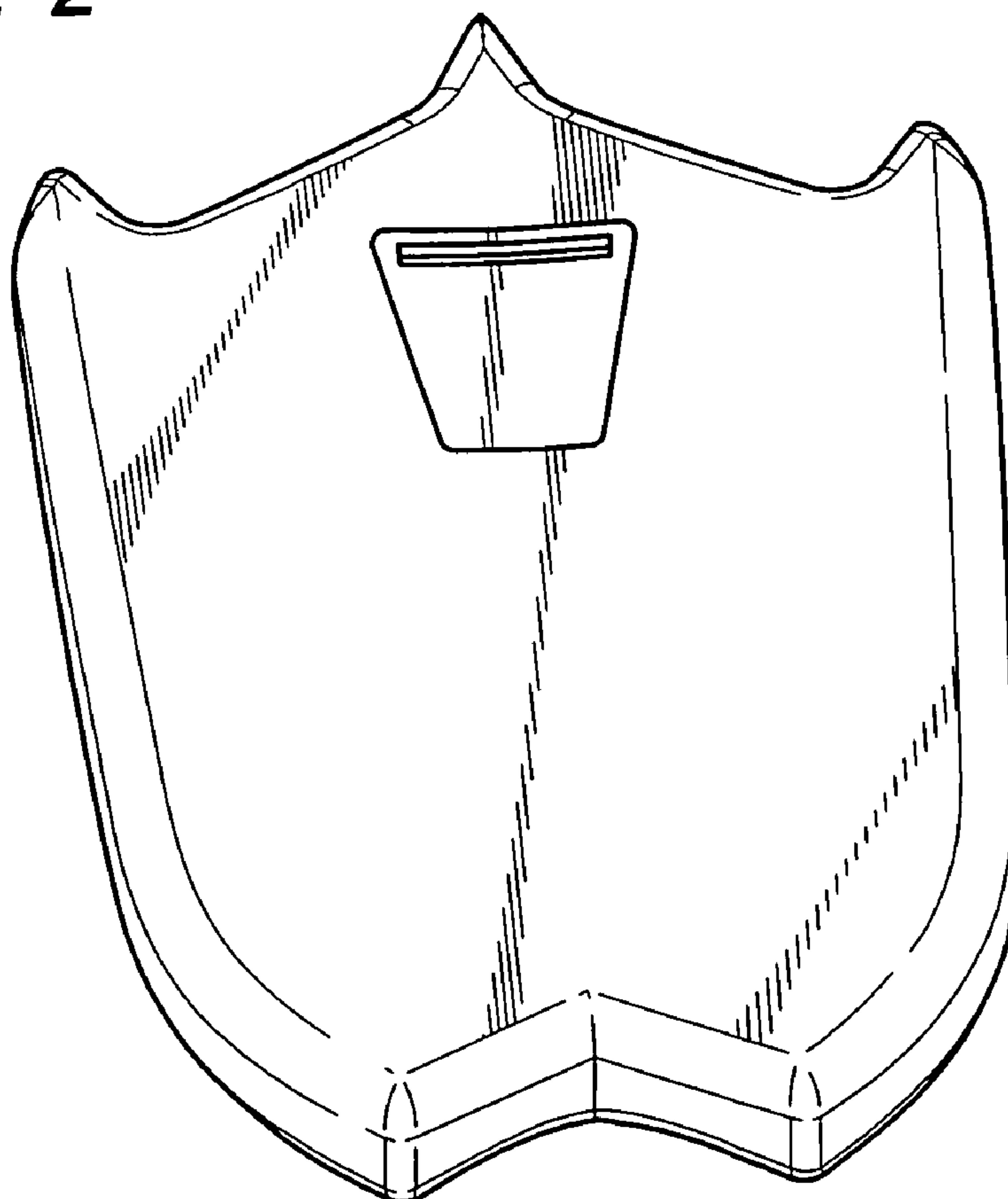


FIG. 3

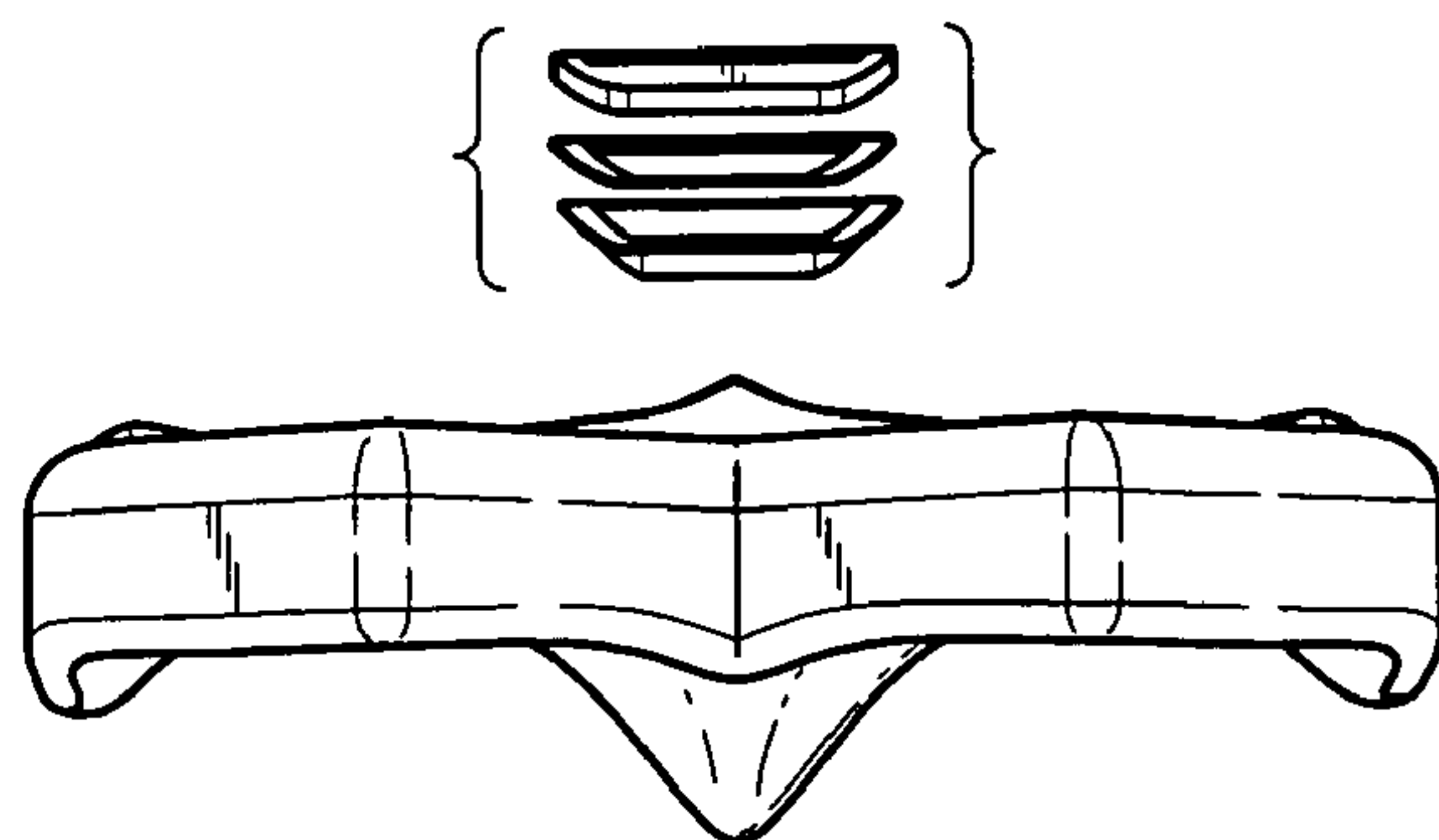


FIG. 4

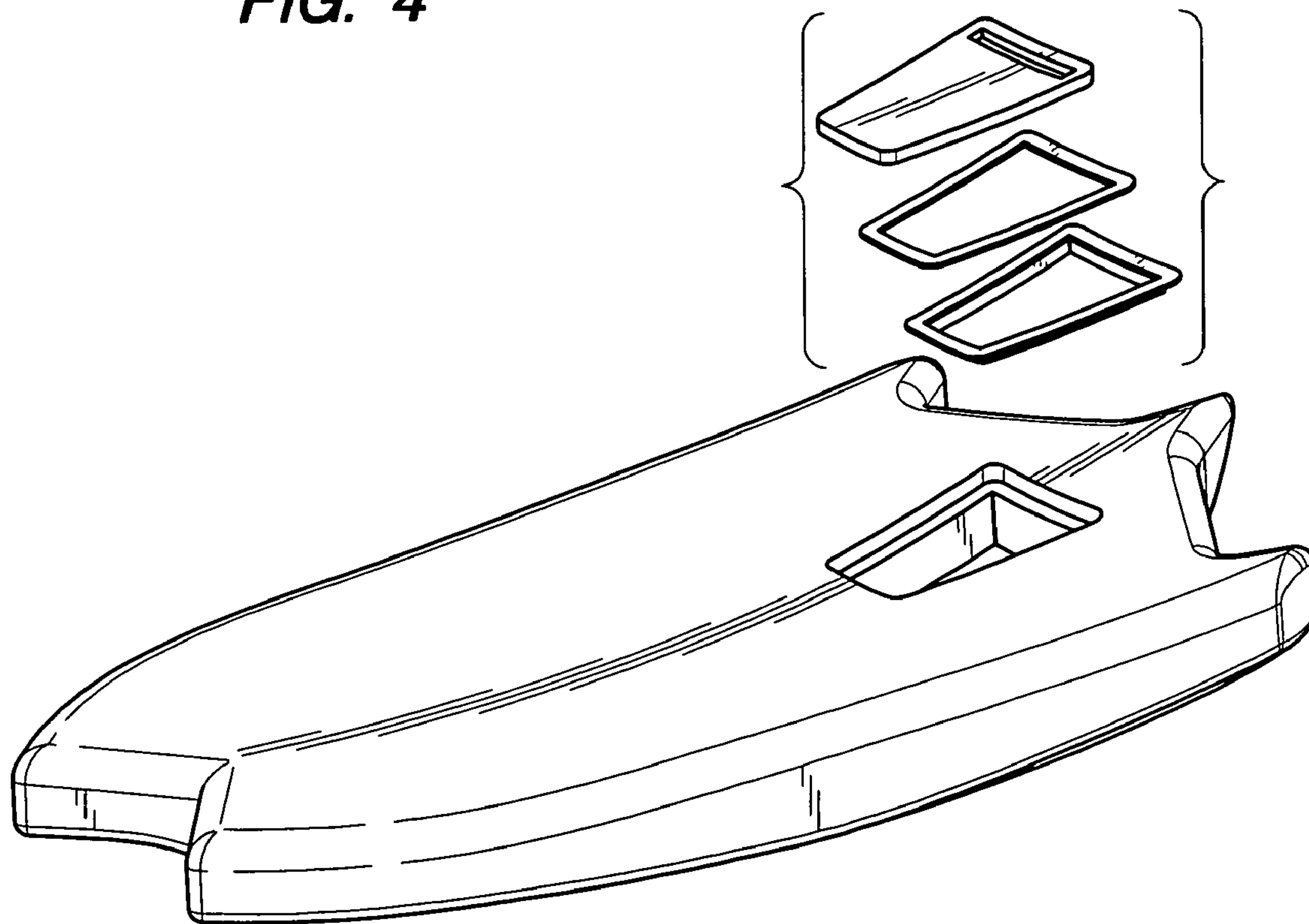


FIG. 5

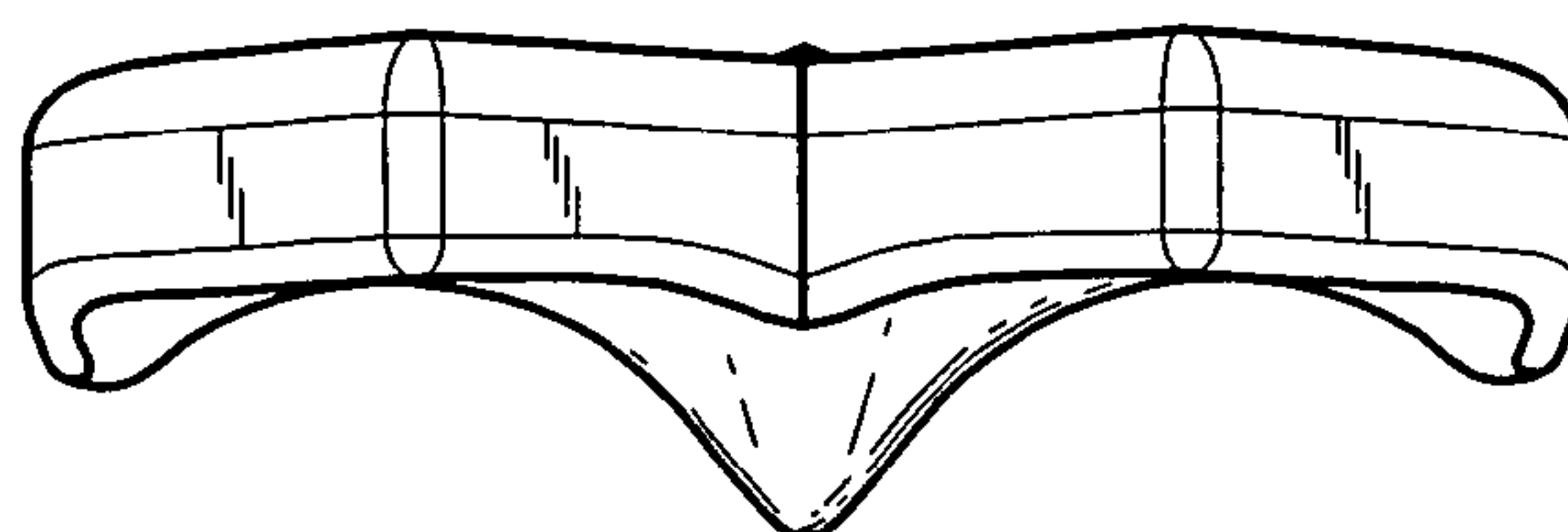


FIG. 6

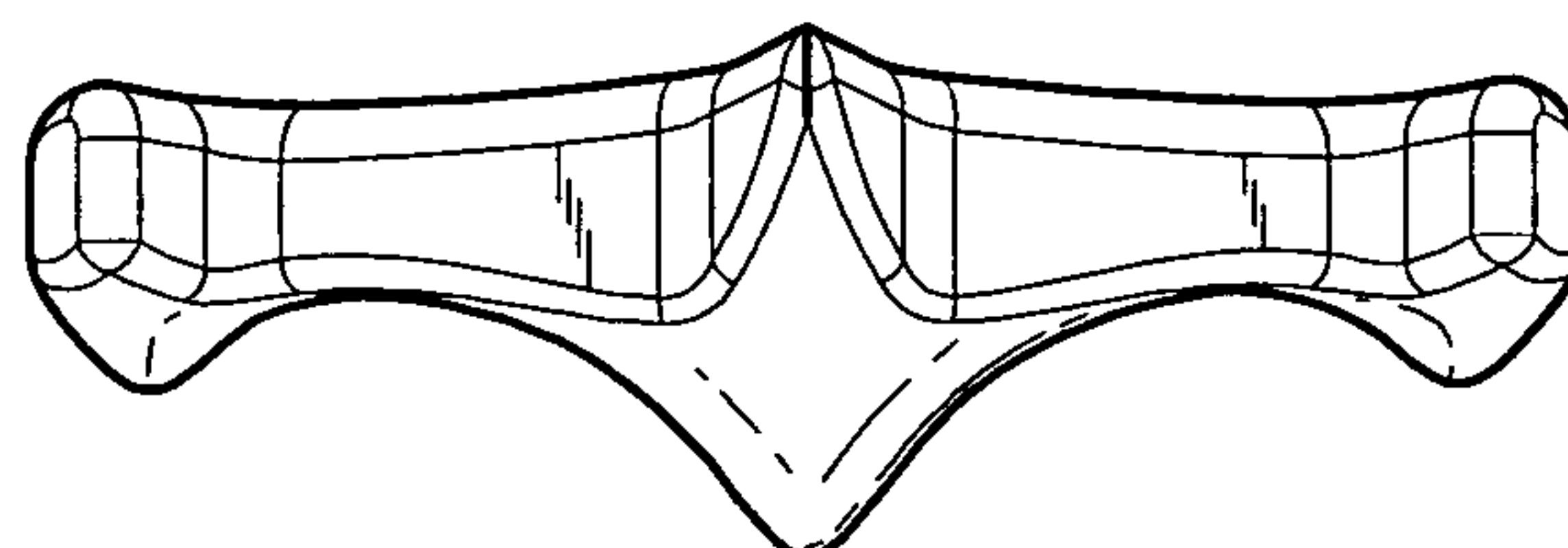


FIG. 7

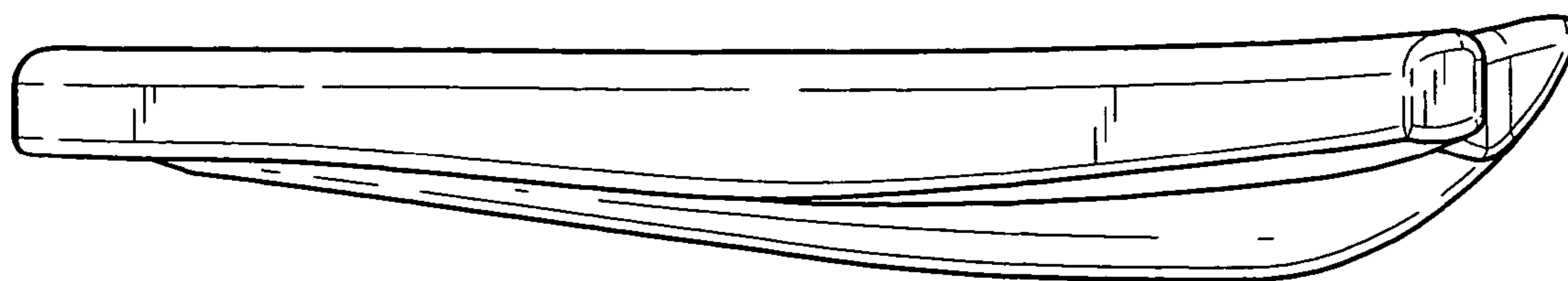


FIG. 8

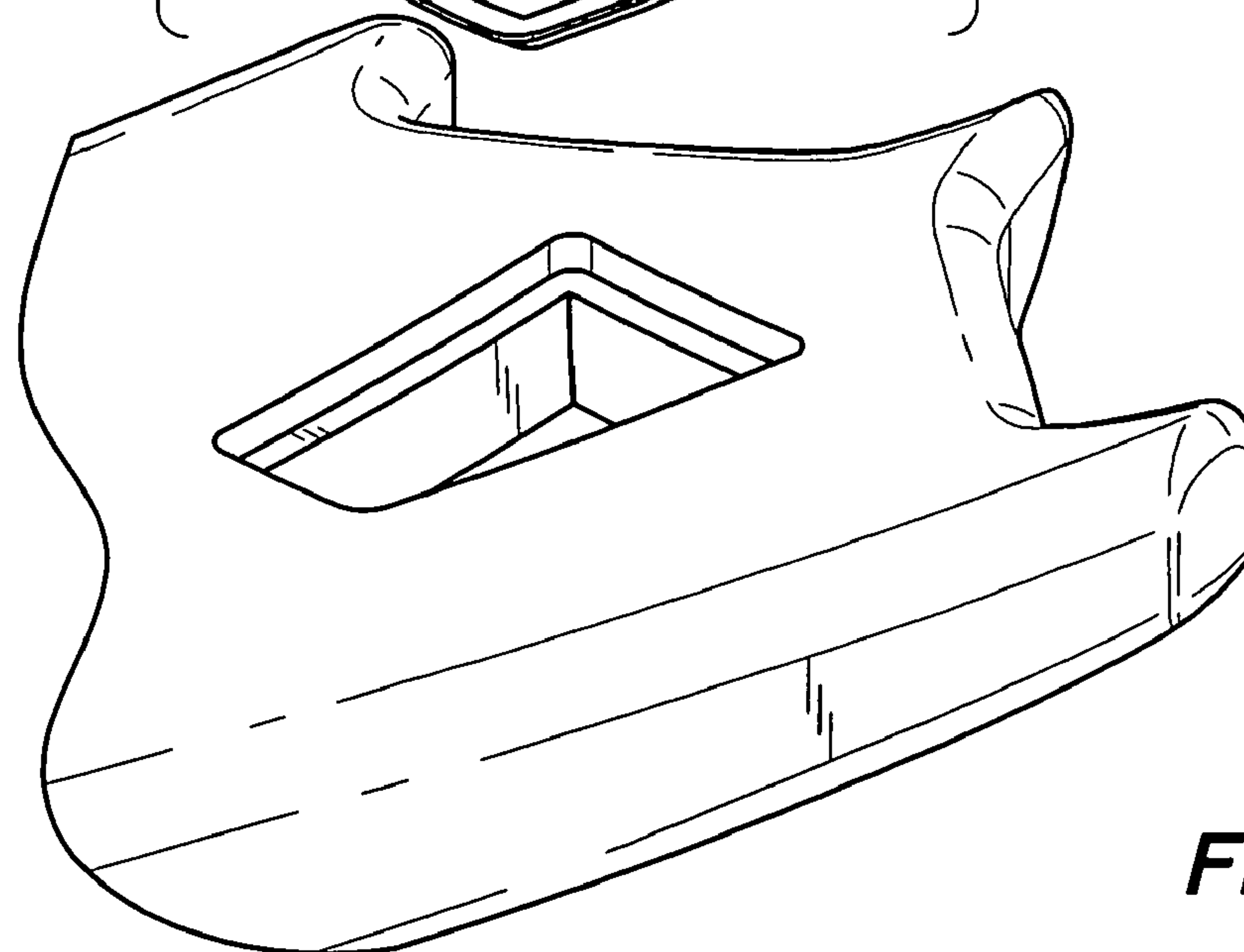
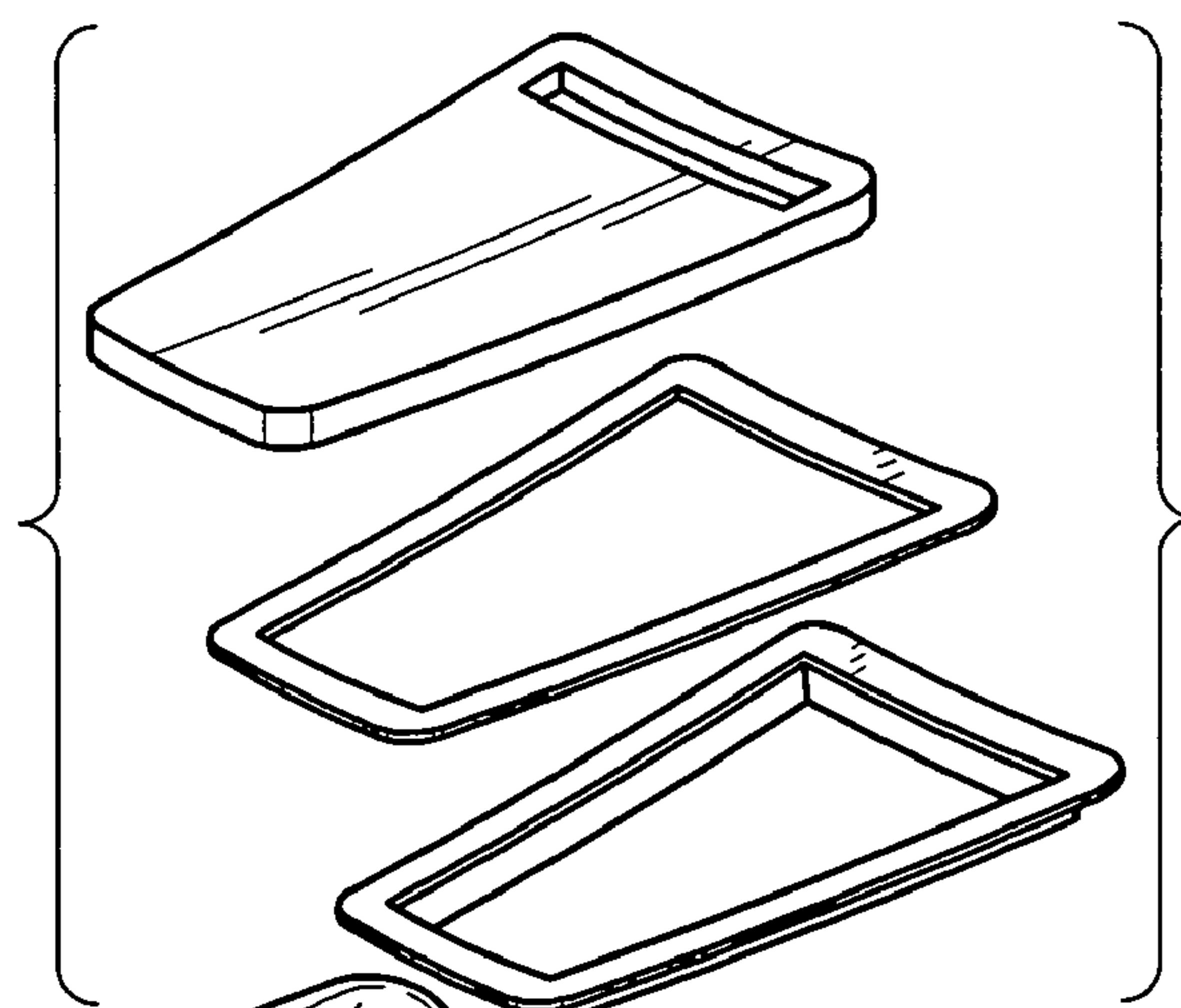
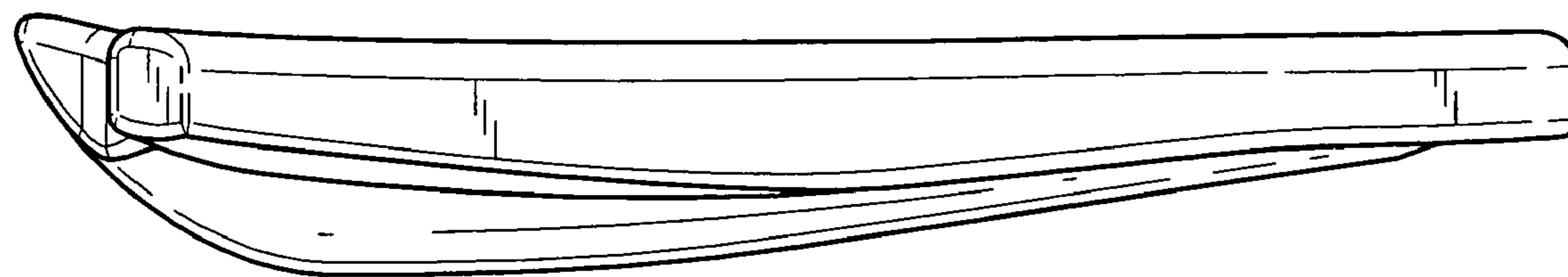


FIG. 9

FIG. 10

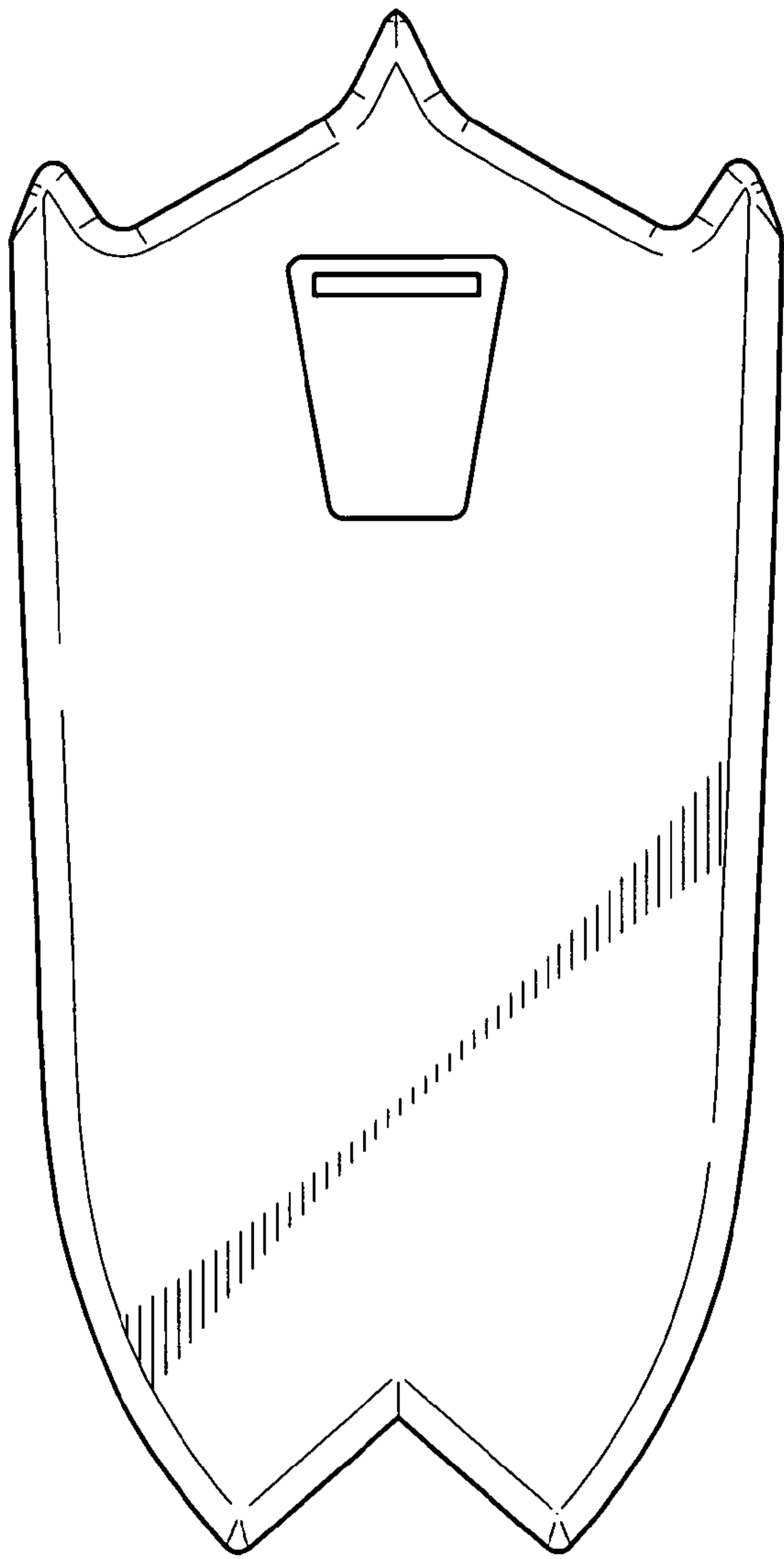


FIG. 11