



US00D598506S

(12) **United States Design Patent**
Schieltz

(10) **Patent No.:** **US D598,506 S**

(45) **Date of Patent:** **** Aug. 18, 2009**

(54) **TOY ANIMAL CHUTE**

(76) **Inventor:** **Karen Schieltz**, 19796 Route 136, New Vienna, IA (US) 52065

(**) **Term:** **14 Years**

(21) **Appl. No.:** **29/326,434**

(22) **Filed:** **Oct. 17, 2008**

(51) **LOC (9) Cl.** **21-01**

(52) **U.S. Cl.** **D21/561**

(58) **Field of Classification Search** D21/493,
D21/561, 565, 818; D34/5, 28; D12/105,
D12/106; 119/751, 752, 840, 843, 847, 848,
119/849; 446/444, 491; 472/116, 117; 282/35,
282/36

See application file for complete search history.

(56) **References Cited**

U.S. PATENT DOCUMENTS

1,782,554	A *	11/1930	Tool	119/849
3,621,602	A	11/1971	Barcus et al.		
D251,490	S *	4/1979	Cullen et al.	D12/105
4,519,789	A	5/1985	Halford et al.		
4,979,471	A *	12/1990	Hartshorn	119/751
D314,996	S *	2/1991	Olsen	D21/493
5,205,107	A *	4/1993	Herink	53/255
D381,173	S *	7/1997	Franklin	D34/28
D513,352	S *	12/2005	Weathers et al.	D34/5

D514,652	S *	2/2006	Auberger	D21/818
D558,850	S *	1/2008	Banta	D21/818
2005/0115522	A1 *	6/2005	Bishop	119/847

* cited by examiner

Primary Examiner—Holly H Baynham

Assistant Examiner—Cynthia M Chin

(74) *Attorney, Agent, or Firm*—Frenkel & Associates, P.C.

(57) **CLAIM**

The ornamental design for a toy animal chute, as described and shown.

DESCRIPTION

FIG. 1 is a top perspective view of the toy animal chute;

FIG. 2 is a bottom perspective view thereof;

FIG. 3 is a right side view thereof;

FIG. 4 is a left side view thereof;

FIG. 5 is a rear end view thereof;

FIG. 6 is a front end view thereof;

FIG. 7 is a bottom view thereof; and,

FIG. 8 is a top view thereof.

The broken lines showing the toy truck are for the purpose of illustrating environmental structure only and do not form part of the claimed design.

1 Claim, 3 Drawing Sheets

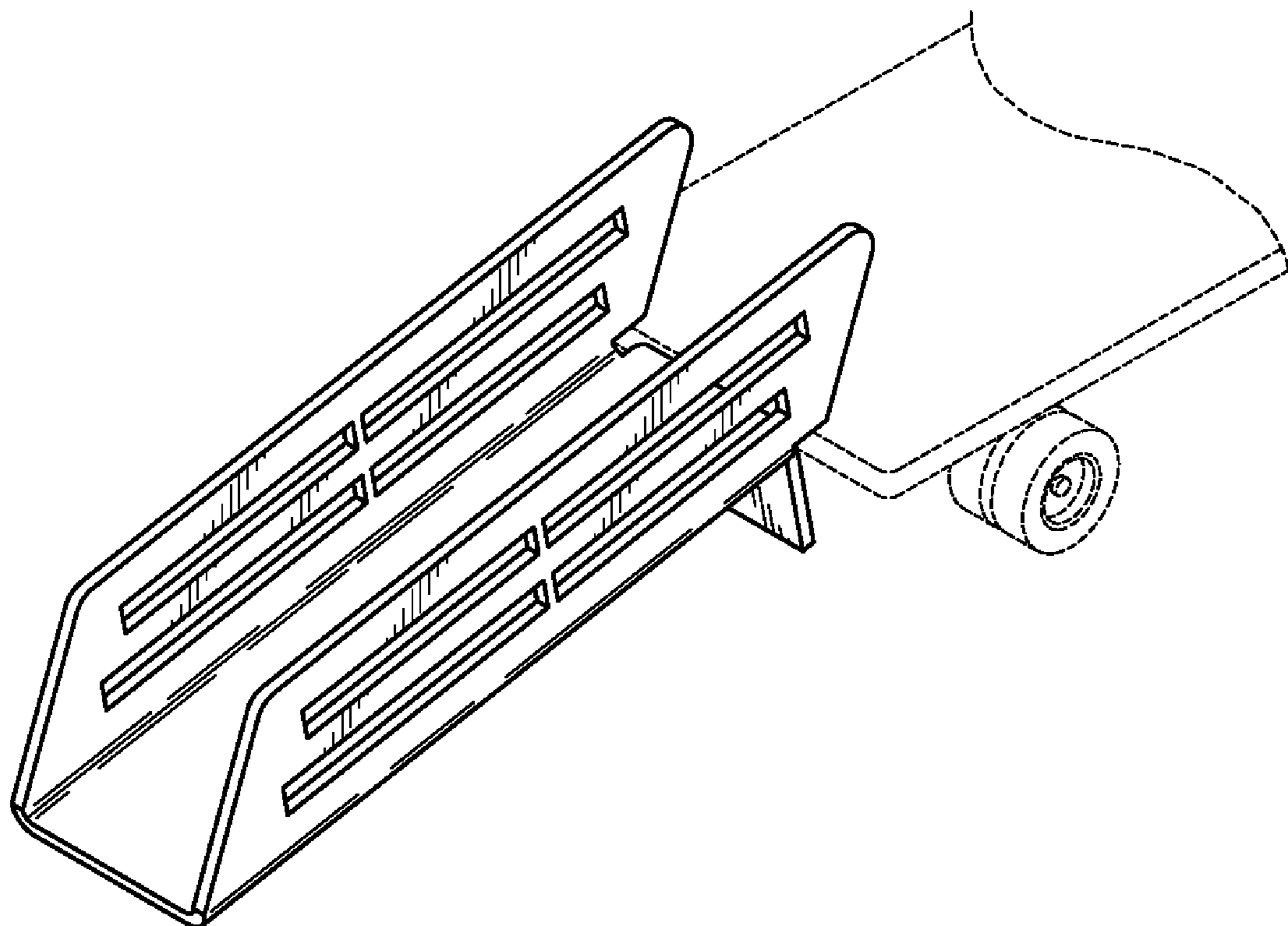


Fig. 1

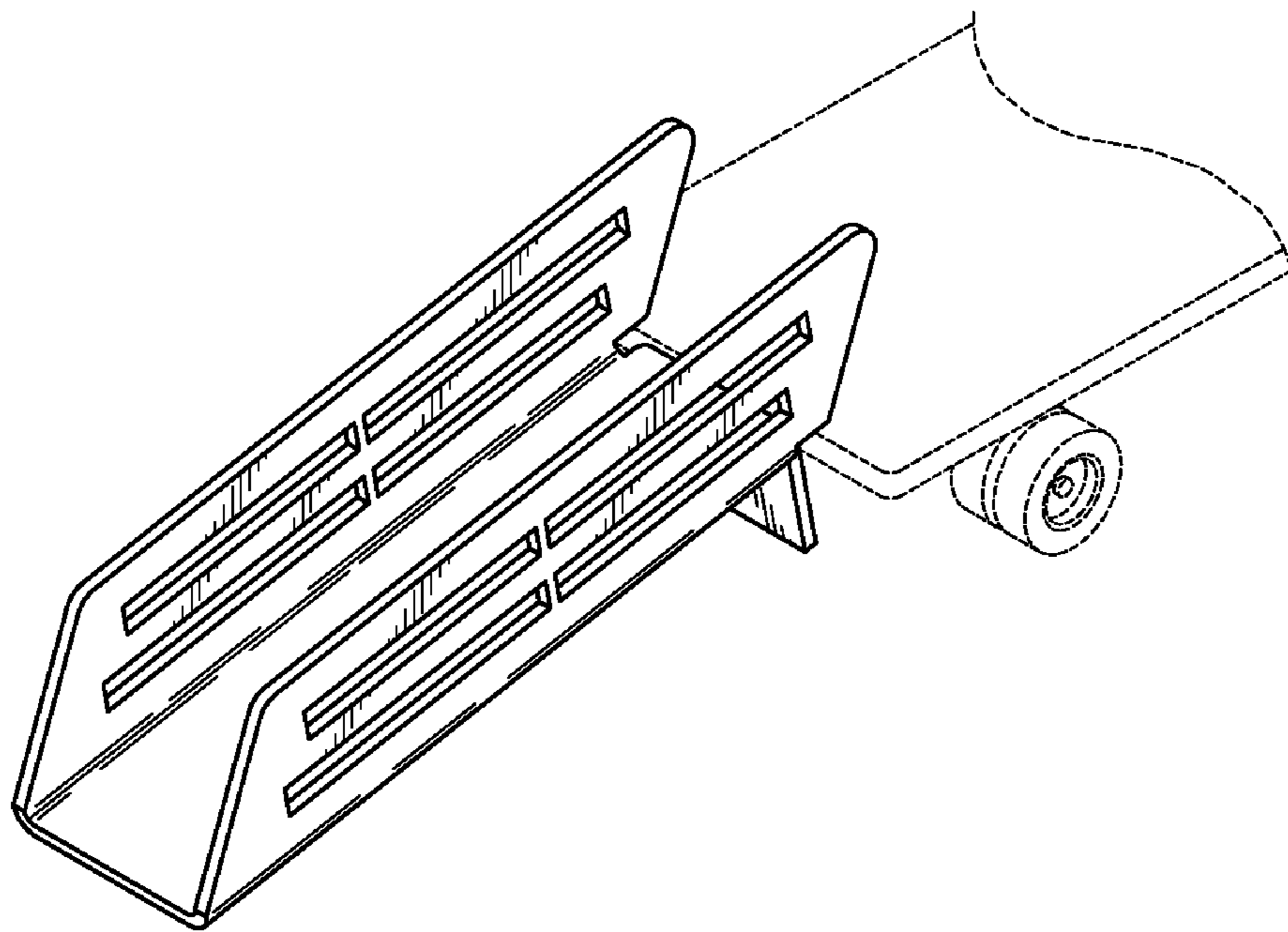


Fig. 2

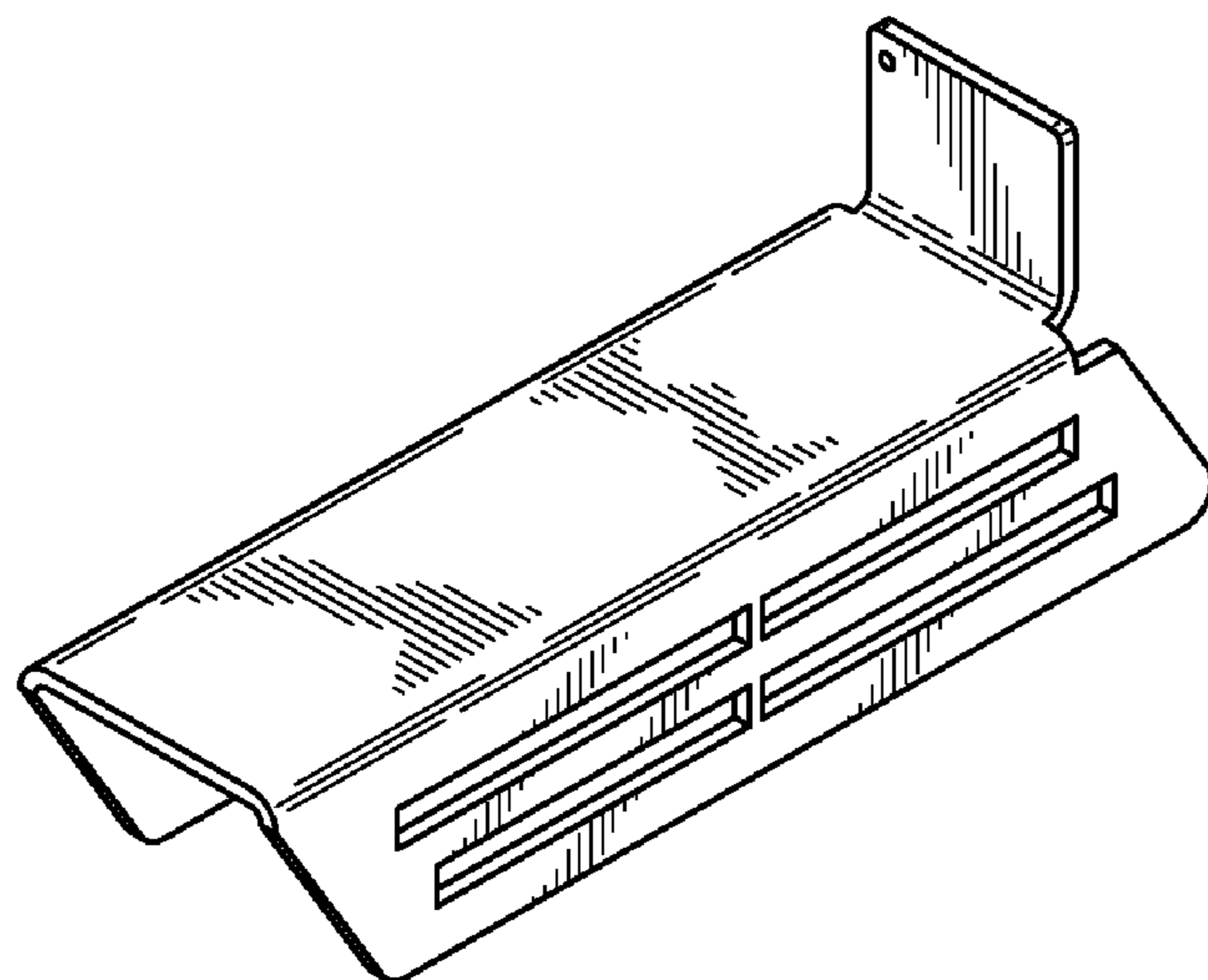


Fig. 3

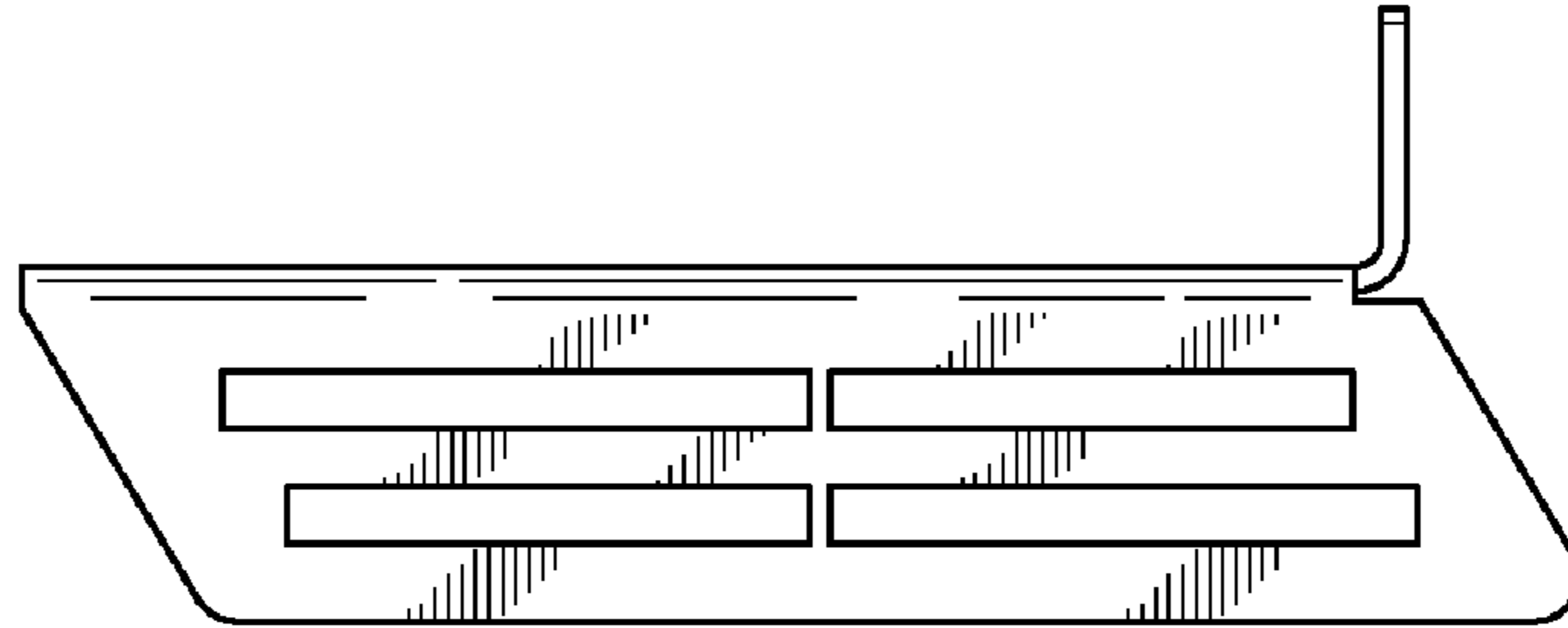


Fig. 4

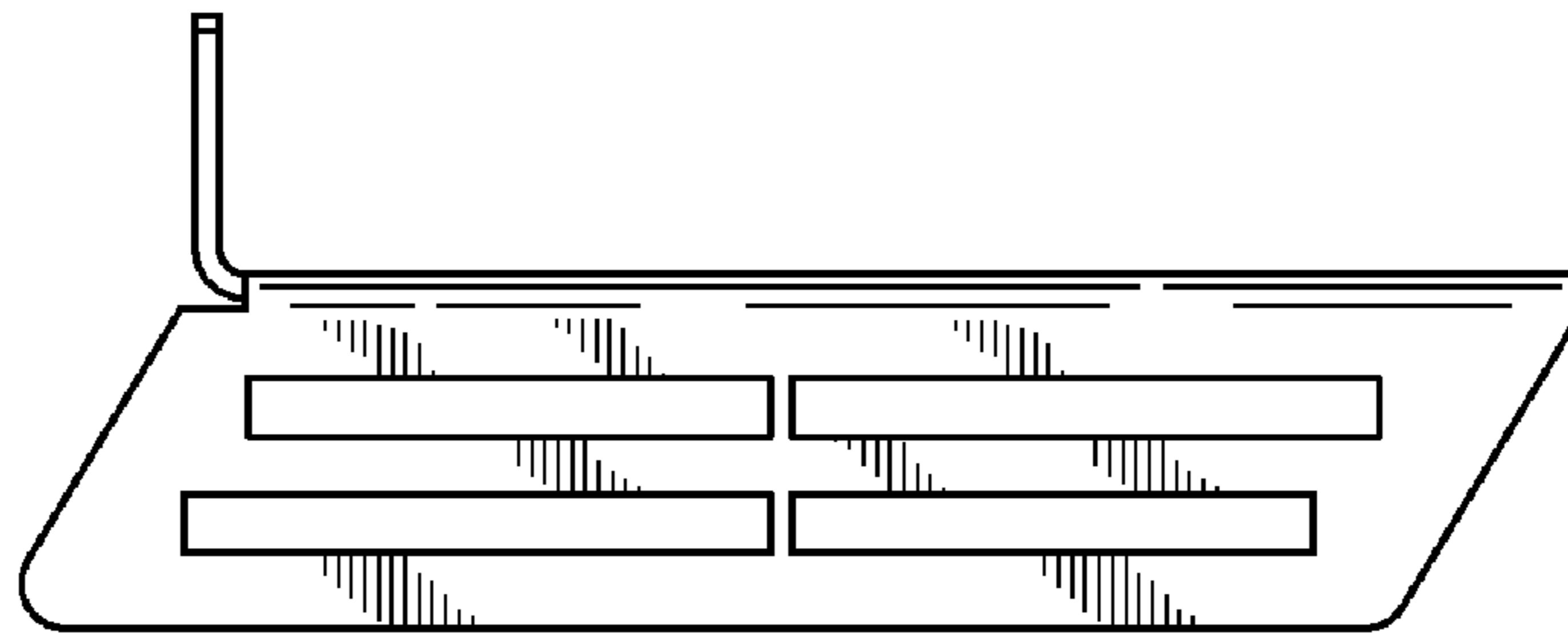


Fig. 5

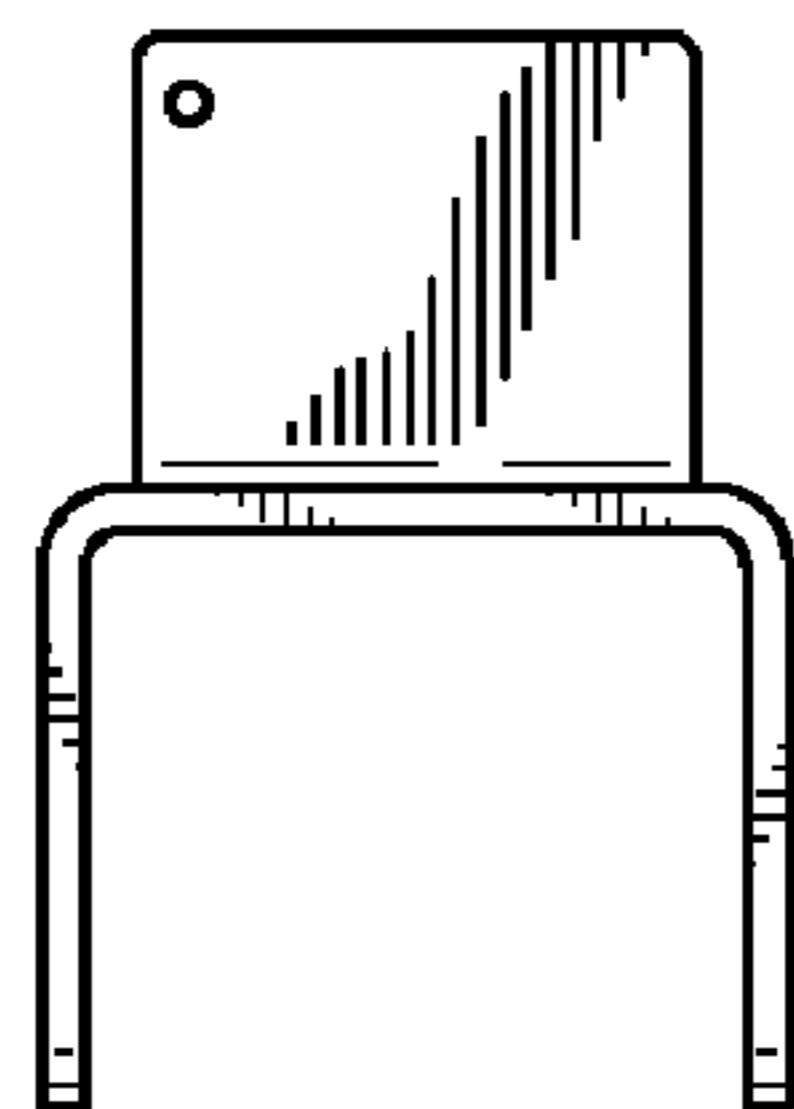


Fig. 6

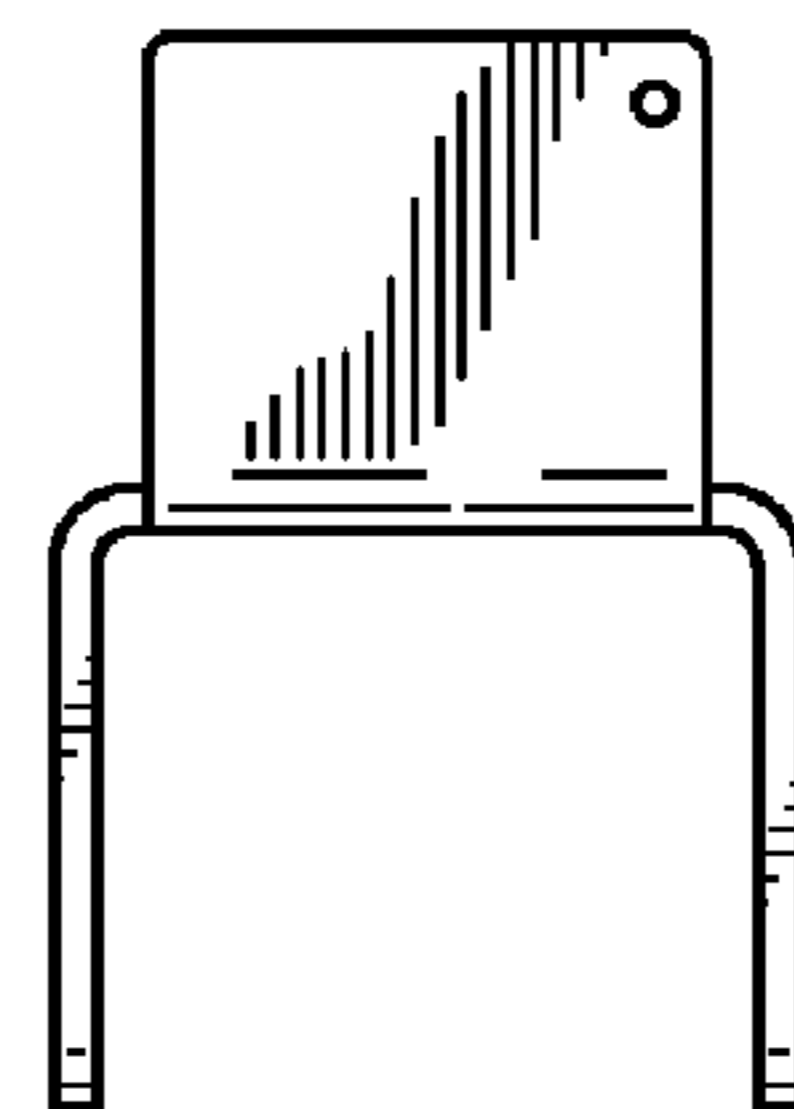


Fig. 7

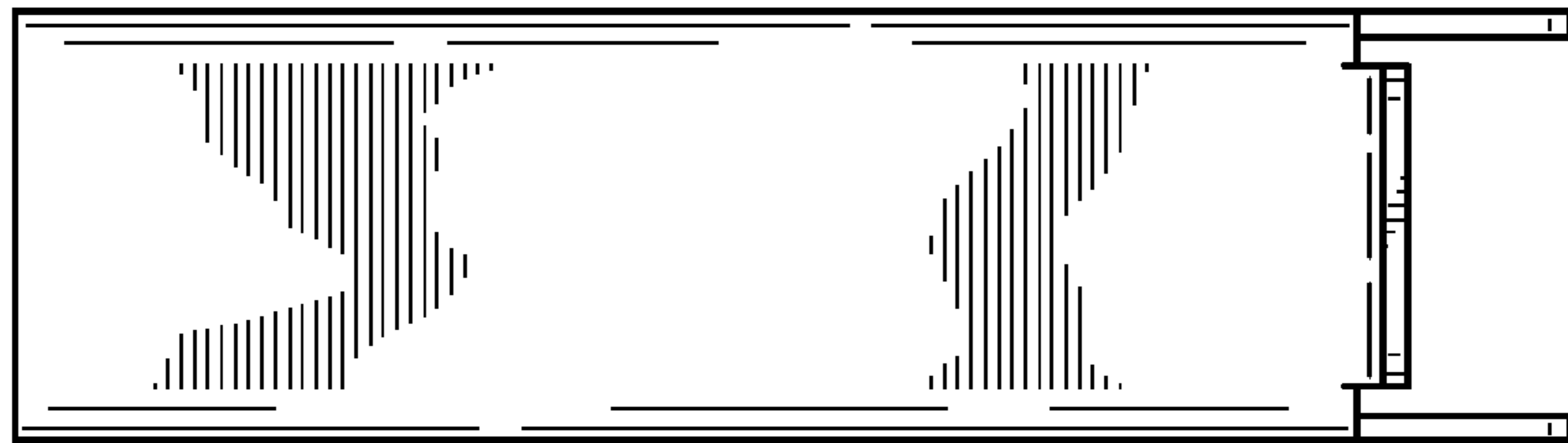


Fig. 8

