



US00D598503S

(12) **United States Design Patent**
Fedrigo

(10) **Patent No.:** **US D598,503 S**

(45) **Date of Patent:** **** Aug. 18, 2009**

(54) **CARD BUGGY**

(76) **Inventor:** **Alex Victor Fedrigo**, 36906 Margareta St., Livonia, MI (US) 48152

(**) **Term:** **14 Years**

(21) **Appl. No.:** **29/308,964**

(22) **Filed:** **Jul. 18, 2008**

(51) **LOC (9) Cl.** **21-01**

(52) **U.S. Cl.** **D21/392**

(58) **Field of Classification Search** D19/86,
D19/91-92; D21/385, 392-395; 273/148 A,
273/148 R, 150

See application file for complete search history.

(56) **References Cited**

U.S. PATENT DOCUMENTS

D132,137 S *	4/1942	Holstein	D21/392
D164,862 S *	10/1951	Johnson	D21/392
D166,696 S *	5/1952	Noelting	D21/392
D167,314 S *	7/1952	Jeunesse	D21/392
2,740,632 A *	4/1956	Balmer	273/148 A
D197,436 S *	2/1964	Bromley	D21/392
D238,290 S *	12/1975	Dobbs	D21/392

D320,818 S *	10/1991	Anderson	D21/395
6,086,068 A *	7/2000	Ayres et al.	273/236
D516,868 S *	3/2006	Wang	D7/590

* cited by examiner

Primary Examiner—Sandra Morris

(57) **CLAIM**

The ornamental design for a card buggy, as shown and described.

DESCRIPTION

FIG. 1 is a top plan view of a card buggy, showing my new design;

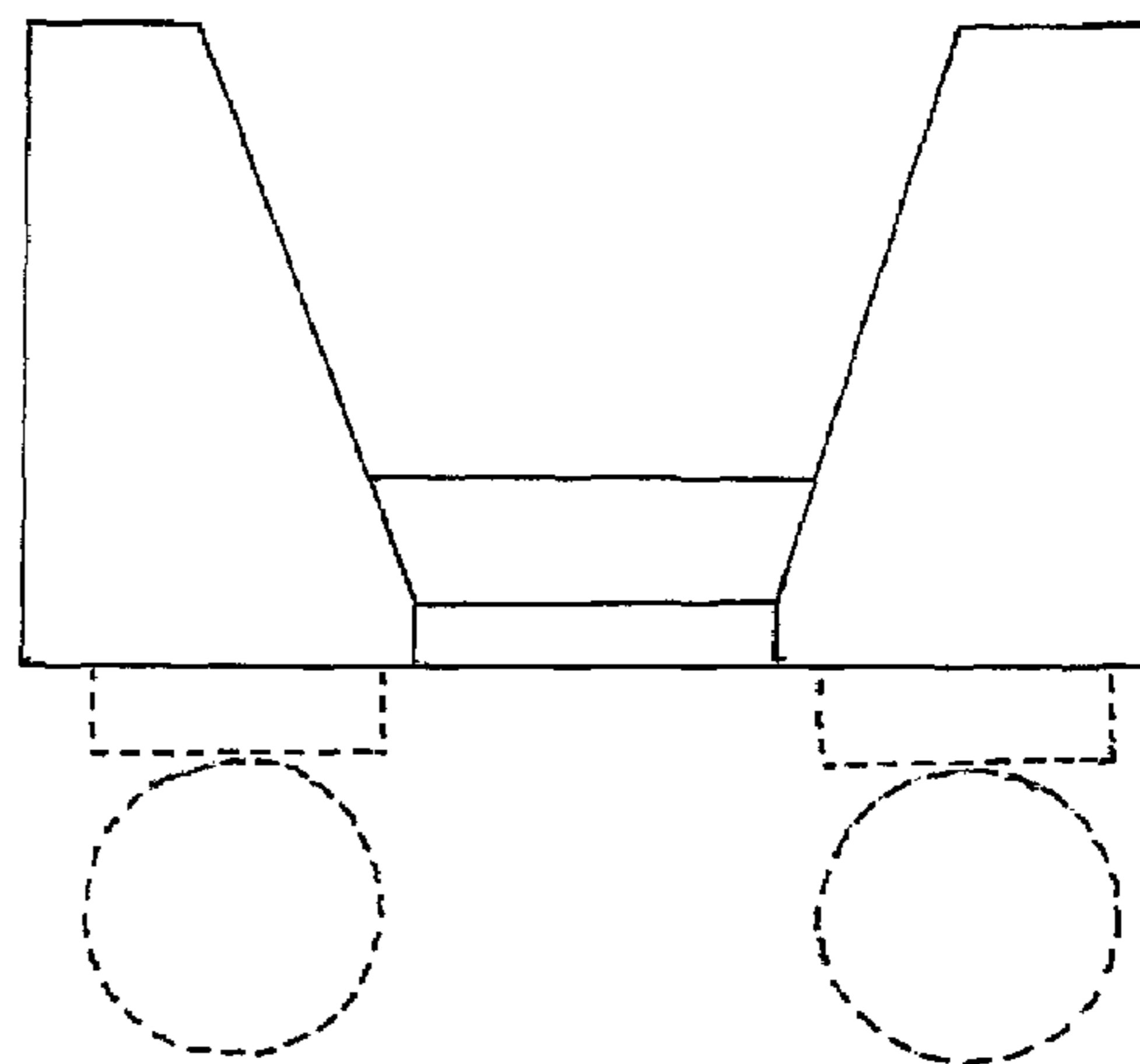
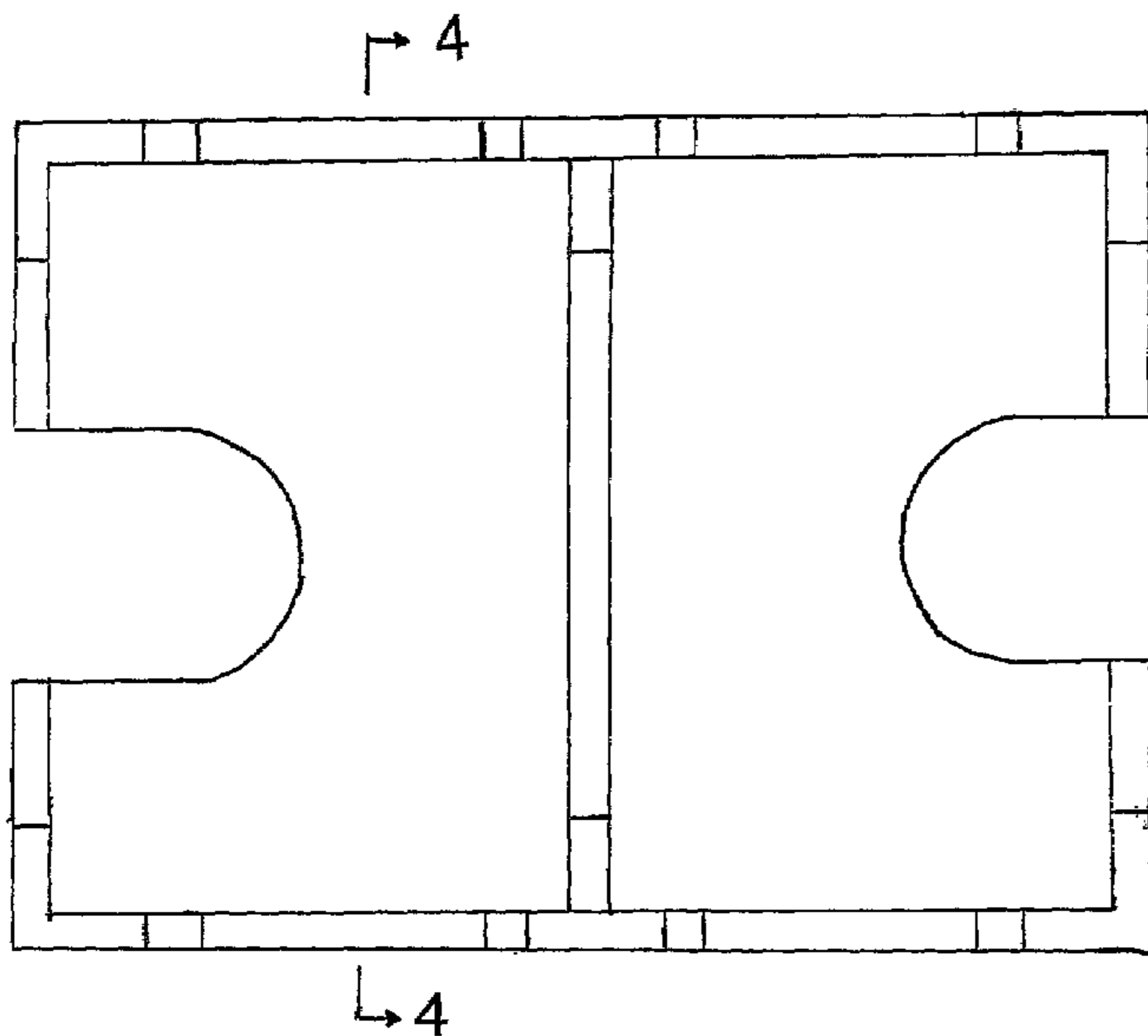
FIG. 2 is a front view thereof, the rear view being a mirror image;

FIG. 3 is a left side view thereof, the right side being a mirror image; and,

FIG. 4 is a sectional view taken along line 4—4 of FIG. 1.

The broken line showing of wheels mounted to the bottom surface of the design in FIGS. 2-4, is for illustrative purposes only and forms no part of the claimed design.

1 Claim, 2 Drawing Sheets



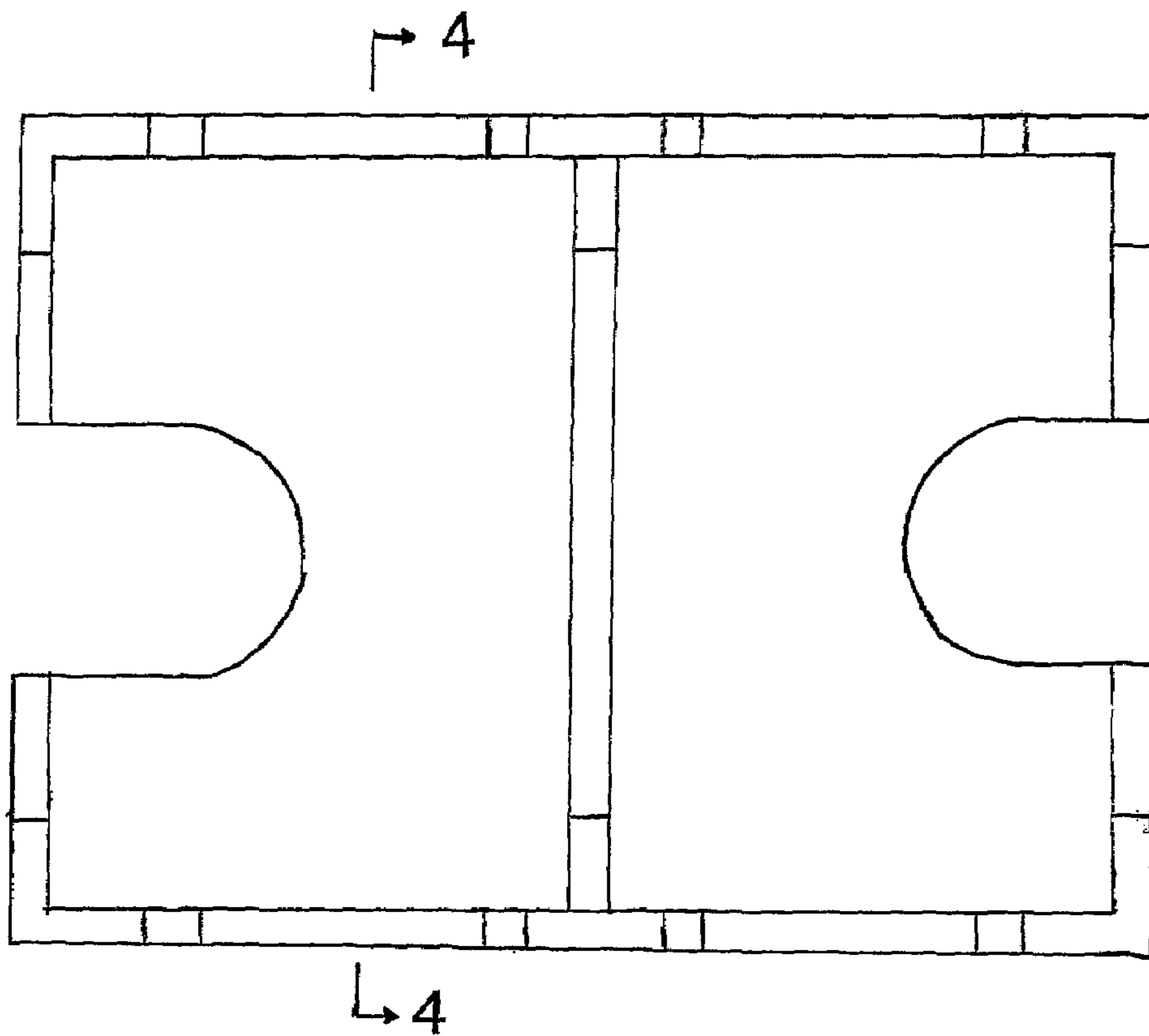


FIG. 1

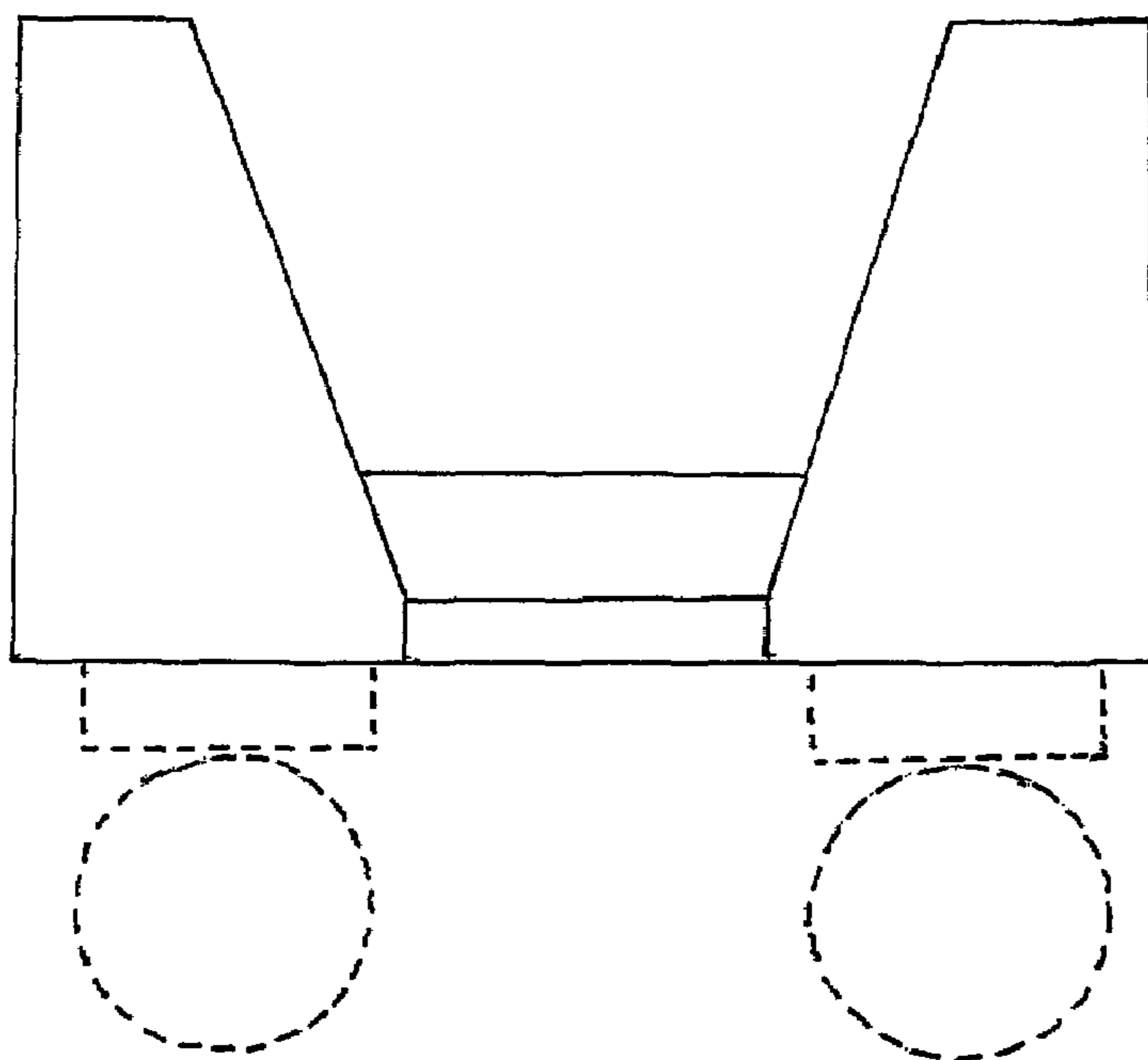


FIG. 2

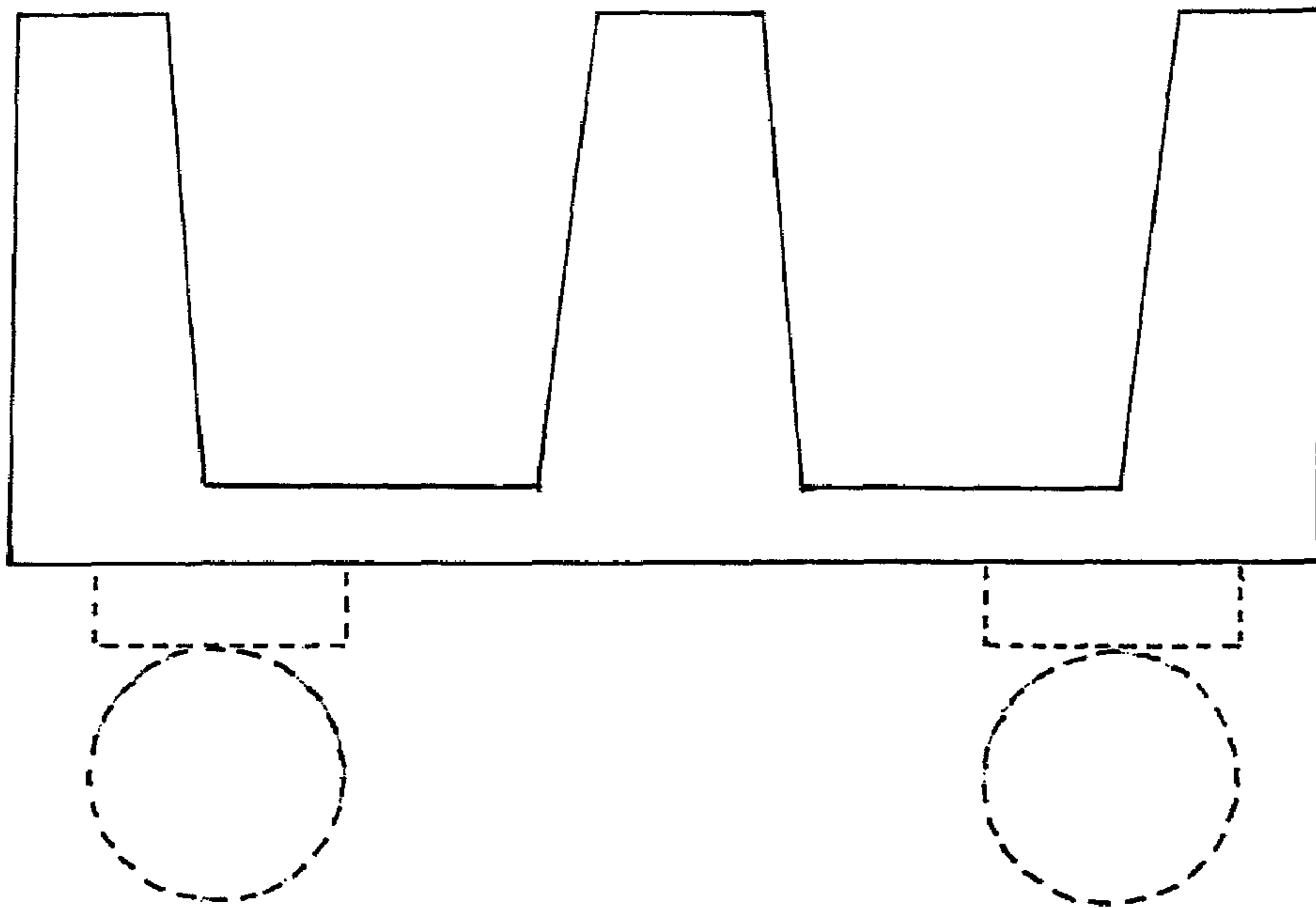


FIG. 3

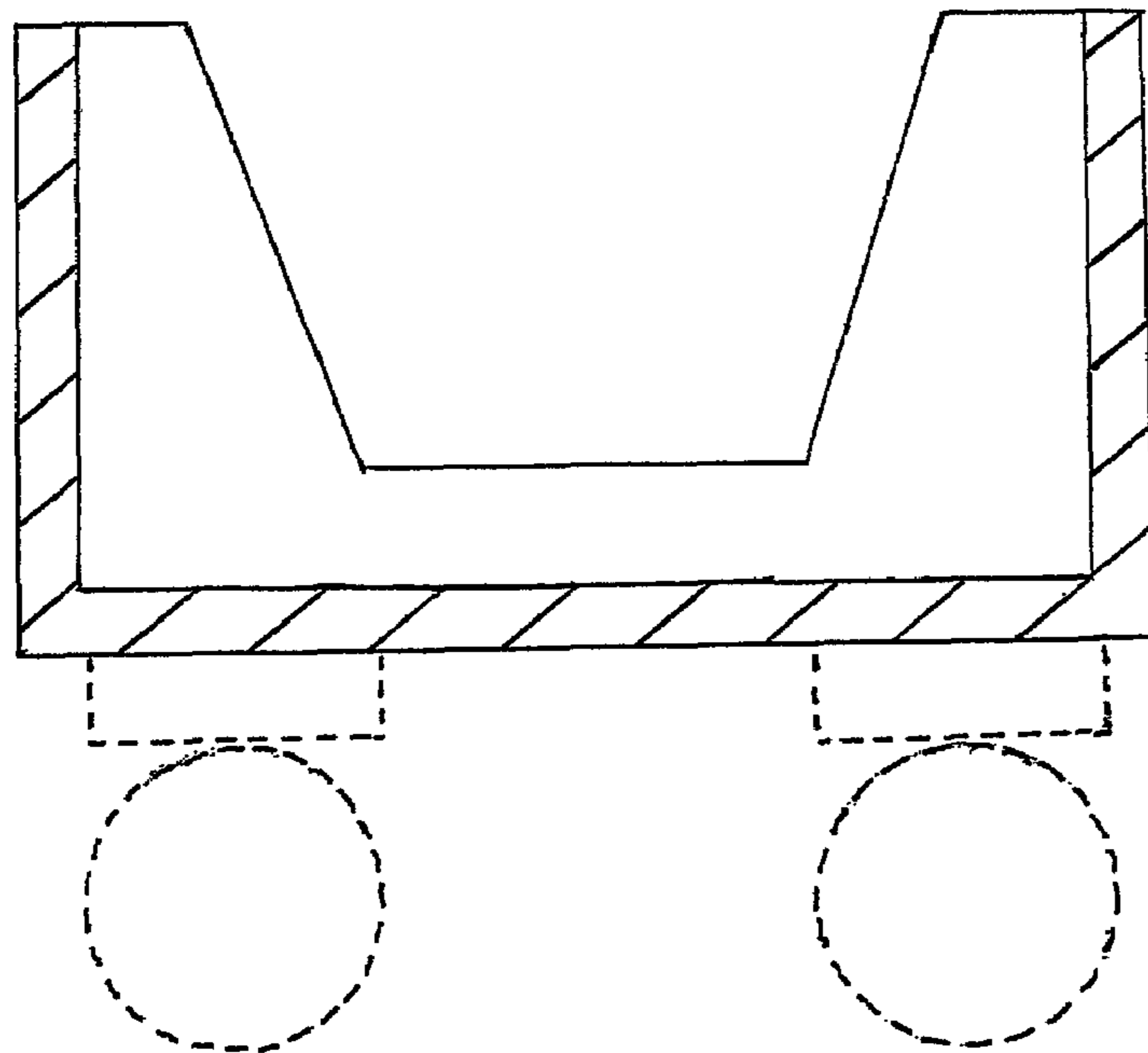


FIG. 4