



US00D598501S

(12) **United States Design Patent**
Merner

(10) **Patent No.:** **US D598,501 S**

(45) **Date of Patent:** **** Aug. 18, 2009**

(54) **RETRACTABLE BANNER STAND**

(75) **Inventor:** **Lyle D. Merner**, Richmond (CA);
Gabriela P. Merner, legal
representative, Richmond (CA)

(73) **Assignees:** **Downing Displays, Inc.**, Milford, OH
(US); **The Portables Exhibit Systems
Limited**, Richmond, British Columbia
(CA)

(**) **Term:** **14 Years**

(21) **Appl. No.:** **29/323,539**

(22) **Filed:** **Aug. 27, 2008**

(51) **LOC (9) Cl.** **20-03**

(52) **U.S. Cl.** **D20/43**

(58) **Field of Classification Search** D20/10,
D20/15, 19, 41-43, 99; 40/348, 350, 375,
40/385, 386, 514, 518, 541, 584, 603, 604,
40/606.01, 606.03, 642.02; D10/109; D19/20,
D19/21; 248/468

See application file for complete search history.

(56) **References Cited**

U.S. PATENT DOCUMENTS

1,974,076	A	5/1931	Lindenberger	
D339,168	S	9/1993	Gerhart et al.	
5,798,861	A	8/1998	Doat	
D406,275	S *	3/1999	Wright	D19/20
5,983,545	A	11/1999	Marco	
6,115,951	A	9/2000	Jing et al.	
6,182,938	B1 *	2/2001	Wright	248/468
6,457,684	B1	10/2002	McKendry	
D468,362	S *	1/2003	Zarelius	D20/99
6,571,496	B2	6/2003	Zarelius	
6,643,966	B2	11/2003	Schmitt	

(Continued)

FOREIGN PATENT DOCUMENTS

WO 0047508 8/2000

OTHER PUBLICATIONS

- Skyline Banner Stand 3000 (6 pages) (copyright 2008).
- Skyline Banner Stand 3000-R Specifications (2 pages) (copyright 2008).
- Skyline Banner Stand 3000-R Set Up (PN23107) (1 page) (copyright 2003).
- Skyline Banner Stand 3000-R Double Sided (PN24983-A) (1 page) (copyright 2003).
- Skyline Banner Stand 3000-R Exchange Graphic Replacement (PN24468) (1 page) (copyright 2003).
- Skyline Reaction (TM) Banner Stand Unique Curved, Retractable Design (PN28419) (4 pages) (copyright 2005).
- Skyline Banner Stand with Graphic Exchange System (PN25672) (4 pages) (copyright 2004).
- Skyline Exalt(R) Banner Stand web ad page (1 page) (copyright 2008).
- Skyline Exalt (TM) Curved Banner Stand Set-Up instructions (PN31578-A) (8 pages) (copyright 2007).
- Skyline Exalt (TM) Convertible Stand Graphic Replacement (PN30631-B) (1 page) (copyright 2007).
- Skyline Exalt Banner Stand Specifications (1 page) (copyright 2008).

Primary Examiner—Janice E Seeger
Assistant Examiner—Mary Ann Calabrese
(74) *Attorney, Agent, or Firm*—Wood Herron & Evans, LLP

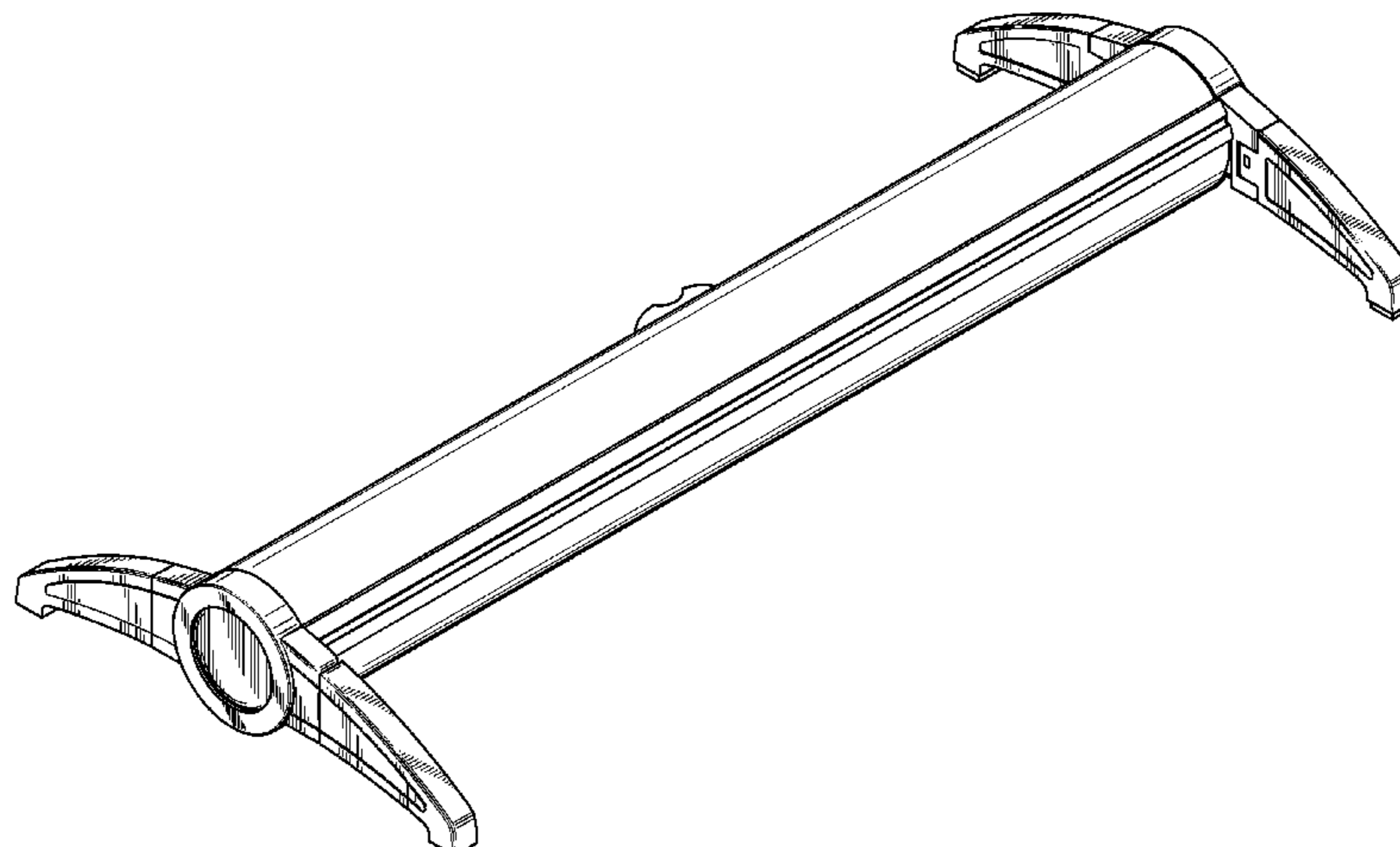
(57) **CLAIM**

The ornamental design for a retractable banner stand, as shown and described.

DESCRIPTION

- FIG. 1 is a perspective view of his new, original and ornamental design;
- FIG. 2 is a front view thereof;
- FIG. 3 is a rear view thereof;
- FIG. 4 is a left side view thereof;
- FIG. 5 is a right side view thereof;
- FIG. 6 is a top view thereof; and,
- FIG. 7 is a bottom view thereof.

1 Claim, 5 Drawing Sheets



US D598,501 S

Page 2

U.S. PATENT DOCUMENTS

D483,412 S *	12/2003	Lang	D20/41	7,337,567 B2	3/2008	Fritsche et al.	
D483,413 S *	12/2003	Merenlender	D20/41	D577,075 S *	9/2008	Bode	D20/43
D497,955 S *	11/2004	Lang	D20/41	D578,574 S *	10/2008	Lundgren	D20/99
6,836,988 B2	1/2005	Zarelius		D592,706 S *	5/2009	Zarelius	D20/43
7,040,372 B2	5/2006	Johansson et al.		D592,707 S *	5/2009	Zarelius	D20/43
7,237,350 B1	7/2007	Zarelius		2002/0050083 A1 *	5/2002	Zarelius	40/514
D562,909 S *	2/2008	Meijer	D20/43	2008/0105797 A1	5/2008	Fritsche et al.	

* cited by examiner

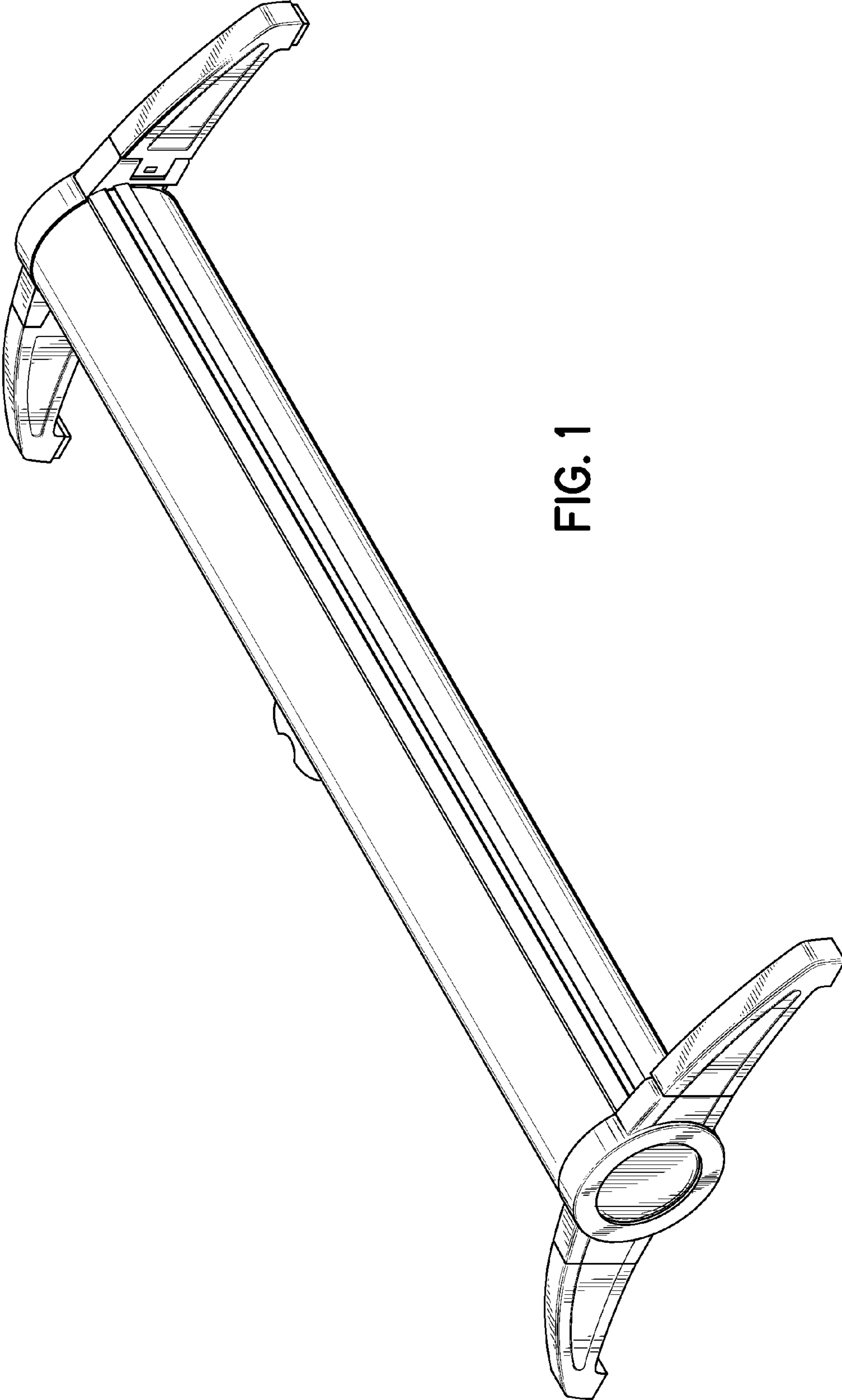


FIG. 1

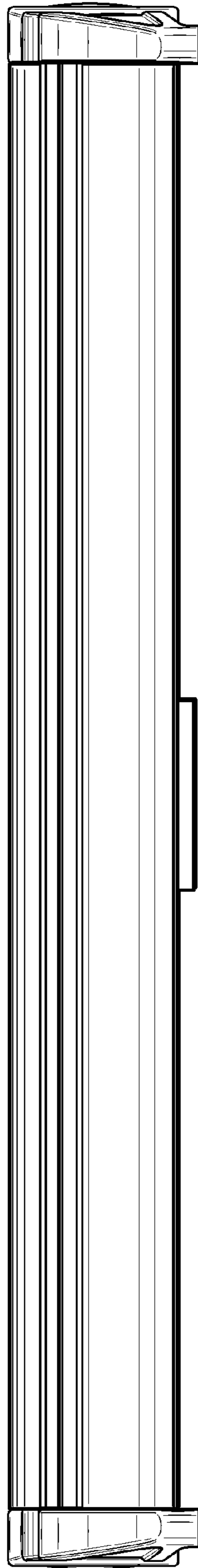


FIG. 2

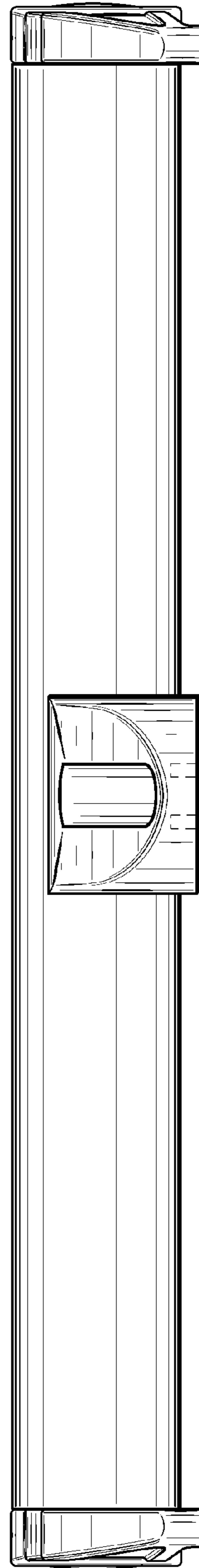


FIG. 3

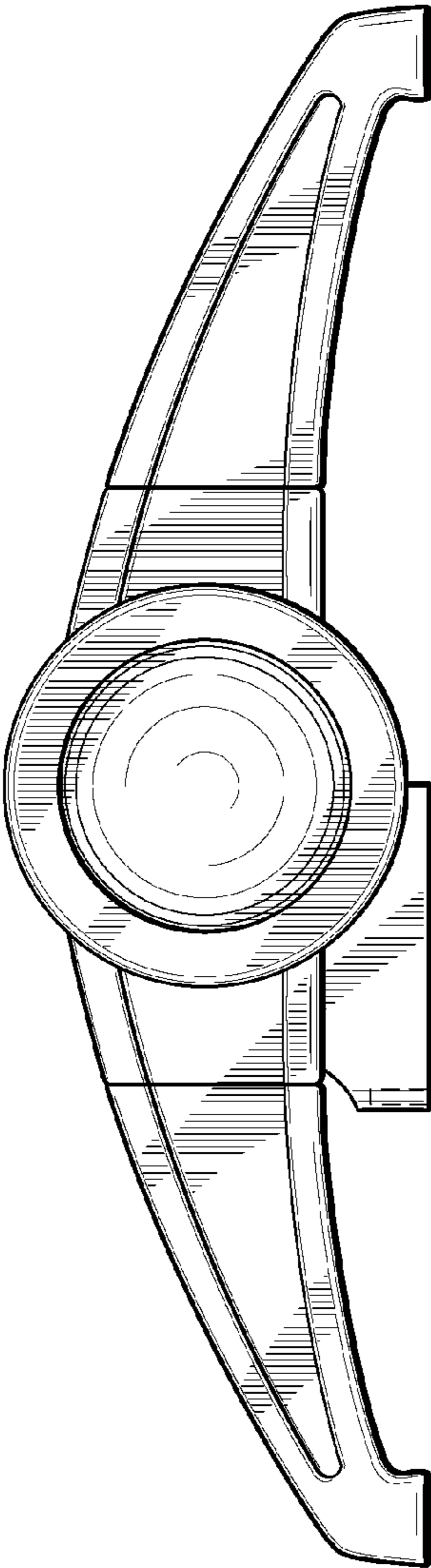


FIG. 4

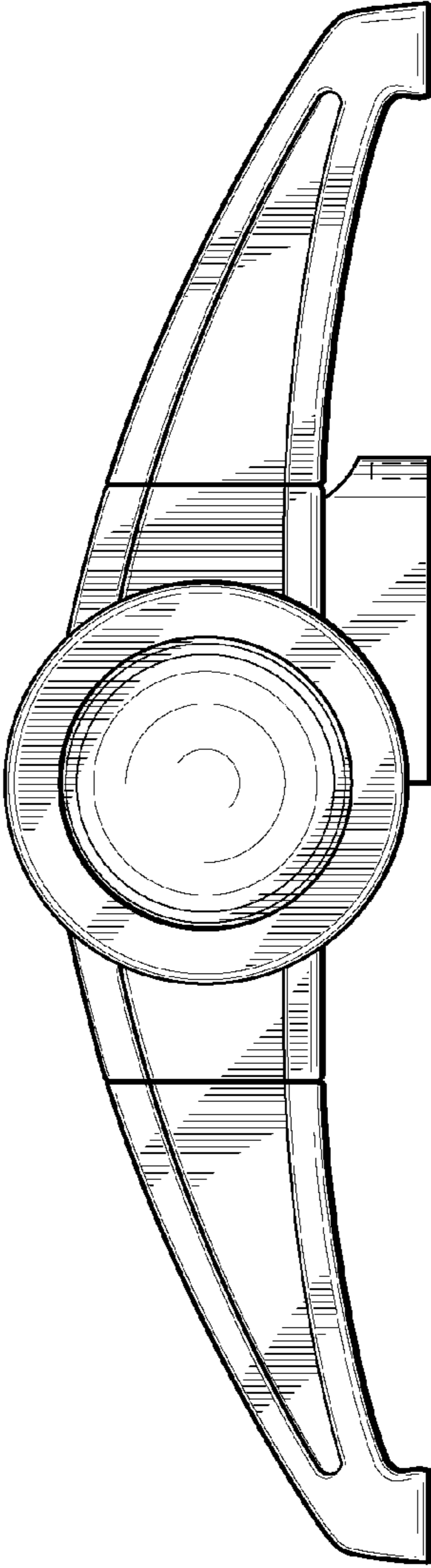


FIG. 5

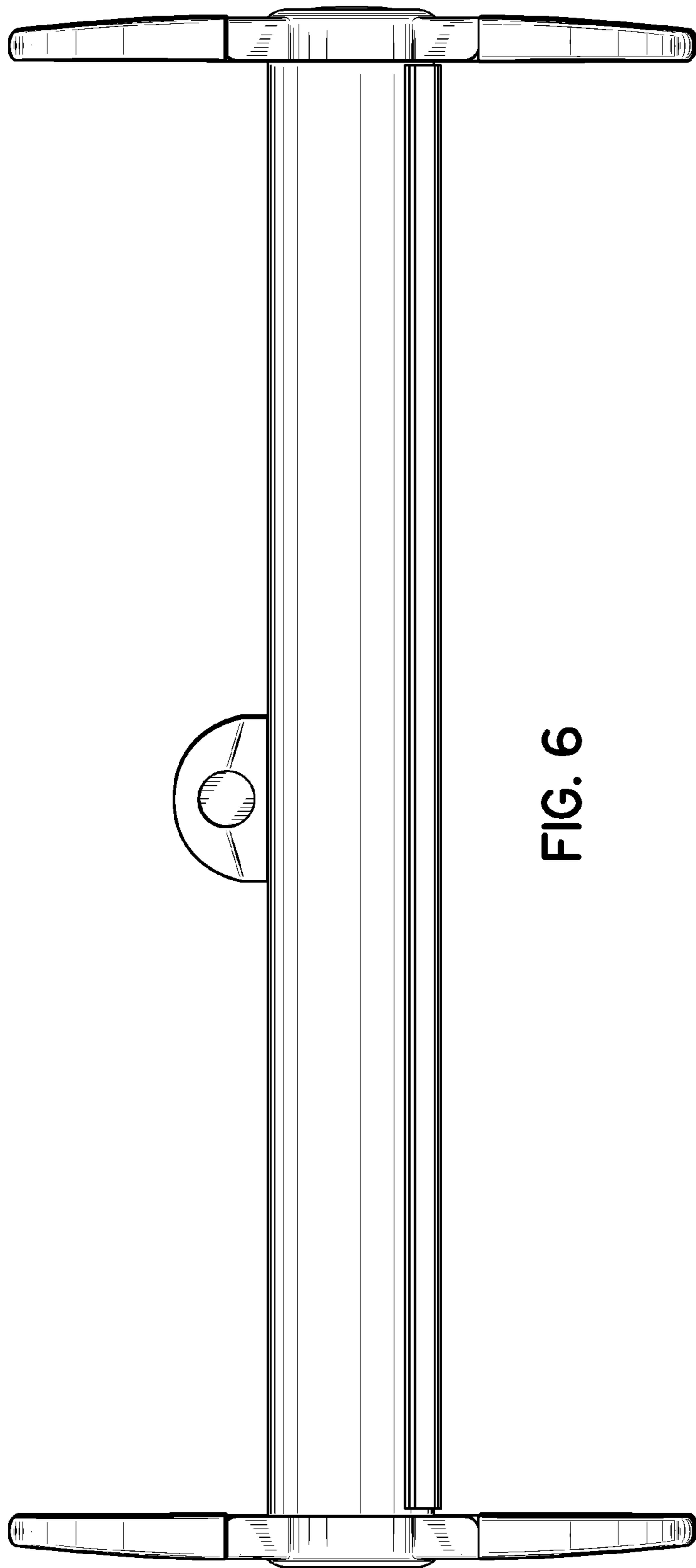


FIG. 6

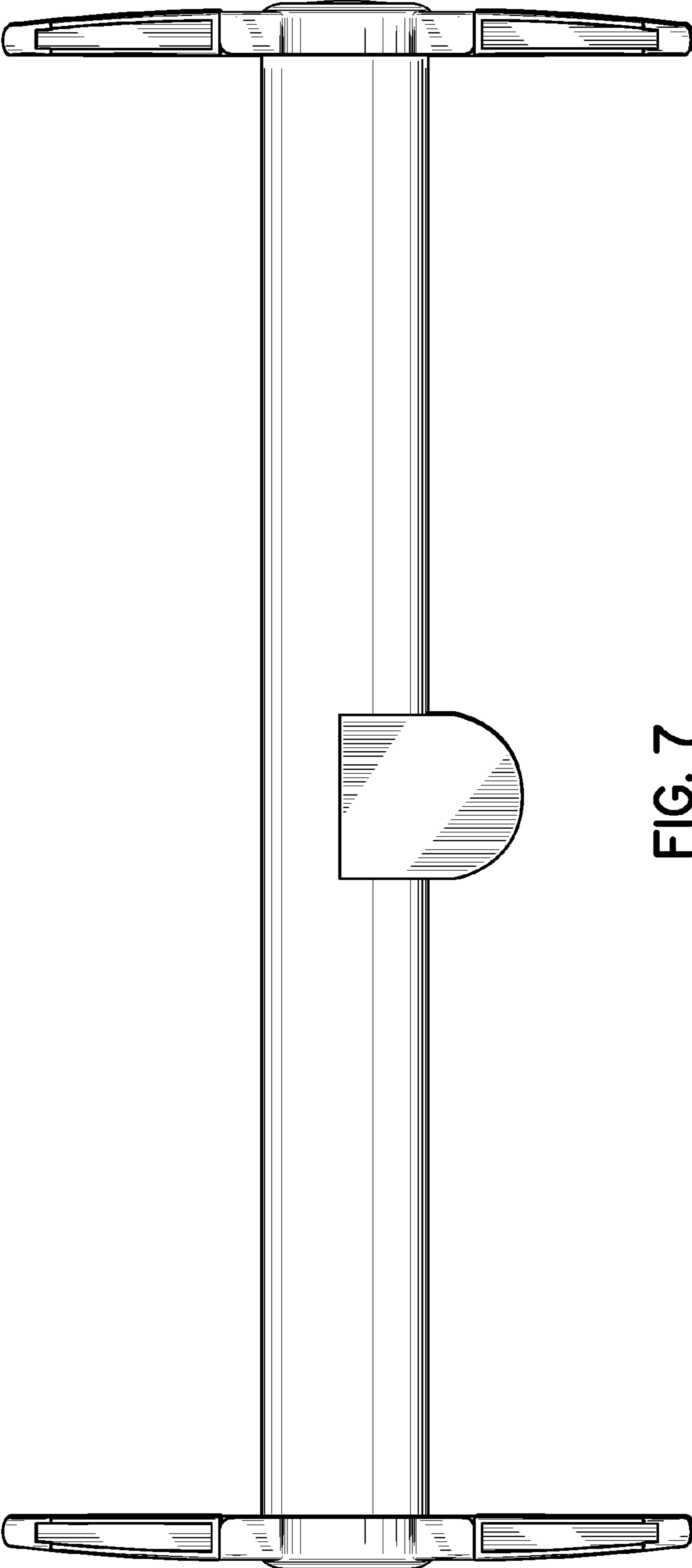


FIG. 7