

US00D598494S

(12) **United States Design Patent**
To

(10) **Patent No.:** **US D598,494 S**

(45) **Date of Patent:** **** Aug. 18, 2009**

(54) **BINDING RING**

(75) Inventor: **Chun Yuen To**, Hong Kong (CN)

(73) Assignee: **World Wide Stationery Manufacturing Company Limited**, Hong Kong (CN)

(**) Term: **14 Years**

(21) Appl. No.: **29/294,296**

(22) Filed: **Jan. 3, 2008**

(30) **Foreign Application Priority Data**

Jul. 3, 2007 (CN) 2007 3 0158192
Jul. 3, 2007 (CN) 2007 3 0158193

(51) **LOC (9) Cl.** **19-04**

(52) **U.S. Cl.** **D19/32**

(58) **Field of Classification Search** D19/32,
D19/27; 402/8, 79, 73, 70, 60, 54, 41, 39,
402/38, 37, 36, 31, 26, 19; 72/129; 281/27.2,
281/15.1; 206/526

See application file for complete search history.

(56) **References Cited**

U.S. PATENT DOCUMENTS

2,146,008 A * 2/1939 Buenger 402/40
3,728,036 A * 4/1973 Cott 402/31
3,954,343 A * 5/1976 Thomsen 402/41
4,130,368 A * 12/1978 Jacoby et al. 402/41
D382,593 S * 8/1997 To D19/32
D392,997 S * 3/1998 Chan D19/32
D436,993 S 1/2001 Whaley
D436,994 S 1/2001 Whaley
D451,135 S 11/2001 Whaley
6,758,621 B2 * 7/2004 To 402/19

D582,477 S * 12/2008 To D19/32
2001/0026726 A1 * 10/2001 To 402/41
2004/0013463 A1 * 1/2004 To 402/26

* cited by examiner

Primary Examiner—Cathron C Brooks

Assistant Examiner—Austin Murphy

(74) *Attorney, Agent, or Firm*—Connolly Bove Lodge & Hutz LLP

(57) **CLAIM**

The ornamental design for a binding ring, as shown and described.

DESCRIPTION

FIG. 1 is a perspective view of a binding ring showing my new design;

FIG. 2 is a right side elevational view thereof, left side elevational view being identical;

FIG. 3 is a front elevational view thereof, rear elevational view thereof being identical;

FIG. 4 is a top plan view thereof; and

FIG. 5 is a bottom plan view thereof;

FIG. 6 is a perspective view of a second embodiment of the binding ring shown with only two rings;

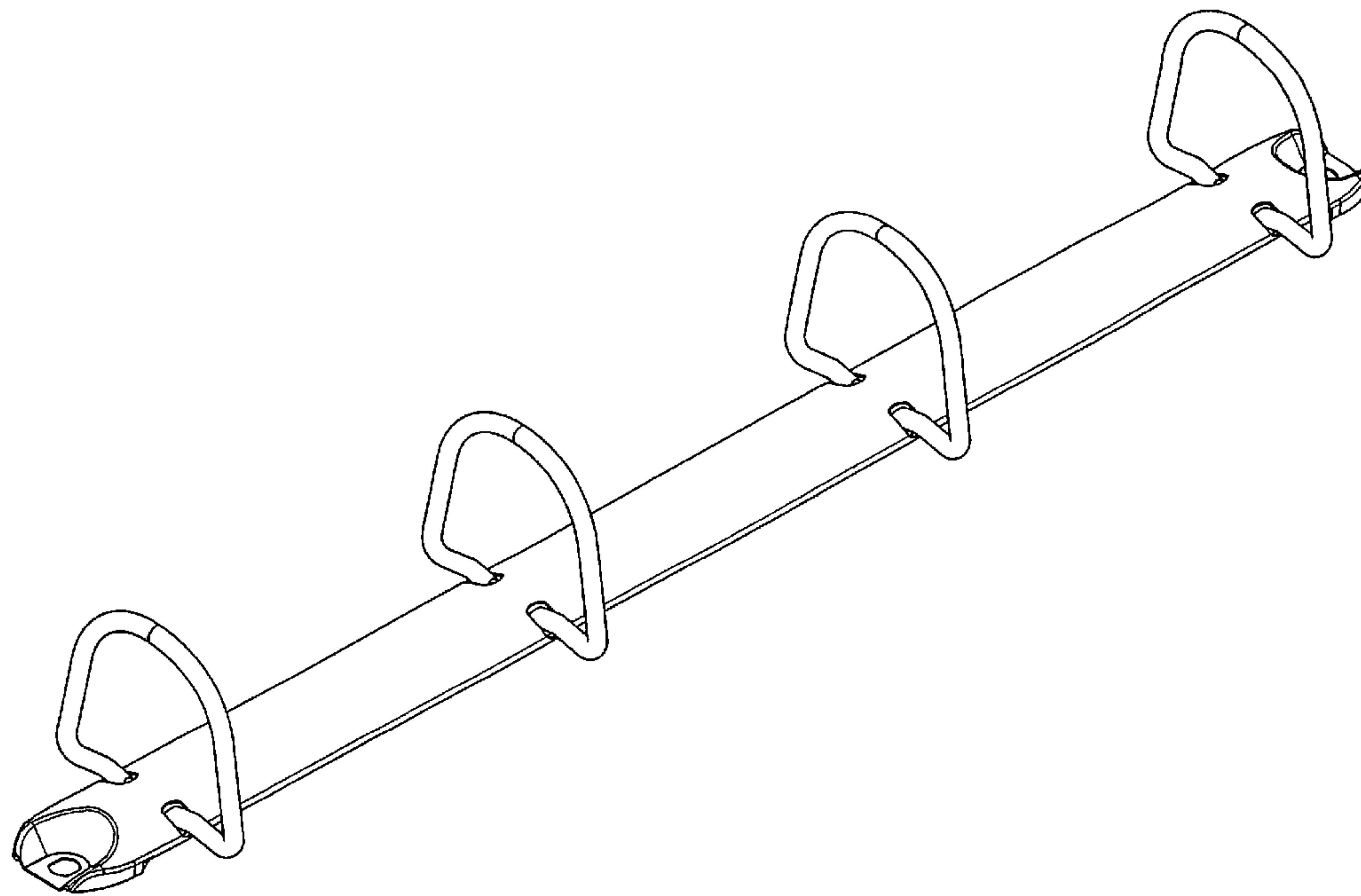
FIG. 7 is a right side elevational view of FIG. 6, the left side elevational view being identical;

FIG. 8 is a front elevational view of FIG. 6 the rear elevational view thereof being identical;

FIG. 9 is a top plan view of FIG. 6; and,

FIG. 10 is a bottom view of FIG. 6.

1 Claim, 10 Drawing Sheets



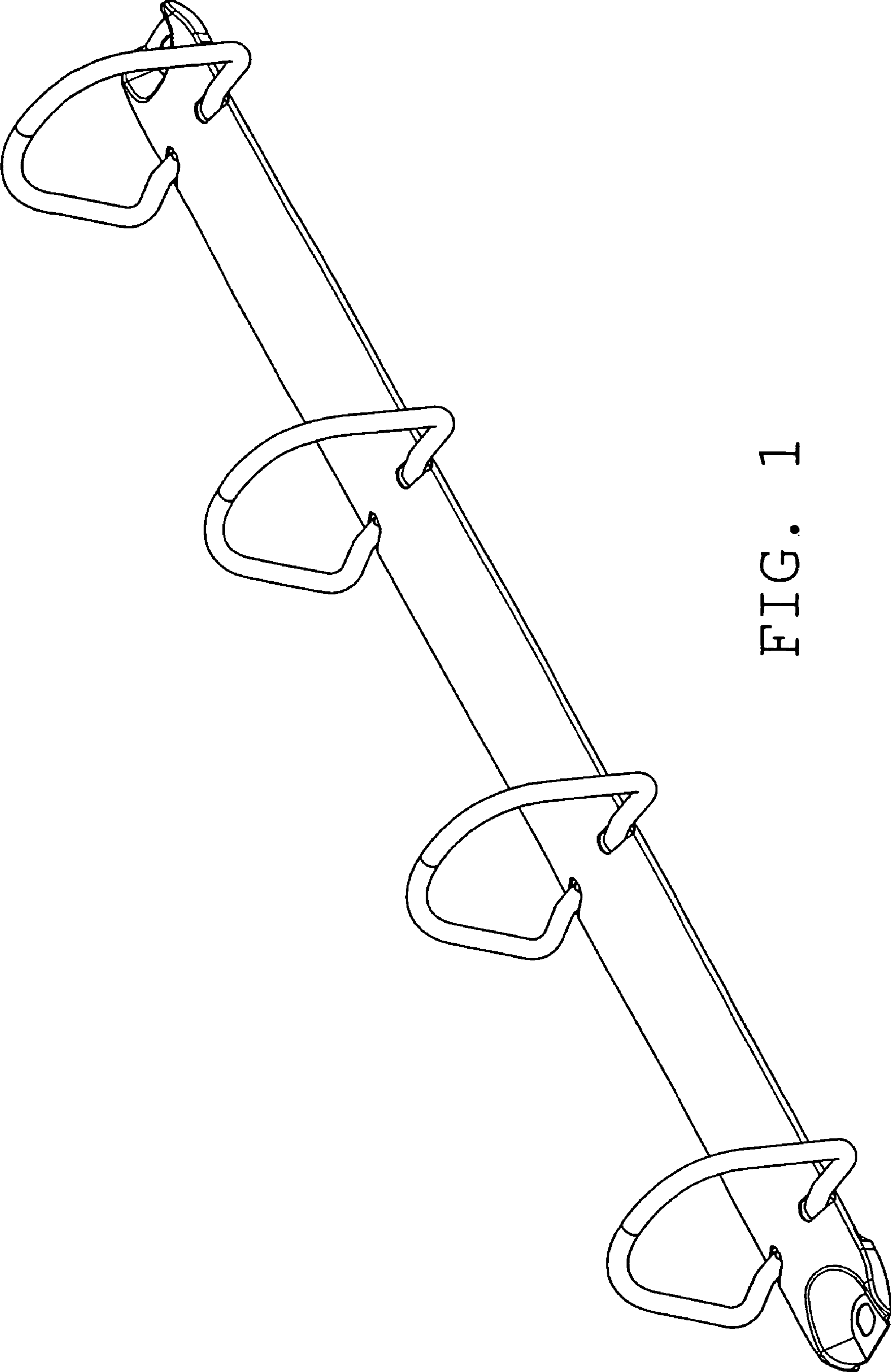


FIG. 1

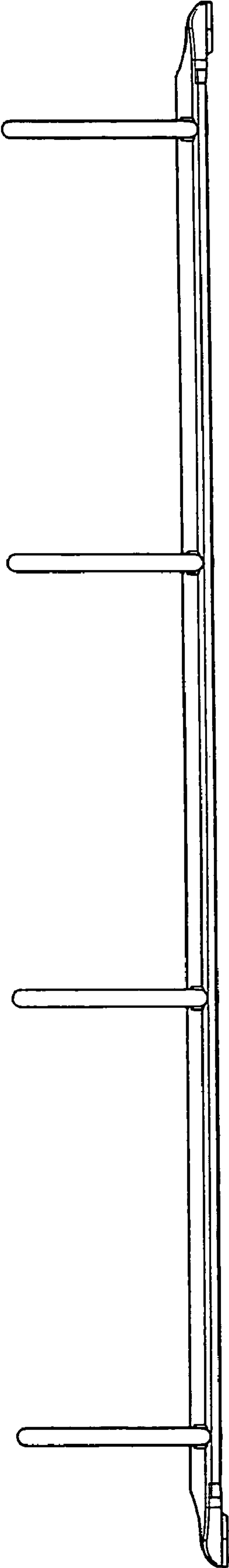


FIG. 2

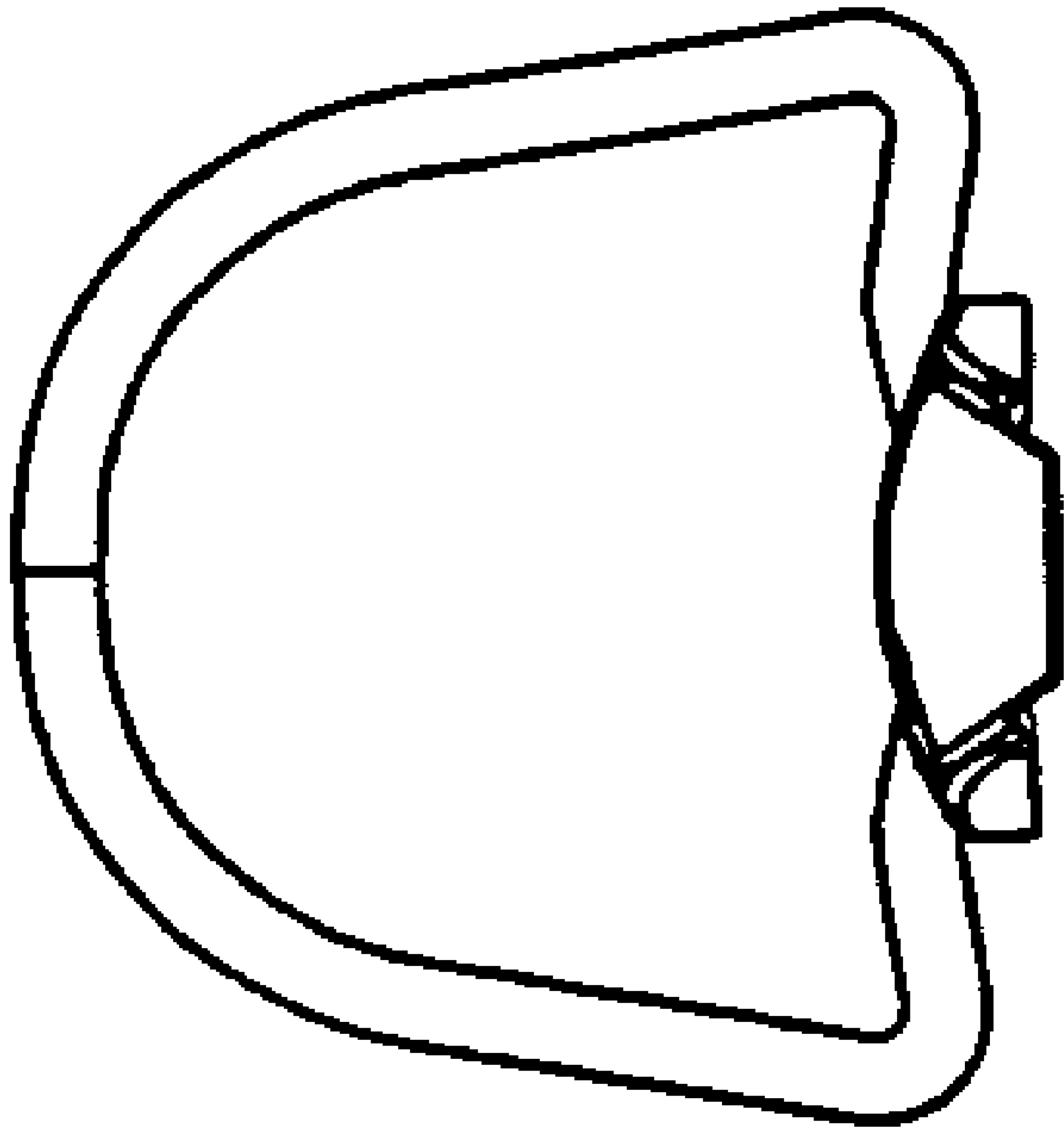


FIG. 3

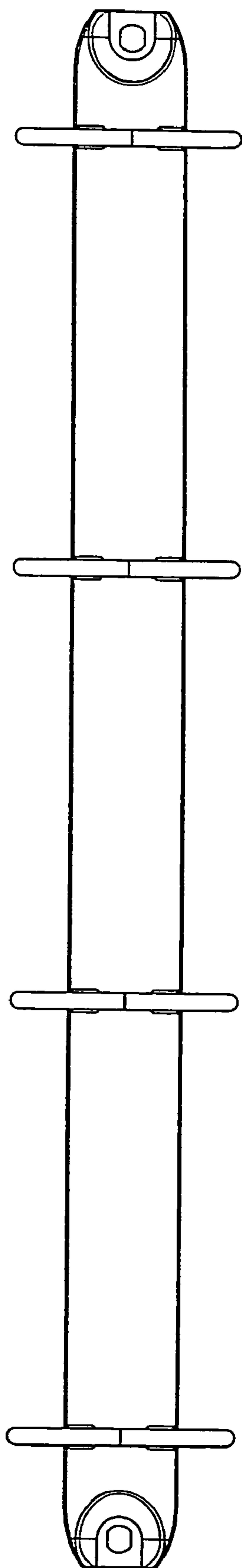


FIG. 4

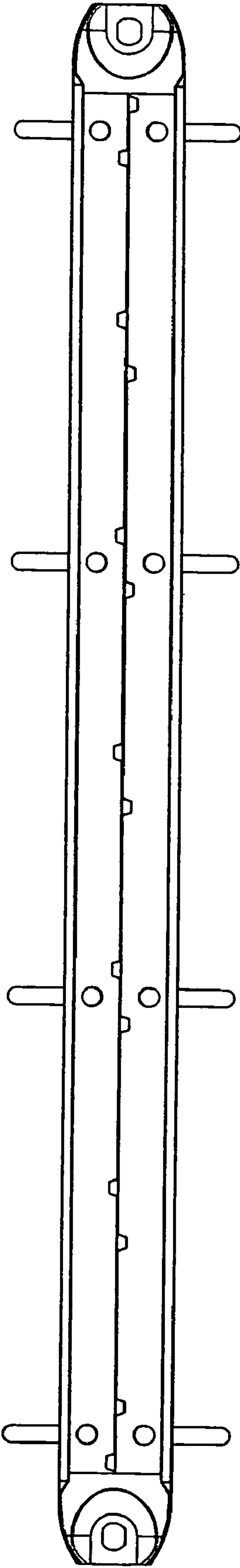


FIG. 5

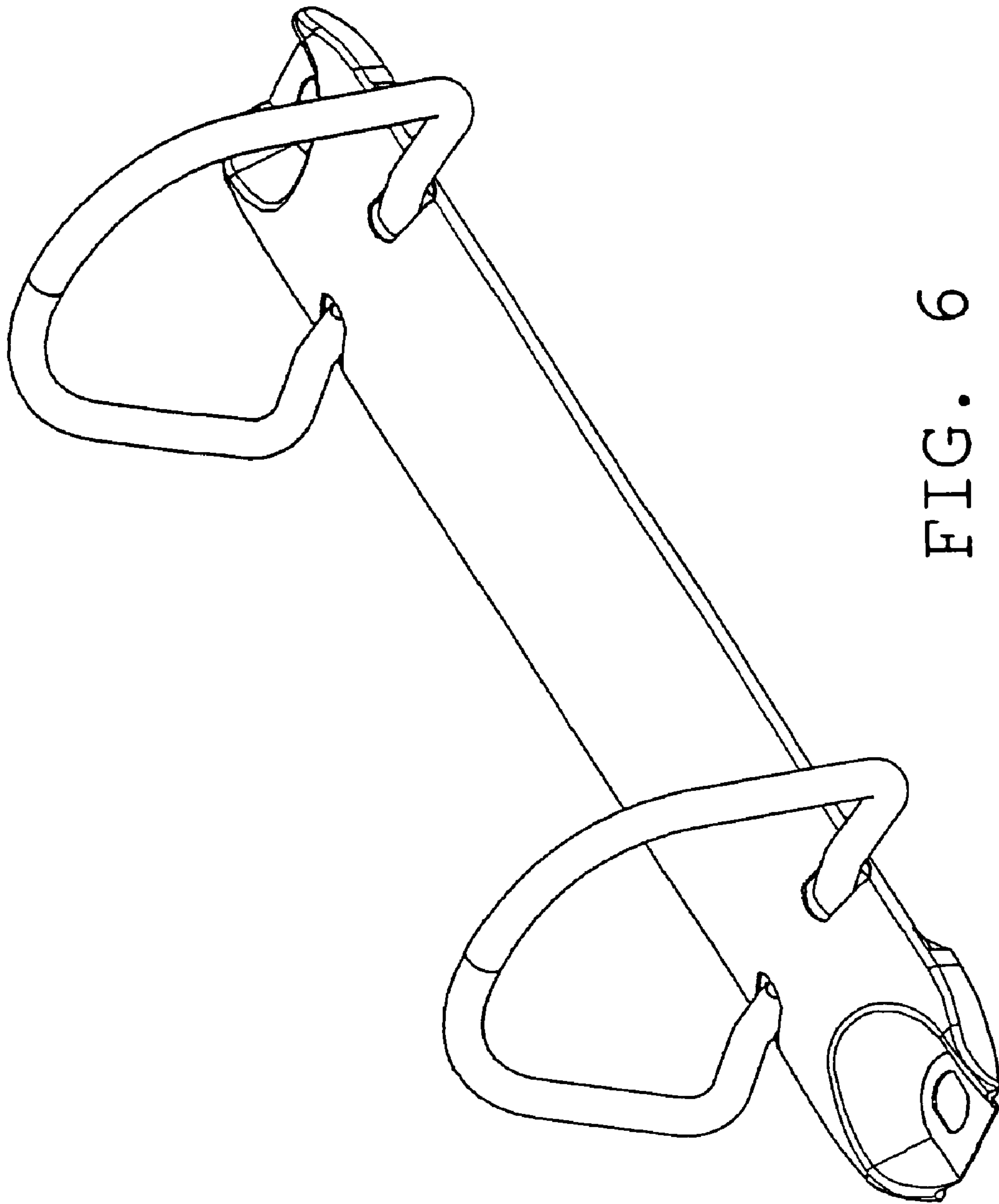


FIG. 6

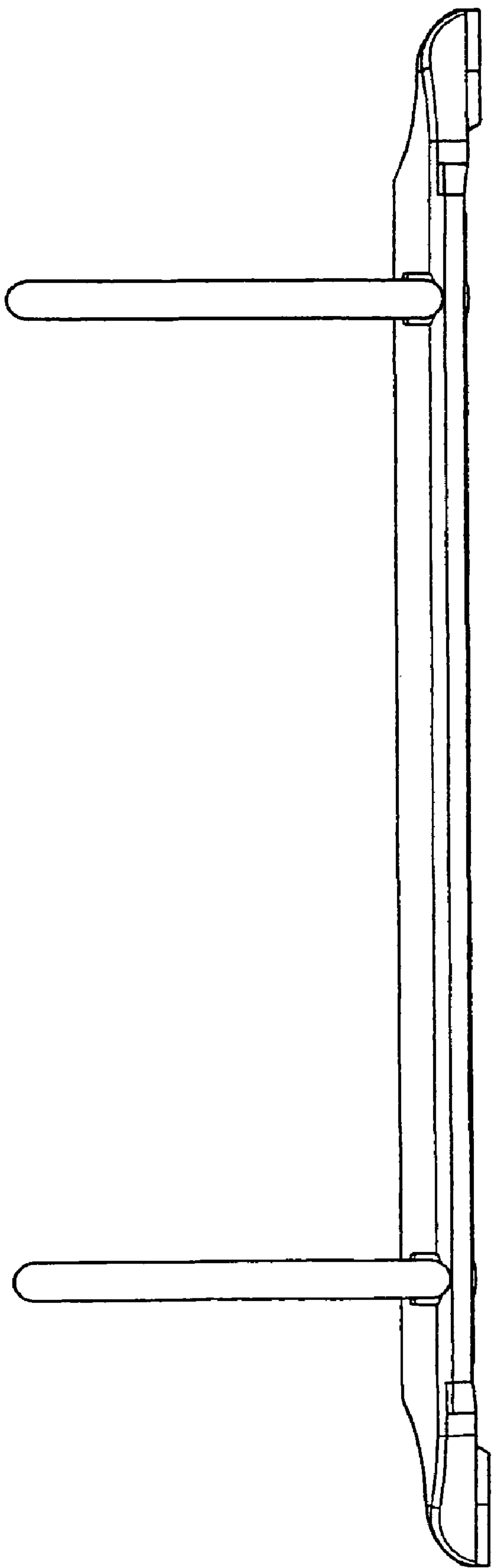


FIG. 7

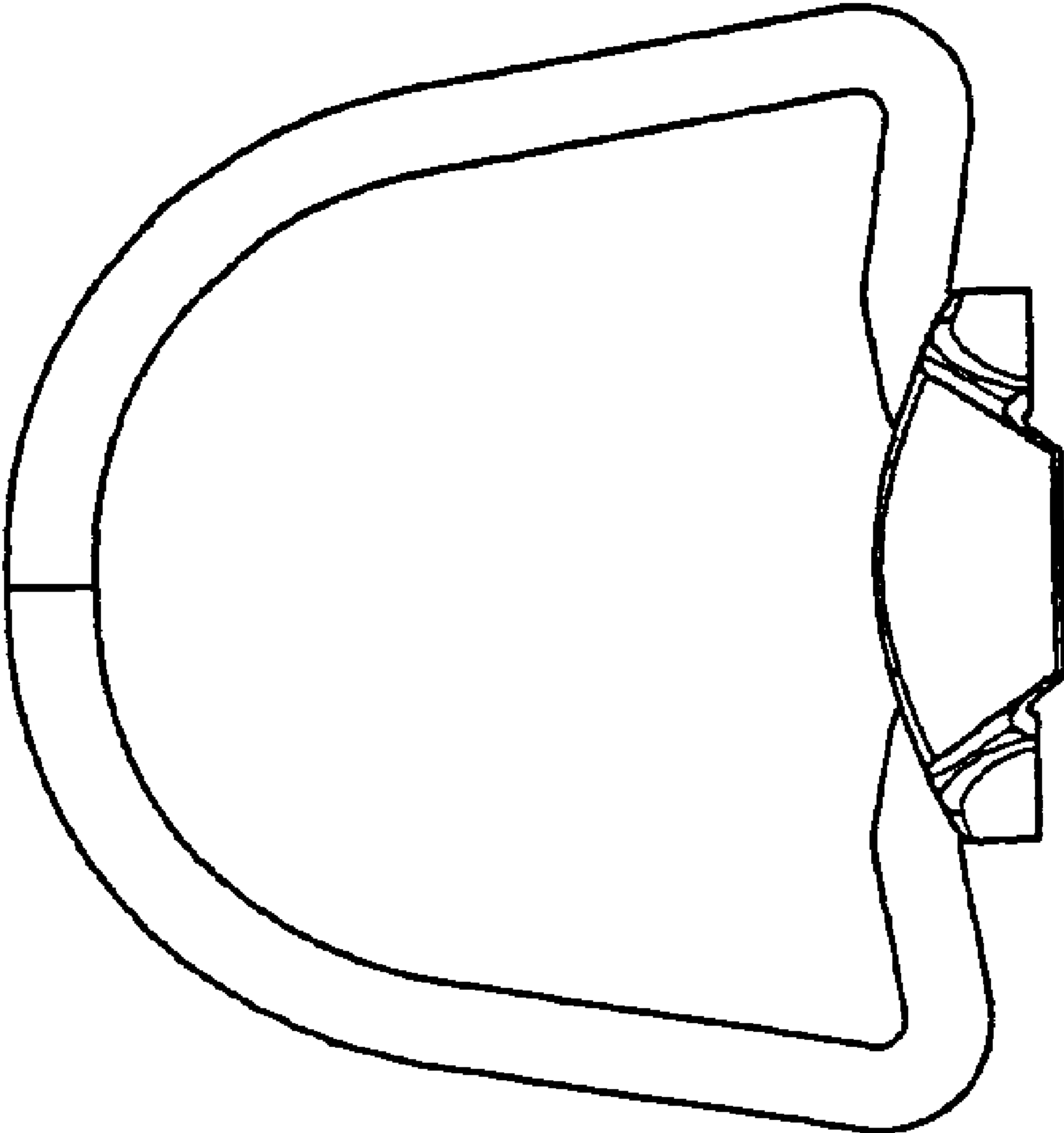


FIG. 8

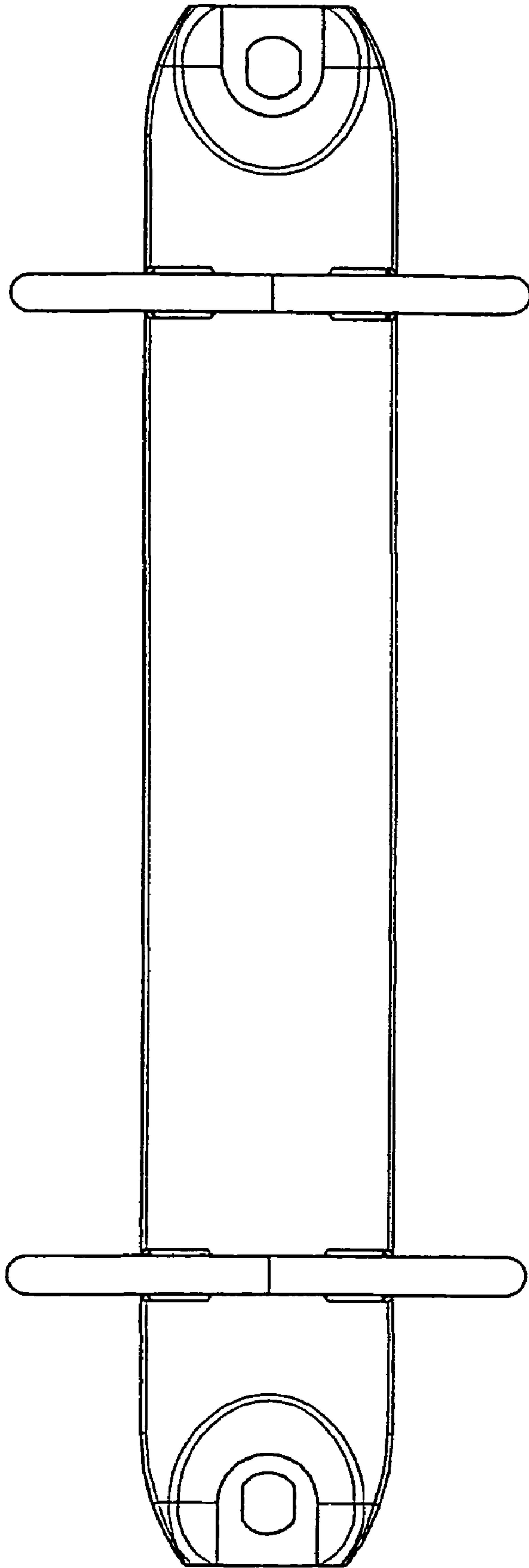


FIG. 9

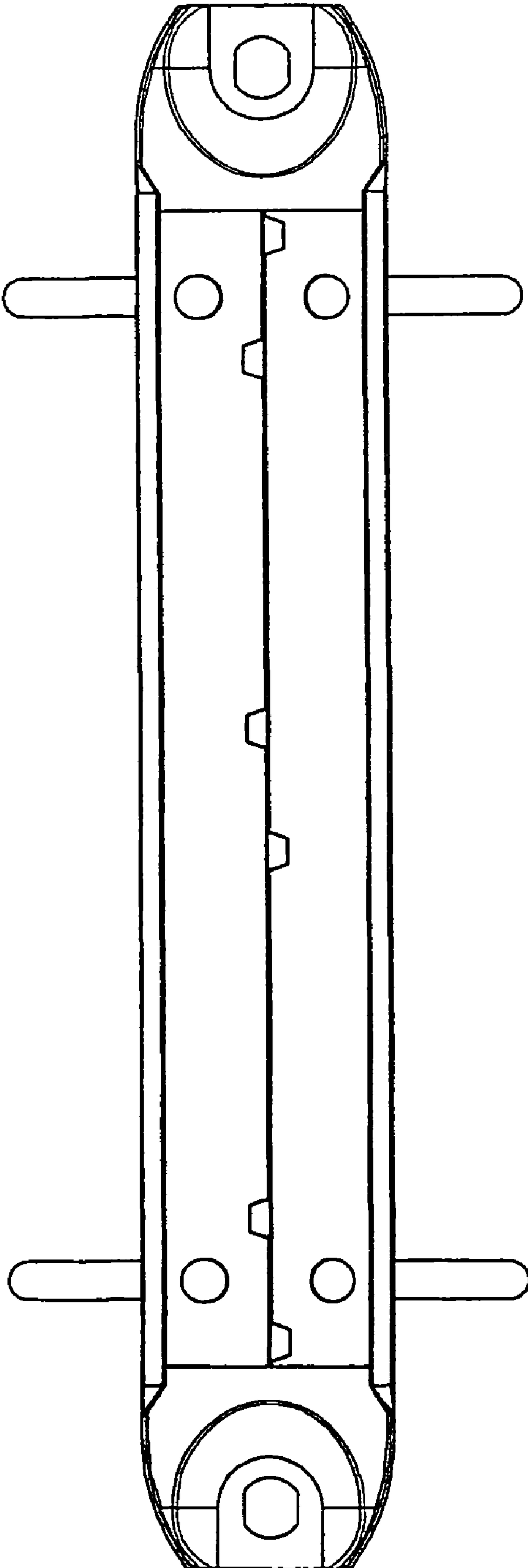


FIG. 10