



US00D598492S

(12) **United States Design Patent**
Romanoff et al.

(10) **Patent No.:** **US D598,492 S**

(45) **Date of Patent:** **** Aug. 18, 2009**

(54) **MULTI-SLOT SHEET FEEDER**

(75) Inventors: **Harris Romanoff**, Narberth, PA (US);
Peter Michaelian, New York, NY (US)

(73) Assignee: **Digital Business Processes, Inc.**,
Philadelphia, PA (US)

(**) Term: **14 Years**

(21) Appl. No.: **29/299,483**

(22) Filed: **Dec. 27, 2007**

(51) **LOC (9) Cl.** **18-99**

(52) **U.S. Cl.** **D18/49**

(58) **Field of Classification Search** D18/36-41,
D18/44-56; 222/DIG. 1; 271/3.14, 8.1,
271/226, 278; 355/97, 99; 358/1.1; 399/1-7,
399/16, 75, 81, 107, 130, 151, 361, 365,
399/367, 381-383, 388

See application file for complete search history.

(56) **References Cited**

U.S. PATENT DOCUMENTS

D294,598 S *	3/1988	Ohmori	D18/46
D339,153 S *	9/1993	Troy et al.	D18/44
D340,739 S *	10/1993	Kashiwabara	D18/49
D369,380 S *	4/1996	Hosoya et al.	D18/49
D378,927 S *	4/1997	Kasahara et al.	D18/50
D450,742 S *	11/2001	Heinz	D18/49
D450,743 S *	11/2001	Heinz	D18/49

D494,213 S * 8/2004 Wong D18/49

* cited by examiner

Primary Examiner—Caron Veynar

Assistant Examiner—Garth Rademaker

(74) *Attorney, Agent, or Firm*—Woodcock Washburn LLP

(57) **CLAIM**

The ornamental design for a multi-slot sheet feeder, as shown and described.

DESCRIPTION

FIG. 1 is a perspective view of a multi-slot sheet feeder in accordance with our new design, shown in use on a sheet scanner;

FIG. 2 is a second perspective view thereof, shown at an enlarged scale;

FIG. 3 is a front elevational view thereof;

FIG. 4 is a rear elevational view thereof;

FIG. 5 is a top plan view thereof;

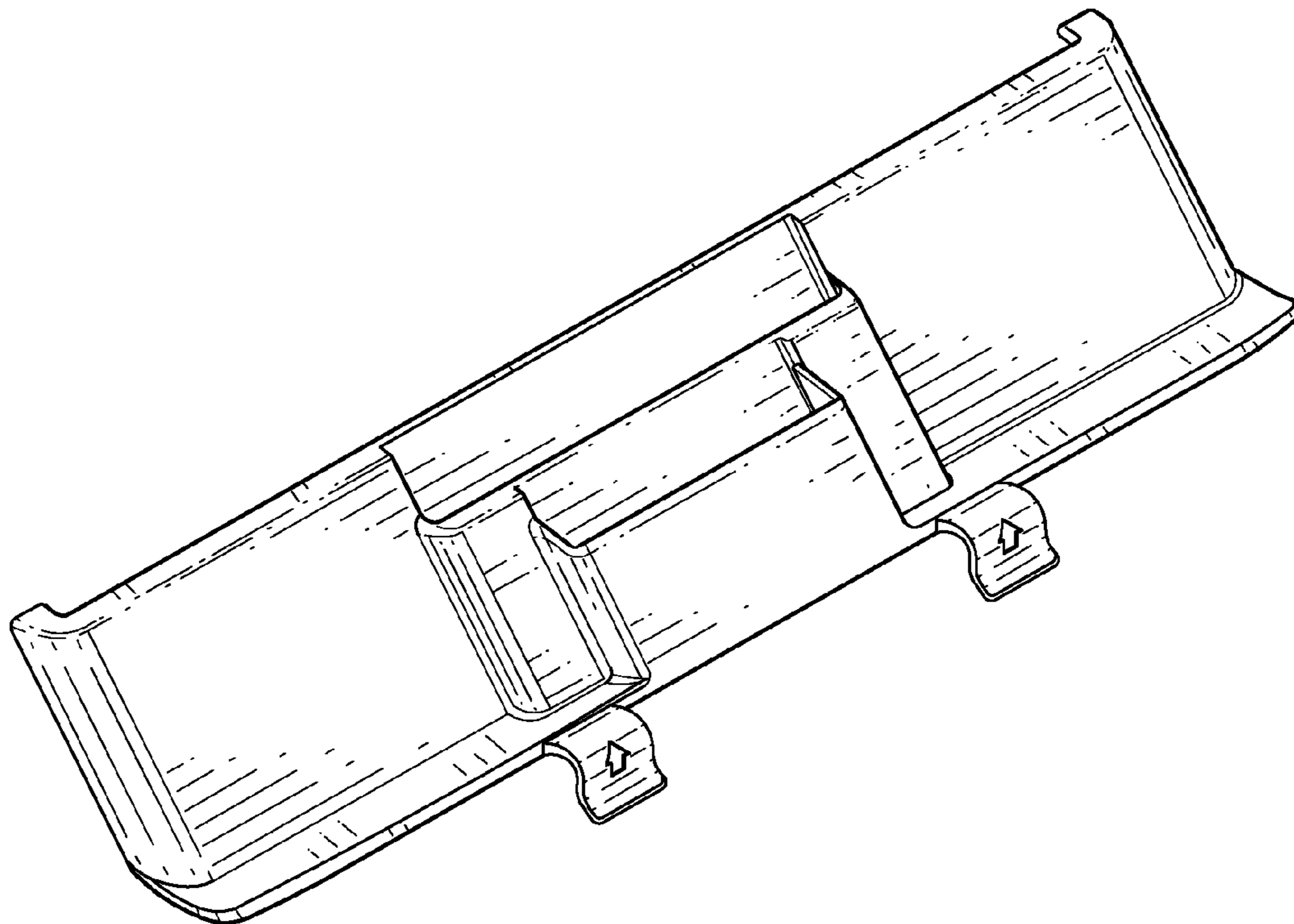
FIG. 6 is a bottom plan view thereof;

FIG. 7 is a left side elevational view thereof, shown at an enlarged scale; and,

FIG. 8 is a right side elevational view thereof, shown at an enlarged scale.

The broken lines in FIGS. 1-8 depict environmental subject matter only and form no part of the claimed design.

1 Claim, 5 Drawing Sheets



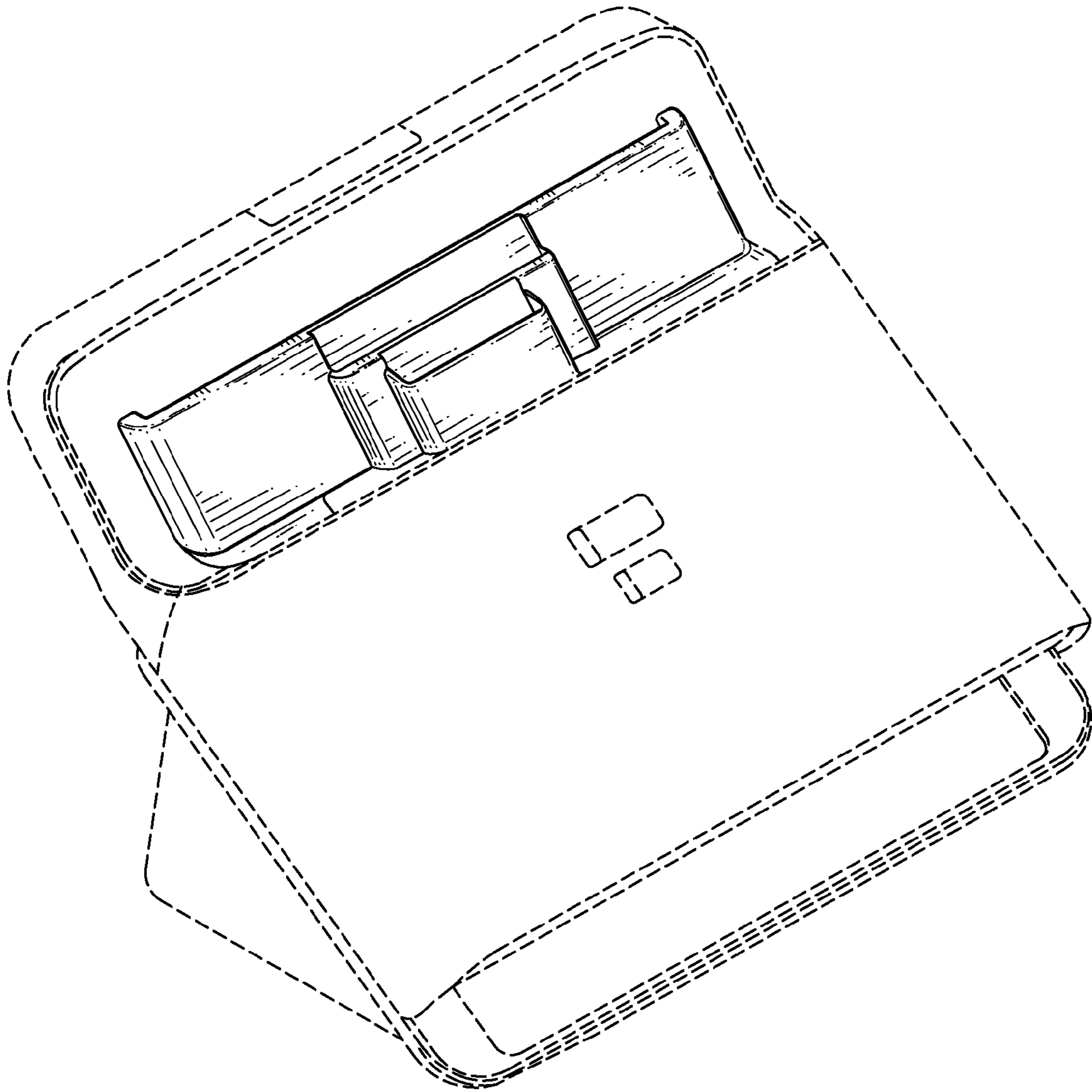


FIG. 1

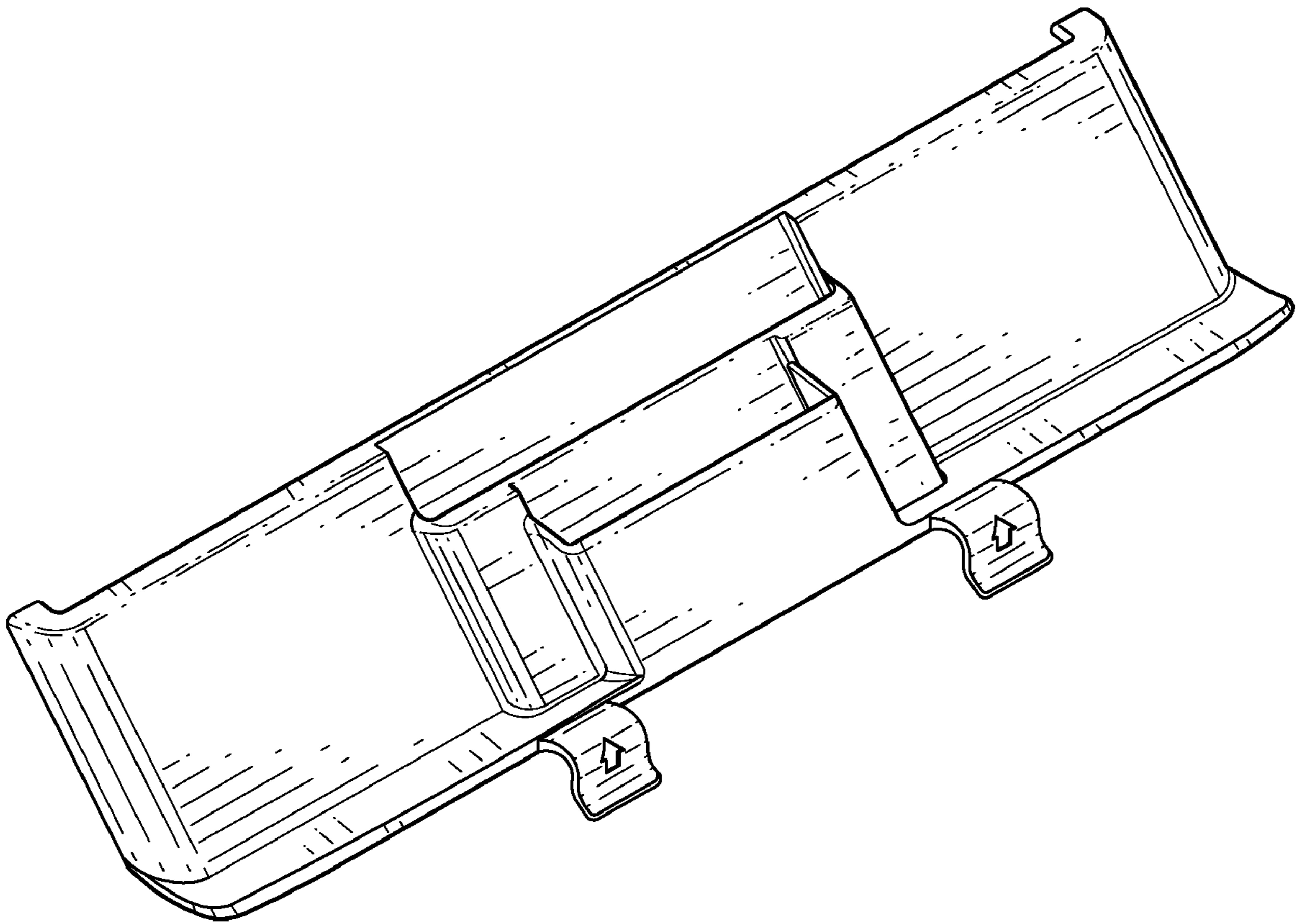


FIG. 2

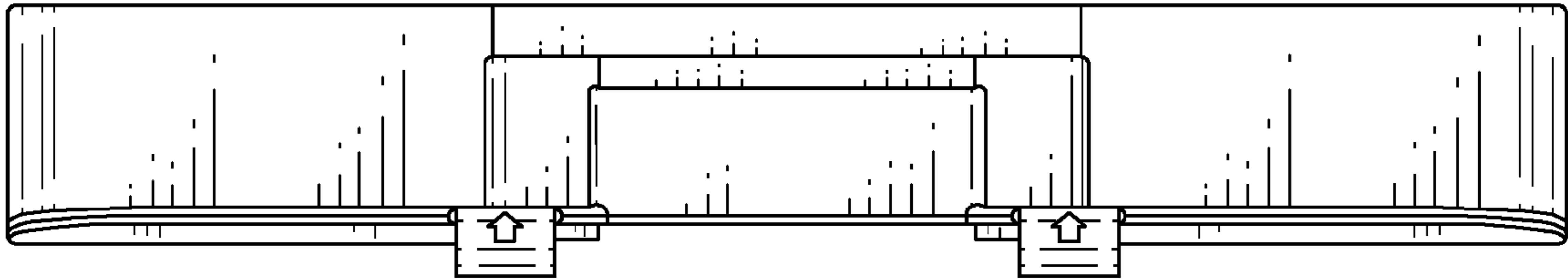


FIG. 3

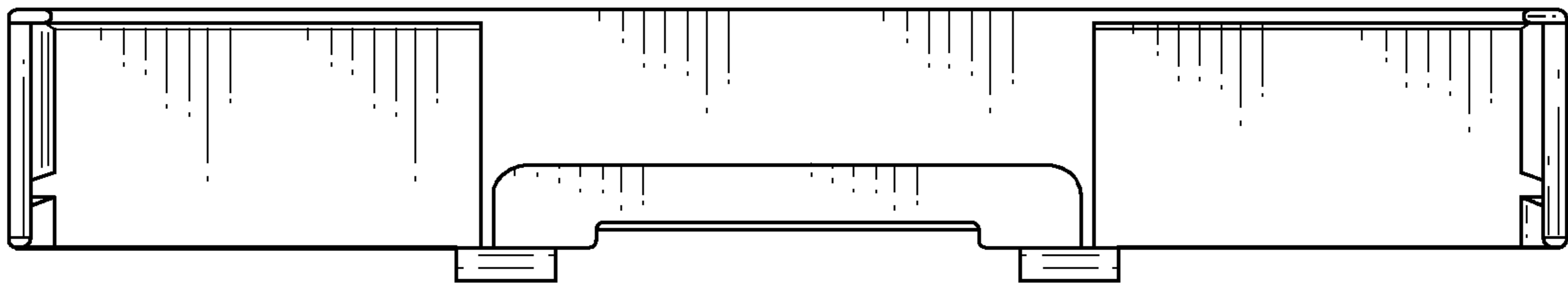


FIG. 4

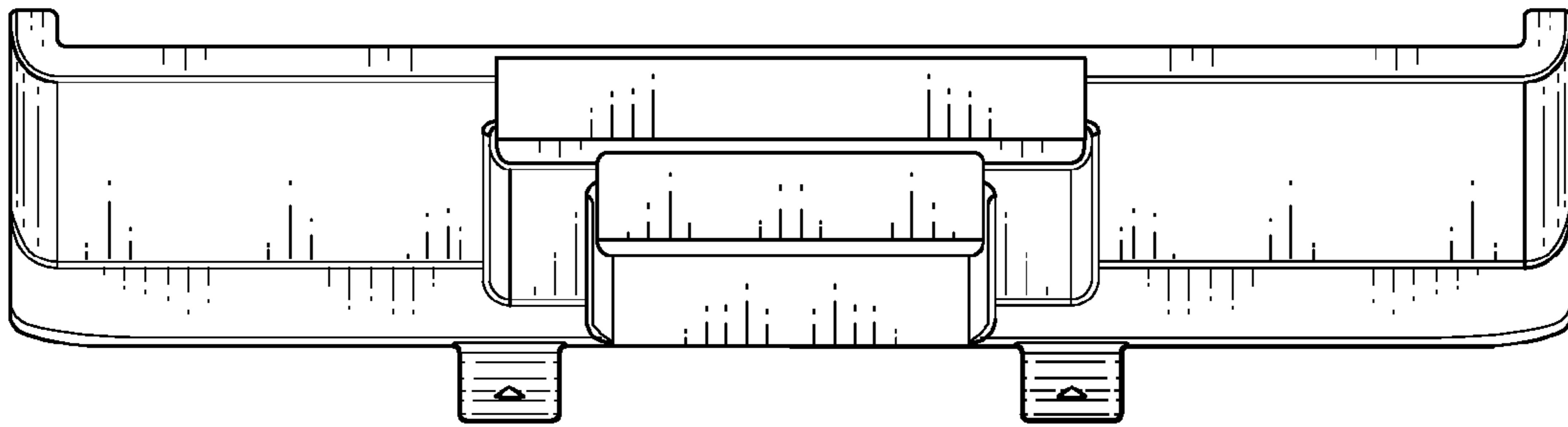


FIG. 5

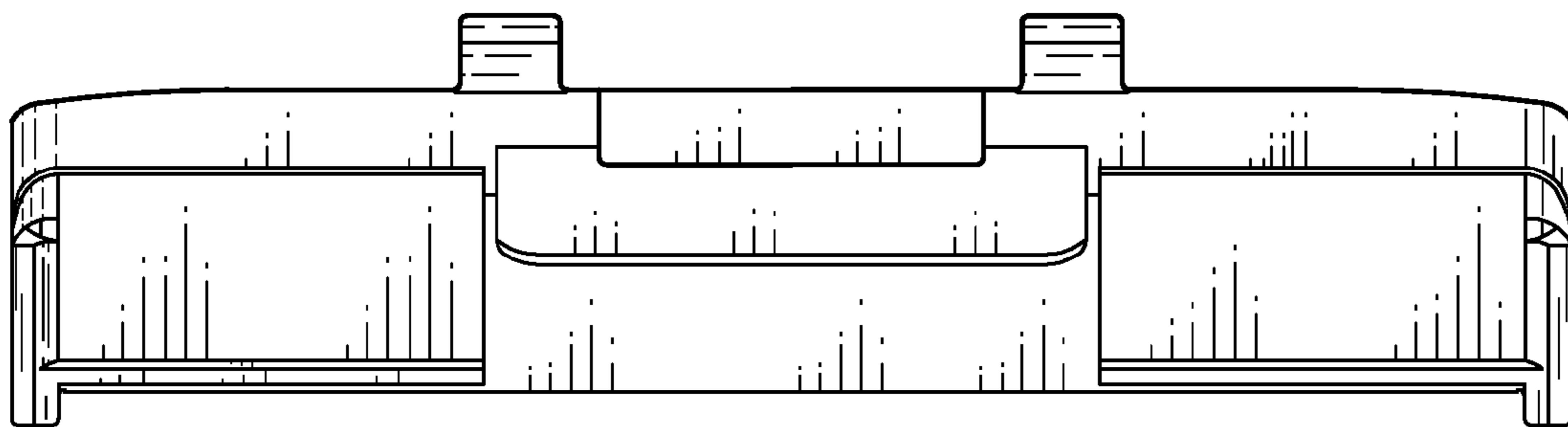


FIG. 6

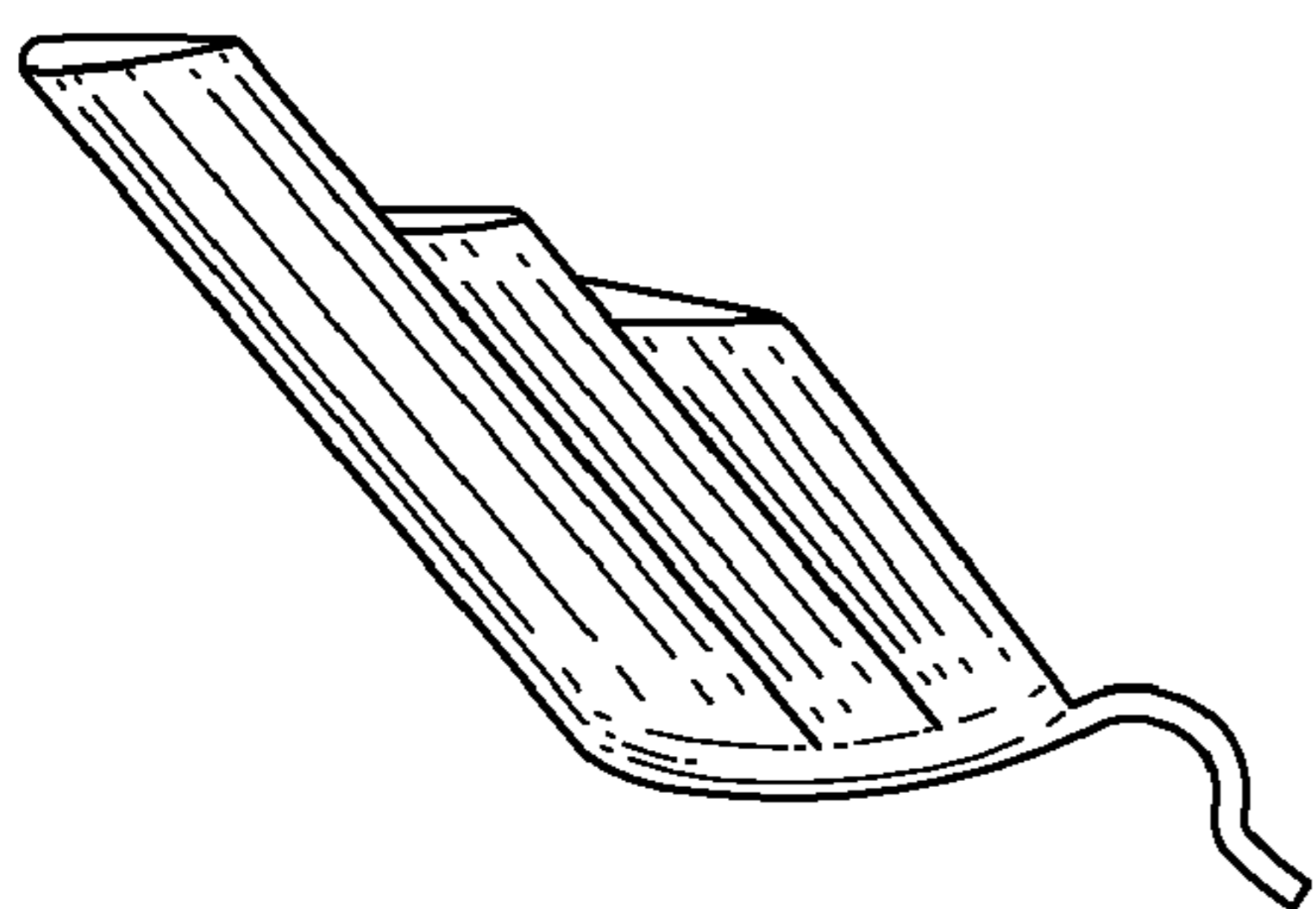


FIG. 7

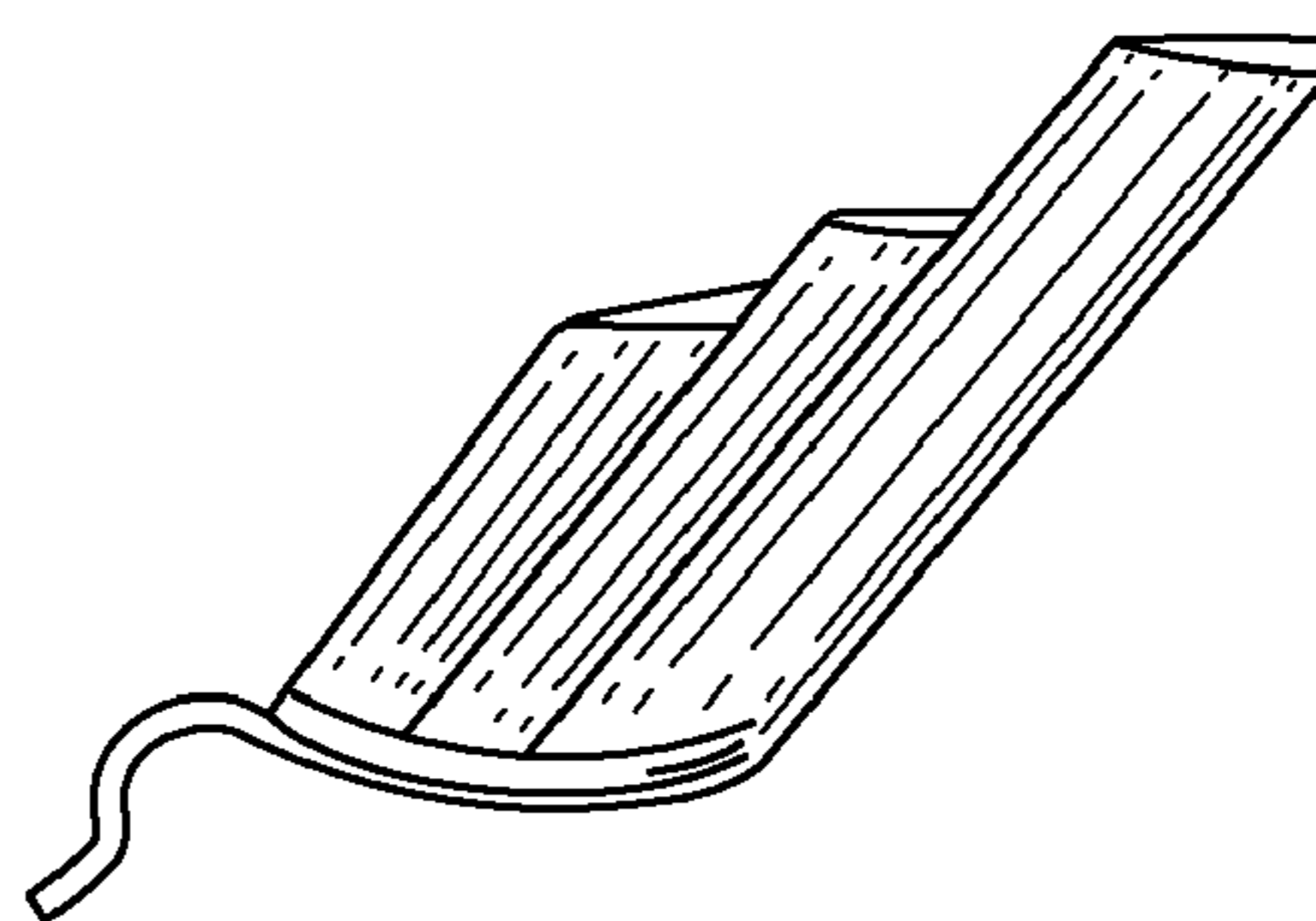


FIG. 8