

US00D598491S

(12) **United States Design Patent**
Kusudo et al.

(10) **Patent No.:** **US D598,491 S**

(45) **Date of Patent:** **** Aug. 18, 2009**

(54) **TONER CARTRIDGE**

(75) Inventors: **Ryoji Kusudo**, Mishima (JP); **Noriyuki Komatsu**, Numazu (JP); **Takeshi Arimitsu**, Odawara (JP)

(73) Assignee: **Canon Kabushiki Kaisha**, Tokyo (JP)

(**) Term: **14 Years**

(21) Appl. No.: **29/317,112**

(22) Filed: **Apr. 23, 2008**

(30) **Foreign Application Priority Data**

Oct. 29, 2007 (JP) 2007-029683

(51) **LOC (9) Cl.** **16-03**

(52) **U.S. Cl.** **D18/43**

(58) **Field of Classification Search** D14/471;
D18/12, 36, 40, 43, 44, 56; 222/DIG. 1;
347/197, 222; 399/24-28, 107-112, 119,
399/121, 122, 222-224

See application file for complete search history.

(56) **References Cited**

U.S. PATENT DOCUMENTS

D367,880 S * 3/1996 Miyamoto D18/43
6,070,029 A * 5/2000 Nishiuwatoko et al. 399/111
D474,232 S 5/2003 Kawai et al. D18/40
D474,497 S 5/2003 Kawai et al. D18/40
D479,263 S * 9/2003 Batori et al. D18/40

D489,753 S * 5/2004 Batori et al. D18/40
D508,074 S * 8/2005 Batori et al. D18/40
2003/0235429 A1 * 12/2003 Sato et al. 399/111
2006/0285878 A1 * 12/2006 Arimitsu et al. 399/111

* cited by examiner

Primary Examiner—Caron Veynar

Assistant Examiner—Garth Rademaker

(74) *Attorney, Agent, or Firm*—Fitzpatrick, Cella, Harper & Scinto

(57) **CLAIM**

The ornamental design for a toner cartridge, as shown and described.

DESCRIPTION

FIG. 1 is a front view of a toner cartridge showing our new design;

FIG. 2 is a rear view thereof;

FIG. 3 is a top plan view thereof;

FIG. 4 is a bottom plan view thereof;

FIG. 5 is a left side view thereof;

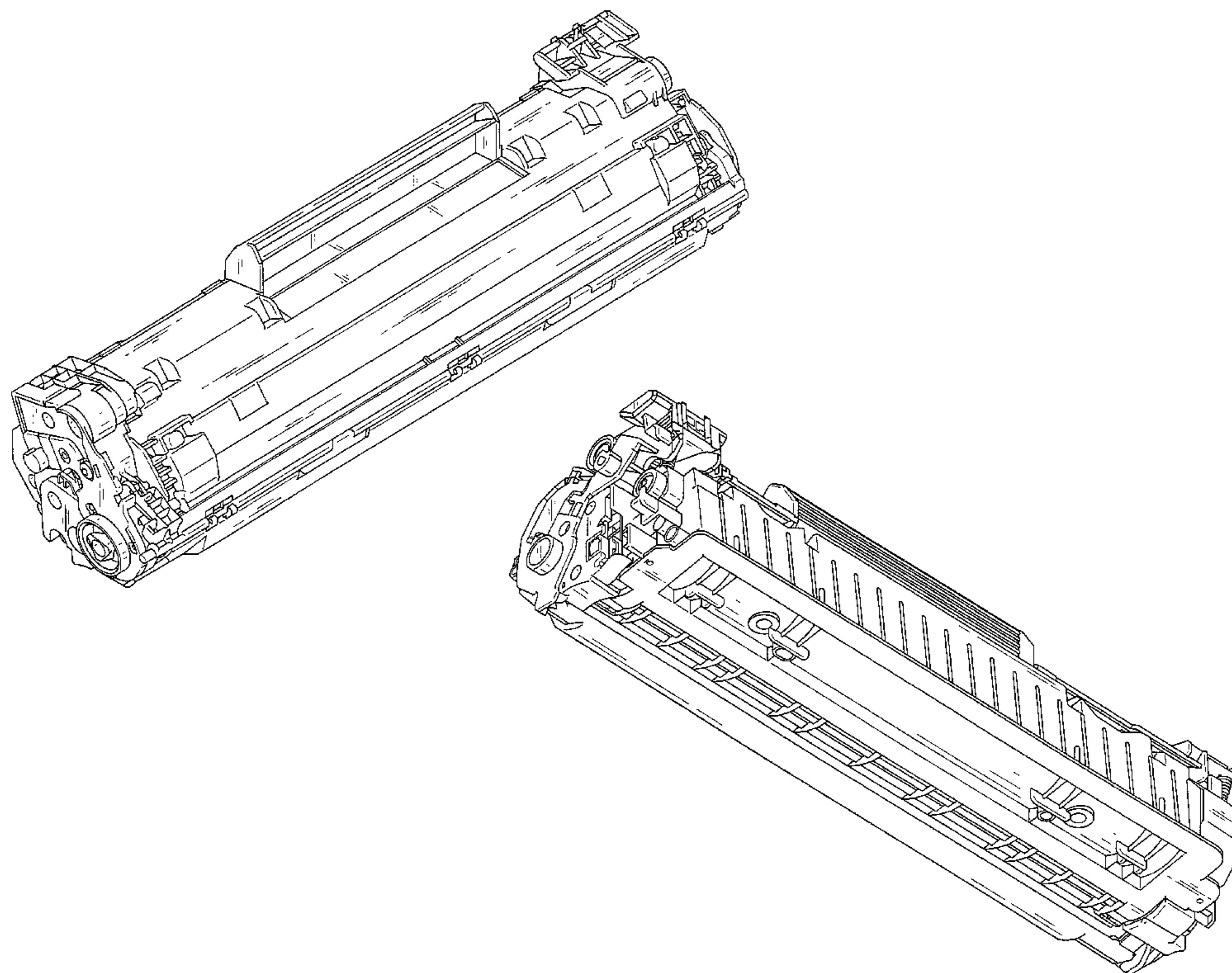
FIG. 6 is a right side view thereof;

FIG. 7 is a perspective view as viewed from top thereof; and,

FIG. 8 is a perspective view as viewed from bottom thereof.

The broken lines depict environmental subject matter only and form no part of the claimed design.

1 Claim, 7 Drawing Sheets



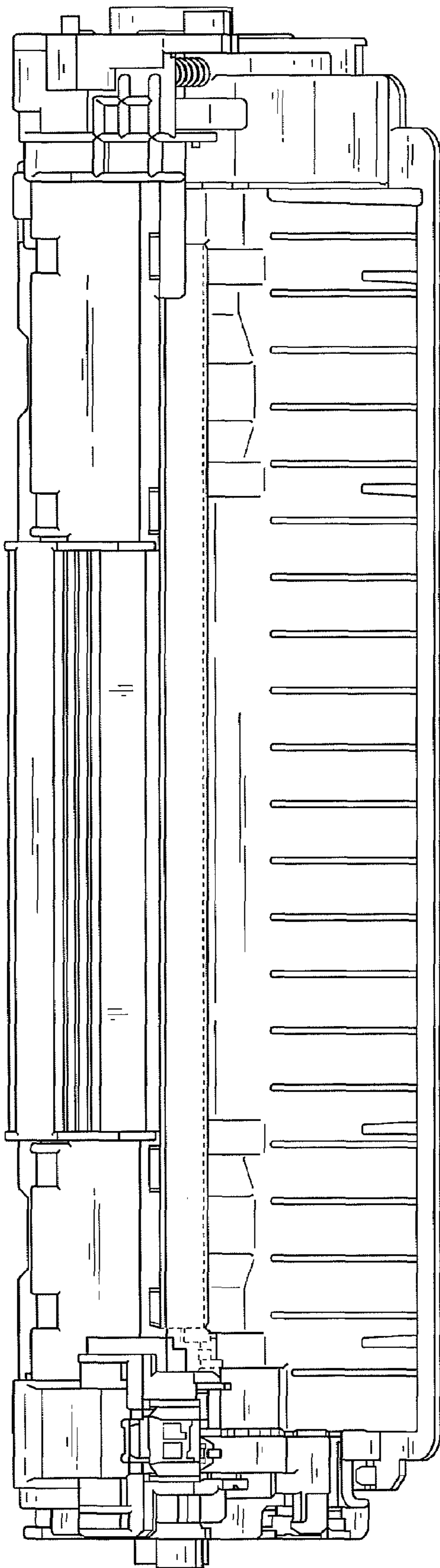


FIG. 1

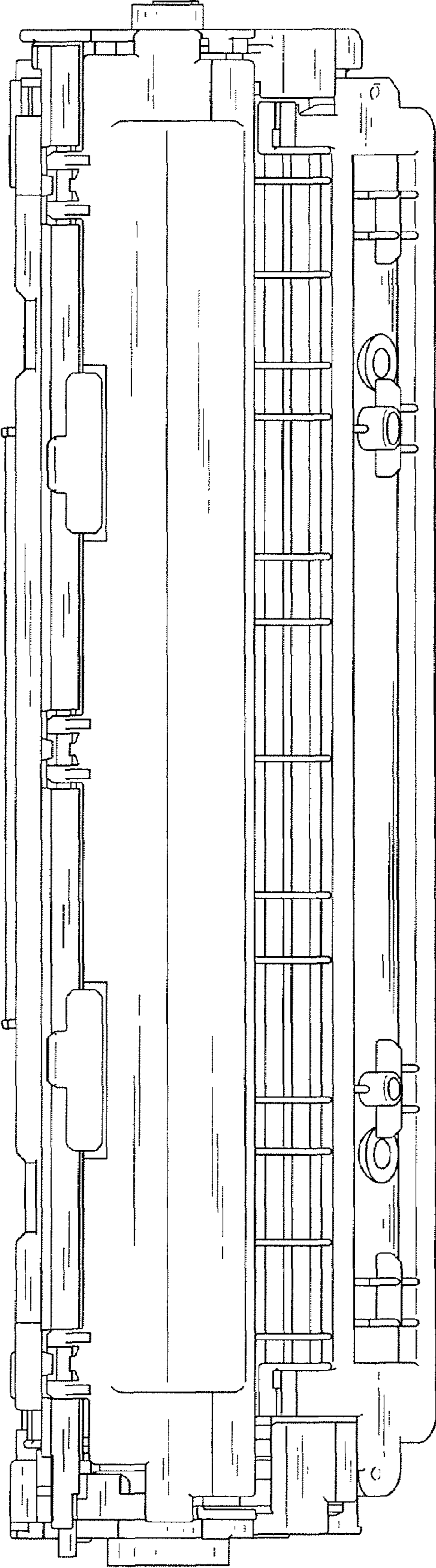


FIG. 2

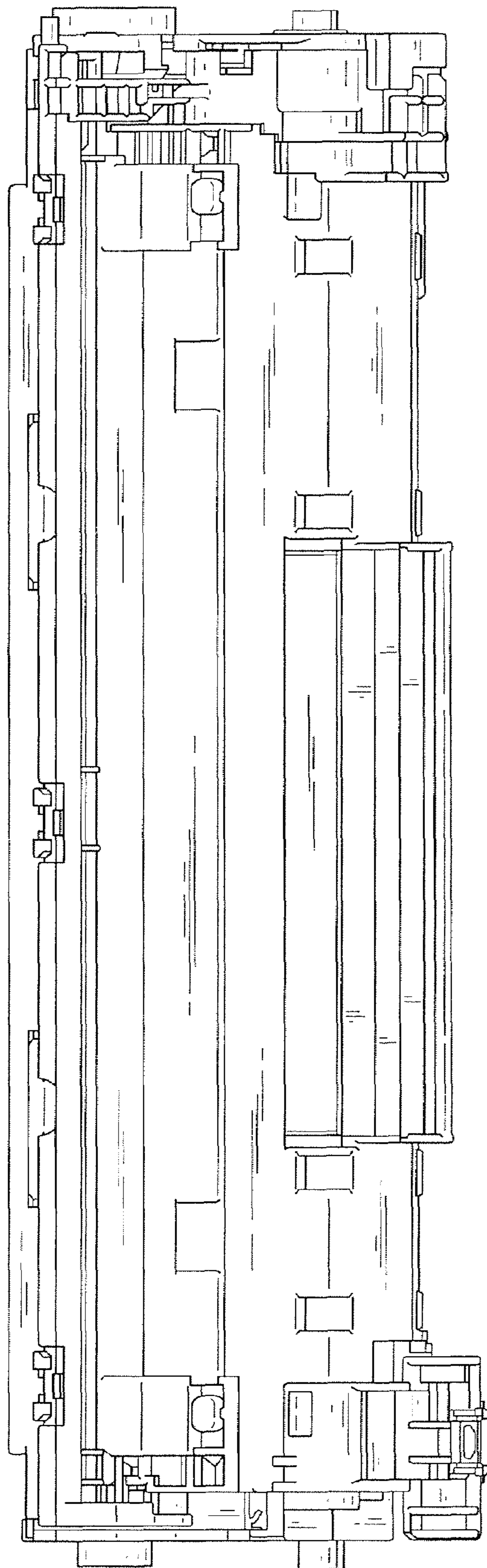


FIG. 3

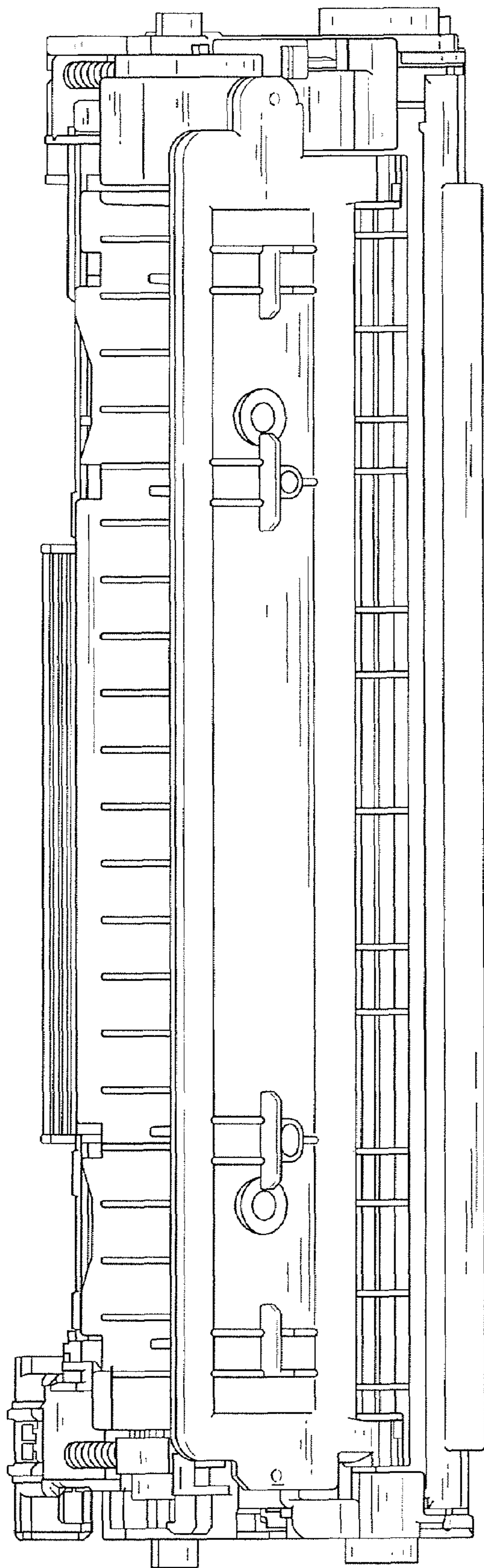


FIG. 4

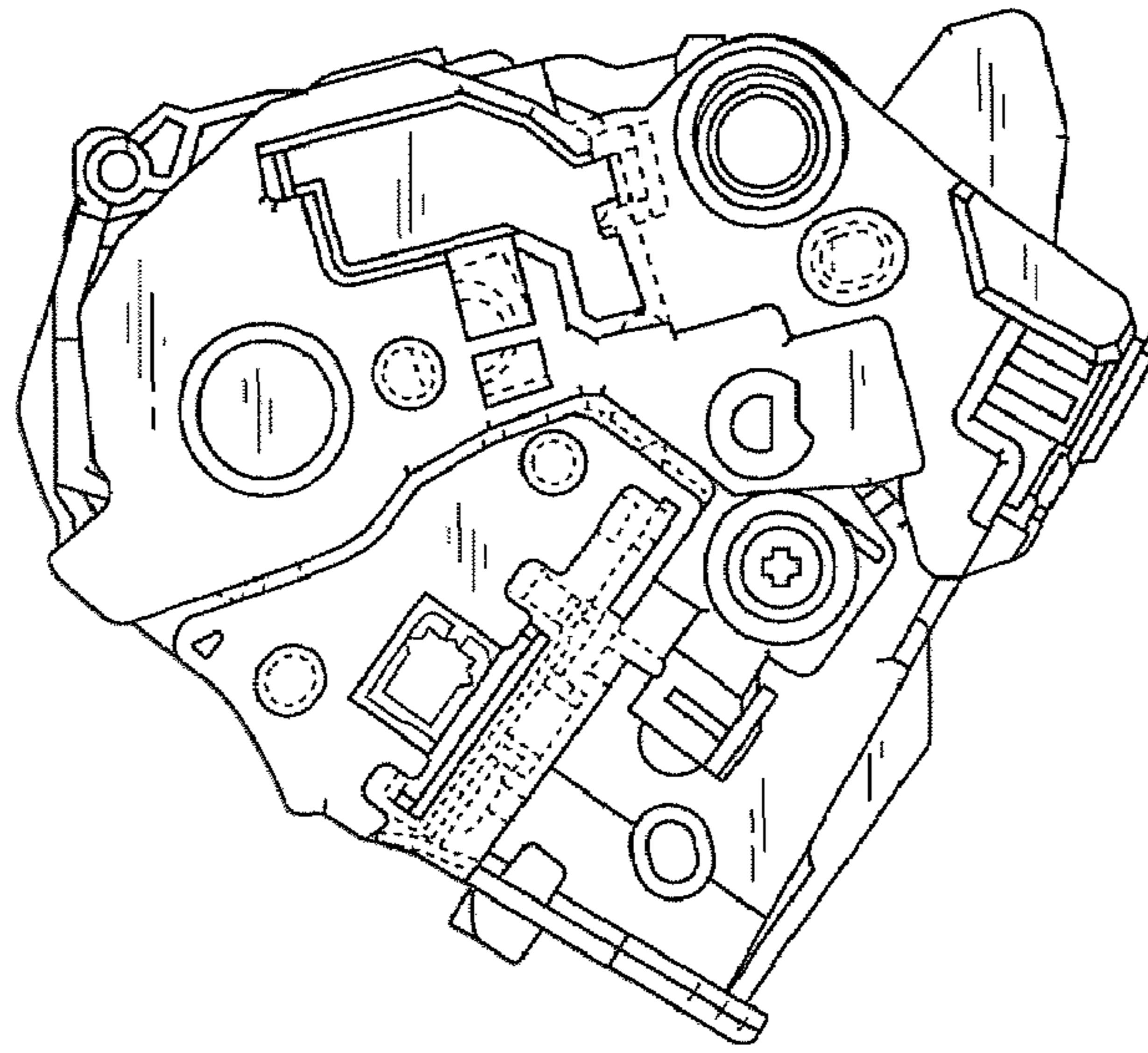


FIG. 5

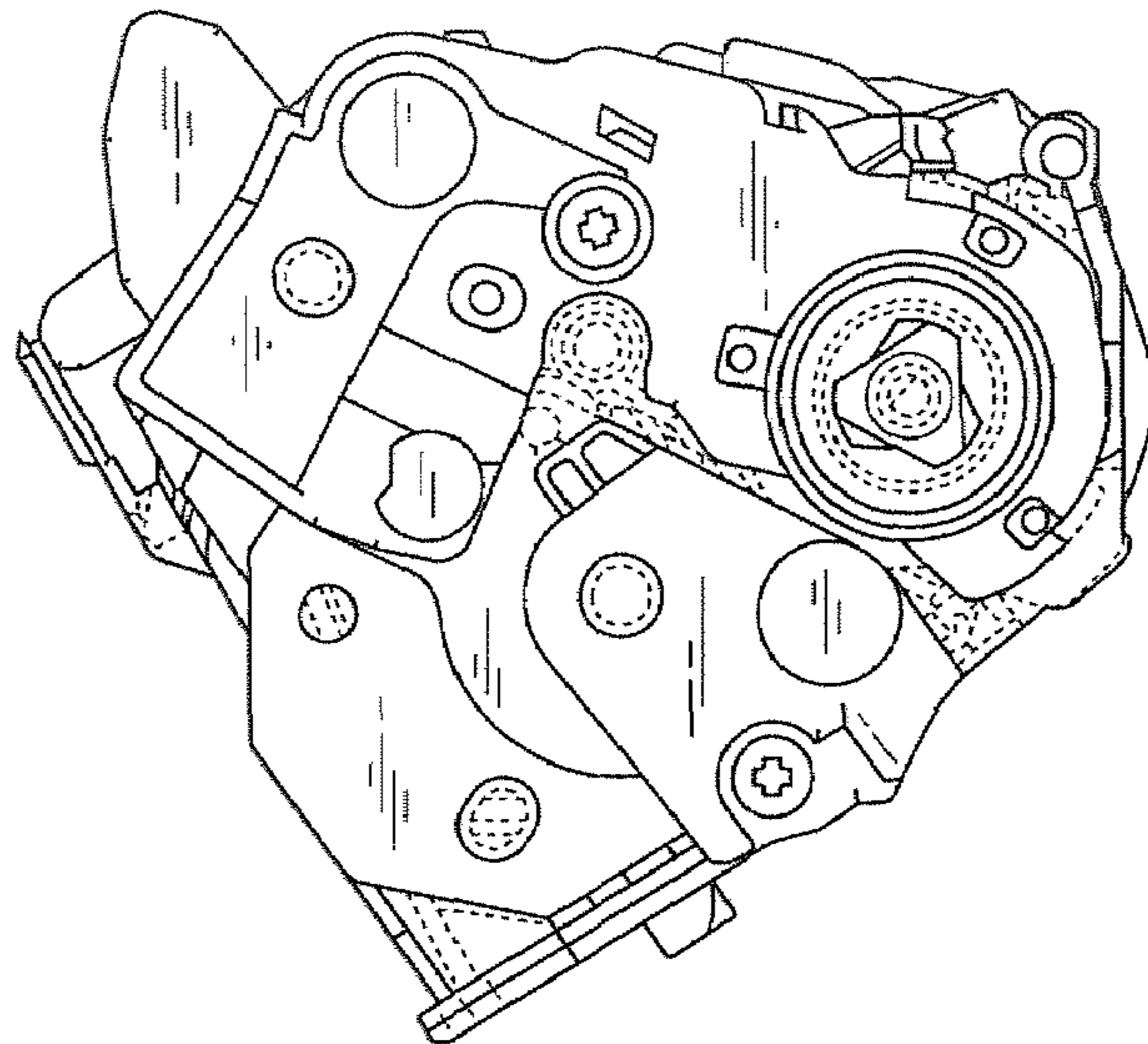


FIG. 6

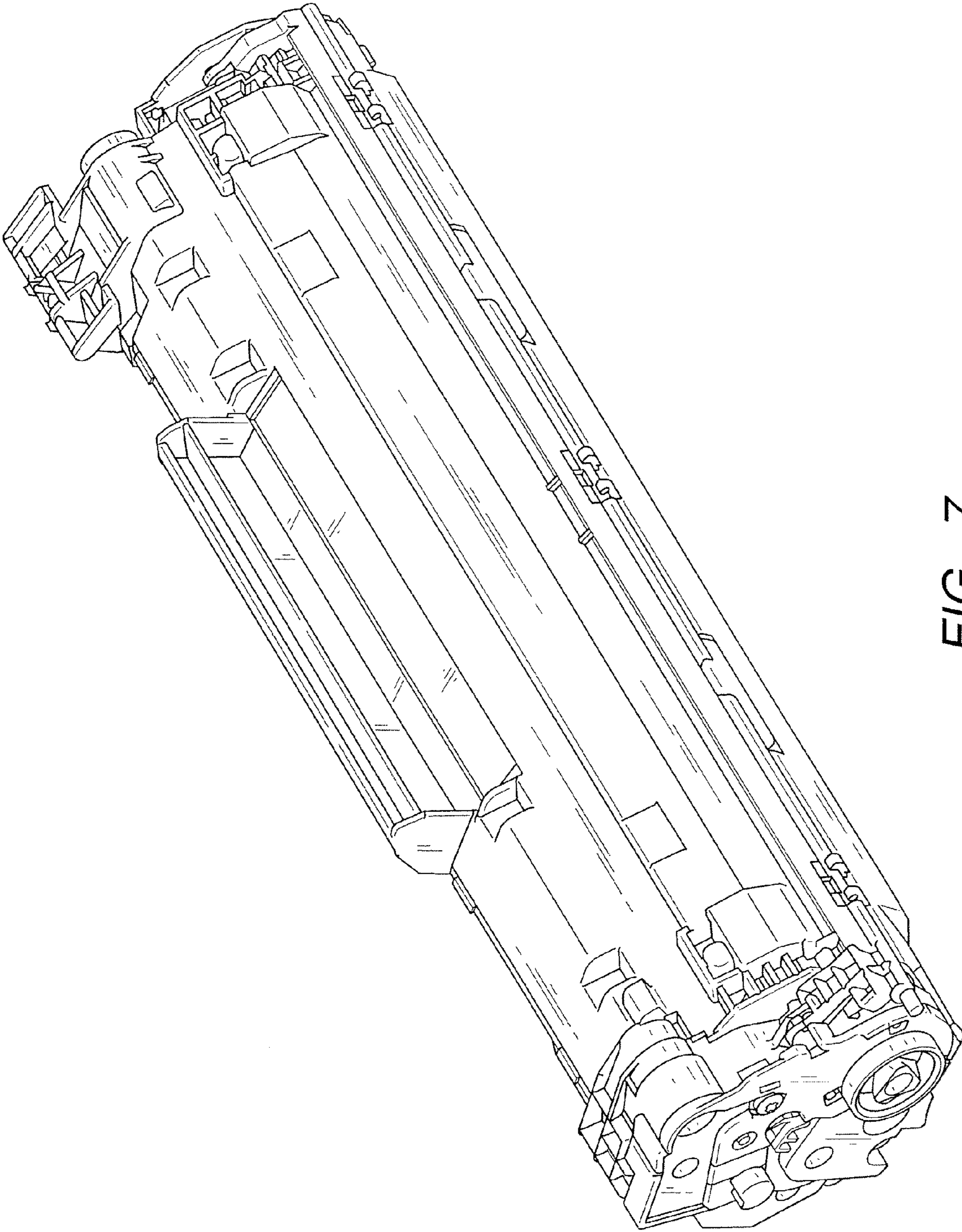


FIG. 7

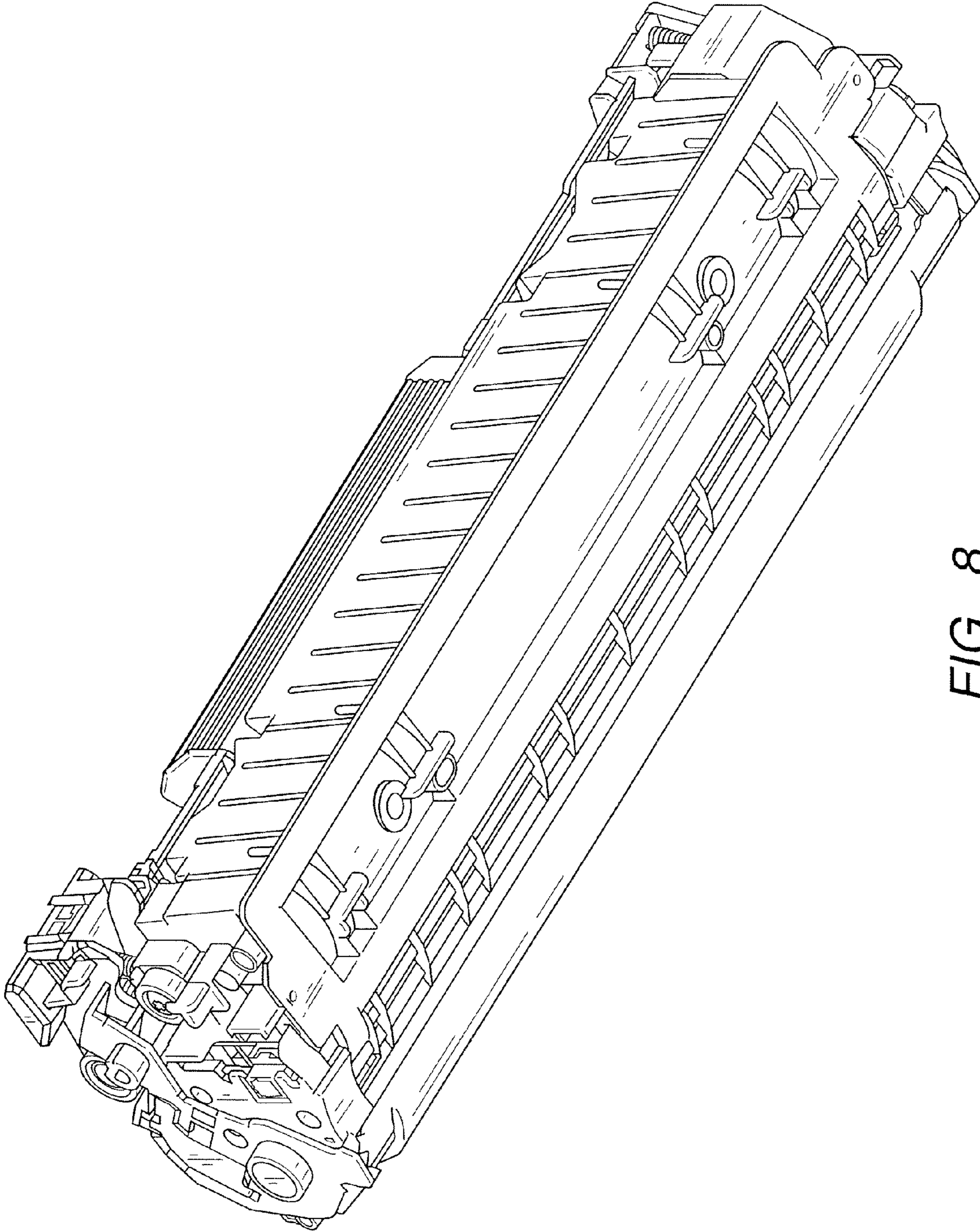


FIG. 8