



US00D598490S

(12) **United States Design Patent**  
**Kurenuma et al.**

(10) **Patent No.:** **US D598,490 S**

(45) **Date of Patent:** **\*\* \*Aug. 18, 2009**

(54) **TONER CARTRIDGE**

(75) Inventors: **Takeroh Kurenuma**, Kanagawa (JP);  
**Nobuyuki Taguchi**, Kanagawa (JP);  
**Masayuki Yamane**, Kanagawa (JP);  
**Takayasu Nakao**, Tokyo (JP)

(73) Assignee: **Ricoh Company, Ltd.**, Tokyo (JP)

(\*) Notice: This patent is subject to a terminal disclaimer.

(\*\*) Term: **14 Years**

(21) Appl. No.: **29/269,767**

(22) Filed: **Dec. 8, 2006**

(30) **Foreign Application Priority Data**

Jun. 13, 2006 (JP) ..... 2006-015232

(51) **LOC (9) Cl.** ..... **16-03**

(52) **U.S. Cl.** ..... **D18/43**

(58) **Field of Classification Search** ..... D13/182;  
D14/230, 462, 471, 474-477, 481-484; D18/12,  
D18/36, 40, 43, 44, 56; 222/DIG. 1; 347/49,  
347/214, 222; 399/24-27, 107-111; 400/194,  
400/196, 205, 207, 242  
See application file for complete search history.

(56) **References Cited**

**U.S. PATENT DOCUMENTS**

D451,893 S \* 12/2001 Robson ..... D13/182  
D472,572 S \* 4/2003 Kaiho ..... D18/43  
D474,472 S \* 5/2003 Maekawa et al. .... D14/436  
D487,430 S \* 3/2004 Asaka et al. .... D14/435  
D491,557 S \* 6/2004 Iwai et al. .... D14/230

6,882,810 B2 \* 4/2005 Karagiannis et al. .... 399/109  
D531,662 S \* 11/2006 Tsuda et al. .... D18/43  
D532,037 S \* 11/2006 Tsuda et al. .... D18/43  
2002/0025185 A1 \* 2/2002 Ito et al. .... 399/111  
2002/0025186 A1 \* 2/2002 Karakama et al. .... 399/111  
2007/0212119 A1 \* 9/2007 Kurenuma et al. .... 399/262  
2007/0296761 A1 \* 12/2007 Silverbrook et al. .... 347/49

\* cited by examiner

*Primary Examiner*—Caron Veynar

*Assistant Examiner*—Garth Rademaker

(74) *Attorney, Agent, or Firm*—Dickstein Shapiro LLP

(57) **CLAIM**

The ornamental design for a toner cartridge, as shown and described.

**DESCRIPTION**

FIG. 1 is a front elevation of a toner cartridge according to the present invention;

FIG. 2 is a rear elevation view thereof;

FIG. 3 is a top plan view thereof;

FIG. 4 is a bottom plan view thereof;

FIG. 5 is a right side elevation view thereof;

FIG. 6 is a left side elevation view thereof;

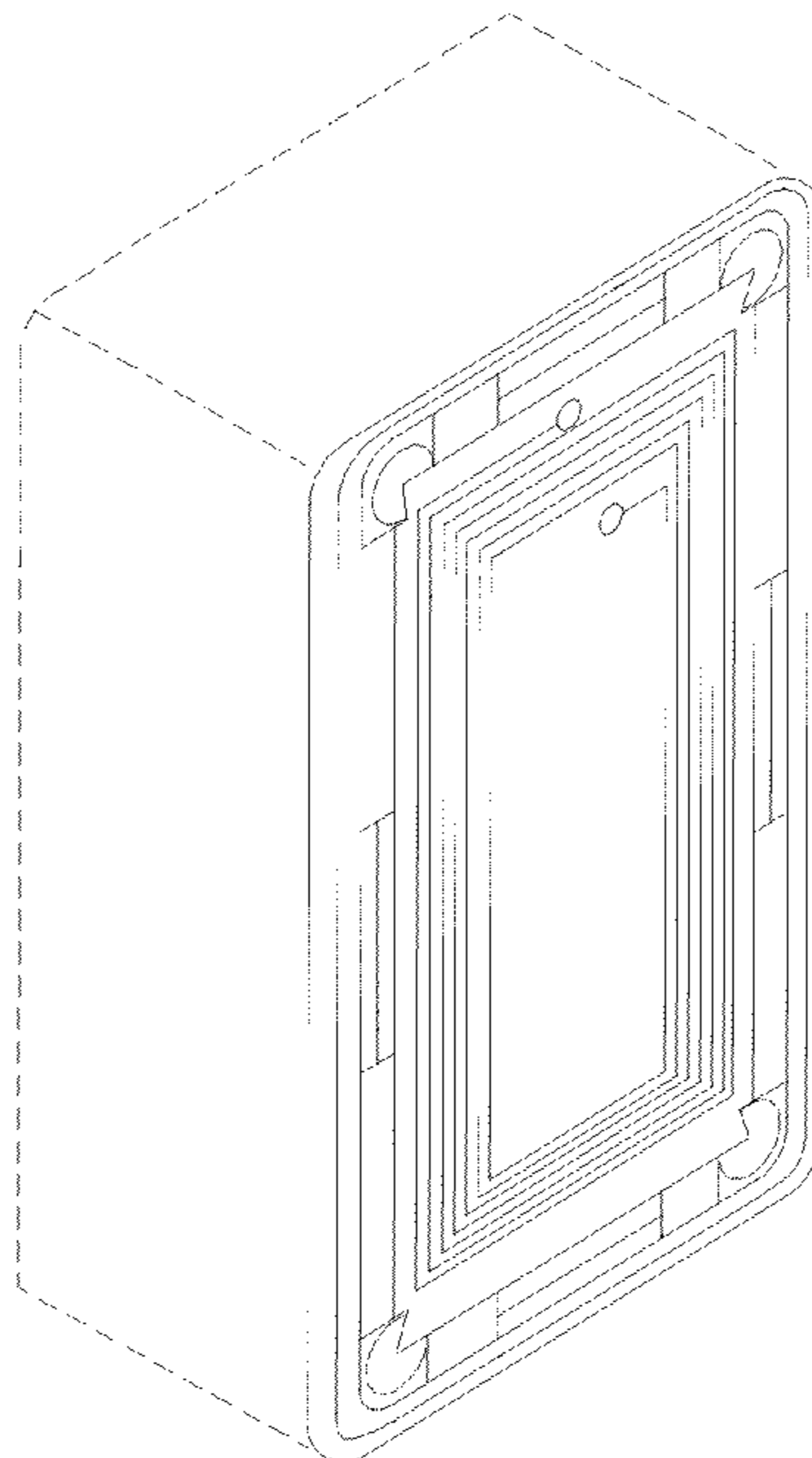
FIG. 7 is a top, front and right side perspective view thereof;

FIG. 8 is a right side elevation view thereof, shown at an enlarged scale; and,

FIG. 9 is a top, front and right side perspective view thereof, shown at an enlarged scale.

The broken lines depict environmental subject matter only and form no part of the claimed design.

**1 Claim, 4 Drawing Sheets**



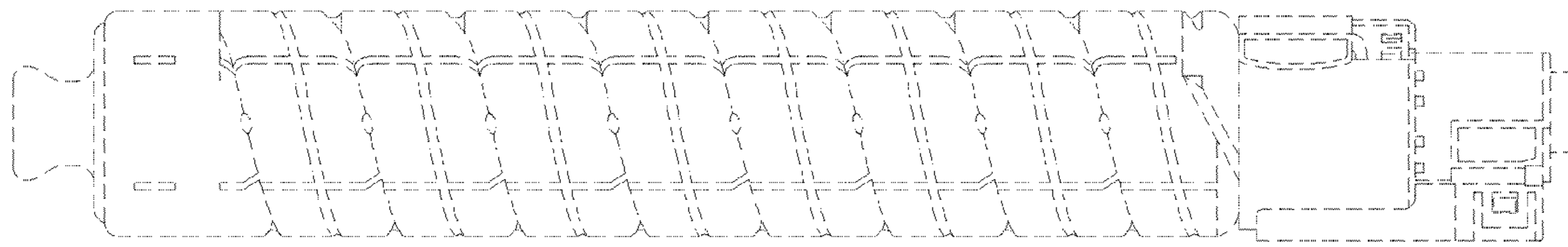


FIG. 1

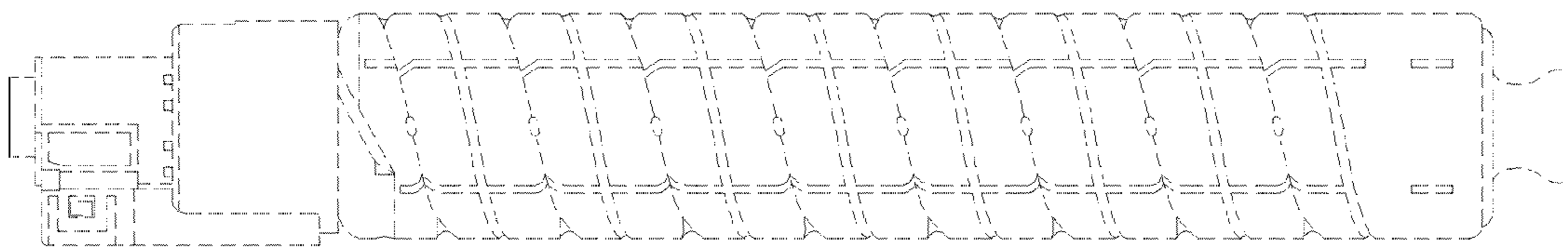


FIG. 2

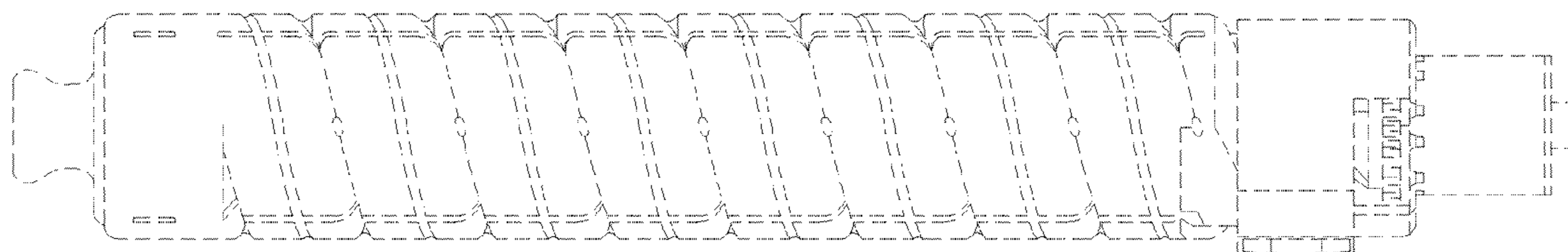


FIG. 3

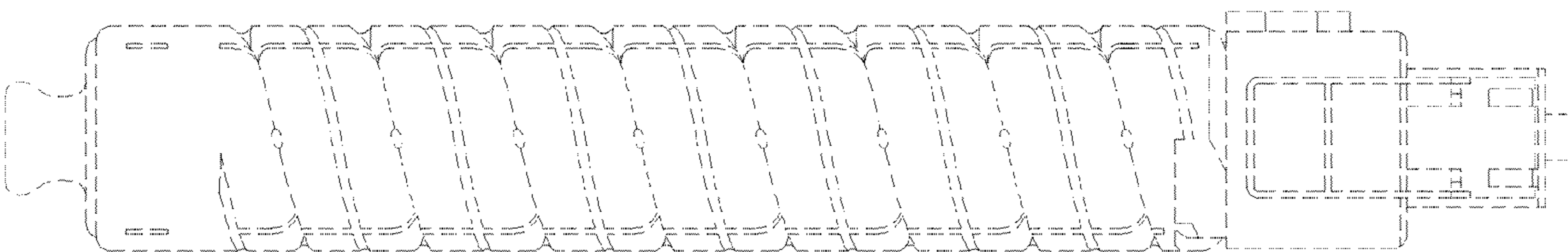


FIG. 4

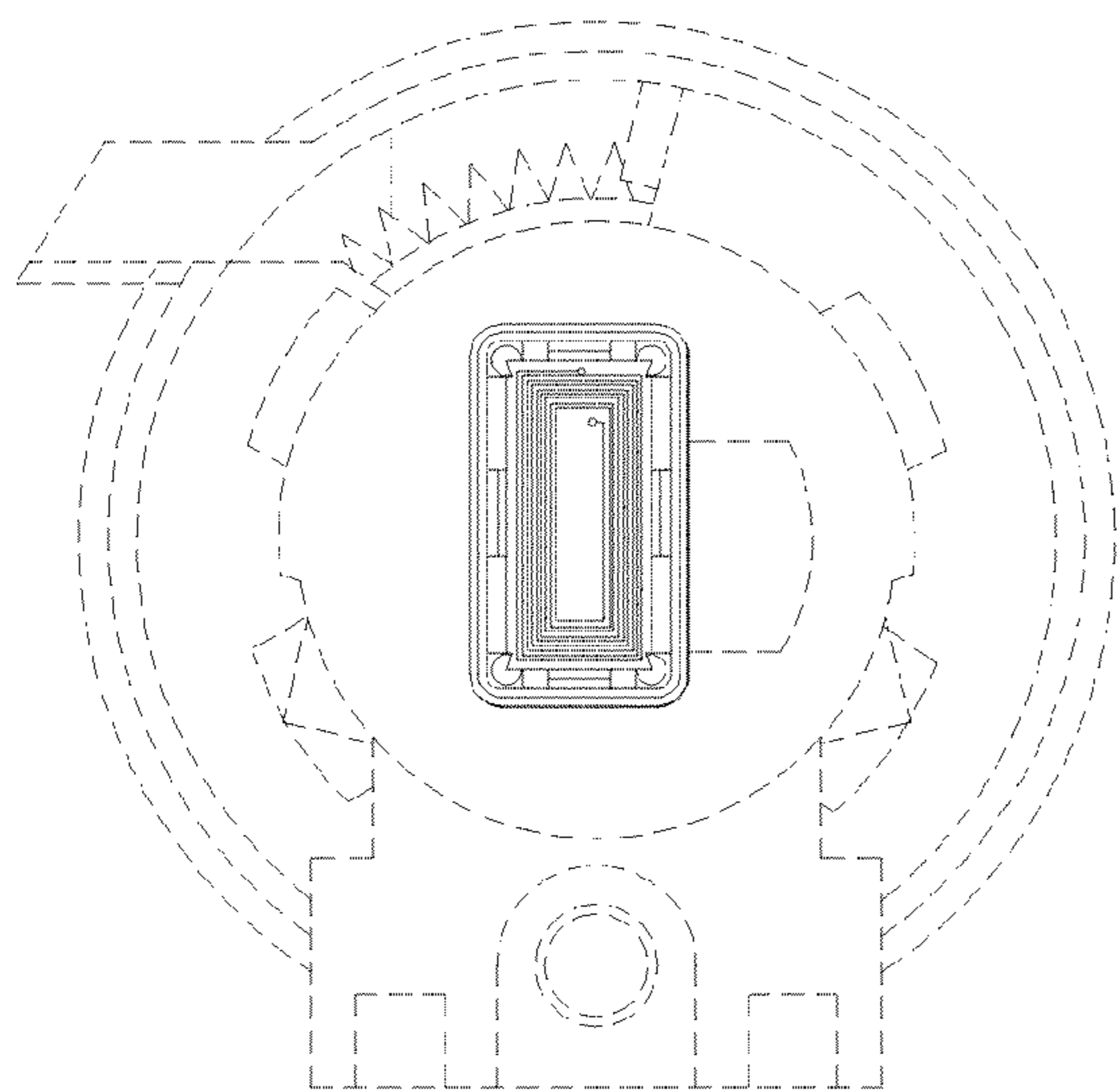


FIG. 5

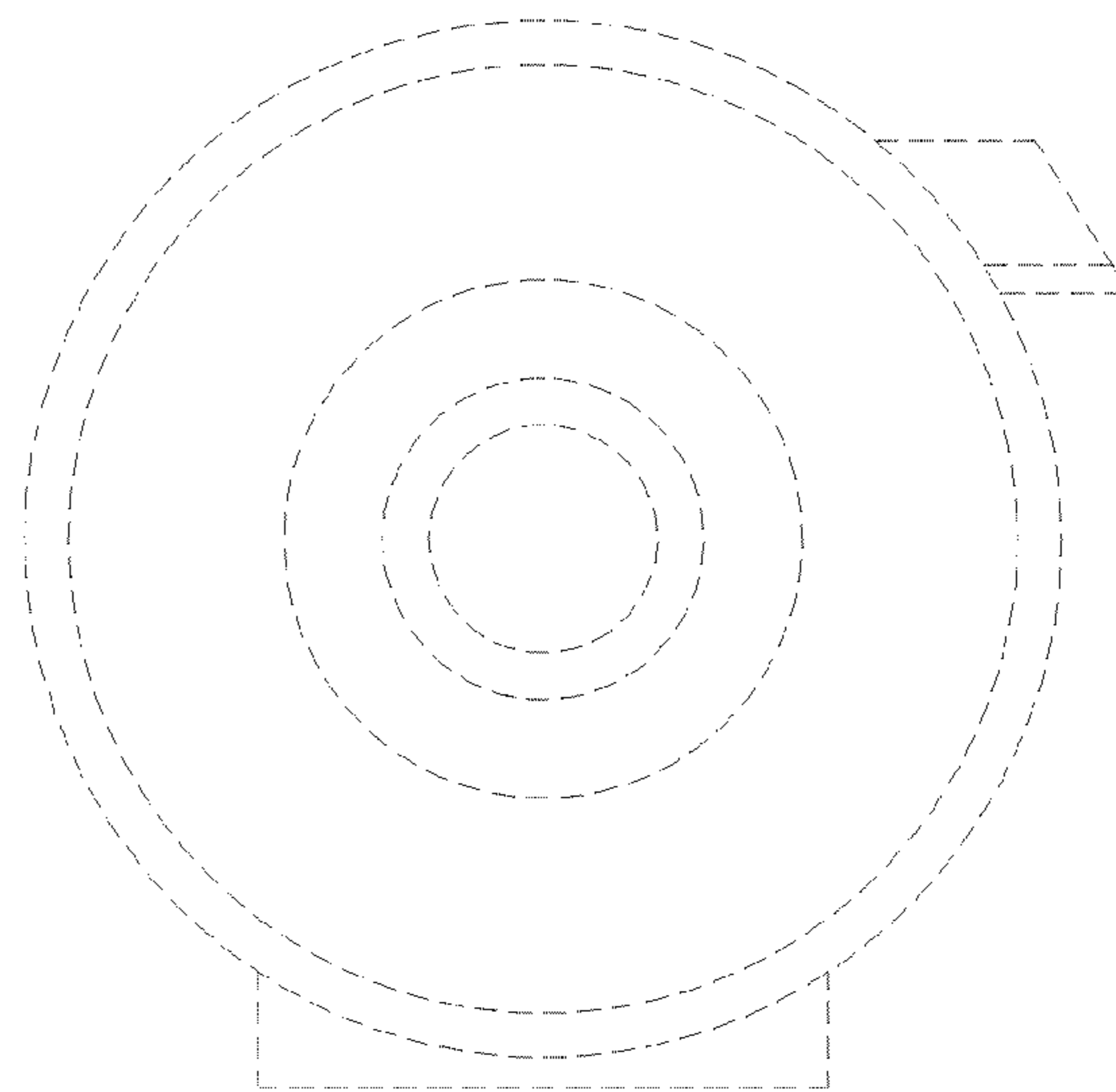


FIG. 6

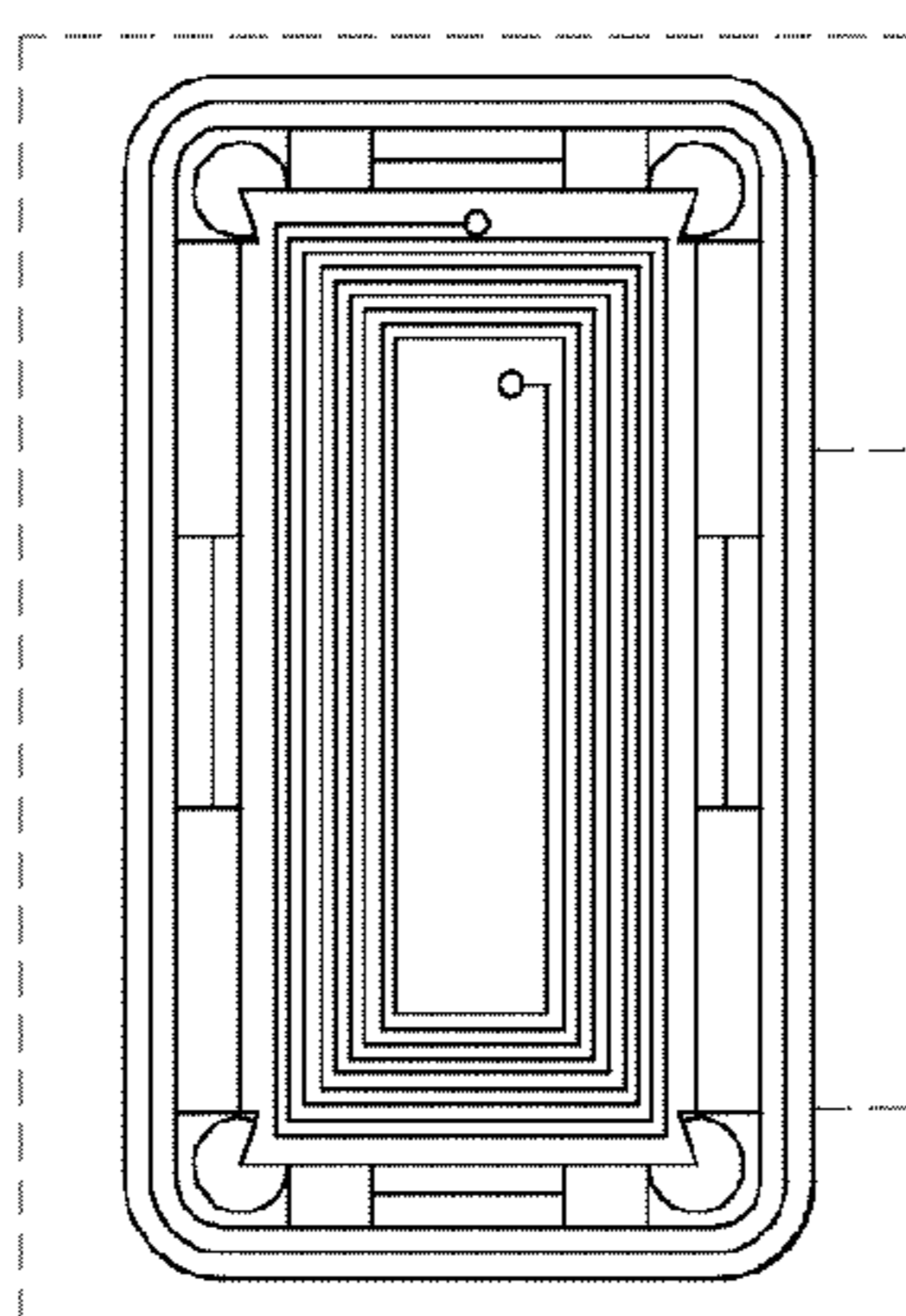


FIG. 8

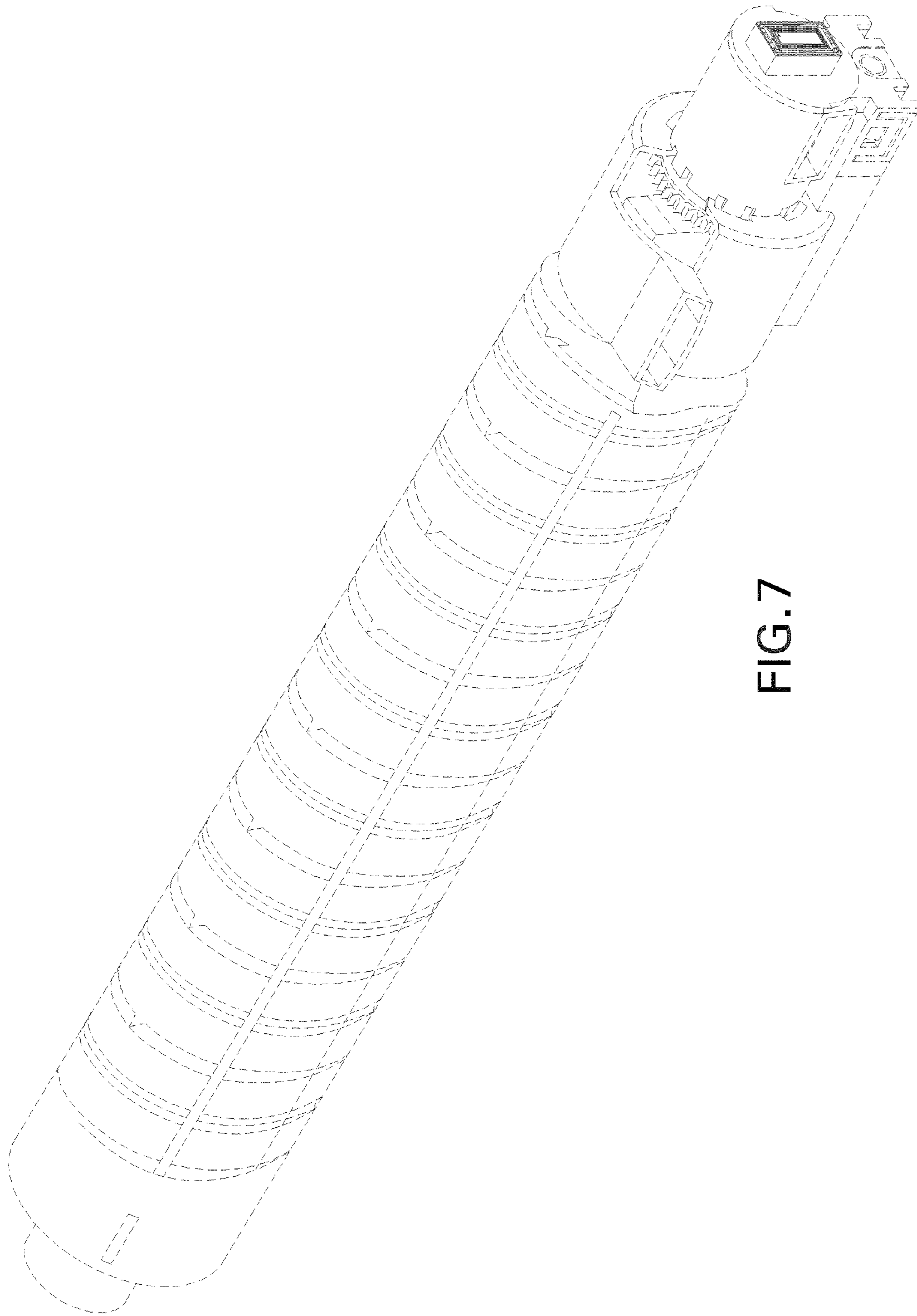


FIG. 7

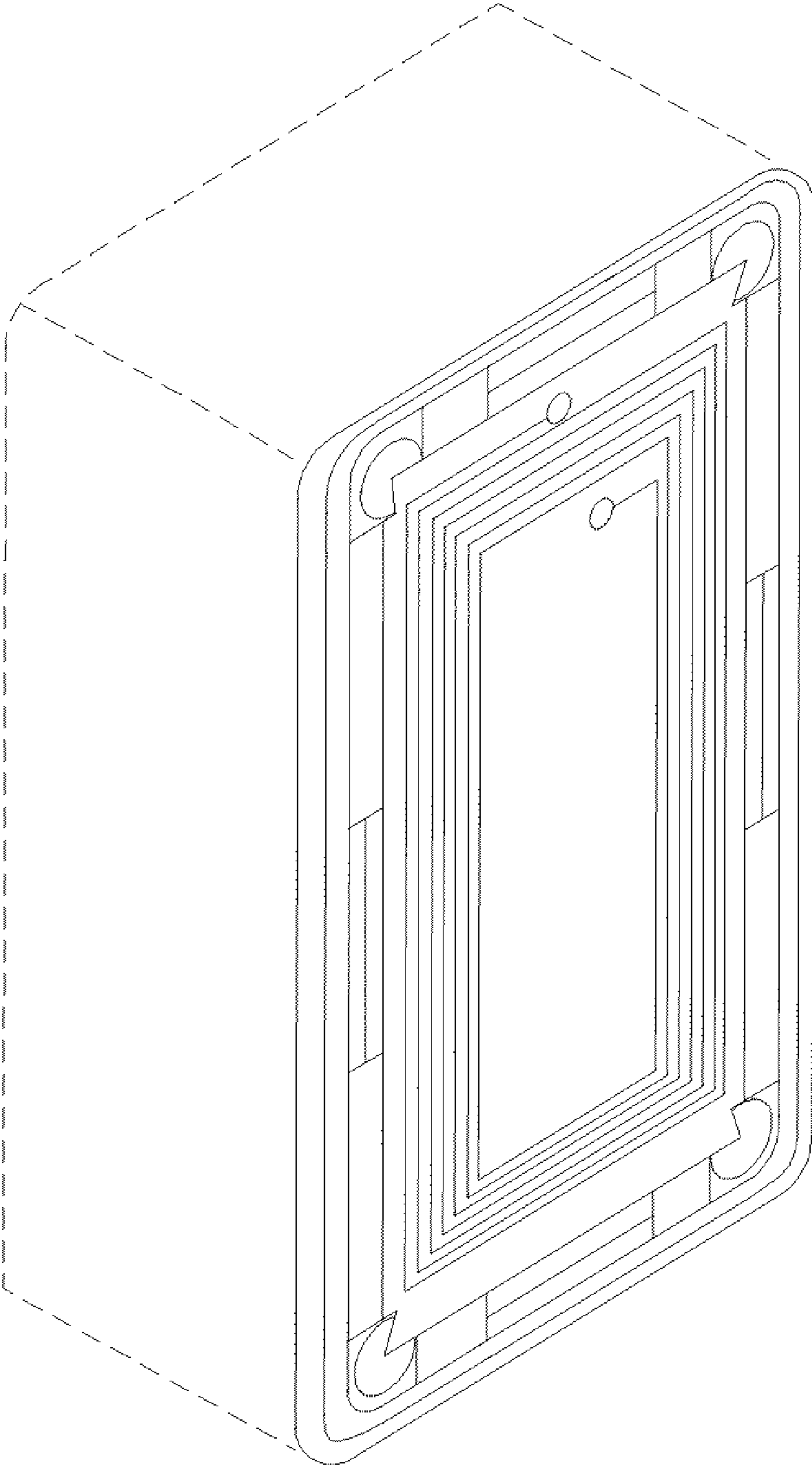


FIG. 9