

US00D598481S

(12) **United States Design Patent**
Sadatsuki et al.

(10) **Patent No.:** **US D598,481 S**

(45) **Date of Patent:** **** Aug. 18, 2009**

(54) **VIDEO CAMERA**

(75) Inventors: **Koichi Sadatsuki**, Tokyo (JP); **Takashi Ikenaga**, Tokyo (JP); **Tomonari Murakami**, Tokyo (JP)

(73) Assignee: **Sony Corporation**, Tokyo (JP)

(**) Term: **14 Years**

(21) Appl. No.: **29/287,001**

(22) Filed: **Jun. 15, 2007**

(30) **Foreign Application Priority Data**

Dec. 26, 2006	(JP)	D2006-035752
Dec. 26, 2006	(JP)	D2006-035753
Dec. 26, 2006	(JP)	D2006-035754

(51) **LOC (9) Cl.** **16-05**

(52) **U.S. Cl.** **D16/219**

(58) **Field of Classification Search** D16/200–205,
D16/208, 218, 219; 348/373–376; 358/906;
396/528–532, 535–541

See application file for complete search history.

(56) **References Cited**

U.S. PATENT DOCUMENTS

4,330,192	A *	5/1982	Shimizu	396/529
D339,599	S *	9/1993	Tiffen	D16/219
D436,975	S	1/2001	Nakamura		
D477,343	S	7/2003	Miyashita		

(Continued)

OTHER PUBLICATIONS

Patent Office Prior Art No. HA16025732, “HiVI—Nov. 20, 2004”, vol. 11, p. 177, Japan (Oct. 18, 2004).

Patent Office Prior Art No. HH13002263, “Official Gazette—Jan. 30, 2001”, vol. 5, p. 5106, U.S. (Mar. 22, 2001).

Office Action (Japanese Design Application No. D2006-035752) mailed on Oct. 2, 2007 (Japan).

Primary Examiner—Adir Aronovich

(74) *Attorney, Agent, or Firm*—Rader, Fishman & Grauer, PLLC

(57) **CLAIM**

The ornamental design for a video camera, as shown and described.

DESCRIPTION

FIG. 1 is a perspective view of the first embodiment of a video camera showing our new design;

FIG. 2 is a front elevational view thereof;

FIG. 3 is a left side elevational view thereof;

FIG. 4 is a right side elevational view thereof;

FIG. 5 is a top plan view thereof;

FIG. 6 is a bottom plan view thereof;

FIG. 7 is perspective view of the second embodiment of a video camera showing our new design;

FIG. 8 is a front elevational view thereof;

FIG. 9 is a left side elevational view thereof;

FIG. 10 is a right side elevational view thereof;

FIG. 11 is a top plan view thereof;

FIG. 12 is a bottom plan view thereof;

FIG. 13 is perspective view of the third embodiment of a video camera showing our new design.

FIG. 14 is a front elevational view thereof;

FIG. 15 is a left side elevational view thereof;

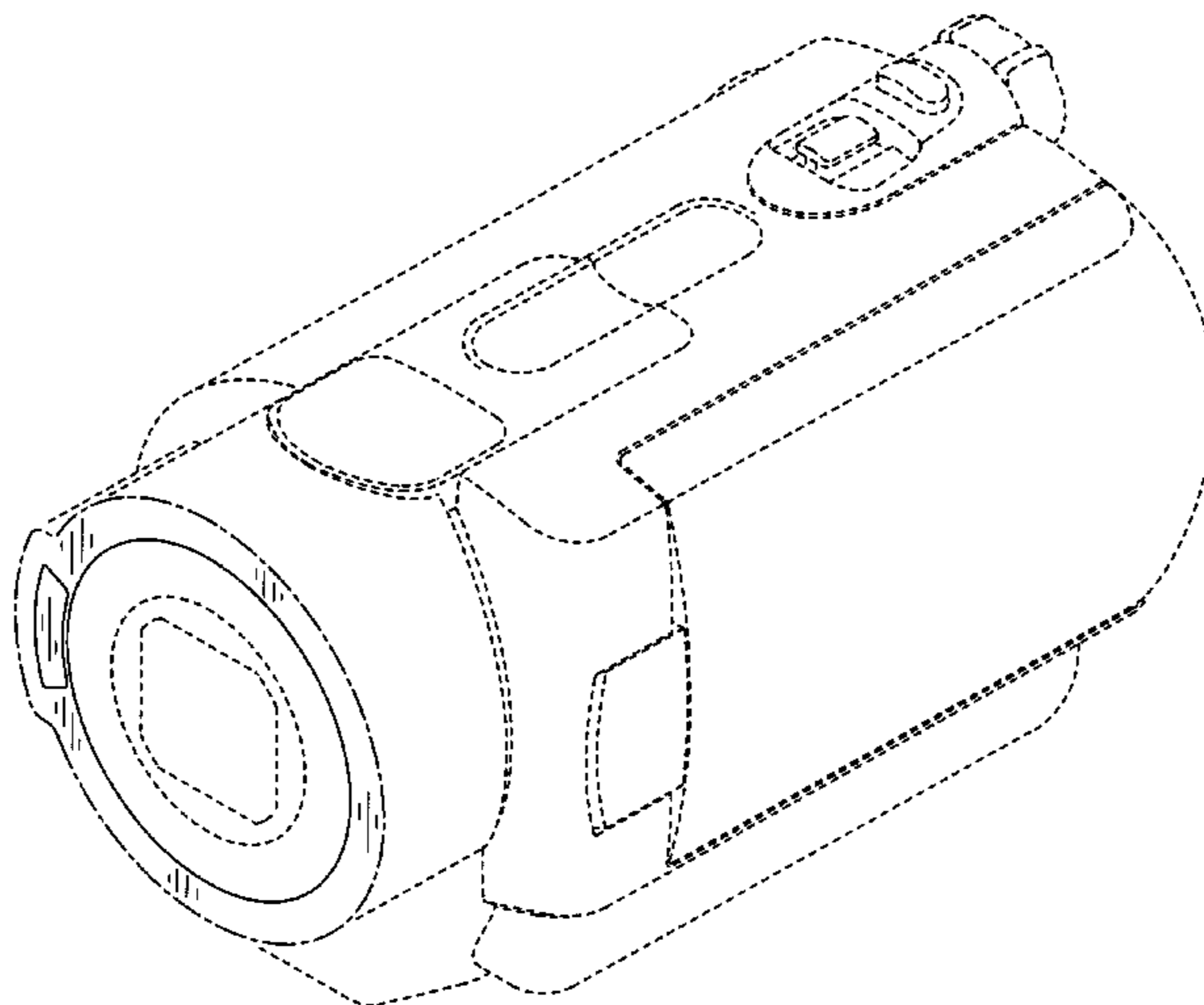
FIG. 16 is a right side elevational view thereof;

FIG. 17 is a top plan view thereof; and,

FIG. 18 is a bottom plan view thereof.

The even broken line showings of a video camera in FIGS. 1–18 are for illustrative purposes only and form no part of the claimed design. The dot-dash broken lines define, but are not included in, the boundaries of the claimed design.

1 Claim, 18 Drawing Sheets



US D598,481 S

Page 2

U.S. PATENT DOCUMENTS

D478,110 S	*	8/2003	Nasu	D16/219	D524,840 S	7/2006	Tsuchiya	
D496,061 S		9/2004	Hayashi		D534,936 S	1/2007	Sadatsuki	
D500,512 S		1/2005	Hayashi		D537,462 S	*	2/2007	Tokiwa et al. D16/219
D516,597 S		3/2006	Tsuchiya		D540,842 S	*	4/2007	Yamakawa
D516,600 S		3/2006	Tsuchiya		D578,561 S	*	10/2008	Dumanogullari

* cited by examiner

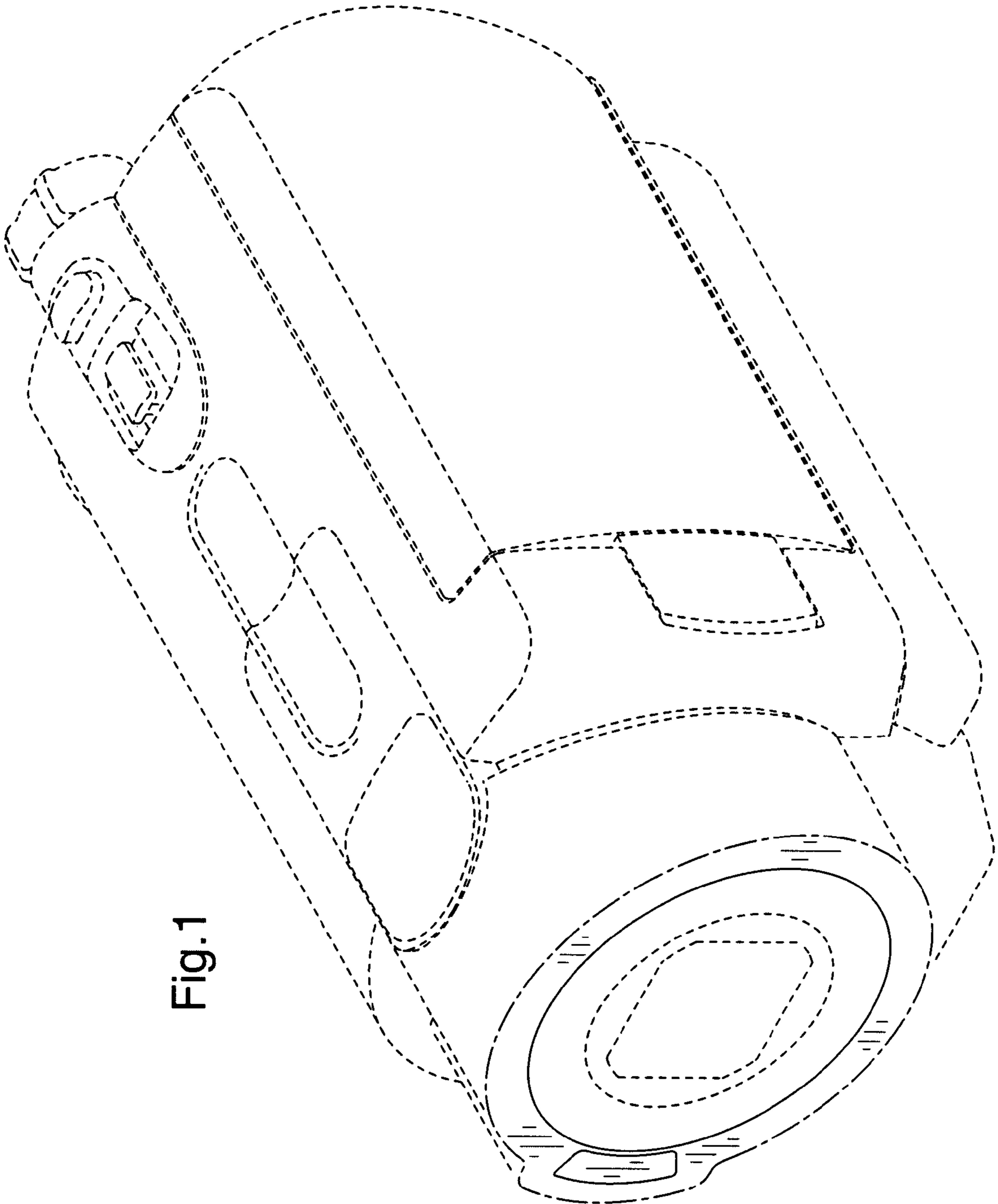


Fig.1

Fig.2

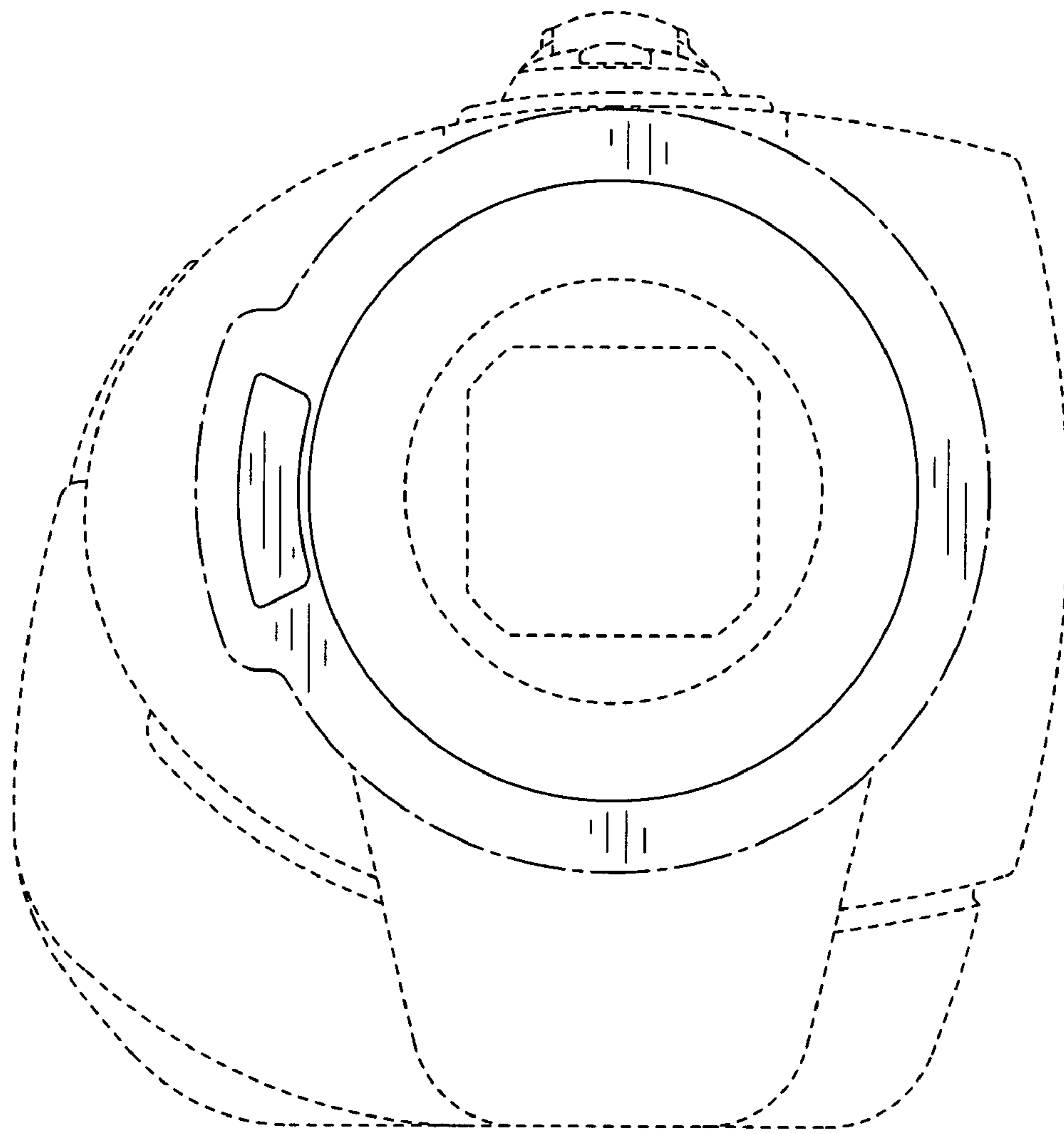


Fig.3

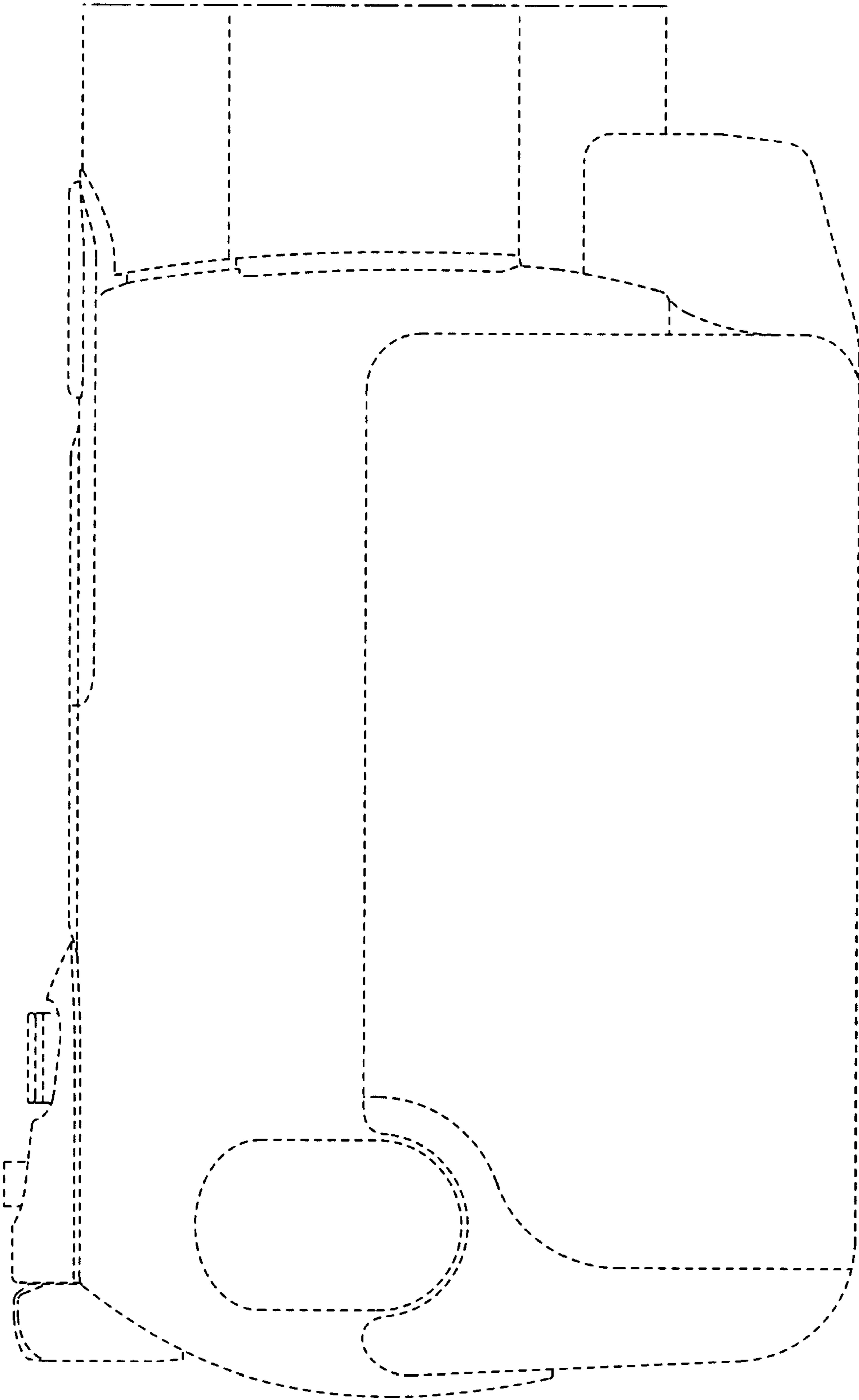


Fig.4

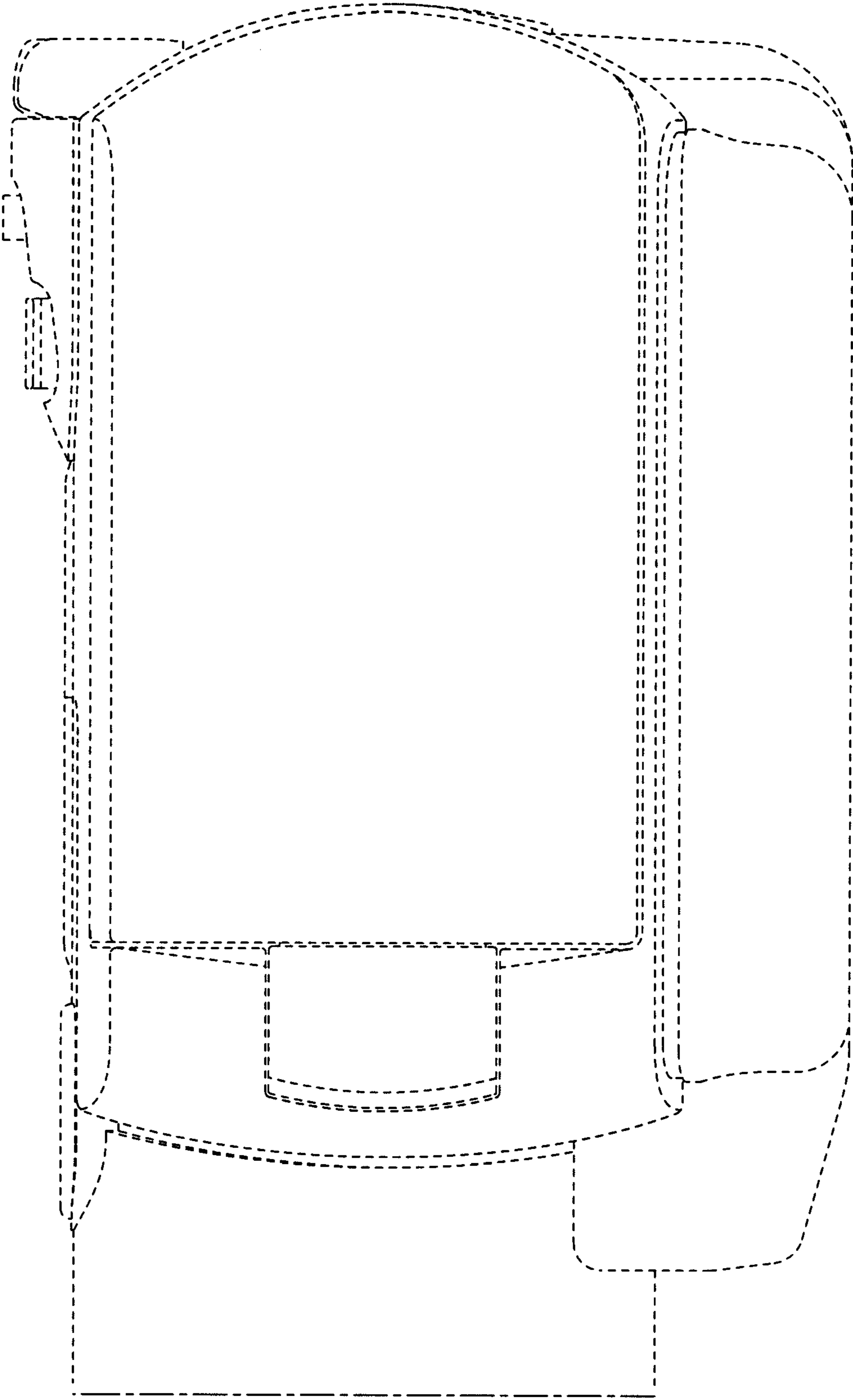


Fig.5

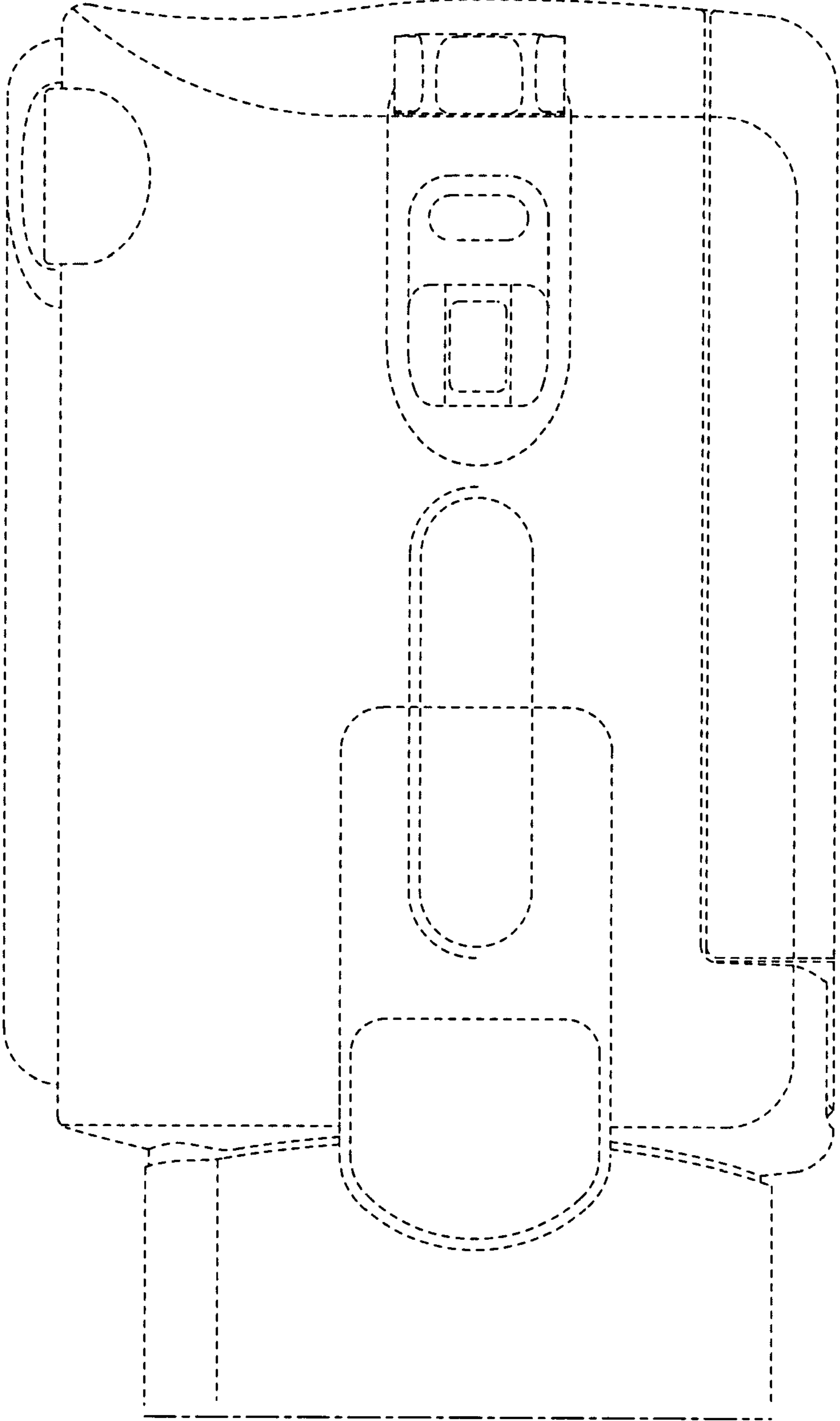
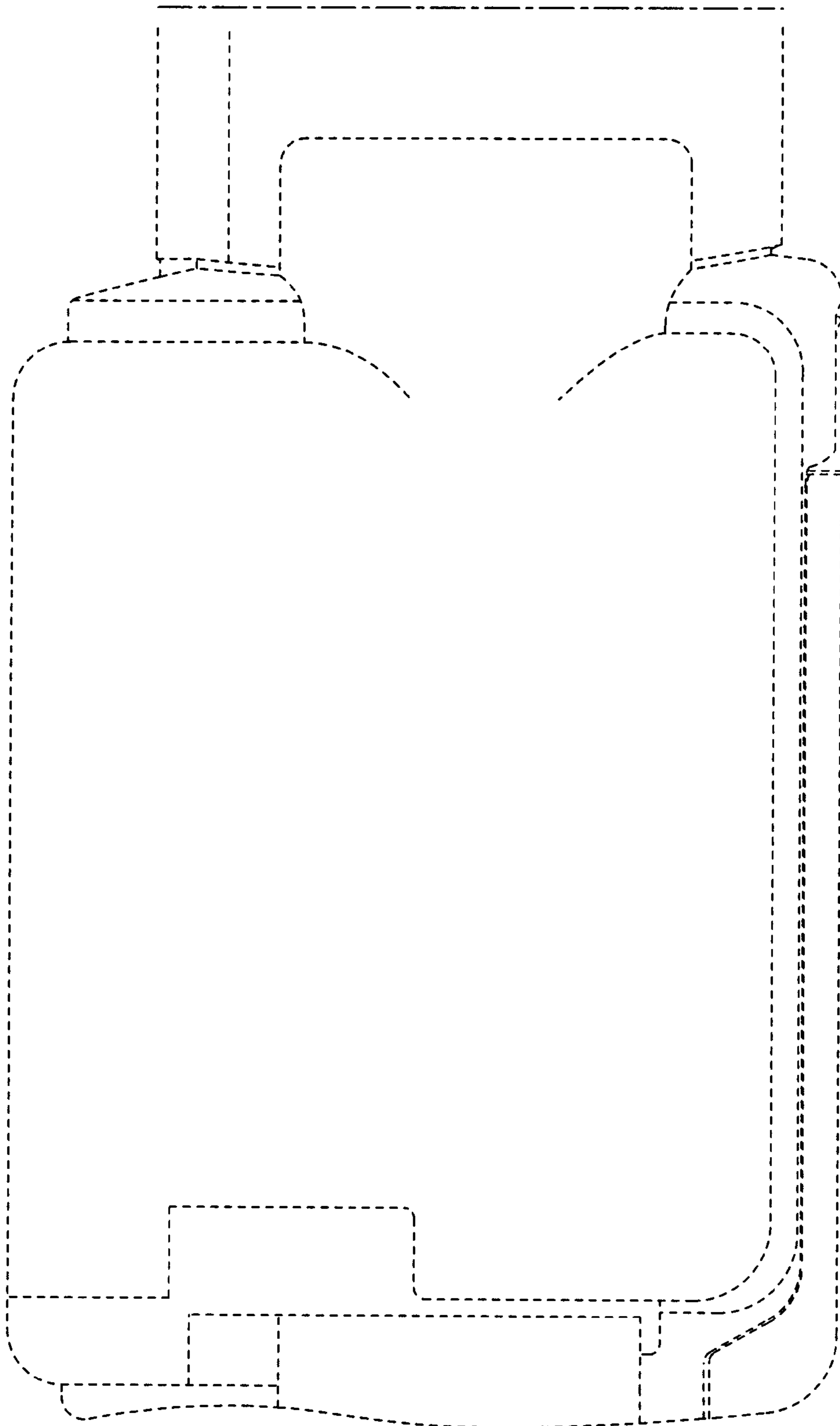


Fig.6



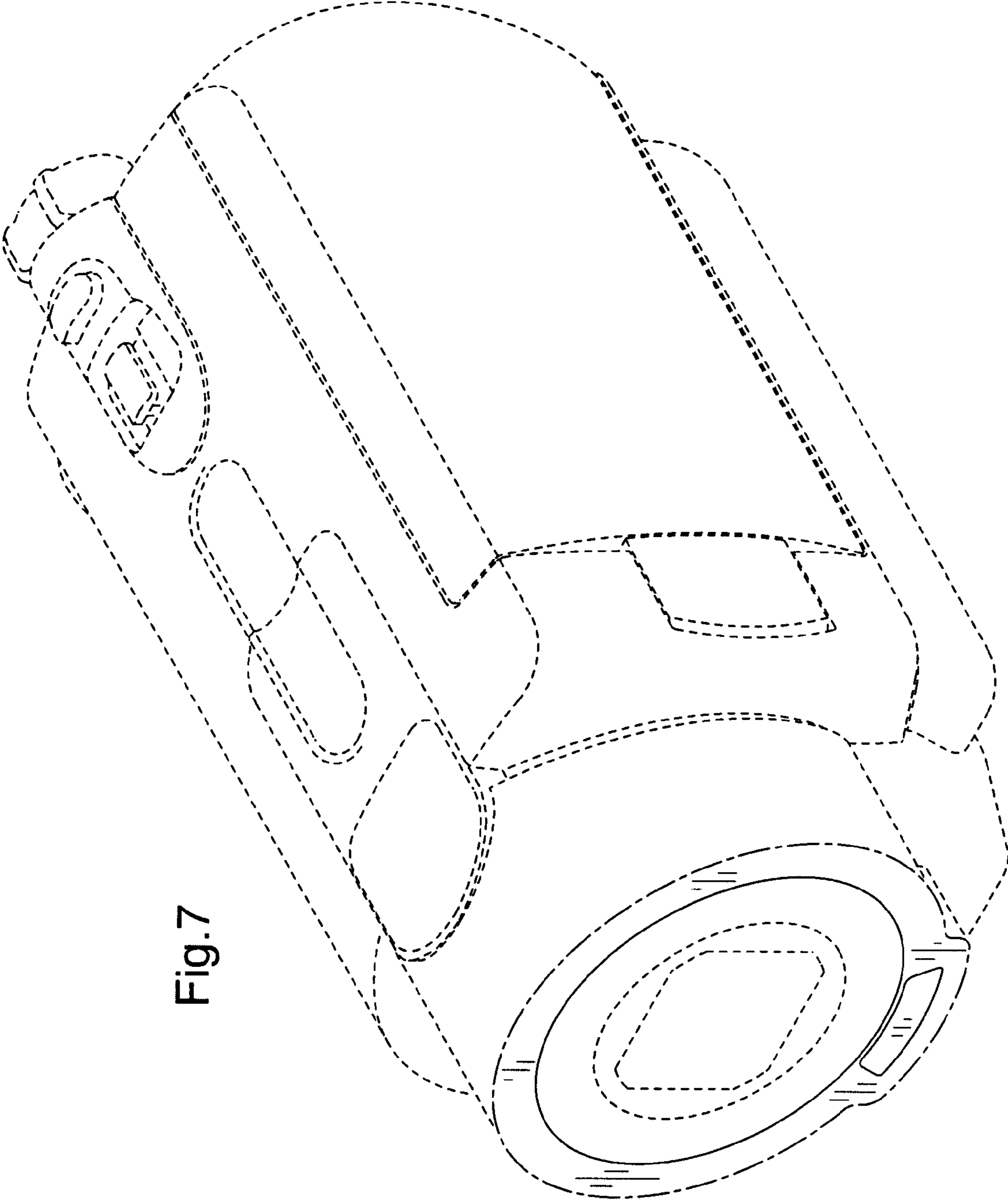


Fig.7

Fig.8

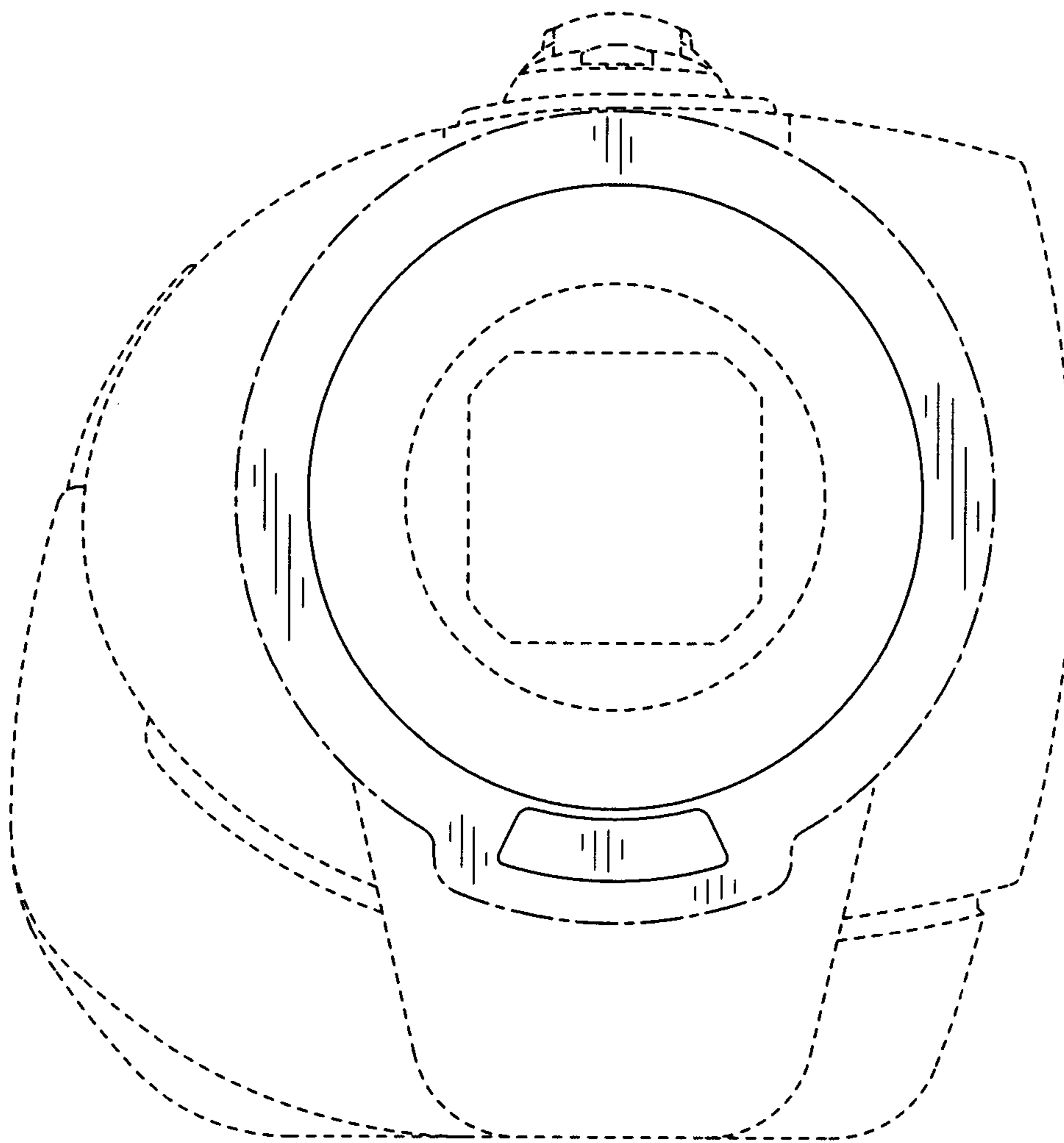


Fig.9

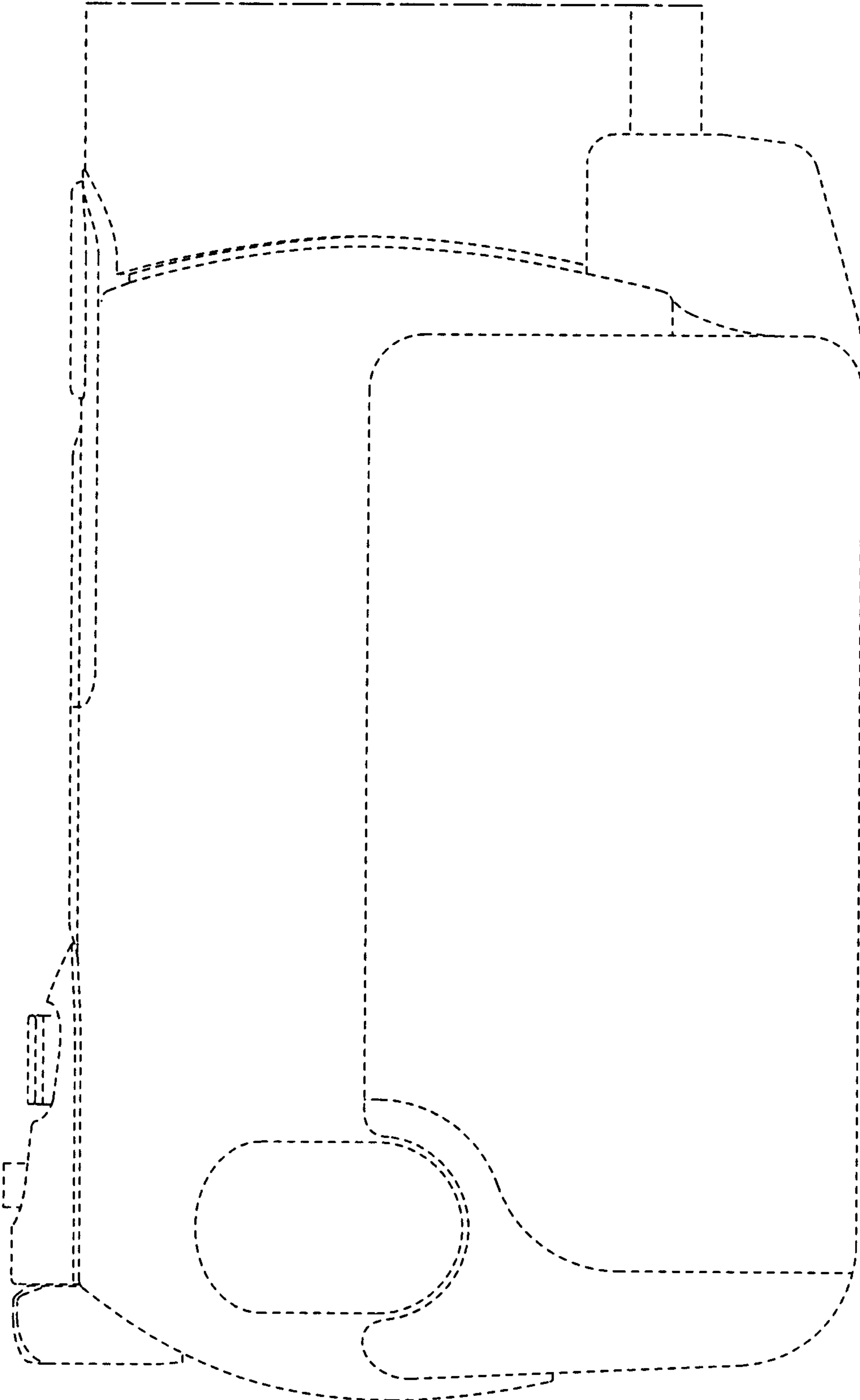


Fig.10

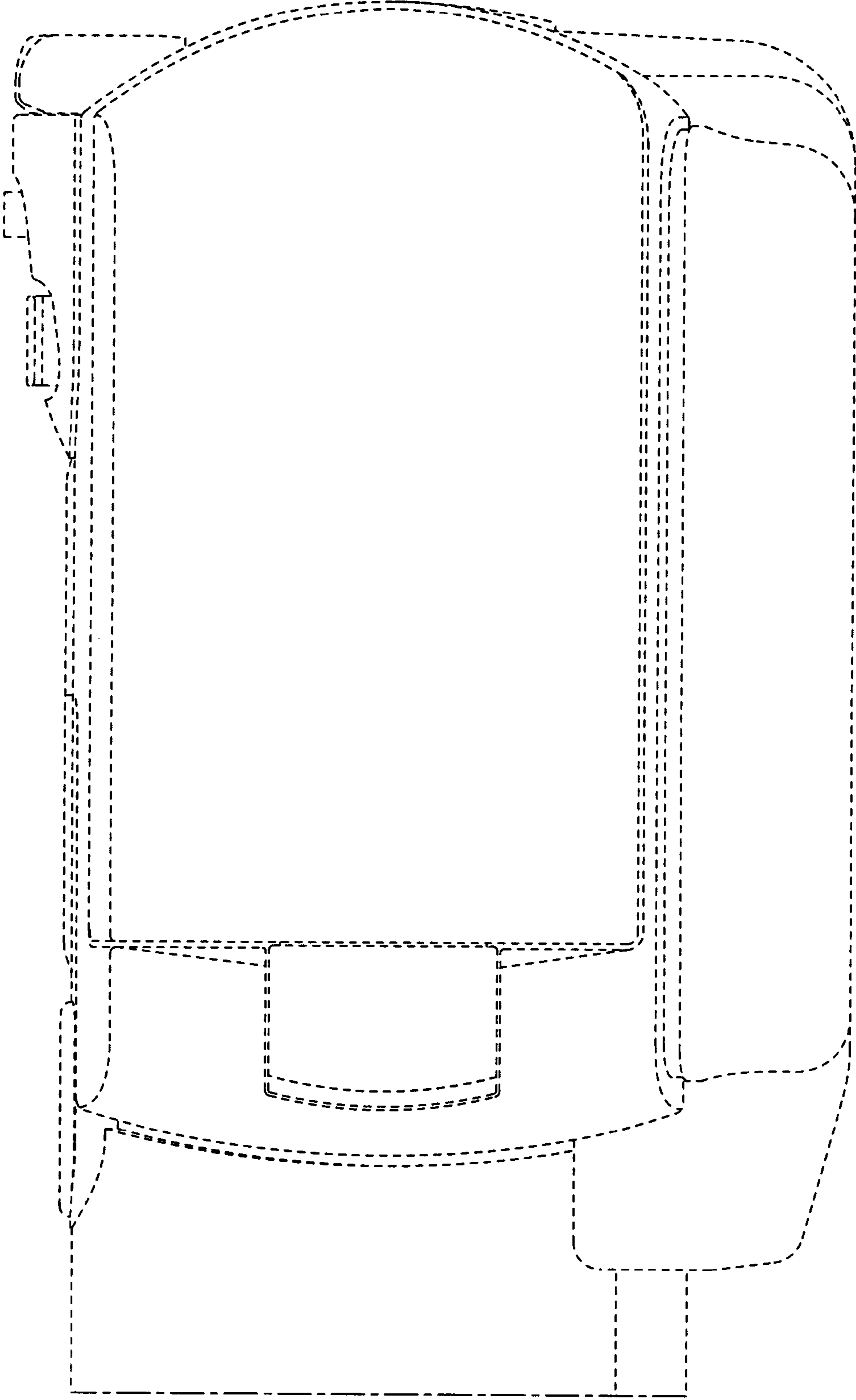


Fig.11

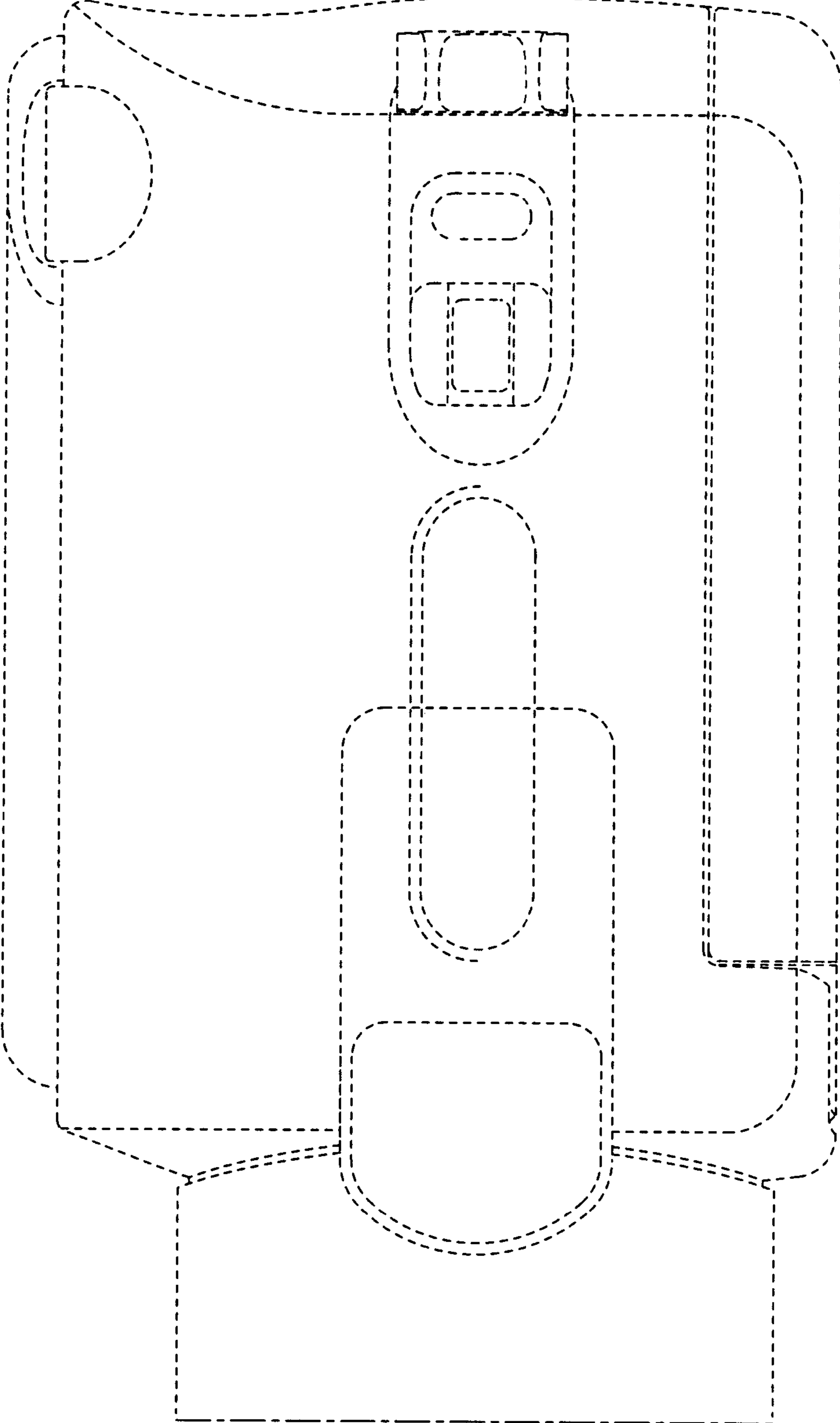


Fig.12

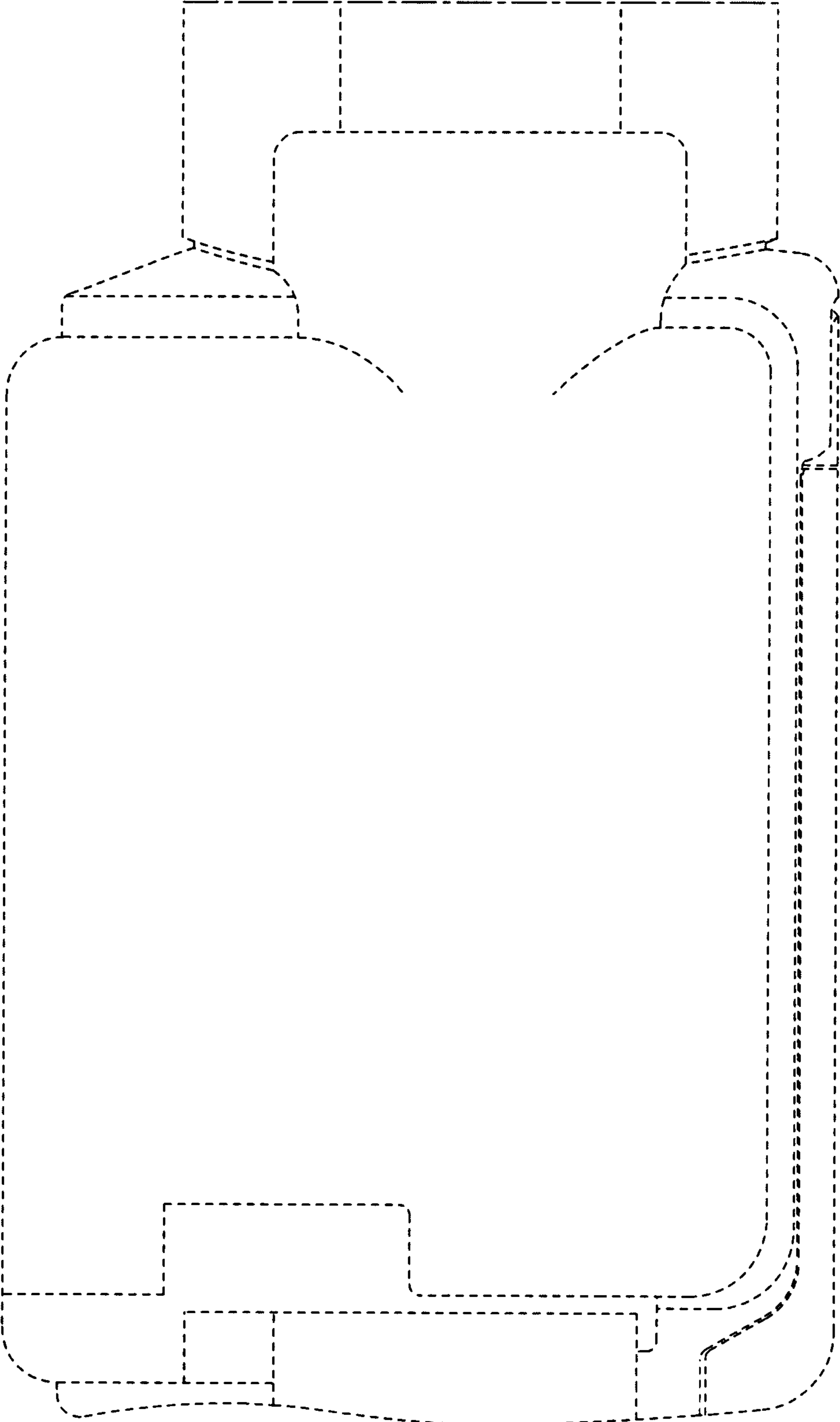


Fig.13

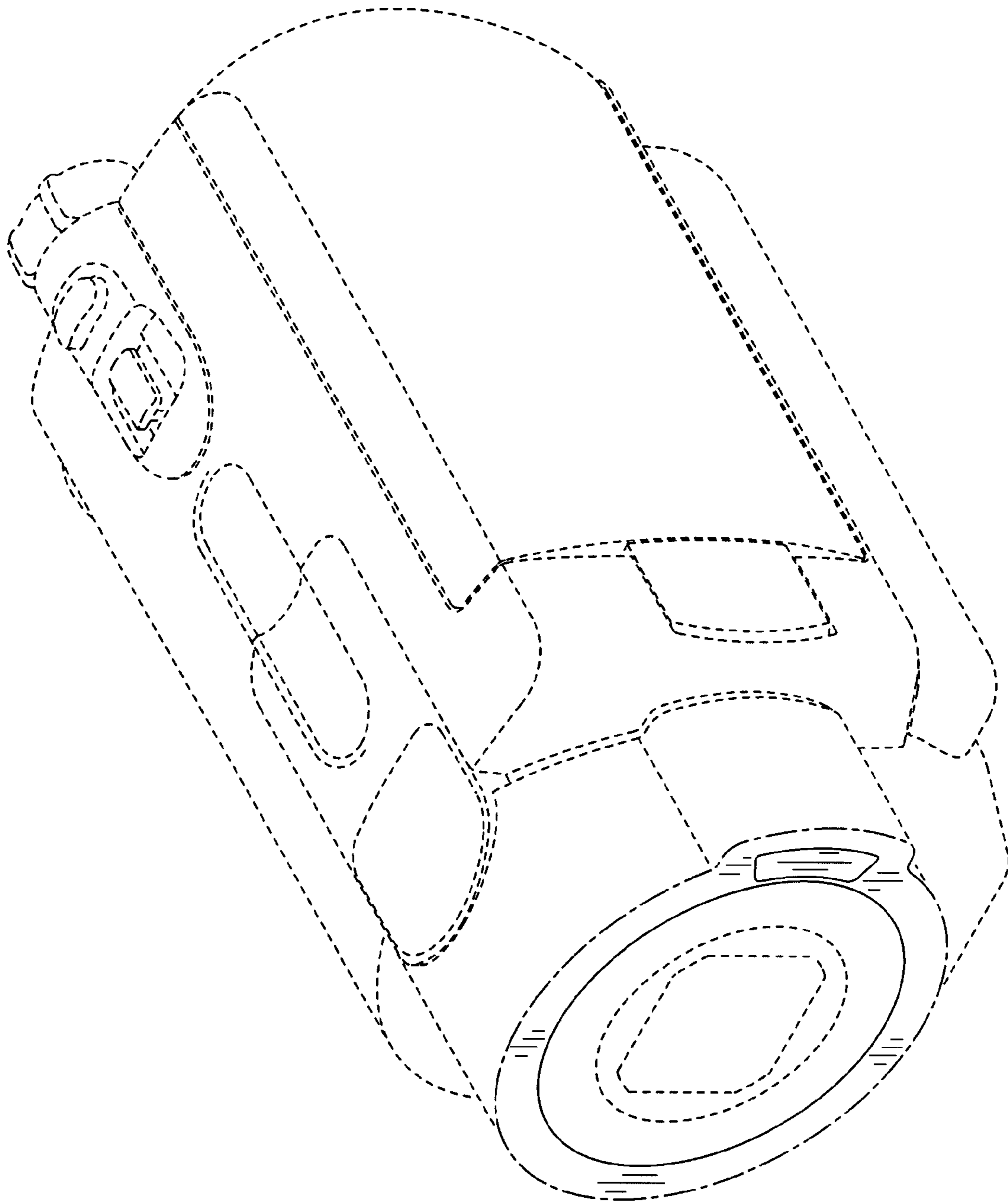


Fig.14

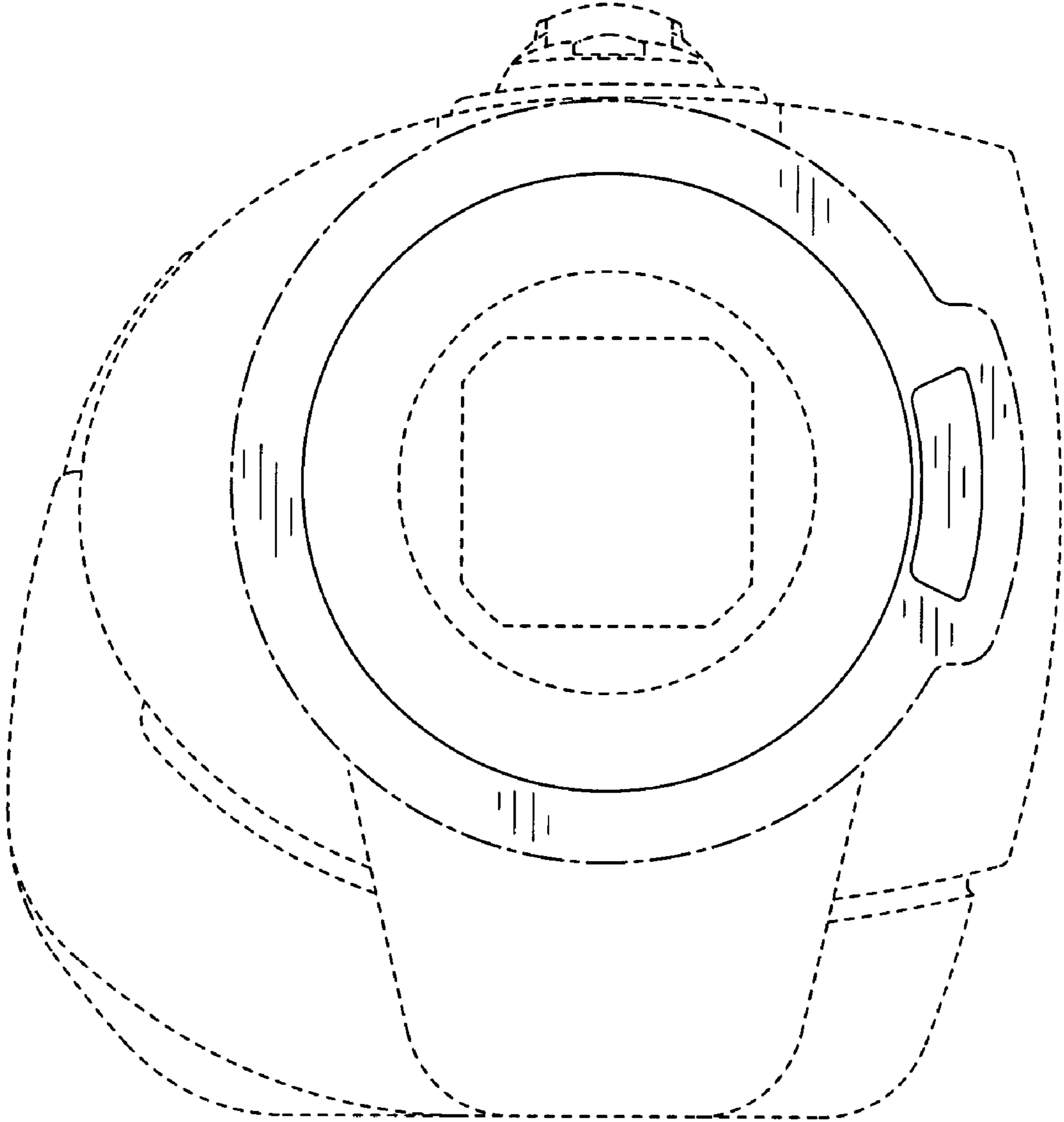


Fig.15

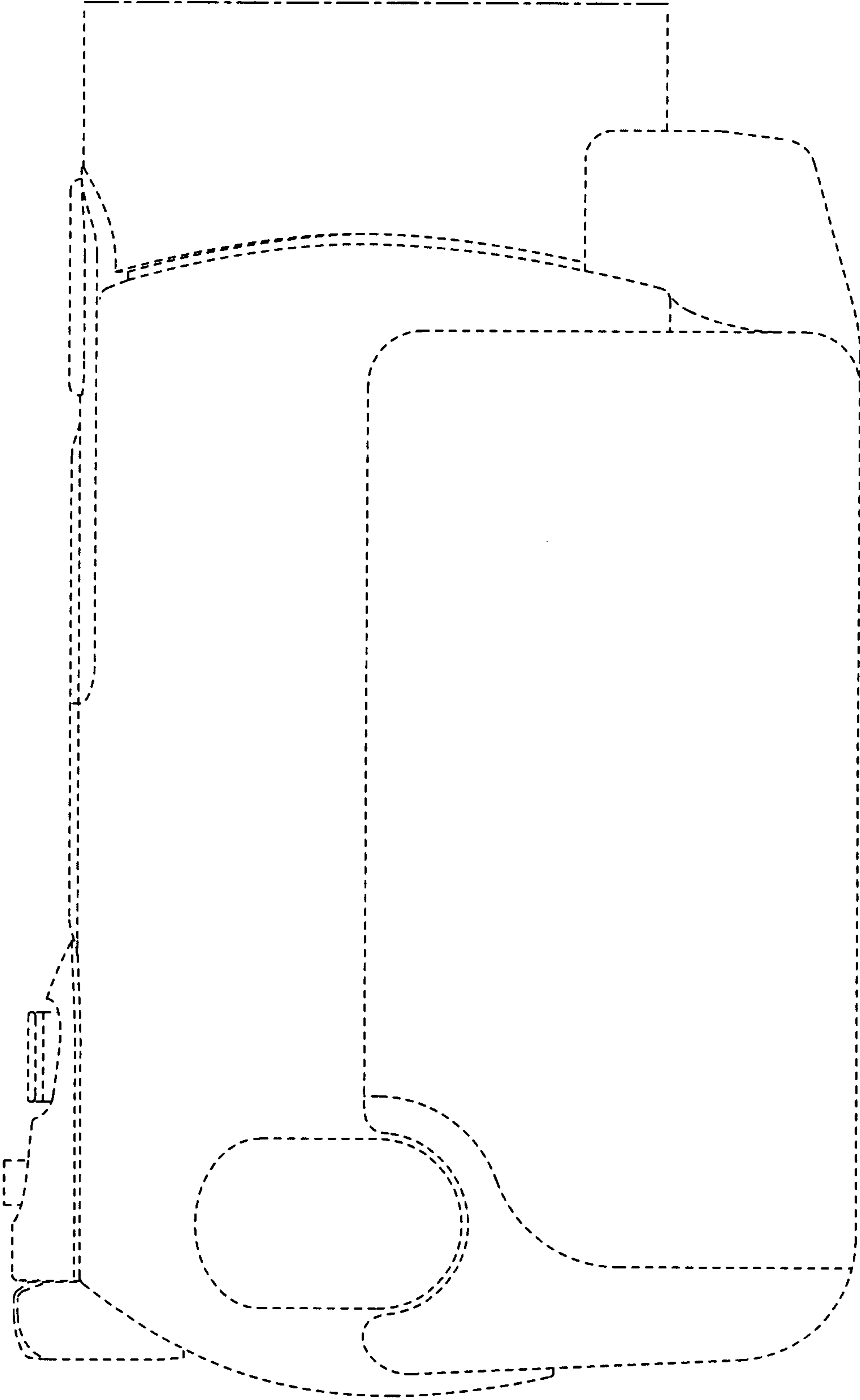


Fig.16

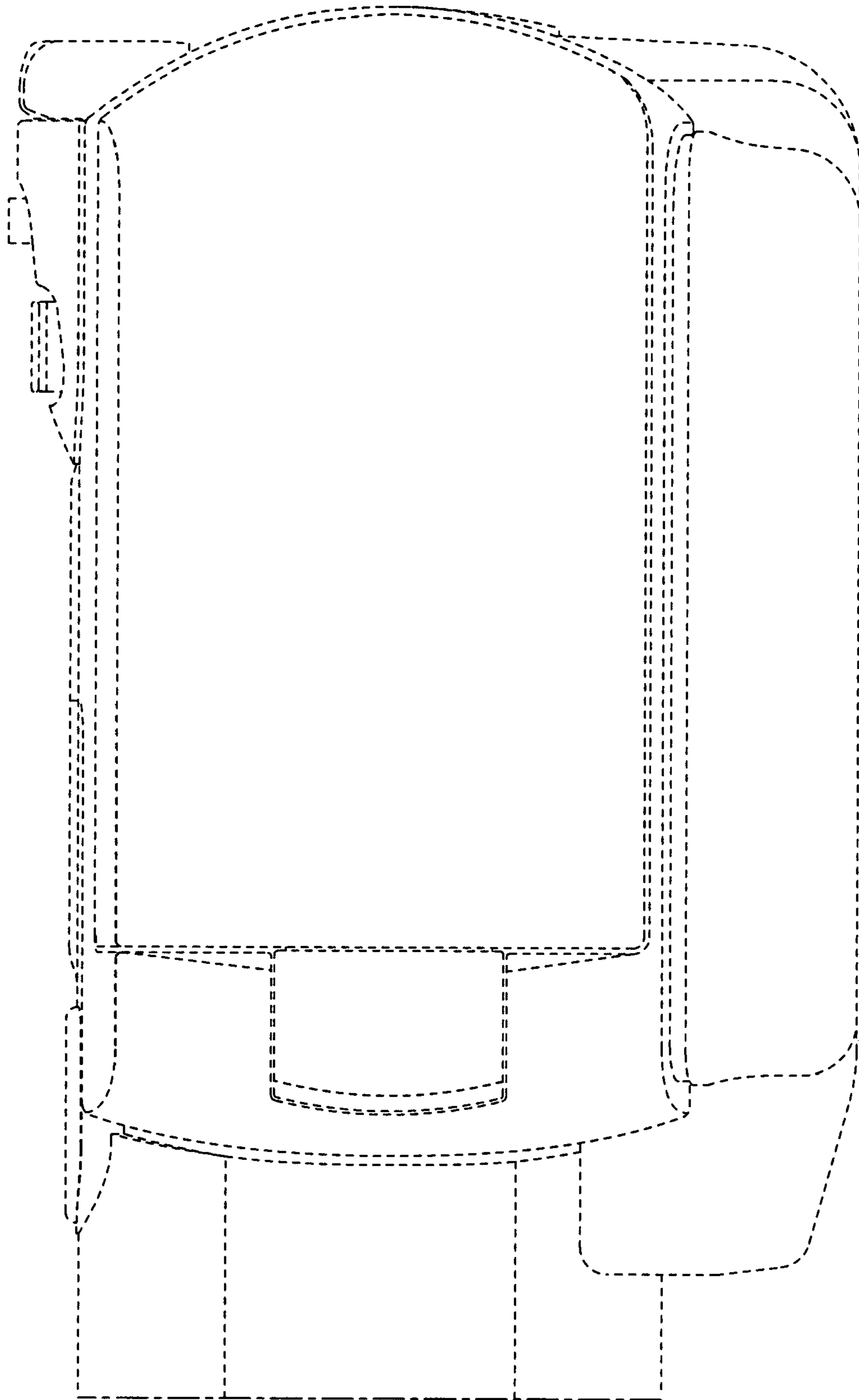


Fig.17

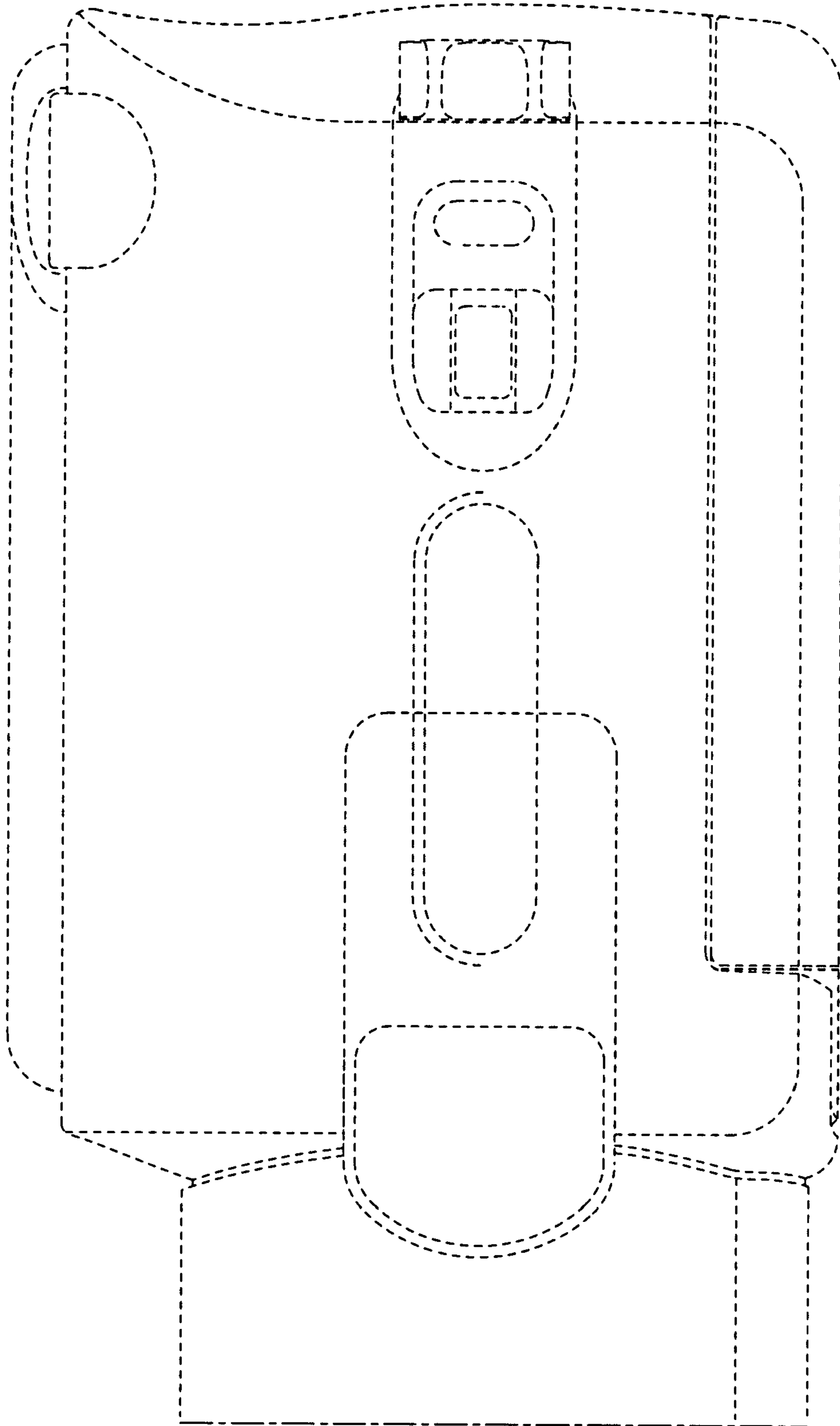


Fig. 18

