



US00D598479S

(12) **United States Design Patent**
Seiler

(10) **Patent No.:** **US D598,479 S**

(45) **Date of Patent:** **** Aug. 18, 2009**

(54) **MIXING MACHINE**

(75) Inventor: **Andreas Seiler**, Tauberbischofsheim
(DE)

(73) Assignee: **Maschinenfabrik Gustav Eirich
GmbH & Co. KG**, Hardheim (DE)

(**) Term: **14 Years**

(21) Appl. No.: **29/304,606**

(22) Filed: **Mar. 5, 2008**

(30) **Foreign Application Priority Data**

Nov. 1, 2007 (EM) 000819032

(51) **LOC (9) Cl.** **15-09**

(52) **U.S. Cl.** **D15/147**

(58) **Field of Classification Search** D7/384;
D15/147; 277/26 R, 95; 366/76.7, 143,
366/149, 168.1, 185, 192, 241-260, 309,
366/326.1, 601, 604, 605

See application file for complete search history.

(56) **References Cited**

U.S. PATENT DOCUMENTS

D213,917 S *	4/1969	Peterson	D15/147
D258,213 S *	2/1981	Lydford	D15/147
D264,218 S *	5/1982	Neuner et al.	D15/147
D347,645 S *	6/1994	Miller	D15/147
5,383,163 A *	1/1995	Brunn	366/217
D374,677 S *	10/1996	Hodson et al.	D15/147
D388,447 S *	12/1997	Otto	D15/147
D393,476 S *	4/1998	Lodige	D15/147
D401,246 S *	11/1998	Langeveld et al.	D15/7
5,906,433 A *	5/1999	Mazzalveri	366/209

D448,966 S *	10/2001	Hsieh	D7/376
D450,731 S *	11/2001	Papaikonomou et al.	...	D15/147
D472,253 S *	3/2003	Reedy et al.	D15/147
D473,420 S *	4/2003	Lo et al.	D7/376
D534,551 S *	1/2007	Kushlan	D15/19
2007/0070802 A1 *	3/2007	Mortimer et al.	366/76.7
2008/0096214 A1 *	4/2008	Ammann et al.	435/6

OTHER PUBLICATIONS

3 Illustrations representing a preceding prior art model of a mixing machine.

* cited by examiner

Primary Examiner—Sandra Snapp

Assistant Examiner—Patricia Palasik

(74) *Attorney, Agent, or Firm*—Paul & Paul

(57) **CLAIM**

The ornamental design for the mixing machine, as shown and described.

DESCRIPTION

FIG. 1 is a front perspective view of a mixing machine showing my new design;

FIG. 2 is a right side view of the mixing machine of FIG. 1;

FIG. 3 is a left side view of the mixing machine of FIG. 1;

FIG. 4 is a front view of the mixing machine of FIG. 1;

FIG. 5 is a rear view of the mixing machine of FIG. 1;

FIG. 6 is a top view of the mixing machine of FIG. 1; and,

FIG. 7 is a bottom view of the mixing machine of FIG. 1.

The broken line showing of the mixing machine is included for the purpose of illustrating portions of the mixing machine and forms no part of the claimed design.

1 Claim, 7 Drawing Sheets

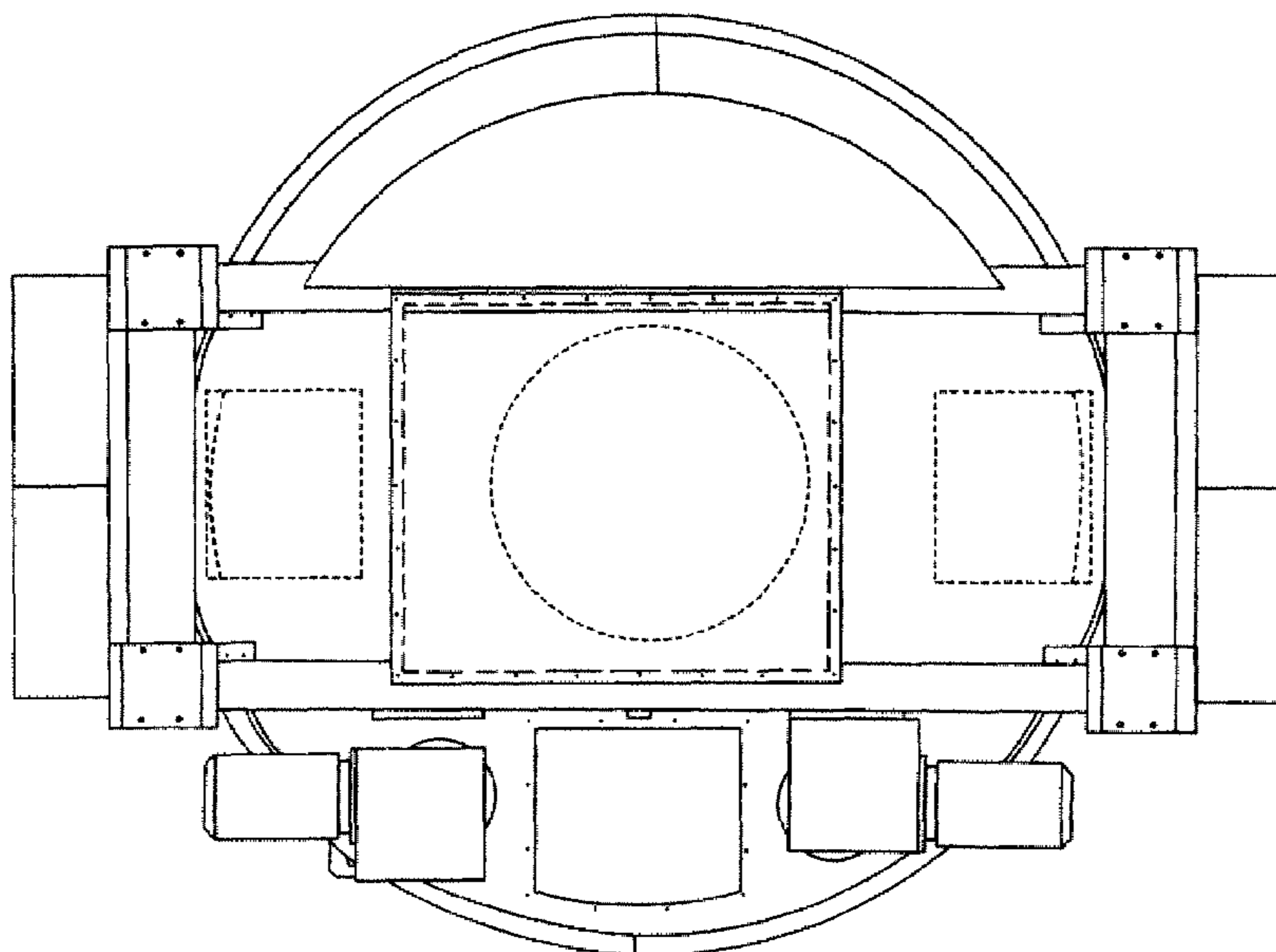


Fig. 1

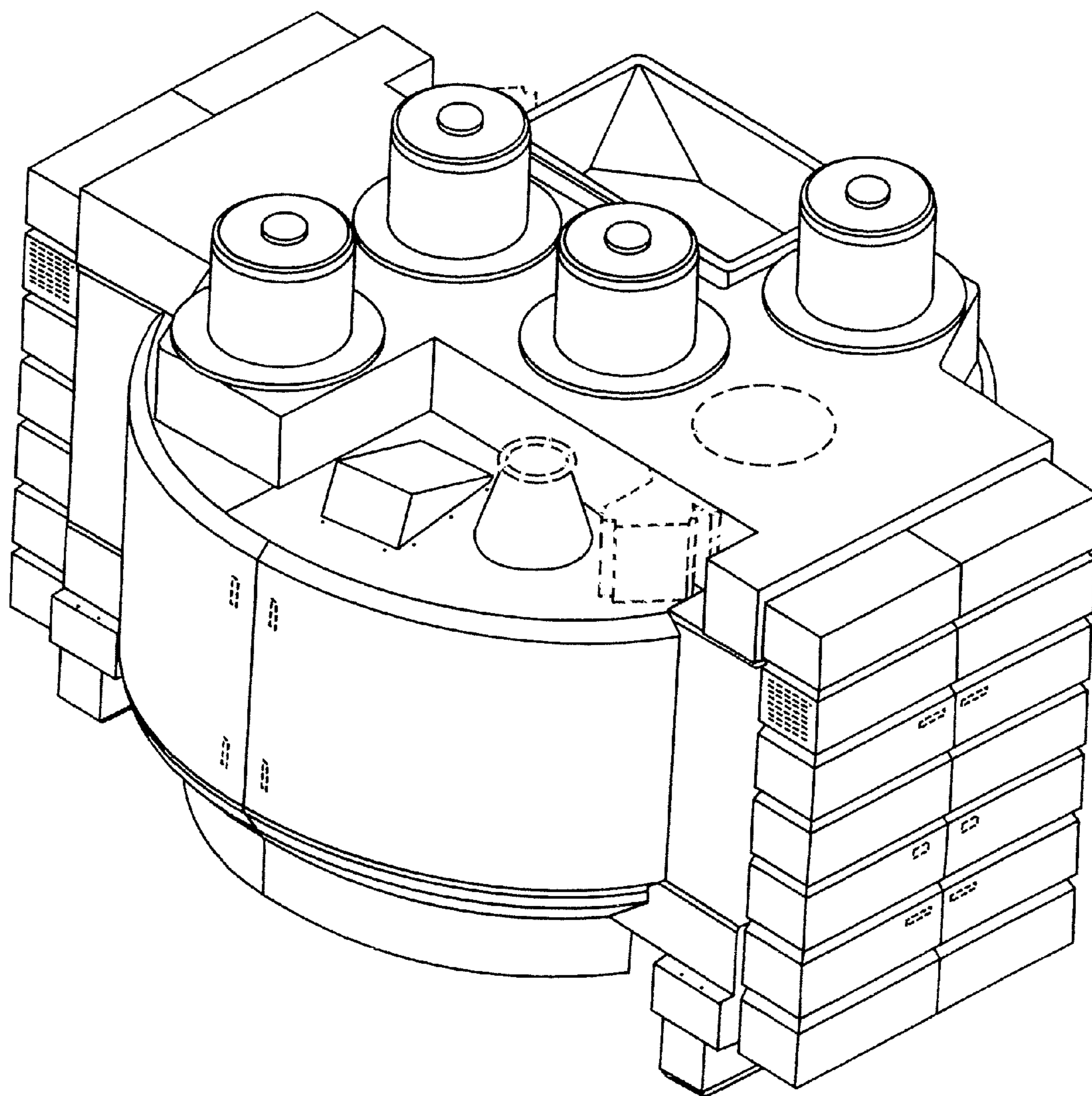


Fig. 2

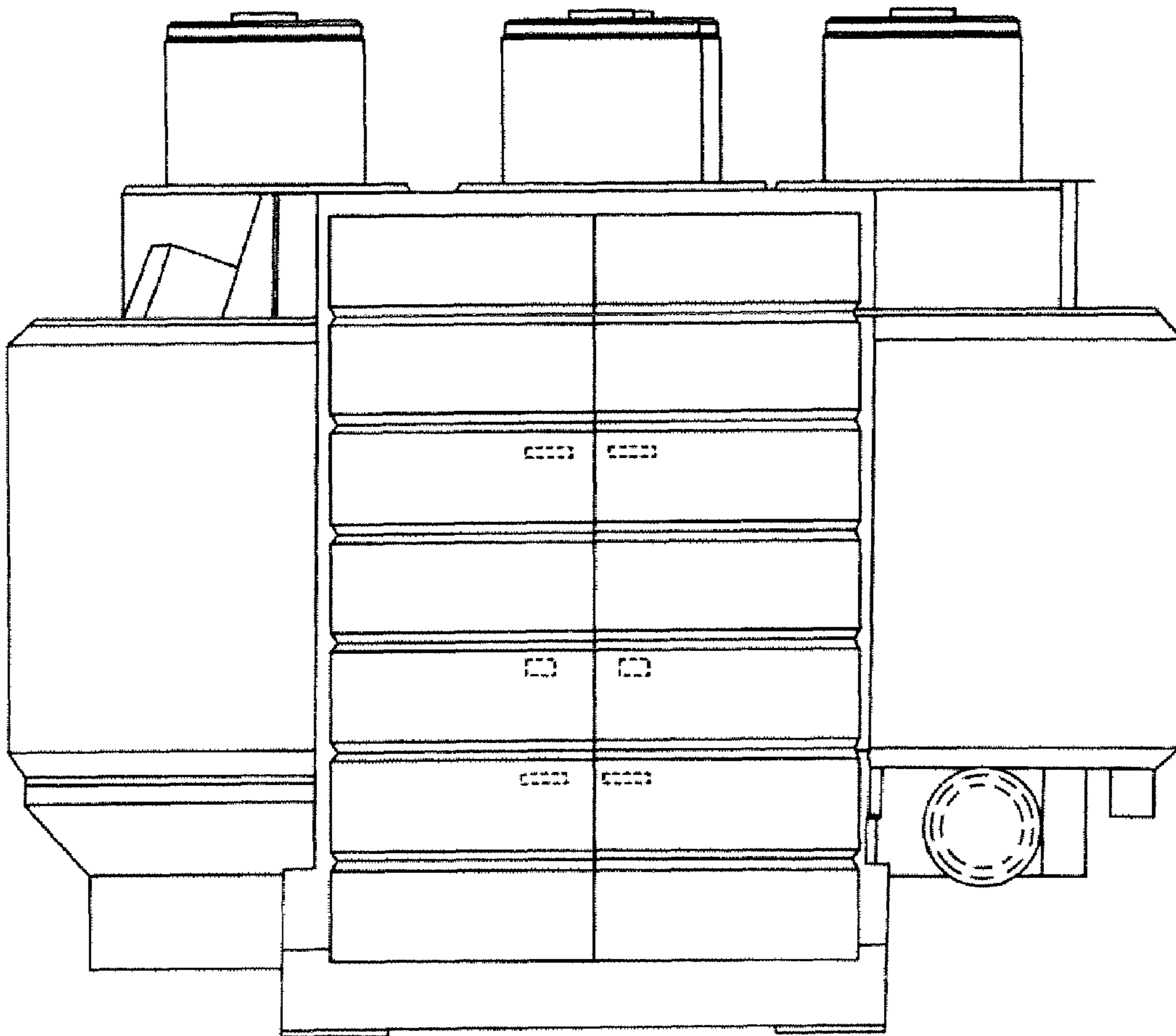


Fig. 3

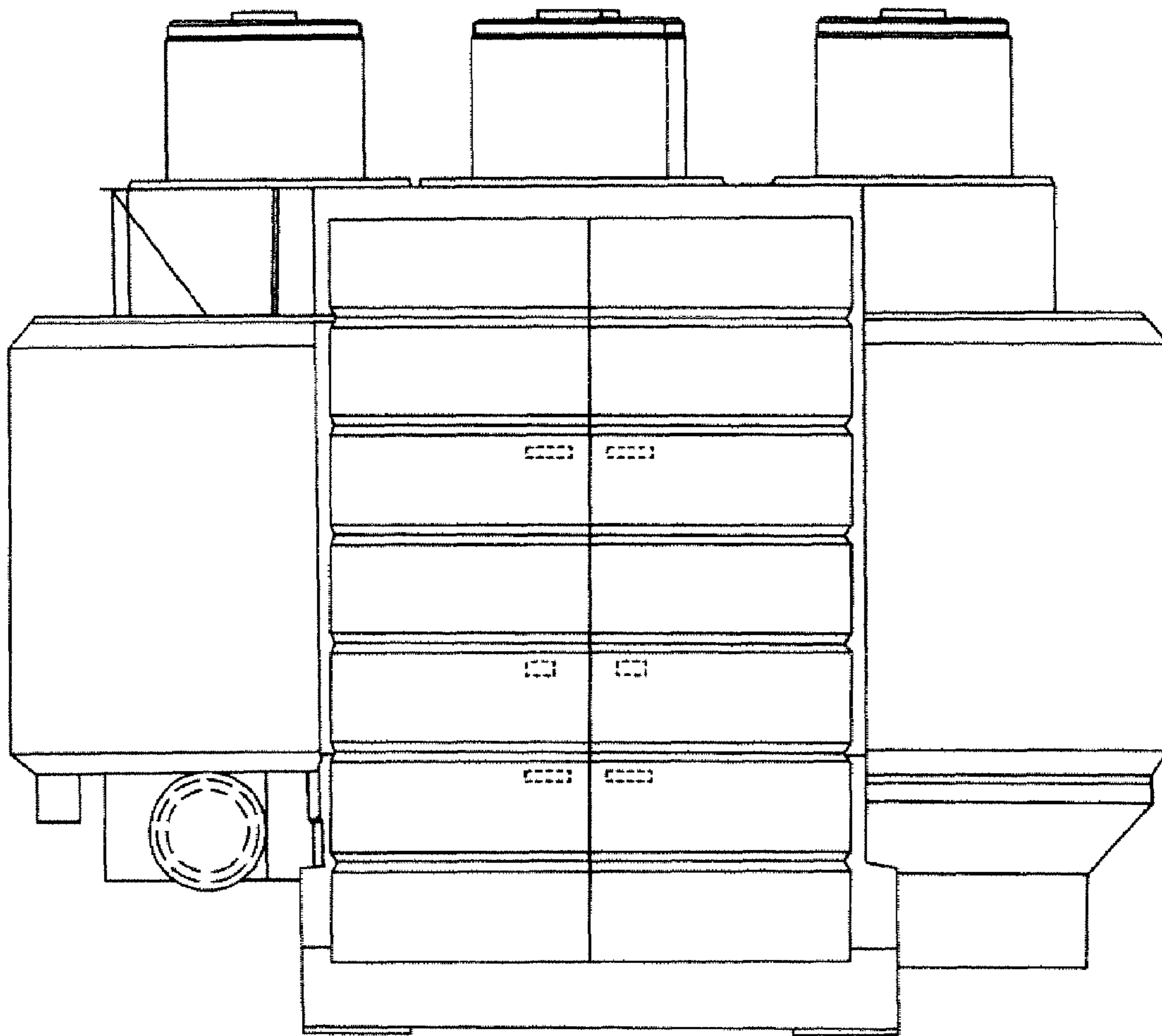


Fig. 4

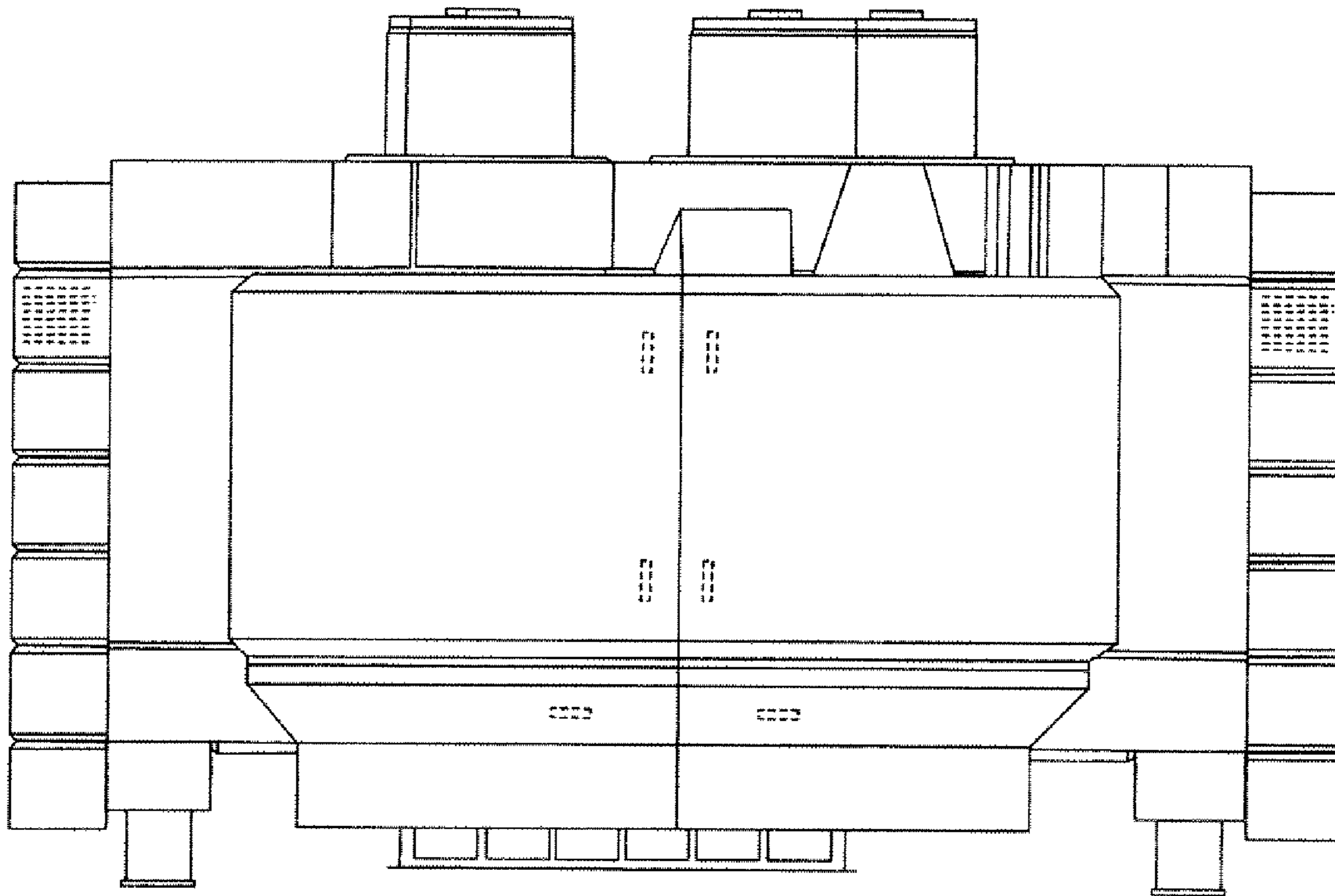


Fig. 5

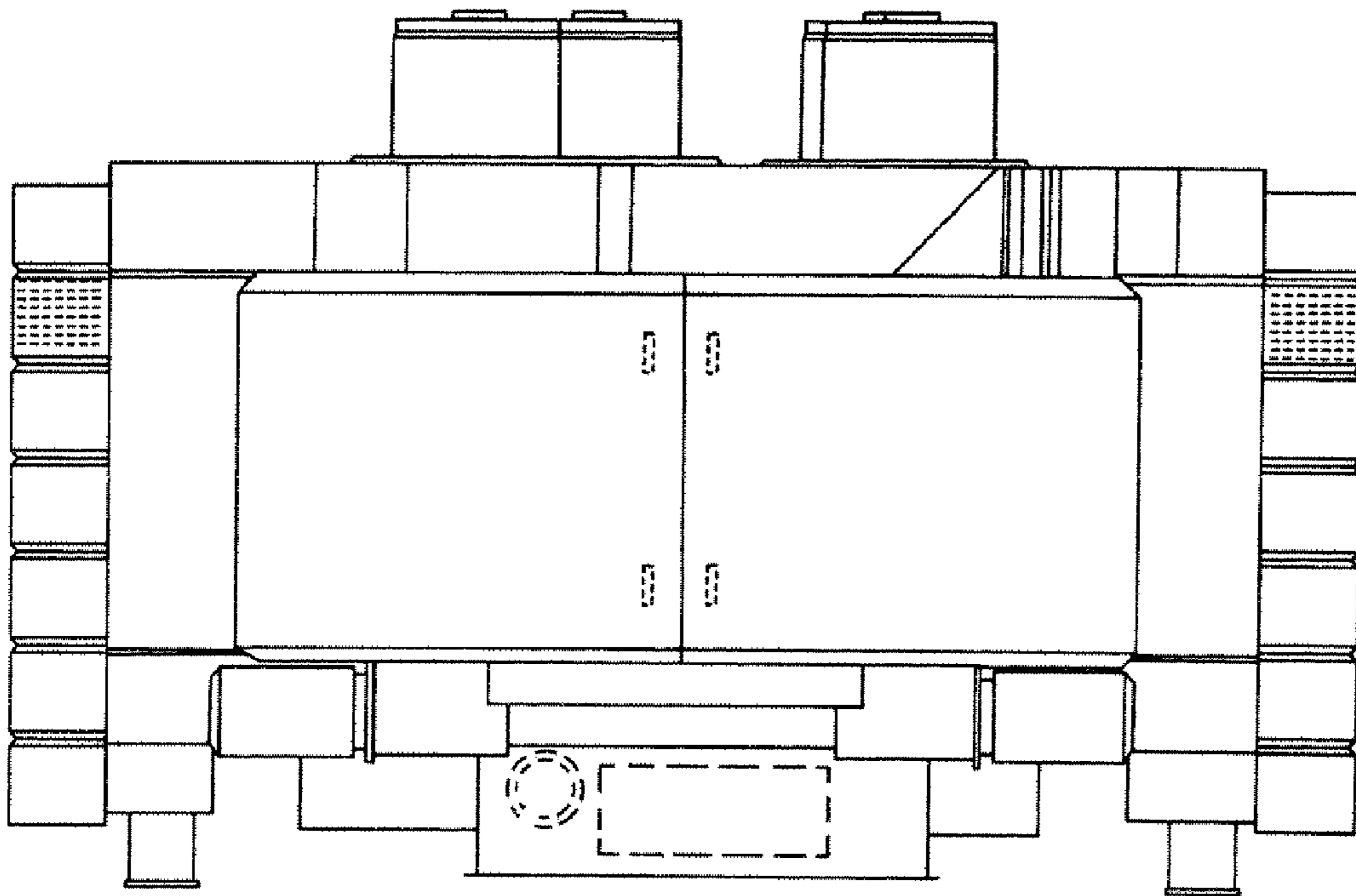


Fig.6

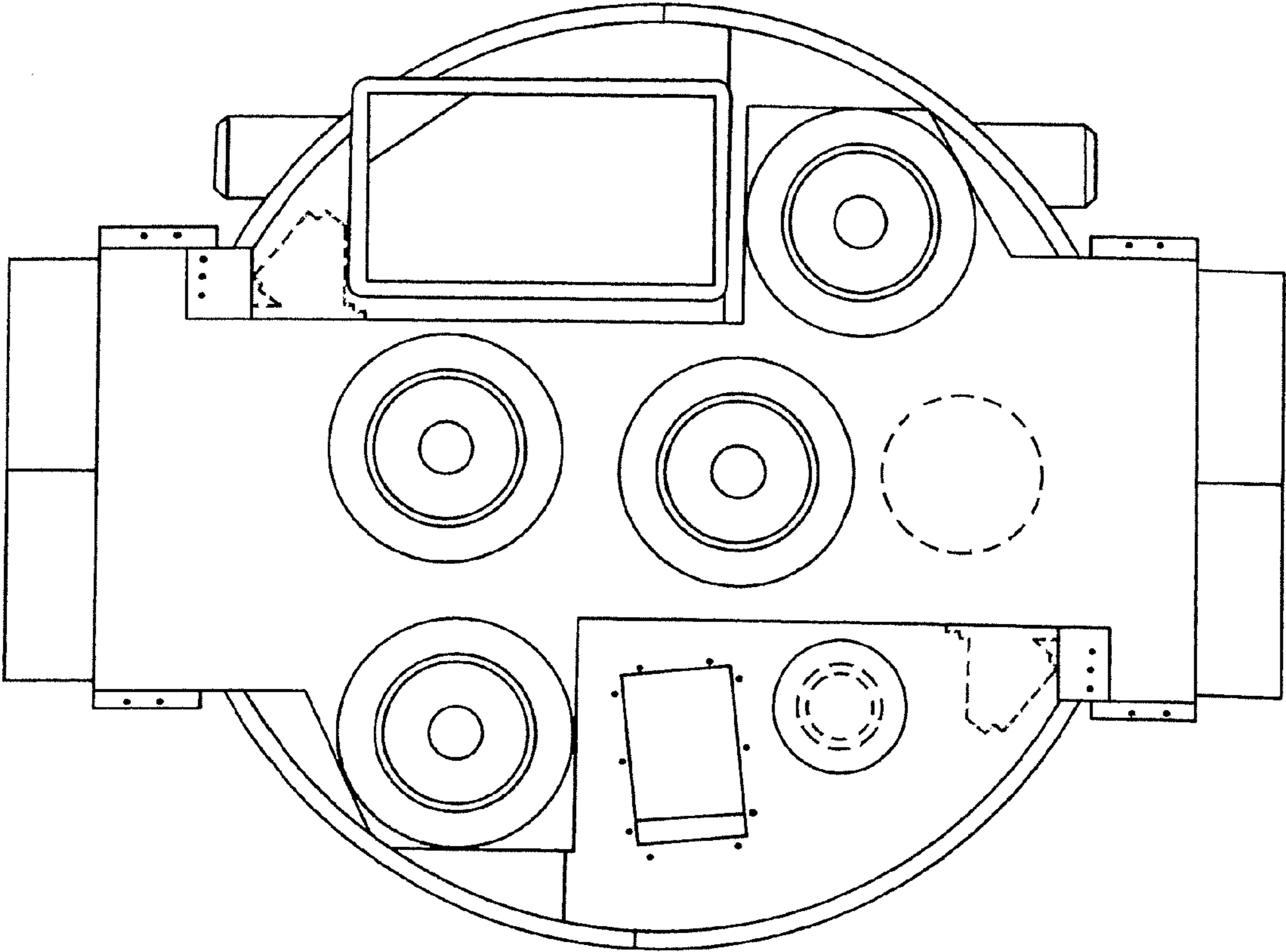


Fig. 7

