

US00D598477S

(12) **United States Design Patent**  
**Rosso et al.**

(10) **Patent No.:** **US D598,477 S**

(45) **Date of Patent:** **\*\* Aug. 18, 2009**

(54) **CORNER BEAD ROLLER TOOL**

(75) Inventors: **Aaron Charles Rosso**, Chicago, IL (US); **Matthew Earle Myers**, Naperville, IL (US); **Amar Arvind Patel**, South Barrington, IL (US); **Scott Fong**, Causeway Bay (HK); **Joseph Z. Wascow**, Mundelein, IL (US); **Daniel J. Williams**, Chicago, IL (US); **Brian A. Retzke**, Downers Grove, IL (US)

(73) Assignee: **United States Gypsum Company**, Chicago, IL (US)

(\*\*) Term: **14 Years**

(21) Appl. No.: **29/305,474**

(22) Filed: **Mar. 21, 2008**

**Related U.S. Application Data**

(63) Continuation of application No. 11/868,188, filed on Oct. 5, 2007.

(51) **LOC (9) Cl.** ..... **15-09**

(52) **U.S. Cl.** ..... **D15/138**

(58) **Field of Classification Search** ..... D8/45; D15/135, 136, 137, 138, 199; 15/235.3, 15/235.4, 235.7, 235.8; 29/243.58, 266, 29/560, 560.1; 52/255; 72/176, 178, 182, 72/211, 379.2; 81/485; 156/530, 574, 577, 156/579, 580, 582; 425/458, 460  
See application file for complete search history.

(56) **References Cited**

**U.S. PATENT DOCUMENTS**

2,533,209 A 12/1950 Ames  
2,642,783 A \* 6/1953 Goodrich ..... 493/395  
3,932,101 A \* 1/1976 Johnson et al. .... 425/458  
4,197,624 A 4/1980 Lass

4,230,441 A \* 10/1980 Heronema ..... 425/87  
4,451,223 A \* 5/1984 Mower et al. .... 425/458  
5,061,232 A \* 10/1991 Bloch et al. .... 493/395  
5,203,954 A 4/1993 Moore  
5,368,461 A \* 11/1994 Murphy ..... 425/87  
5,544,384 A \* 8/1996 Forselius et al. .... 15/235.7  
6,282,937 B1 \* 9/2001 Michaud ..... 72/178  
6,450,232 B1 9/2002 Smythe, Jr.  
6,957,470 B2 10/2005 Rivadeneira  
7,343,767 B2 \* 3/2008 Bauer et al. .... 72/252.5  
D583,839 S \* 12/2008 Rosso et al. .... D15/135  
2007/0261334 A1 \* 11/2007 Conboy ..... 52/255  
2008/0155840 A1 \* 7/2008 Winkler ..... 30/360

\* cited by examiner

*Primary Examiner*—Sandra Snapp

*Assistant Examiner*—Patricia Palasik

(74) *Attorney, Agent, or Firm*—Greer, Burns & Crain, Ltd.; David Janci; Pradip Sahu

(57) **CLAIM**

The ornamental design for a corner bead roller tool, as shown and described.

**DESCRIPTION**

FIG. 1 is a side perspective view of an embodiment of the present corner bead roller tool;

FIG. 2 is a side view of the corner bead roller tool of FIG. 1, both sides being identical;

FIG. 3 is a front view of the same;

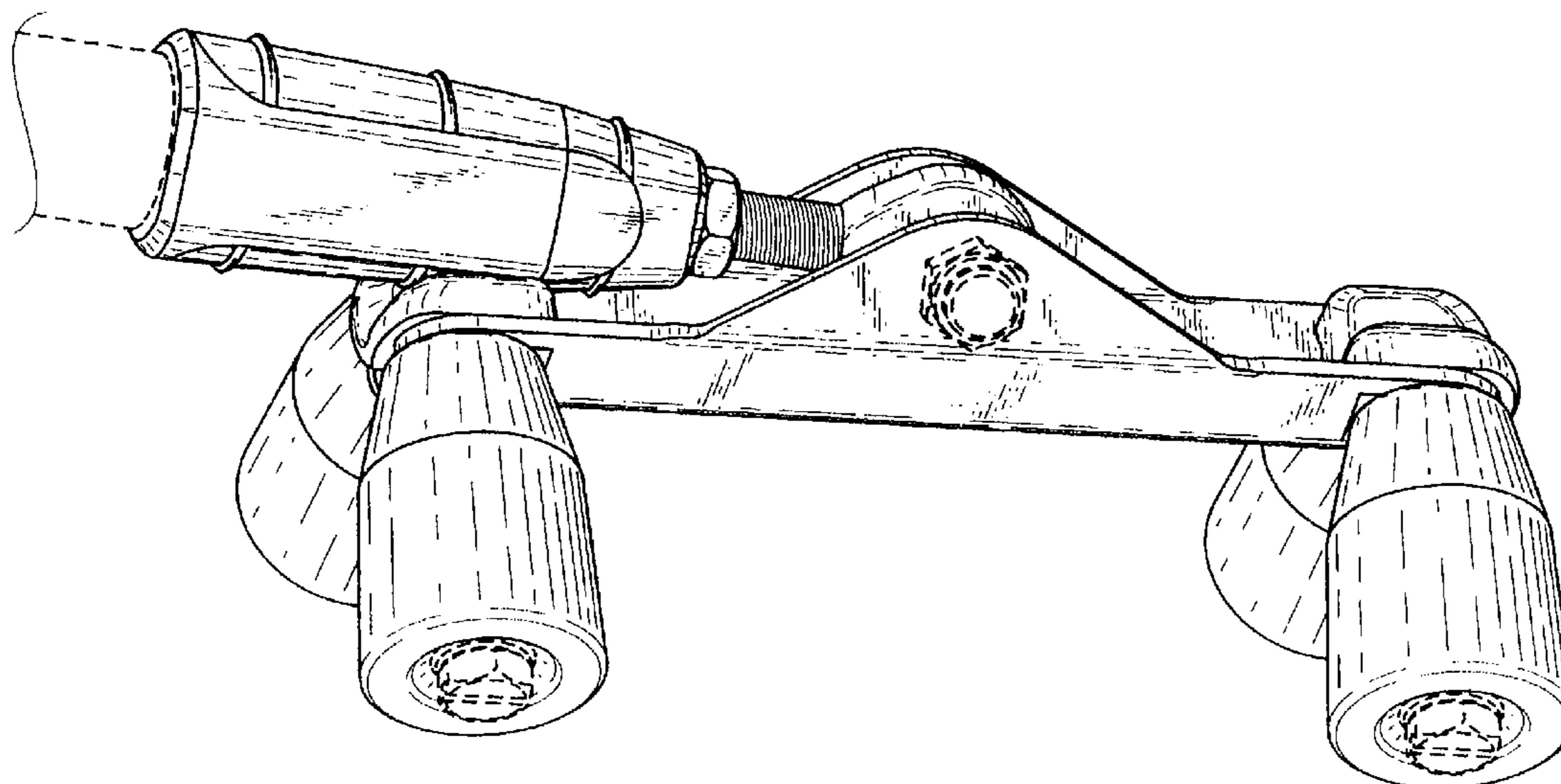
FIG. 4 is a rear view of the same;

FIG. 5 is a top view of the same; and,

FIG. 6 is a bottom view of the same.

The structures depicted in broken lines are provided for environment purposes only and do not constitute part of the claimed invention.

**1 Claim, 5 Drawing Sheets**



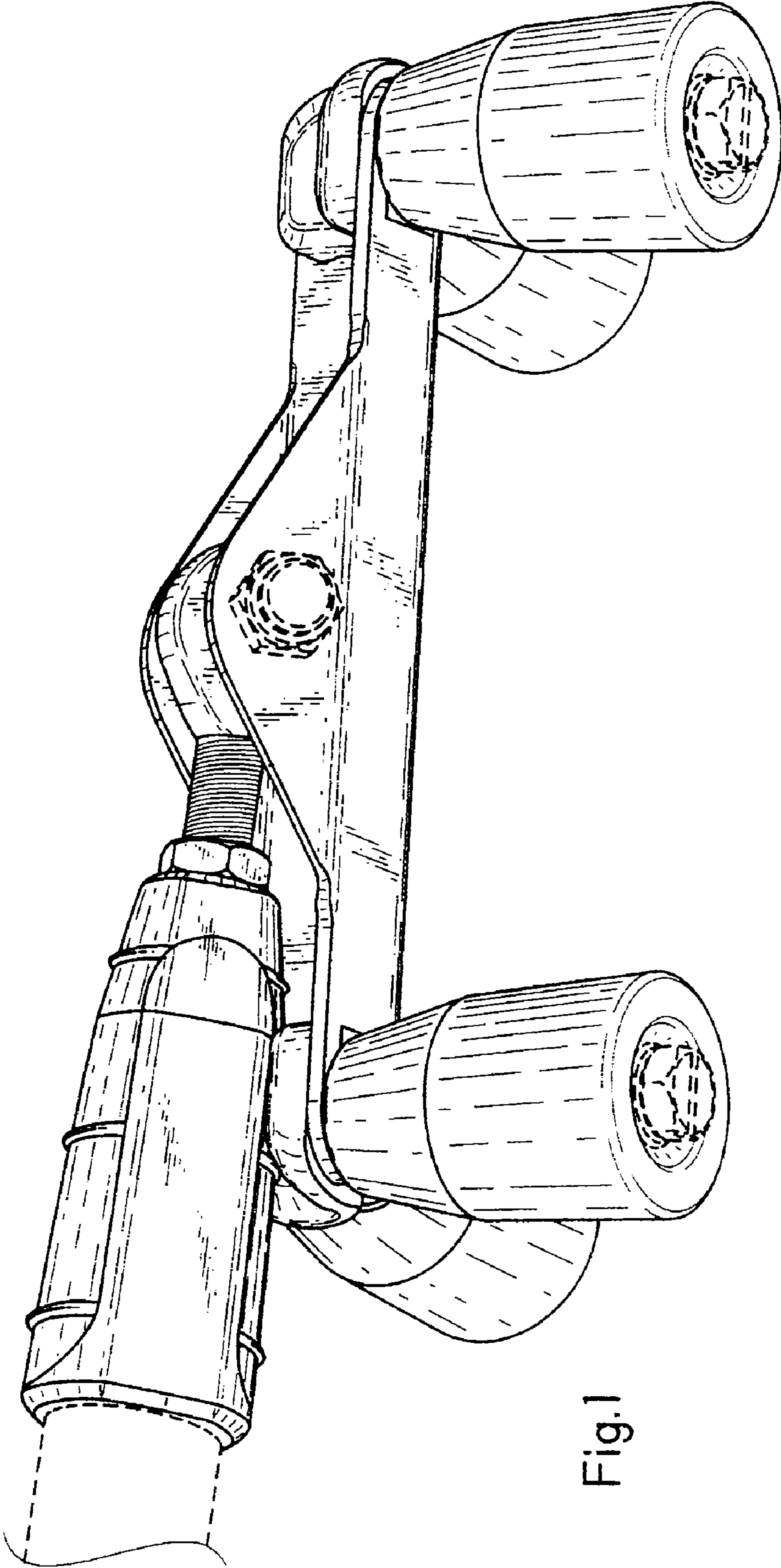


Fig.1

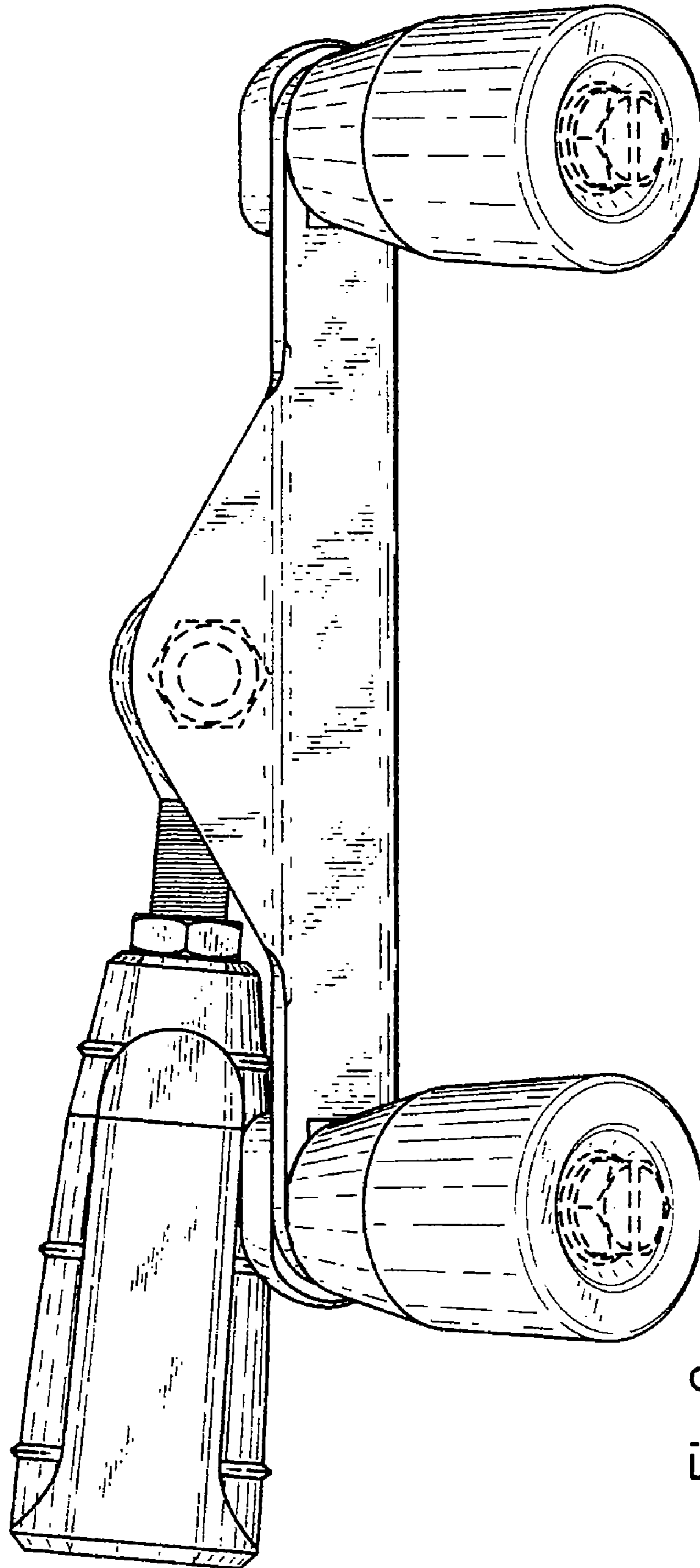


Fig. 2



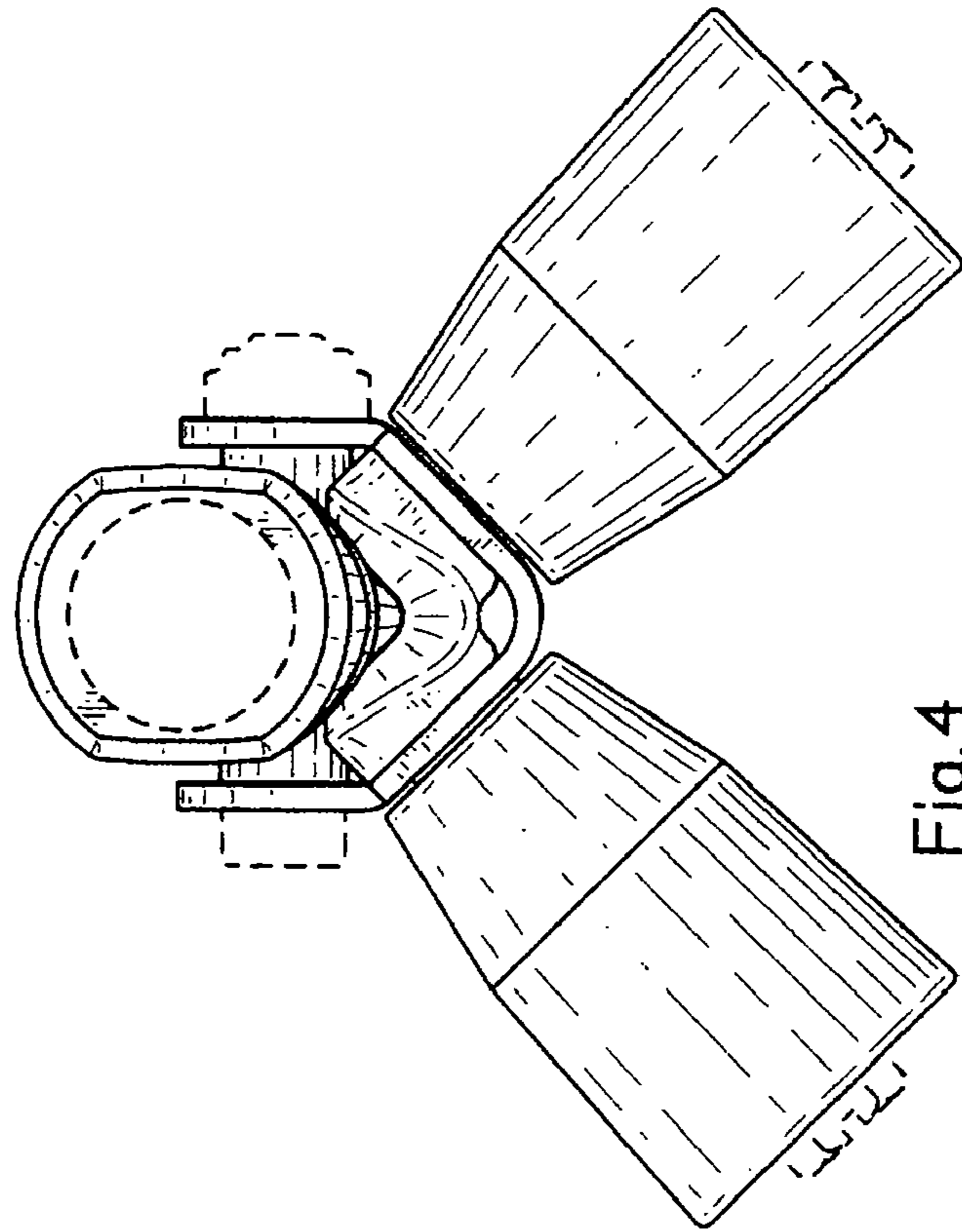


Fig. 4

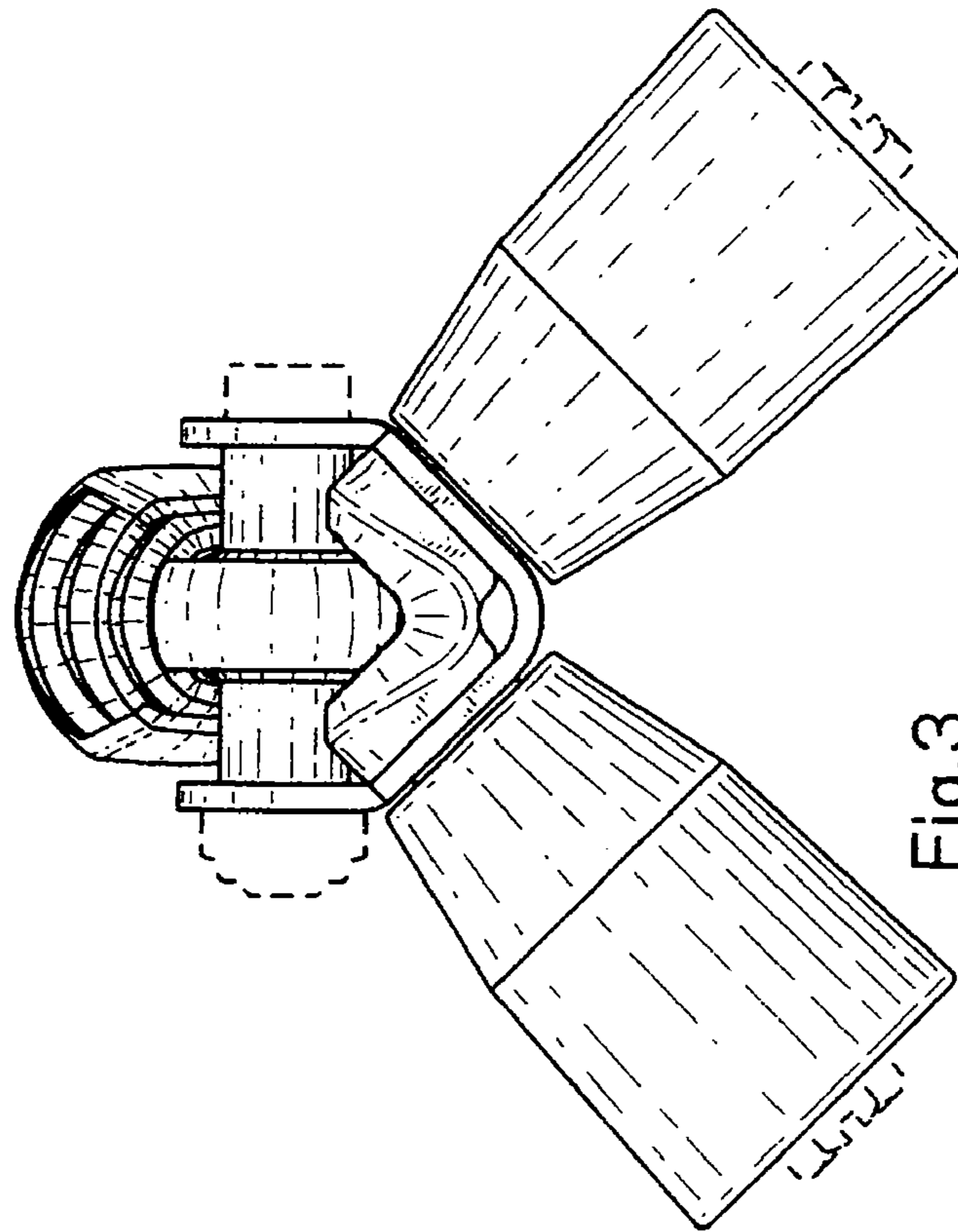


Fig. 3

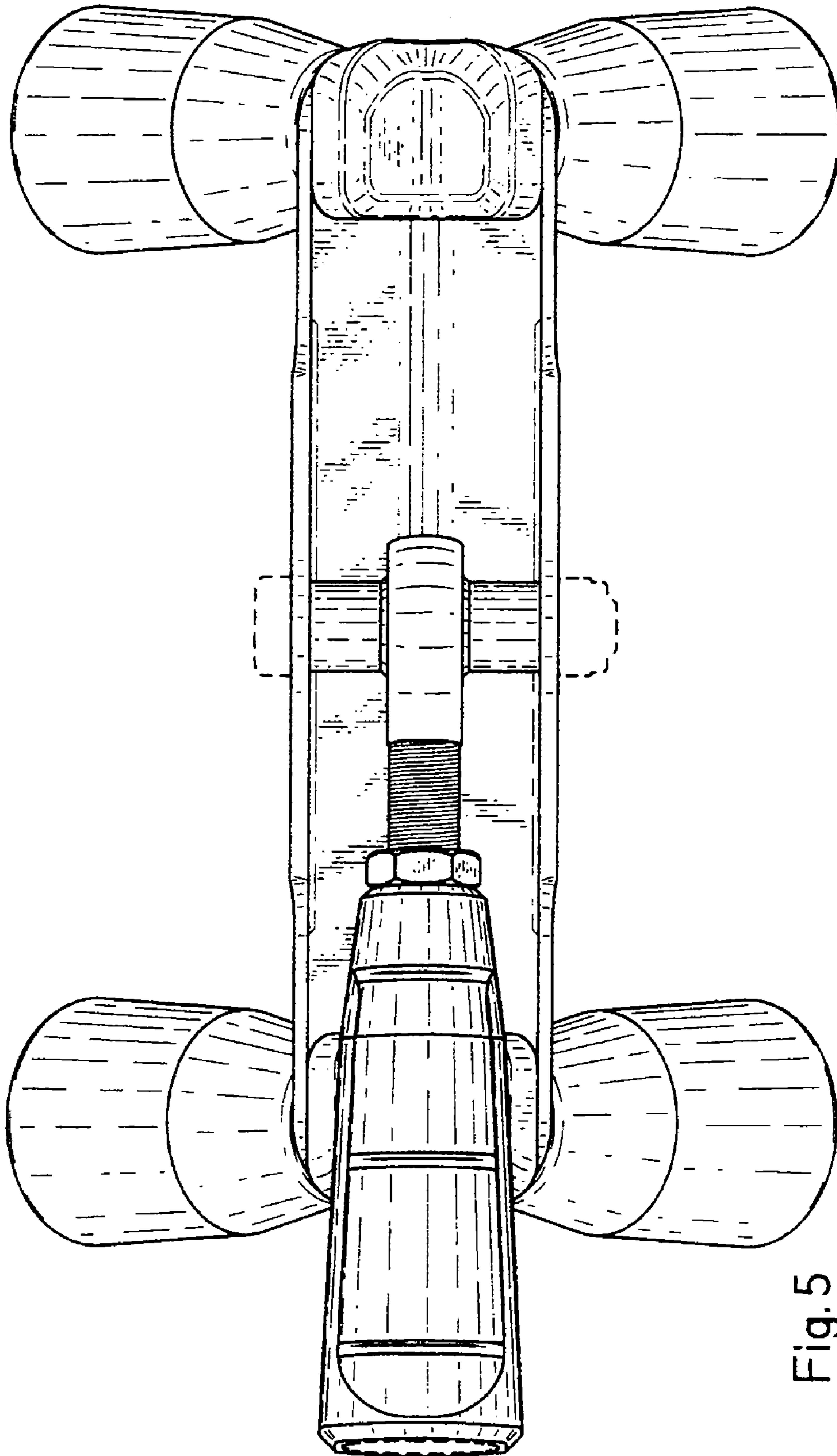


Fig. 5

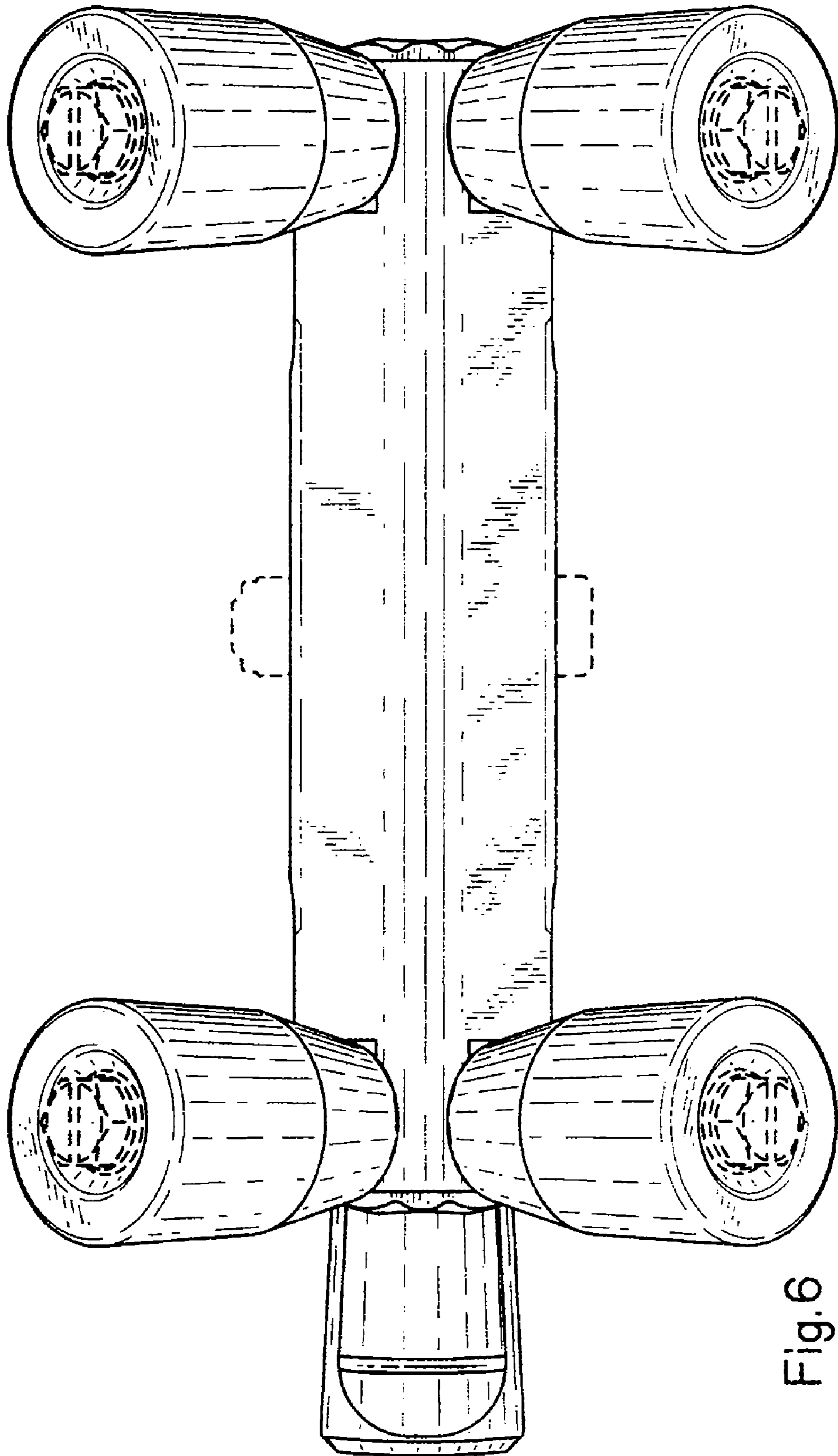


Fig. 6