



US00D598476S

(12) **United States Design Patent**
Centner et al.

(10) **Patent No.:** **US D598,476 S**

(45) **Date of Patent:** **** *Aug. 18, 2009**

(54) **SLITTER GUARD**

(75) Inventors: **James A. Centner**, Villa Hills, KY (US);
Don Culbertson, Hamilton, OH (US)

(73) Assignee: **Omni Technologies, Inc.**, Greendale, IN (US)

(*) Notice: This patent is subject to a terminal disclaimer.

(**) Term: **14 Years**

(21) Appl. No.: **29/283,000**

(22) Filed: **Aug. 3, 2007**

(51) **LOC (9) Cl.** **15-09**

(52) **U.S. Cl.** **D15/138**

(58) **Field of Classification Search** D8/14,
D8/98, 51; D15/138, 139; 30/263, 292,
30/293, 299, 307, 319; 83/478, 482, 502

See application file for complete search history.

(56) **References Cited**

U.S. PATENT DOCUMENTS

2,712,852	A	7/1955	Carter	
2,802,528	A	8/1957	Mastriani	
3,777,607	A	12/1973	Schofield	
4,041,823	A	8/1977	Ashbrook	
4,294,148	A	10/1981	Drixler	
4,422,359	A *	12/1983	Leboeuf	83/546
4,563,793	A *	1/1986	Ryan	452/110
D311,319	S *	10/1990	McClelland	D8/98
5,131,304	A	7/1992	Paavola	
5,370,026	A	12/1994	Cavagna	
D362,006	S	9/1995	Rulseh et al.	
6,155,152	A	12/2000	Bilstein et al.	
6,484,405	B1 *	11/2002	Martelli	30/292
6,502,316	B2 *	1/2003	Campbell et al.	83/478
2001/0035081	A1 *	11/2001	Sutton	83/478
2004/0011177	A1 *	1/2004	Huang	83/478

* cited by examiner

Primary Examiner—Antoine D. Davis

Assistant Examiner—Patricia Palasik

(74) *Attorney, Agent, or Firm*—Wood, Herron & Evans, LLP

(57) **CLAIM**

The ornamental design for a slitter guard, as shown and described.

DESCRIPTION

FIG. 1 is a perspective view of a slitter guard showing our new design.

FIG. 2 is a front elevational view of the embodiment of FIG. 1

FIG. 3 is a left elevational view of the embodiment of FIG. 1.

FIG. 4 is a right elevational view of the embodiment of FIG. 1.

FIG. 5 is a top elevational view of the embodiment of FIG. 1.

FIG. 6 is a bottom elevational view of the embodiment of FIG. 1.

The back elevational view of the embodiment of FIG. 1 is not shown, but is a mirror image of FIG. 2.

FIG. 7 is a perspective view of a second embodiment of a slitter guard showing our new design.

FIG. 8 is a front elevational view of the embodiment of FIG. 7.

FIG. 9 is a left elevational view of the embodiment of FIG. 7.

FIG. 10 is a right elevational view of the embodiment of FIG. 7.

FIG. 11 is a top elevational view of the embodiment of FIG. 7; and,

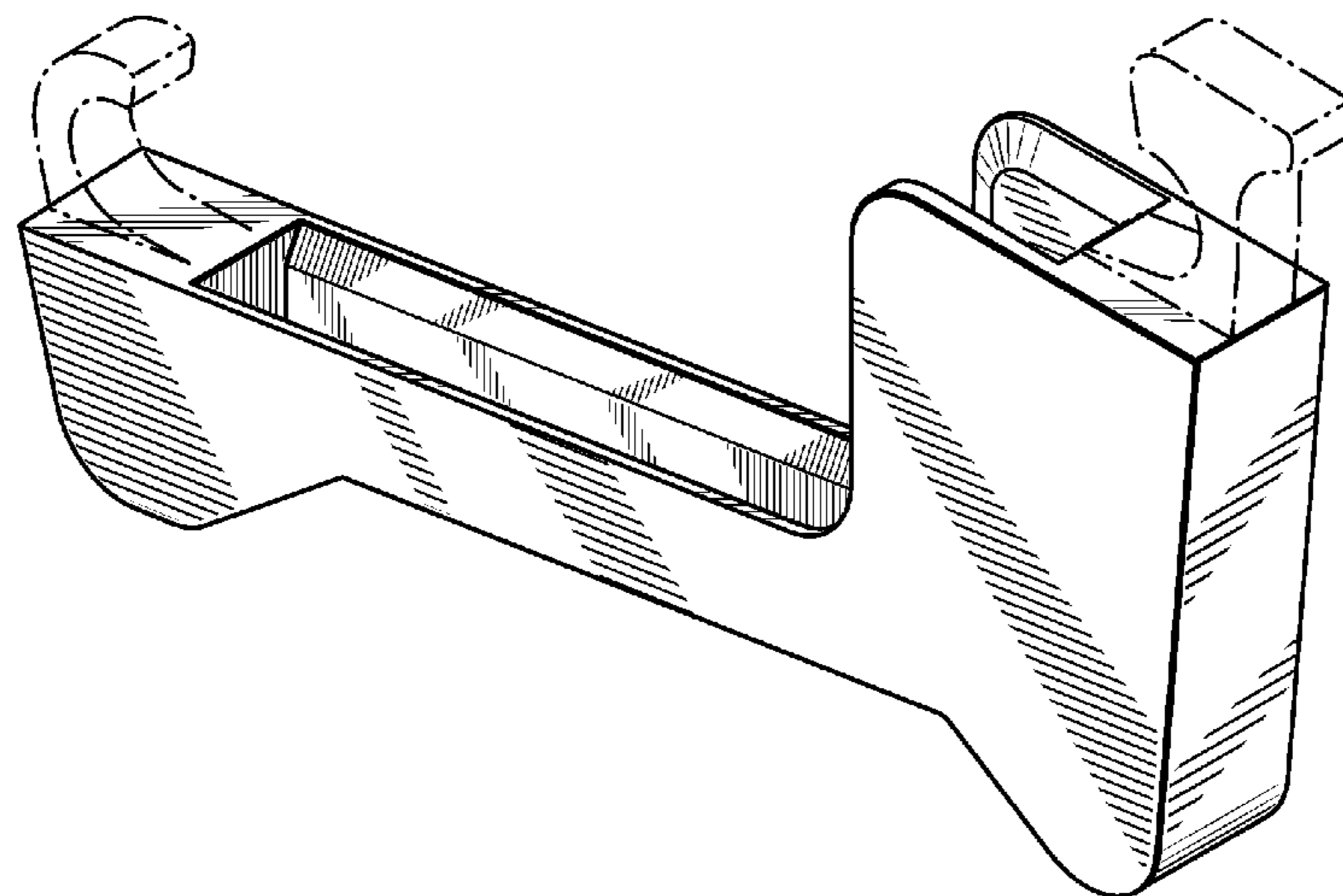
FIG. 12 is a bottom elevational view of the embodiment of FIG. 7.

The back elevational view of the embodiment of FIG. 7 is not shown, but is a mirror image of FIG. 8.

The broken lines in FIGS. 1, 2, 7, and 8 are for illustrative purposes only, and form no part of the claimed slitter guard.

The broken line showing of the slitter guard is included for the purpose of illustrating portions of the slitter guard and forms no part of the claimed design.

1 Claim, 4 Drawing Sheets



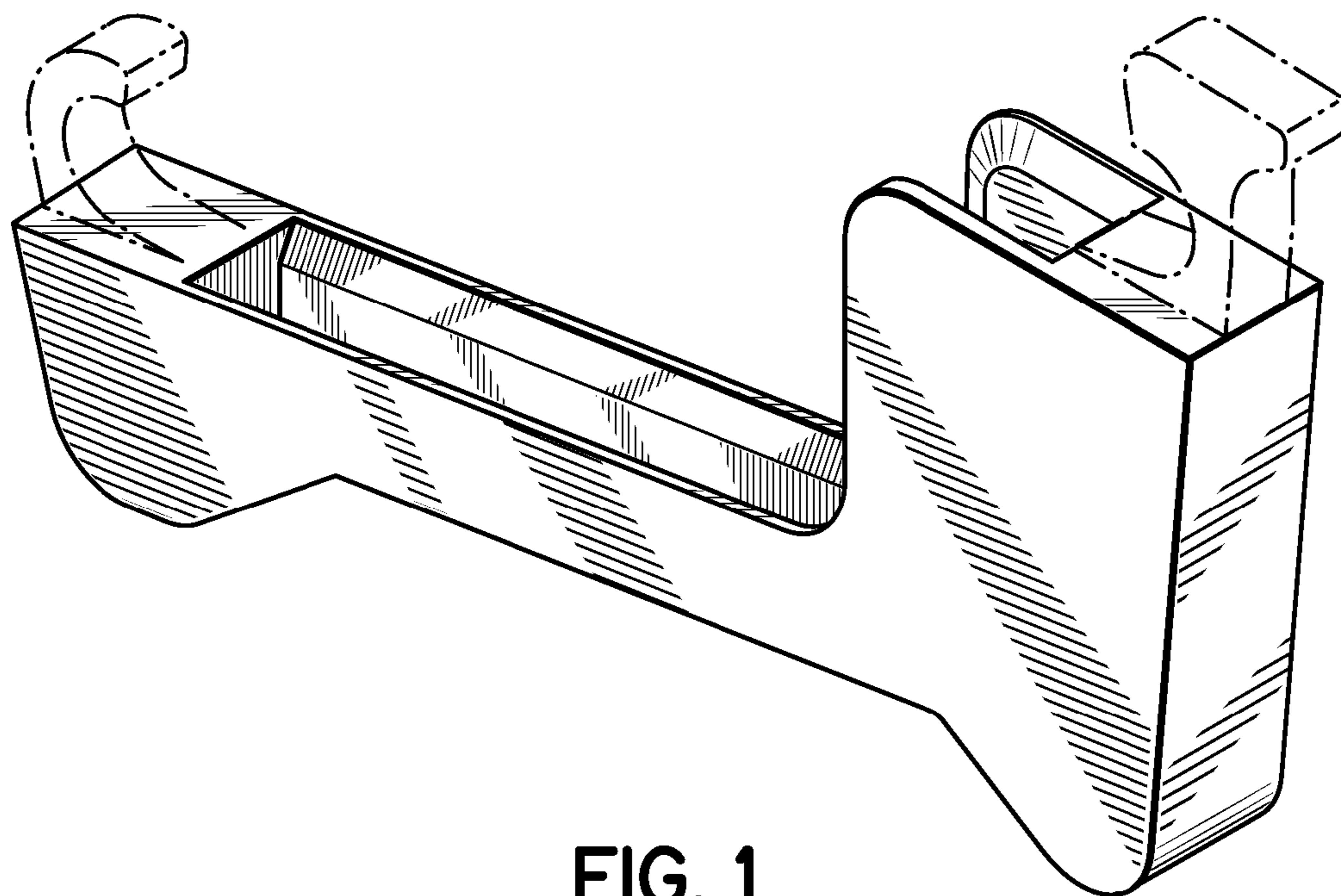


FIG. 1

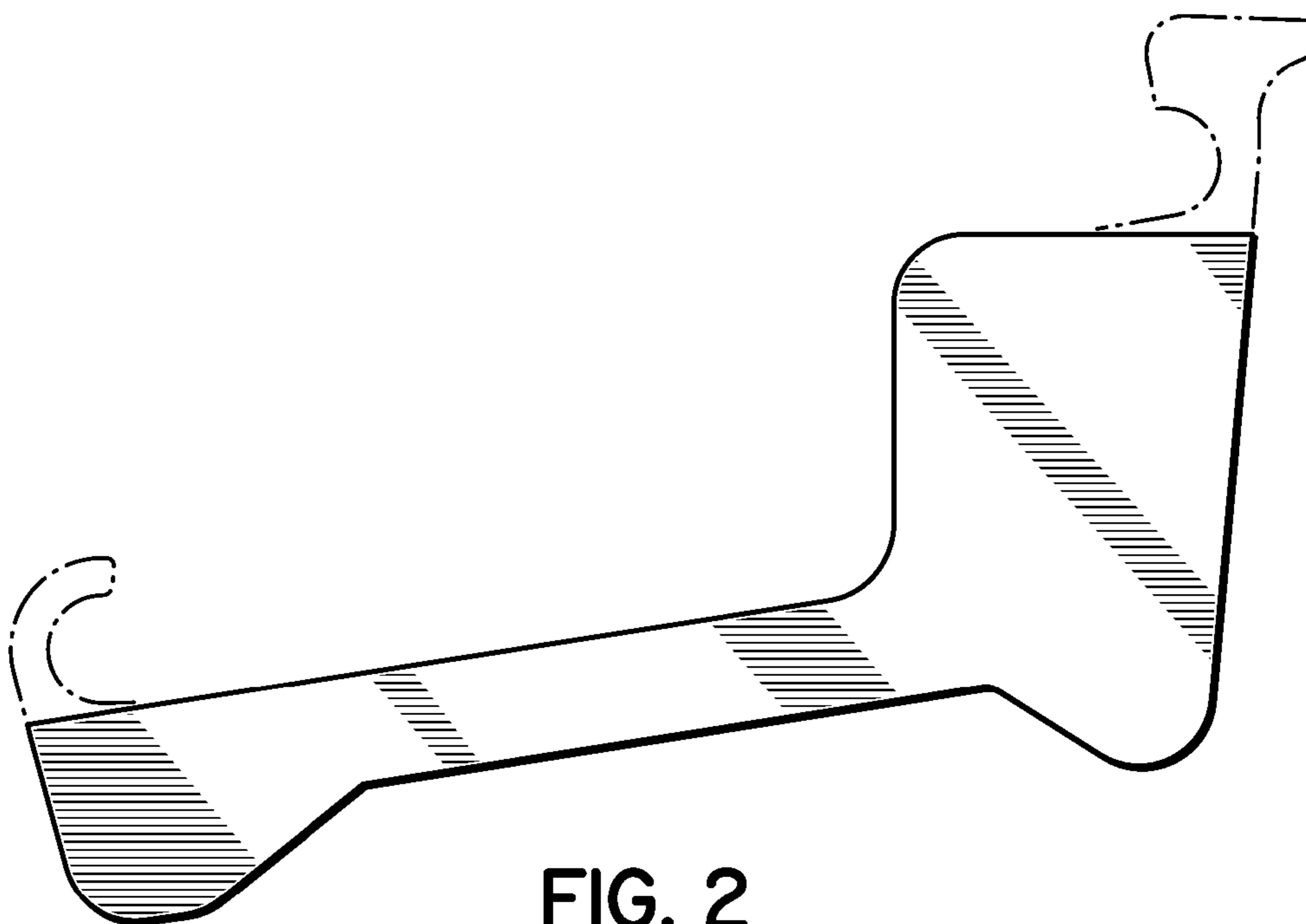


FIG. 2

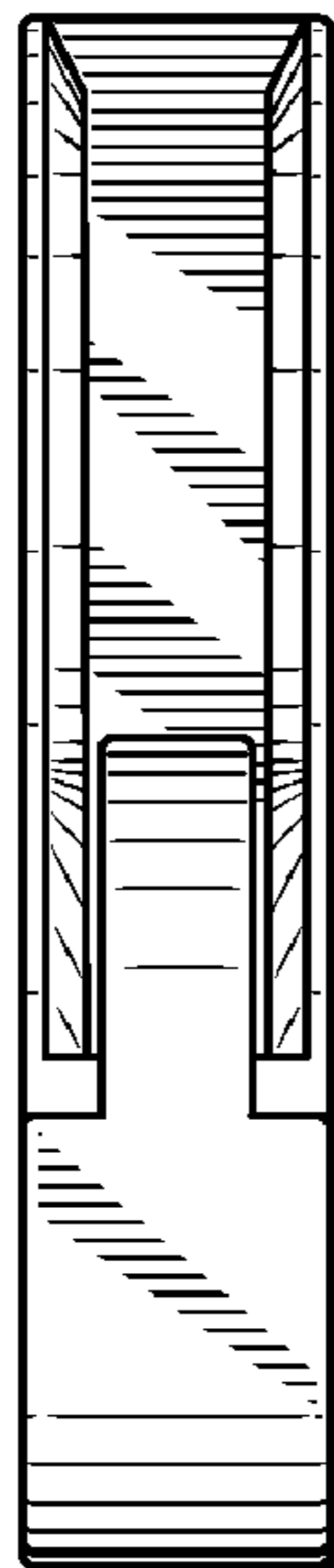


FIG. 3

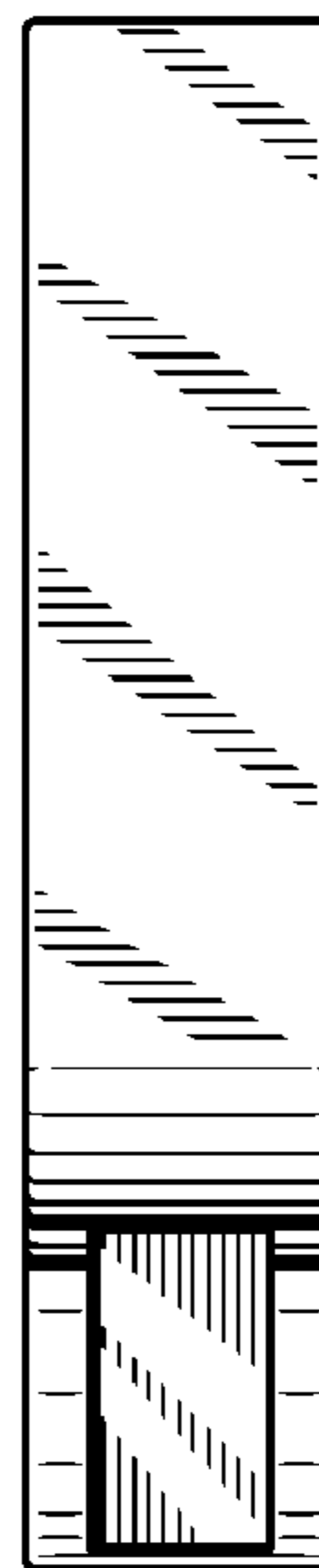


FIG. 4

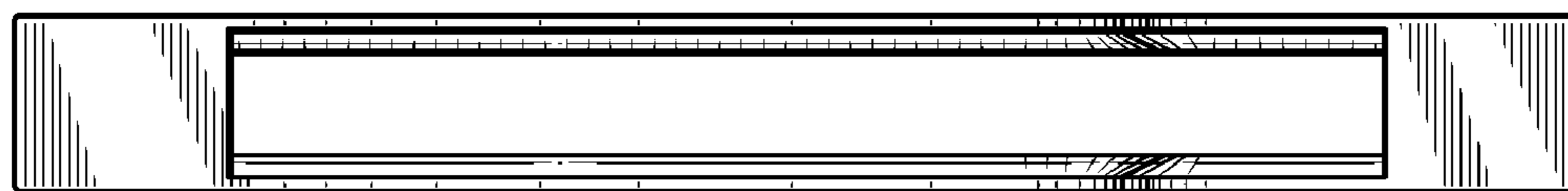


FIG. 5

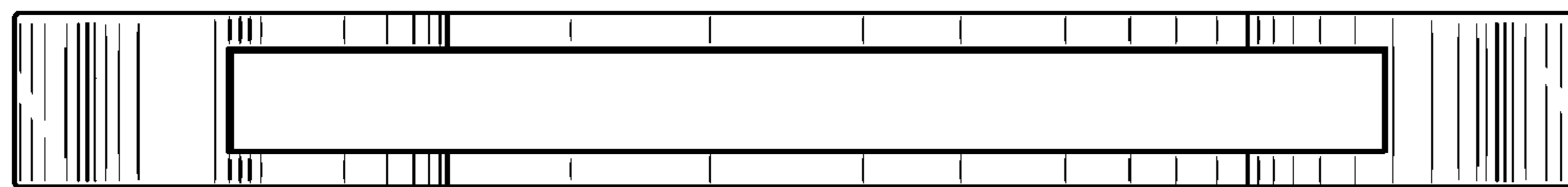


FIG. 6

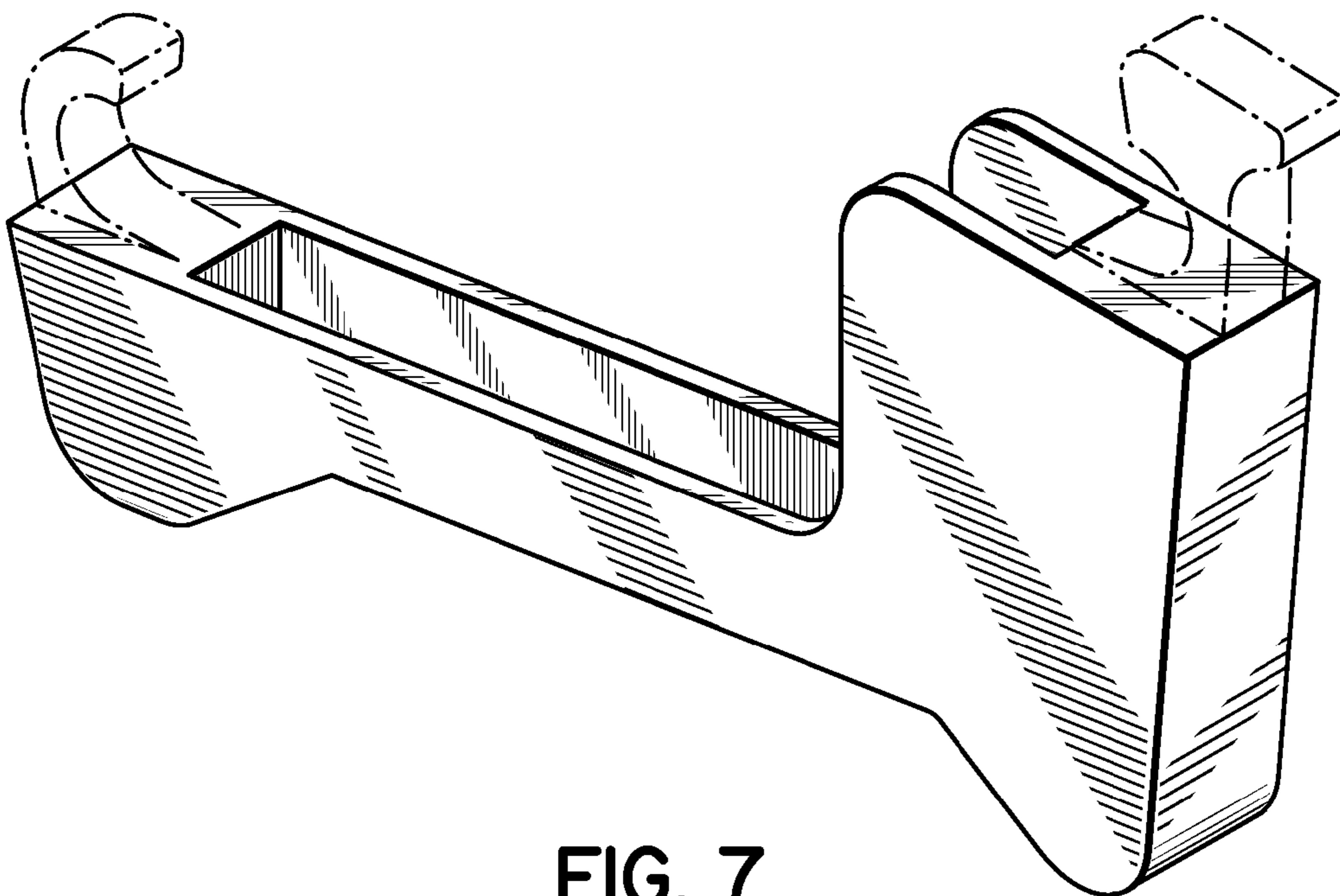


FIG. 7

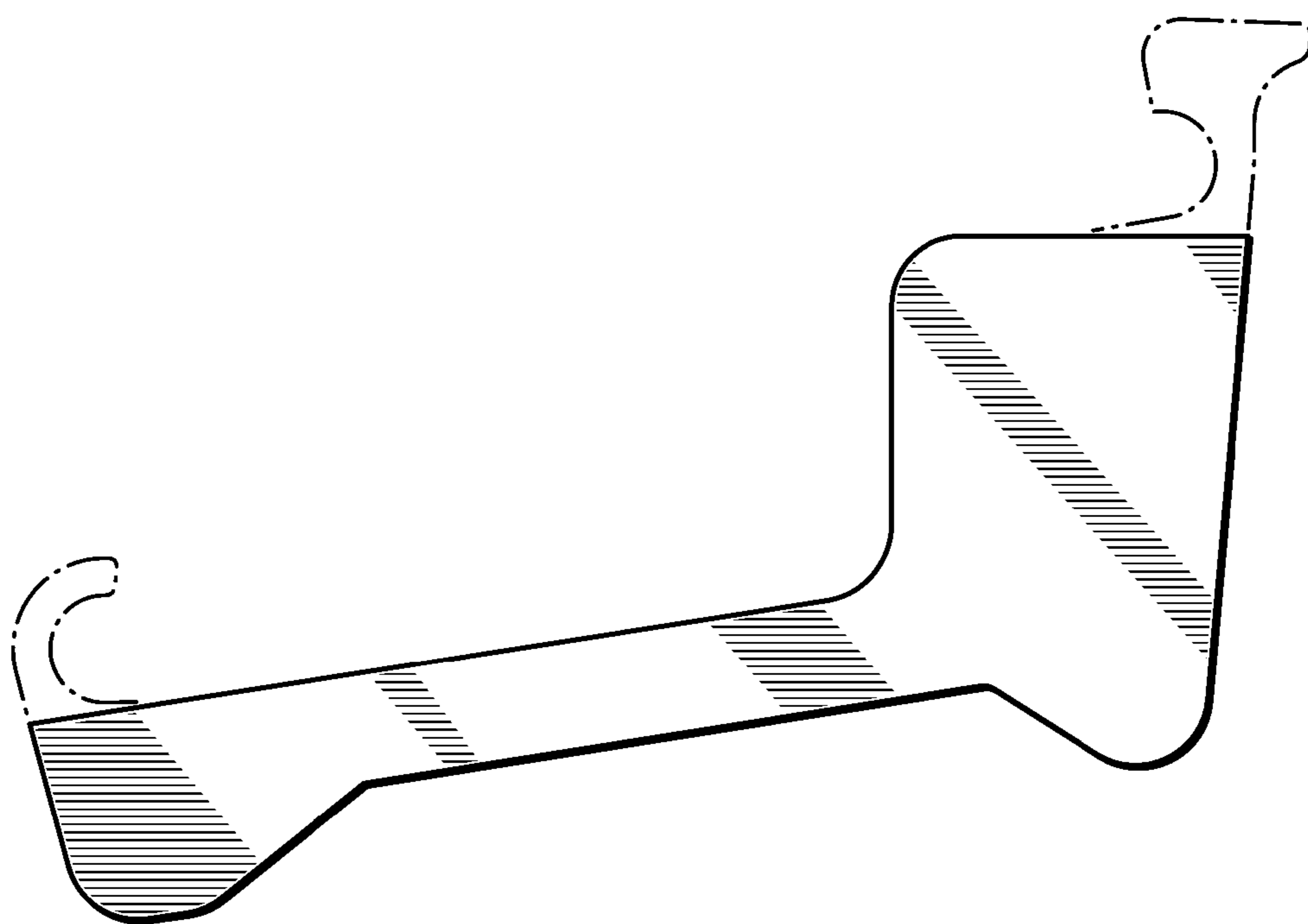


FIG. 8

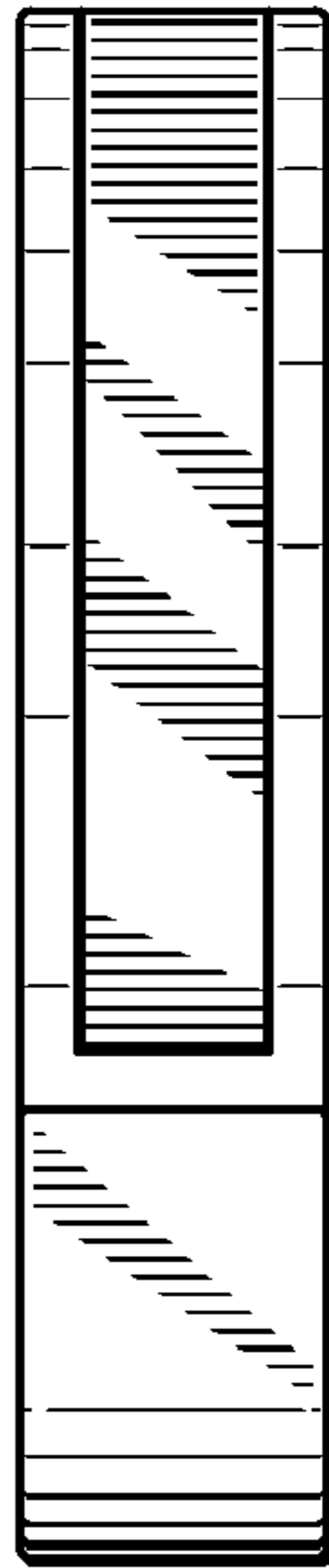


FIG. 9

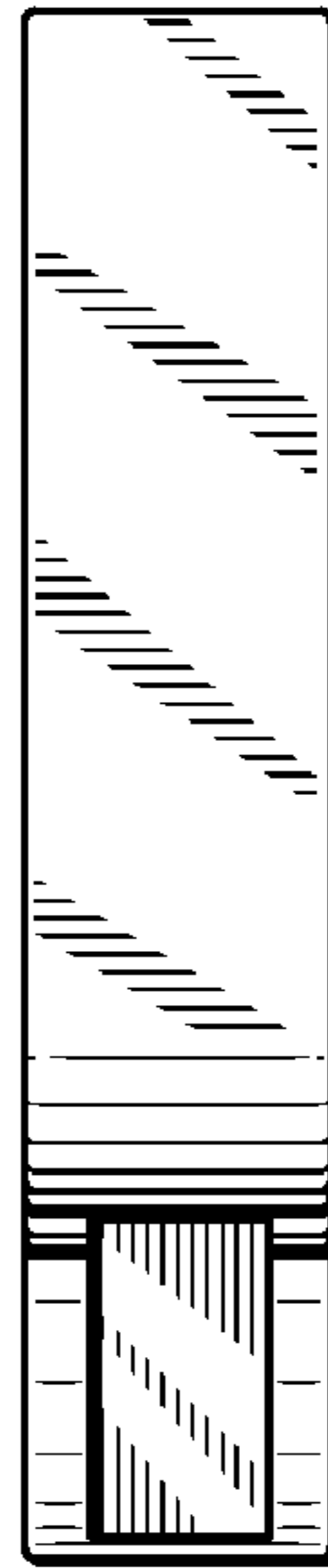


FIG. 10



FIG. 11

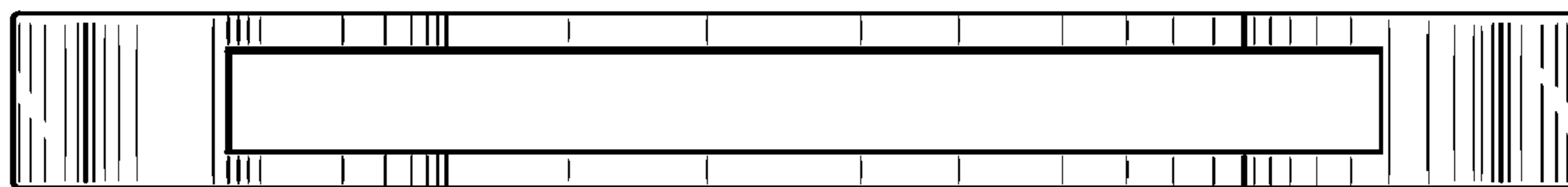


FIG. 12