



US00D598474S

(12) **United States Design Patent**
Bowman

(10) **Patent No.:** **US D598,474 S**

(45) **Date of Patent:** **** Aug. 18, 2009**

(54) **LAWN MOWER ACCESSORY**

(76) Inventor: **Timothy Bowman**, 431 Greenridge Rd.,
Cartersville, GA (US) 30120

(**) Term: **14 Years**

(21) Appl. No.: **29/329,617**

(22) Filed: **Dec. 18, 2008**

(51) **LOC (9) Cl.** **15-03**

(52) **U.S. Cl.** **D15/17**

(58) **Field of Classification Search** D15/17;
D12/608; 301/47; 56/16.7, DIG. 10, DIG. 9;
172/21, 22, 540, 554, 556; 152/225 R, 229,
152/56, 222, 223

See application file for complete search history.

(56) **References Cited**

U.S. PATENT DOCUMENTS

1,361,022 A	12/1920	Cucchiara	
1,427,813 A	9/1922	Holt	
1,481,570 A *	1/1924	Toffey	152/223
1,538,148 A	5/1925	Trullinger	
1,615,154 A	1/1927	Anderson	
1,655,508 A	1/1928	ODean	
1,719,746 A	7/1929	Baker	
2,353,916 A	7/1944	Mickelson	
2,441,471 A	5/1948	Chausse	
2,586,049 A	2/1952	Jacobs	
2,598,851 A *	6/1952	Spevak	301/43
2,679,882 A	6/1954	Rich	
2,741,968 A	4/1956	Harris	
3,085,614 A *	4/1963	Rozanski	152/229
3,221,822 A	12/1965	Dedoes	
4,589,252 A	5/1986	Williams	
4,662,417 A	5/1987	Lee	
4,735,038 A *	4/1988	Williams	56/255
D299,204 S *	1/1989	Nappi	D8/8
5,528,891 A	6/1996	Wzietek	
5,662,172 A	9/1997	Brown	
5,765,645 A	6/1998	Postema	
5,906,090 A	5/1999	Knudsen	

5,934,055 A	8/1999	Steele	
6,422,321 B1 *	7/2002	Dillon	172/21
6,684,960 B1	2/2004	Ng et al.	
6,832,657 B1	12/2004	LaFlair	
6,881,001 B1	4/2005	McCamy	
2007/0284122 A1 *	12/2007	Bowman	172/21
2008/0257572 A1 *	10/2008	Bowman	172/21

OTHER PUBLICATIONS

Office Action mailed Mar. 18, 2008 in related U.S. Appl. No. 11/692,604.

International Search Report dated Sep. 9, 2008.

Office Action dated Oct. 20, 2008 from related U.S. Appl. No. 11/692,604.

* cited by examiner

Primary Examiner—Ian Simmons

Assistant Examiner—Mark A Goodwin

(74) *Attorney, Agent, or Firm*—Thomas, Kayden, Horstemeyer & Risley, LLP.

(57) **CLAIM**

The ornamental design of a lawn mower accessory, as shown and described.

DESCRIPTION

FIG. 1 is a side view of the lawn mower accessory showing our new design in an arrangement of multiple parts, in use condition.

FIG. 2 is an enlarged side view thereof of the lawnmower accessory.

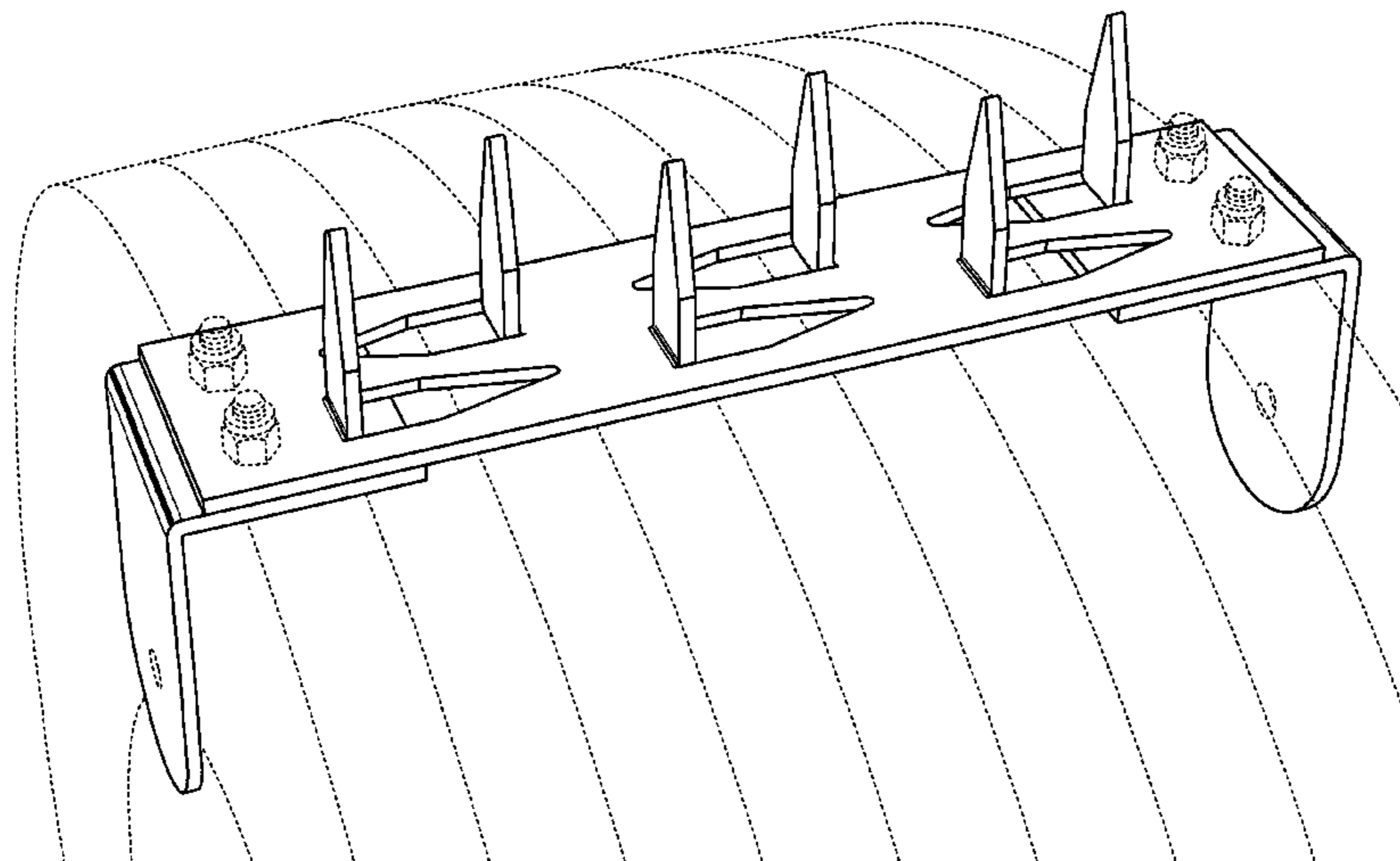
FIG. 3 is an enlarged perspective view thereof shown in use condition.

FIG. 4 is a top view thereof; and,

FIG. 5 is a front view thereof.

The broken line showing of the cut away wheel structure in FIGS. 1 and 3, the bolts, and other elements in all the figures, is included for the purpose of illustrating environmental structure only and forms no part of the claimed design.

1 Claim, 3 Drawing Sheets



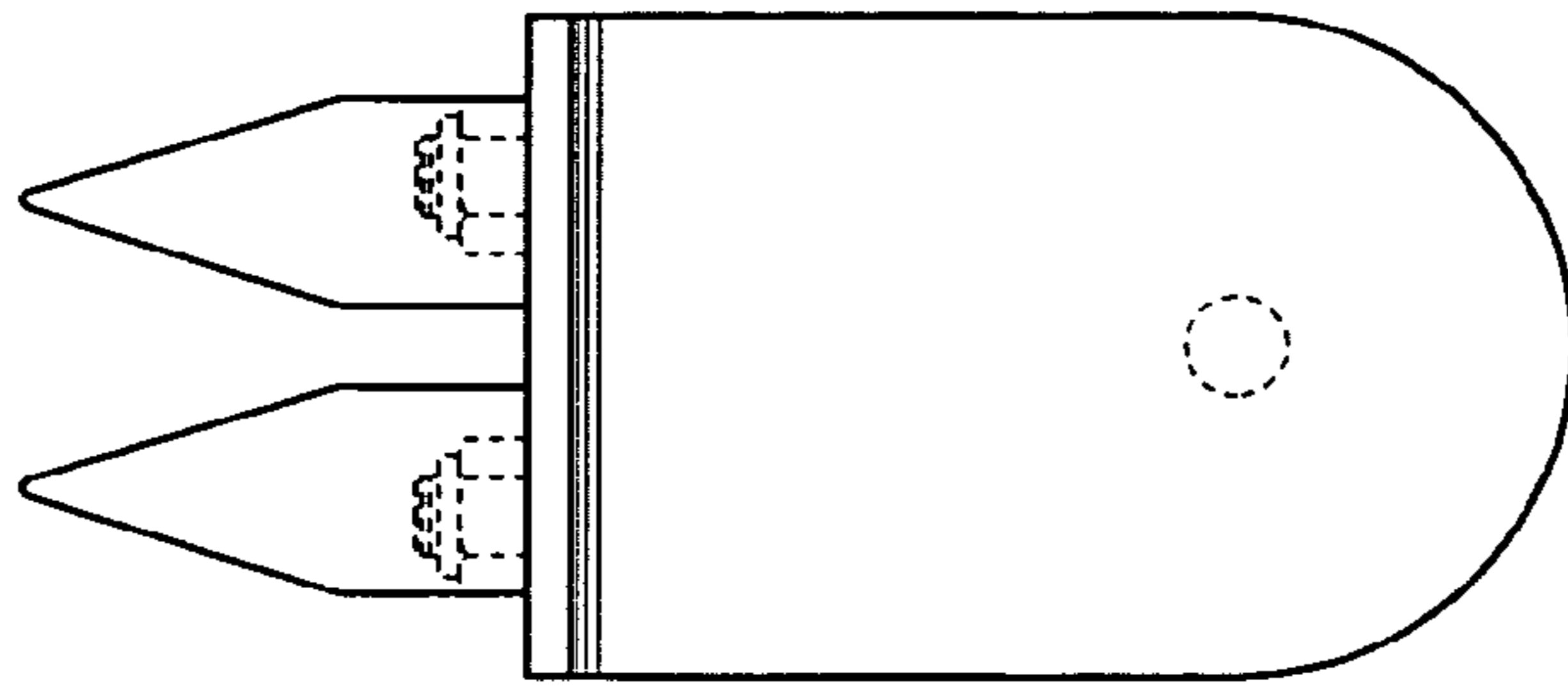
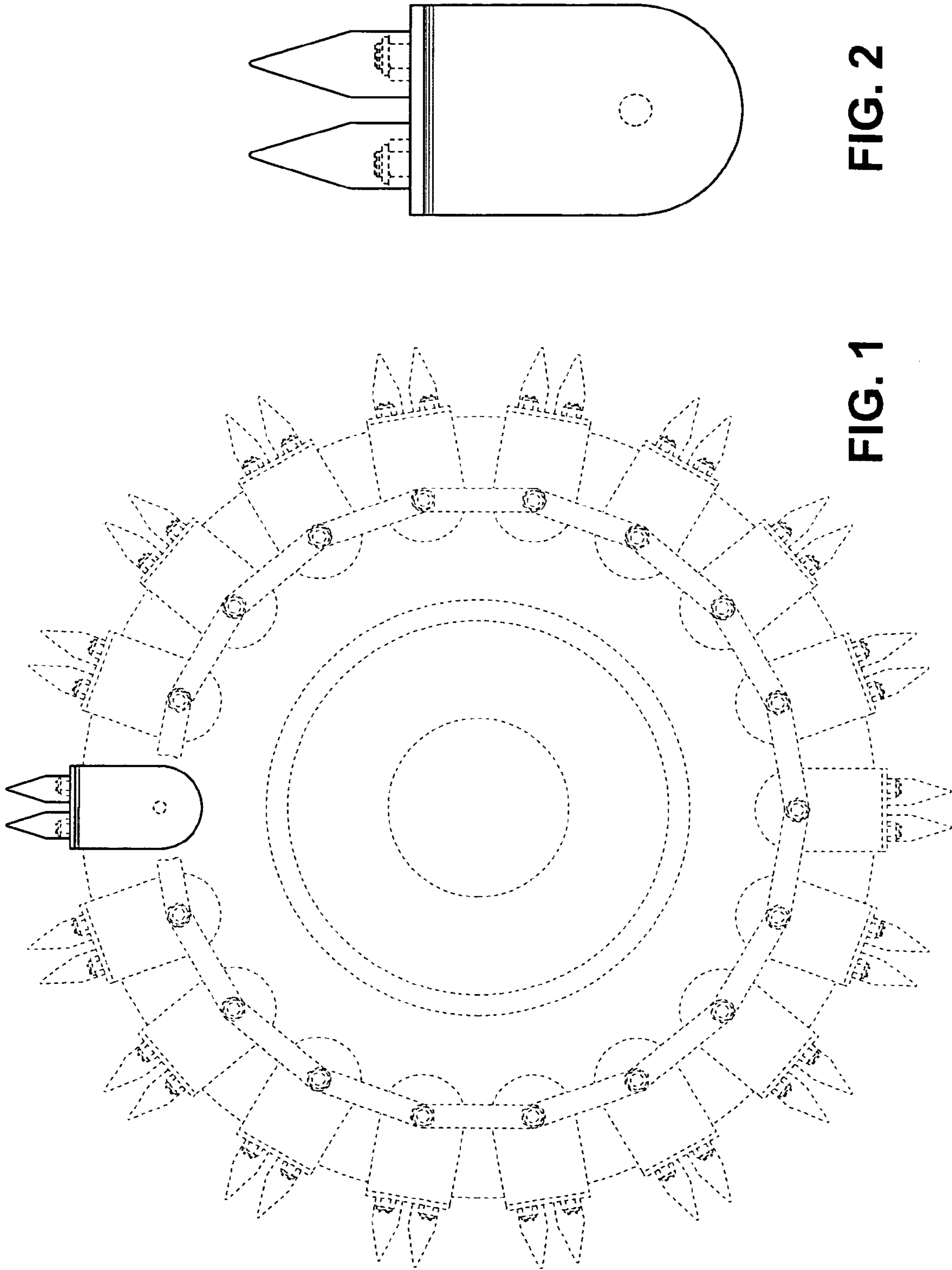


FIG. 2

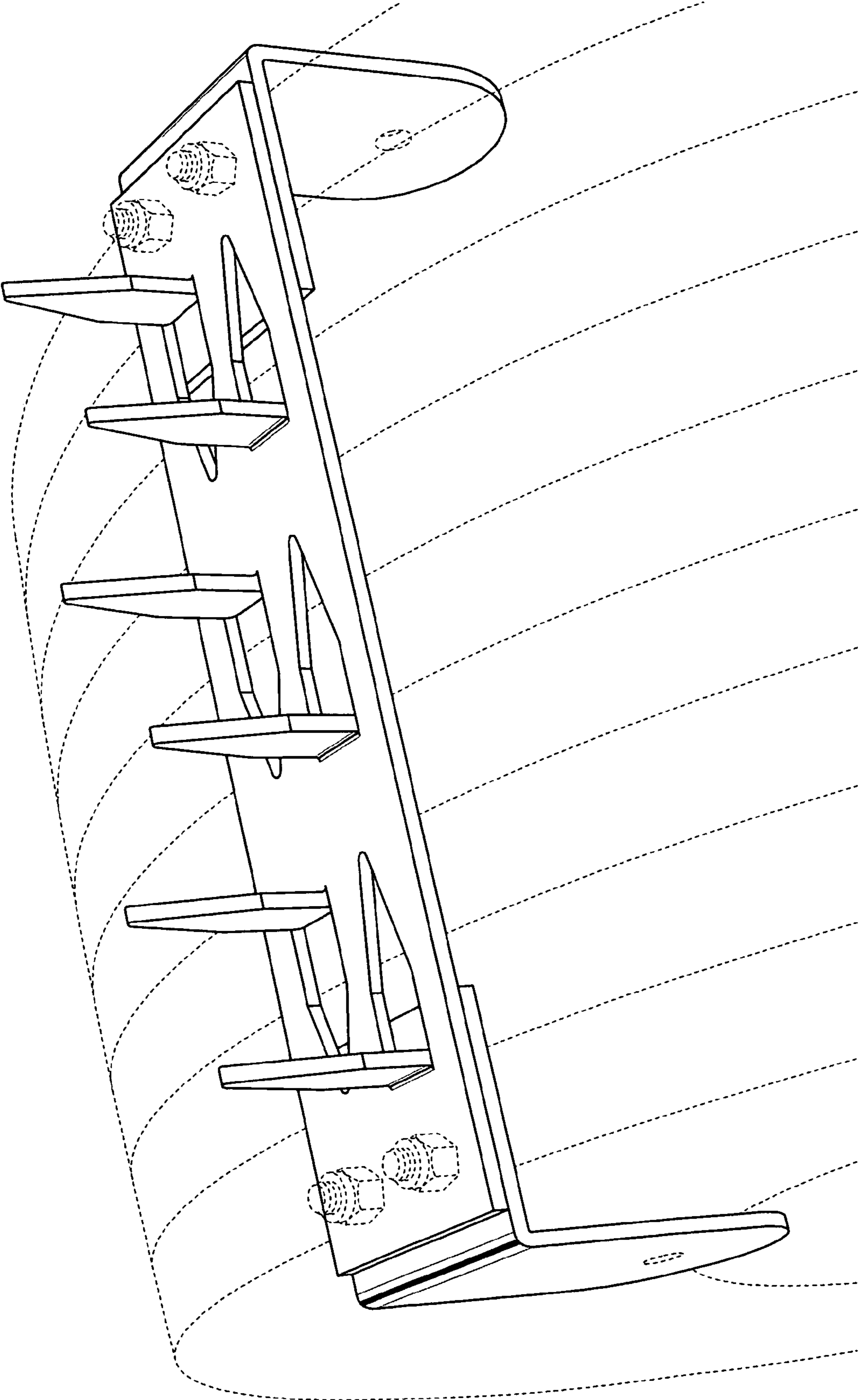


FIG. 3

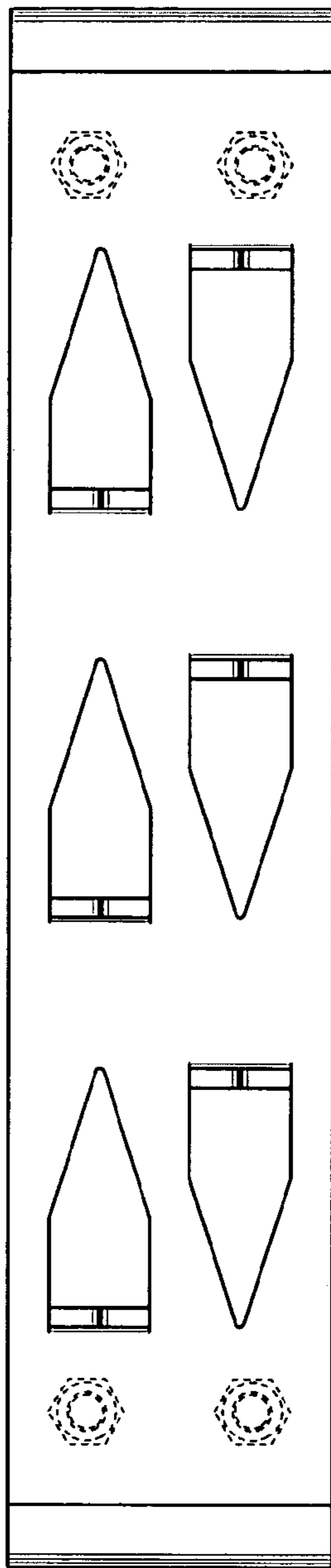


FIG. 4

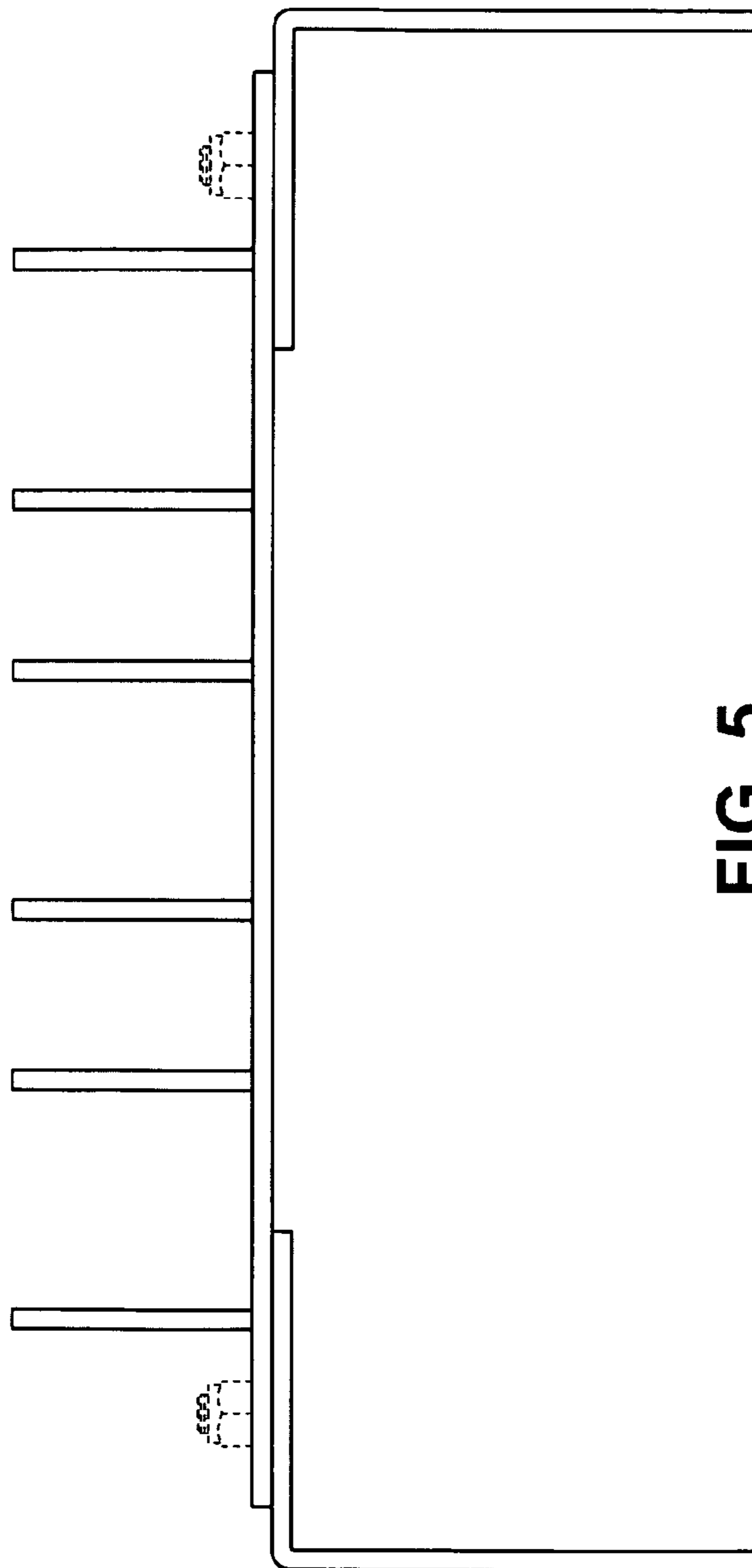


FIG. 5