

US00D598473S

(12) **United States Design Patent**
Ferrari

(10) **Patent No.:** **US D598,473 S**

(45) **Date of Patent:** **** Aug. 18, 2009**

(54) **LAWN MOWER TRACTOR**

(75) Inventor: **Simone Ferrari**, Preganziol (IT)

(73) Assignee: **GGP Italy S.p.A.**, Veneto (IT)

(**) Term: **14 Years**

(21) Appl. No.: **29/309,630**

(22) Filed: **Sep. 16, 2008**

(30) **Foreign Application Priority Data**

Mar. 18, 2008 (EM) 000899794

(51) **LOC (9) Cl.** **15-03**

(52) **U.S. Cl.** **D15/15**

(58) **Field of Classification Search** D15/14-17,
D15/23, 26, 10; 56/13.4, 13.3, 15.8, 15.9,
56/16.1, 16.7, 175, 202; 180/89.1, 89.12,
180/900

See application file for complete search history.

(56) **References Cited**

U.S. PATENT DOCUMENTS

- D297,538 S * 9/1988 Ogasawara et al. D15/15
- D310,374 S * 9/1990 Westimayer et al. D15/15
- D312,260 S * 11/1990 Uemura D15/23
- D314,777 S * 2/1991 Crabtree et al. D15/15
- D345,166 S * 3/1994 Kamlukin et al. D15/15
- D353,146 S * 12/1994 Yaguchi et al. D15/15
- D354,756 S * 1/1995 Hinklin D15/15
- D363,939 S * 11/1995 Kato et al. D15/15

- D421,266 S * 2/2000 Hinklin D15/15
- D422,606 S * 4/2000 Katoh et al. D15/23
- D423,520 S * 4/2000 Smith D15/15
- D438,546 S * 3/2001 Katoh et al. D15/23
- D473,570 S * 4/2003 Kuwae D15/15
- D547,333 S * 7/2007 Nishi et al. D15/23
- D558,797 S * 1/2008 Yamamoto et al. D15/26
- D581,953 S * 12/2008 Matsumoto et al. D15/23

* cited by examiner

Primary Examiner—Ian Simmons

Assistant Examiner—Mark A Goodwin

(74) *Attorney, Agent, or Firm*—Wenderoth, Lind & Ponack, L.L.P.

(57) **CLAIM**

The ornamental design for “lawn mower tractor,” as shown and described.

DESCRIPTION

FIG. 1 is a right front perspective view of a lawn mower tractor showing my new design;

FIG. 2 is a left front perspective view thereof;

FIG. 3 is a top plan view thereof;

FIG. 4 is right side view thereof;

FIG. 5 is a left side view thereof;

FIG. 6 is a front view thereof; and,

FIG. 7 is a rear view thereof.

1 Claim, 7 Drawing Sheets

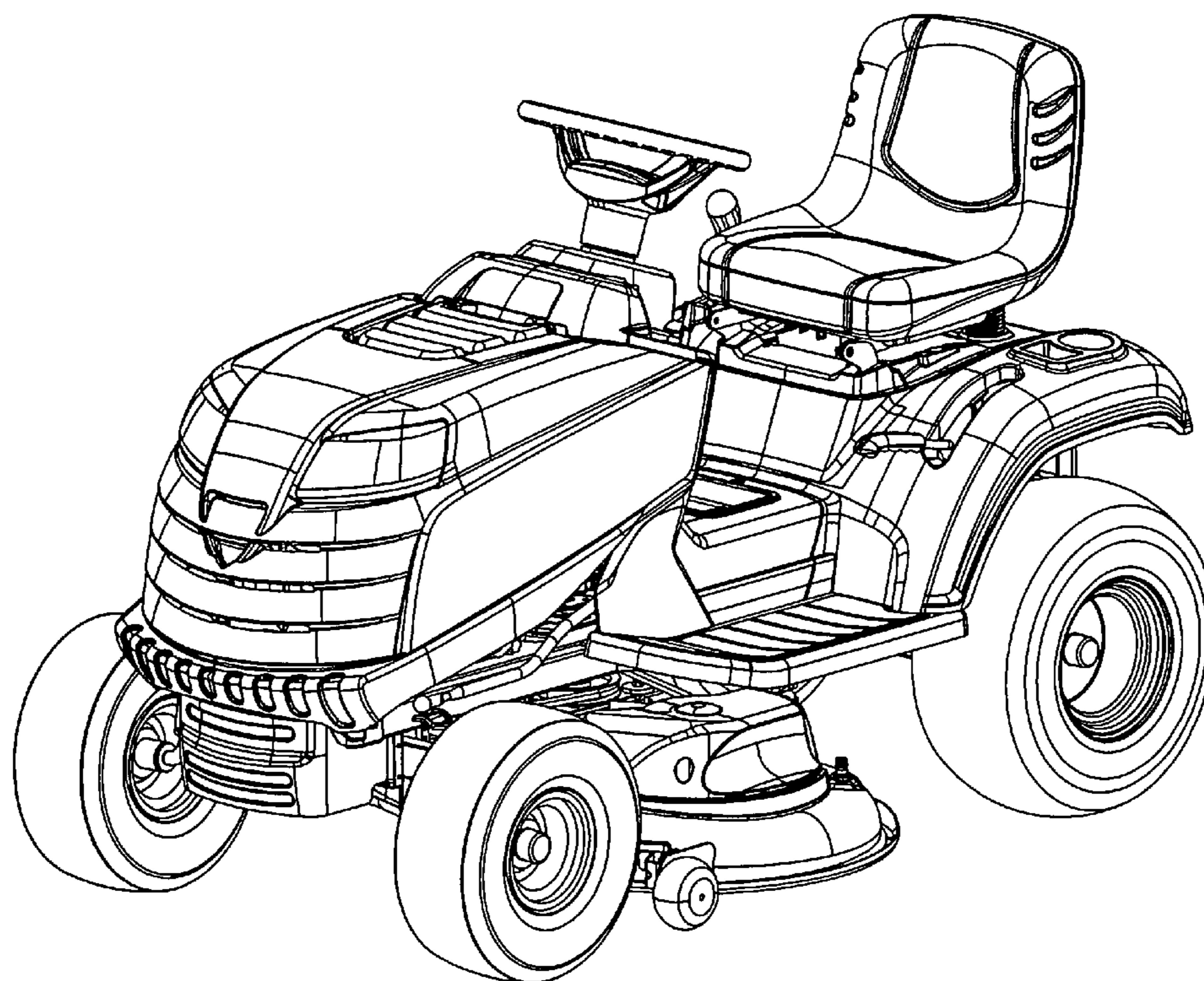
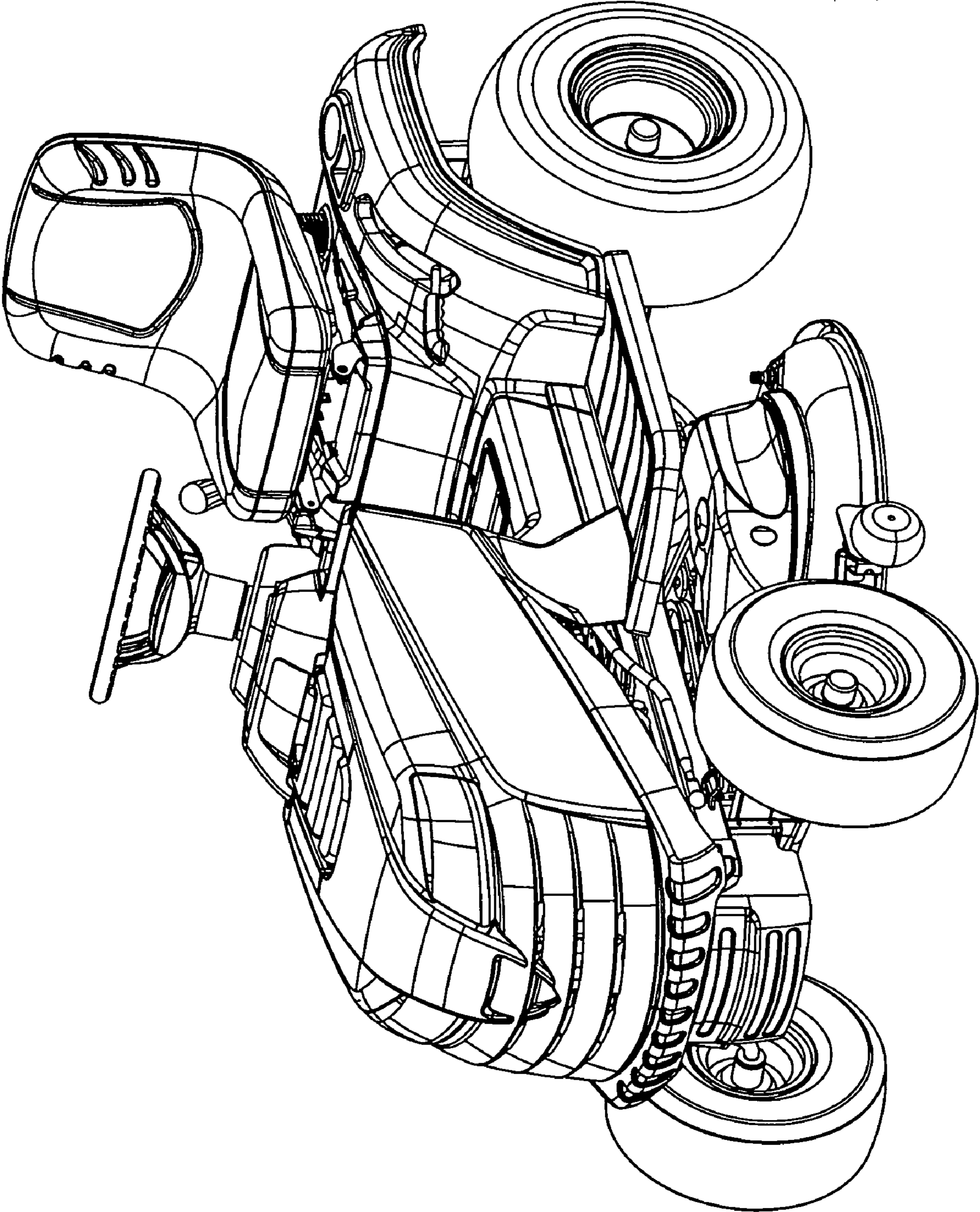


FIG. 1



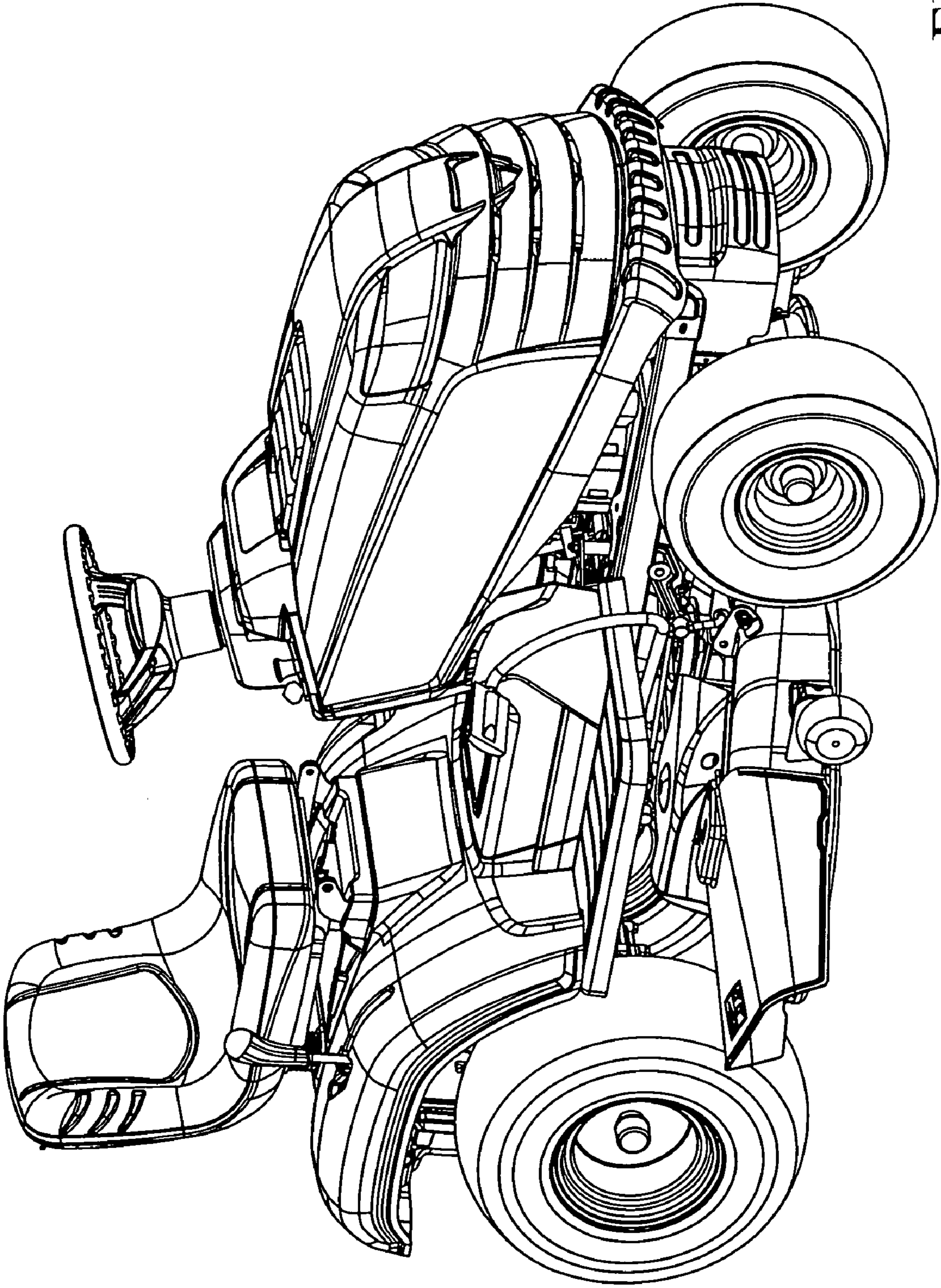


FIG. 2

FIG. 3

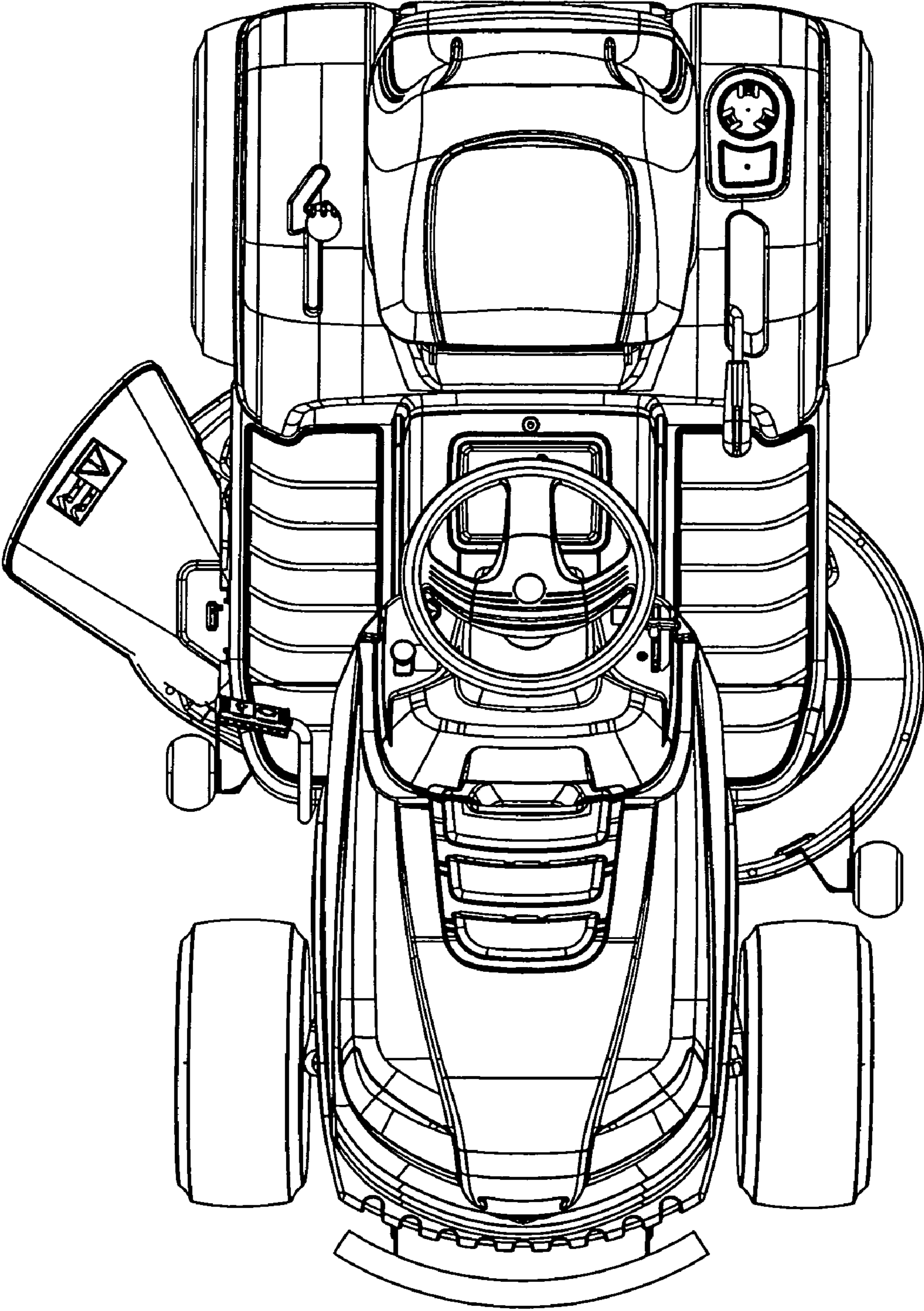
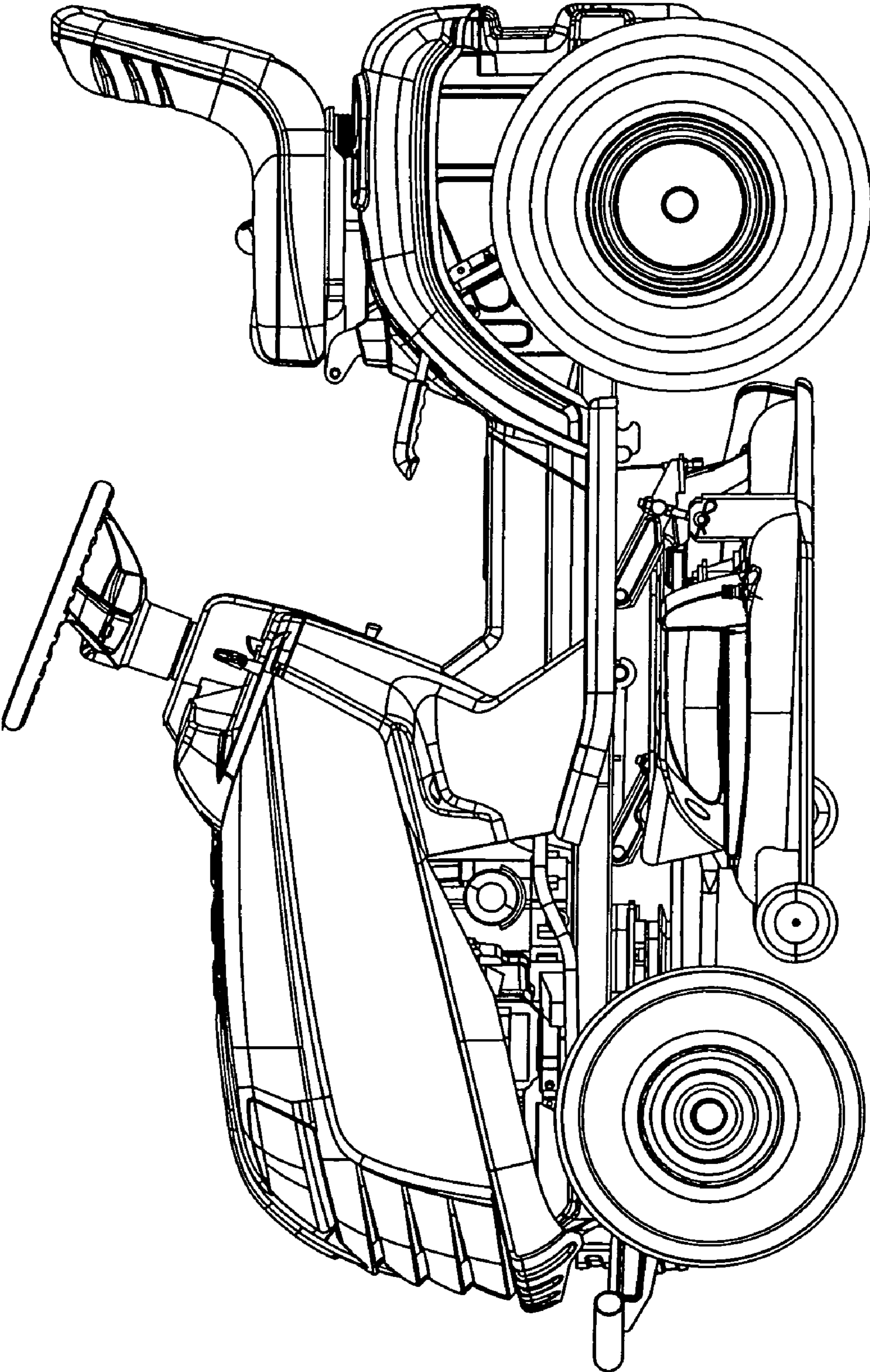


FIG. 4



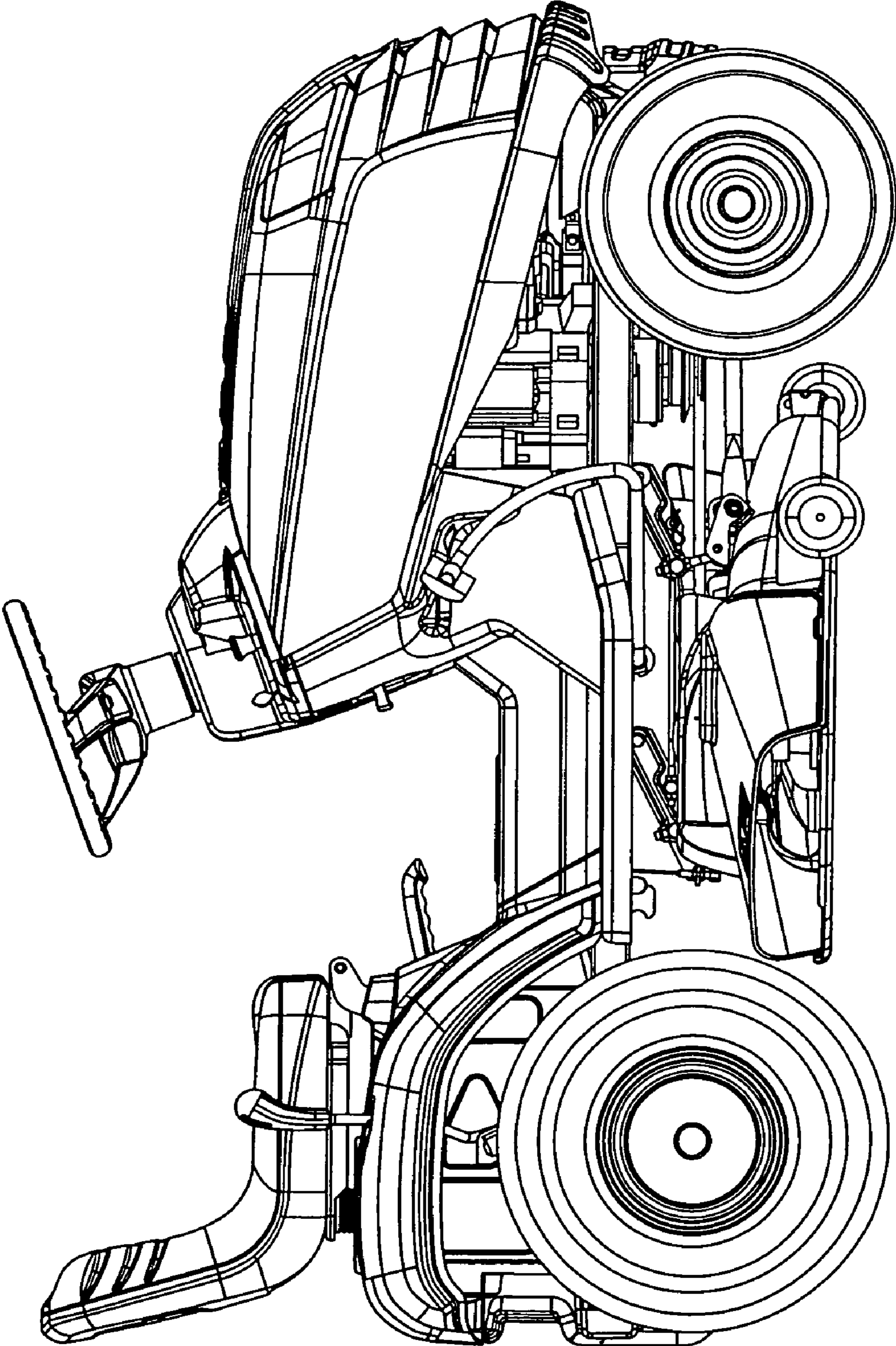


FIG.5

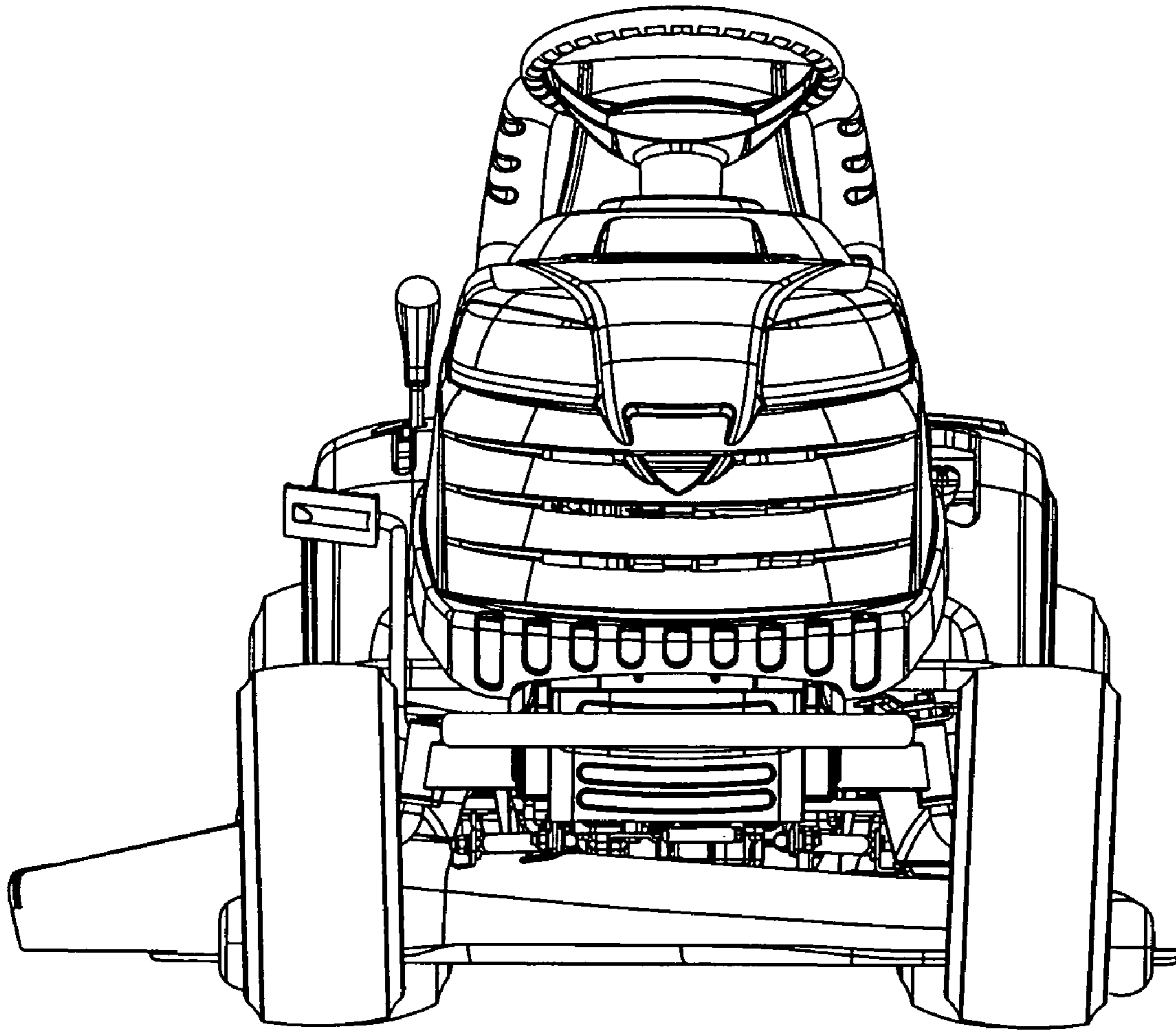


FIG.6

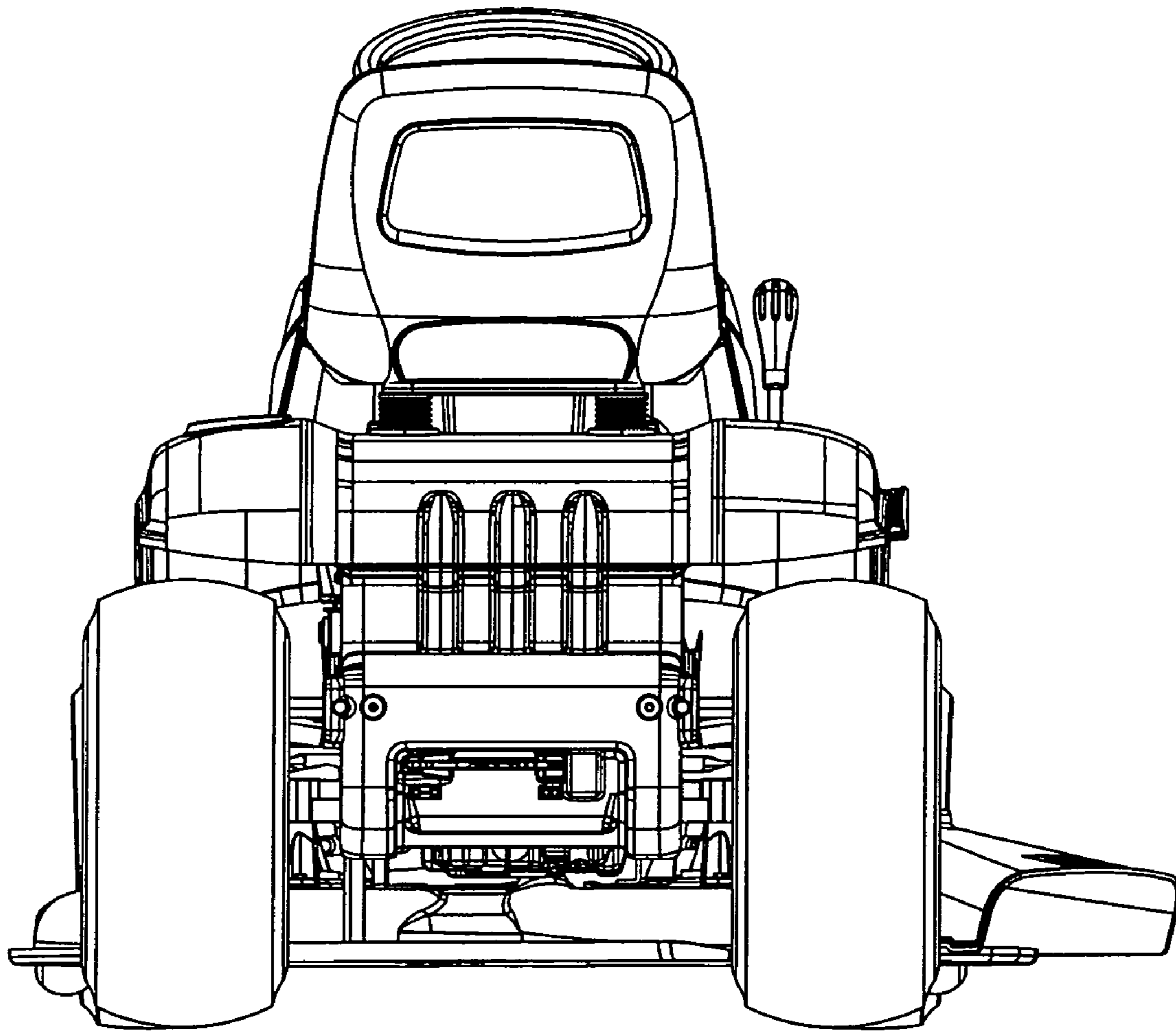


FIG. 7

UNITED STATES PATENT AND TRADEMARK OFFICE
CERTIFICATE OF CORRECTION

PATENT NO. : Des. 598,473 S
APPLICATION NO. : 29/309630
DATED : August 18, 2009
INVENTOR(S) : Simone Ferrari

Page 1 of 1

It is certified that error appears in the above-identified patent and that said Letters Patent is hereby corrected as shown below:

On the Title Page

In Section (73), Assignee, please change "Veneto (IT)" to --Castelfranco Veneto (IT)--.

Signed and Sealed this

Third Day of August, 2010

A handwritten signature in black ink that reads "David J. Kappos". The signature is written in a cursive, slightly slanted style.

David J. Kappos
Director of the United States Patent and Trademark Office