



US00D598472S

(12) **United States Design Patent**
Anderson et al.

(10) **Patent No.:** **US D598,472 S**

(45) **Date of Patent:** **** Aug. 18, 2009**

(54) **AIR PUMP HOUSING**

(75) Inventors: **Norman Anderson**, Brooklyn, NY (US);
Ryan Rutherford, Belleville, NJ (US);
Jonathan Willinger, Tenafly, NJ (US)

(73) Assignee: **J.W. Pet Company, Inc.**, Teterboro, NJ
(US)

(**) Term: **14 Years**

(21) Appl. No.: **29/325,808**

(22) Filed: **Oct. 7, 2008**

4,985,181 A	1/1991	Strada et al.
5,009,579 A	4/1991	Grant
5,025,185 A	6/1991	Reinoehl
5,039,286 A	8/1991	Point et al.
5,052,904 A	10/1991	Itakura
5,066,204 A	11/1991	Pointe et al.
5,131,821 A	7/1992	Marioni et al.
5,133,647 A	7/1992	Herron
5,137,432 A	8/1992	Tsai
5,137,433 A	8/1992	Willinger et al.
5,188,516 A	2/1993	Huang
5,282,727 A	2/1994	Willinger et al.
5,290,157 A	3/1994	Willinger et al.
5,294,335 A	3/1994	Chang

(Continued)

Related U.S. Application Data

(62) Division of application No. 29/283,129, filed on Aug. 7, 2007.

(51) **LOC (9) Cl.** **15-02**

(52) **U.S. Cl.** **D15/7**

(58) **Field of Classification Search** D11/1-2,
D11/26-29, 89-92; 63/26-28, 32

See application file for complete search history.

(56) **References Cited**

U.S. PATENT DOCUMENTS

3,645,358 A	2/1972	Kubota et al.	
3,750,840 A	8/1973	Holme	
3,785,493 A	1/1974	Harding	
3,785,494 A	1/1974	Sama	
4,008,854 A	2/1977	Van Der Lely	
4,014,052 A	3/1977	Wolos	
4,312,752 A	1/1982	Malik	
4,608,000 A	8/1986	Tominaga	
4,622,991 A	11/1986	Tunze	
4,627,797 A	12/1986	Rill	
4,722,670 A	2/1988	Zweifel	
4,735,715 A	4/1988	Willinger	
4,762,470 A	8/1988	Wang	
4,764,311 A	8/1988	Klaes	
4,773,765 A	9/1988	Erskine	
4,792,293 A	12/1988	Wang	
4,842,727 A	6/1989	Willinger	
D306,449 S *	3/1990	Shannon D15/8

FOREIGN PATENT DOCUMENTS

EP 686679 12/1995

(Continued)

Primary Examiner—R. Seifert

(74) *Attorney, Agent, or Firm*—Katten Muchin Rosenman
LLP

(57) **CLAIM**

The ornamental design for an air pump housing, as shown and described.

DESCRIPTION

FIG. 1 is a perspective view of an embodiment of an air pump housing,

FIG. 2 is a front view thereof,

FIG. 3 is a rear view thereof,

FIG. 4 is a left-side view thereof,

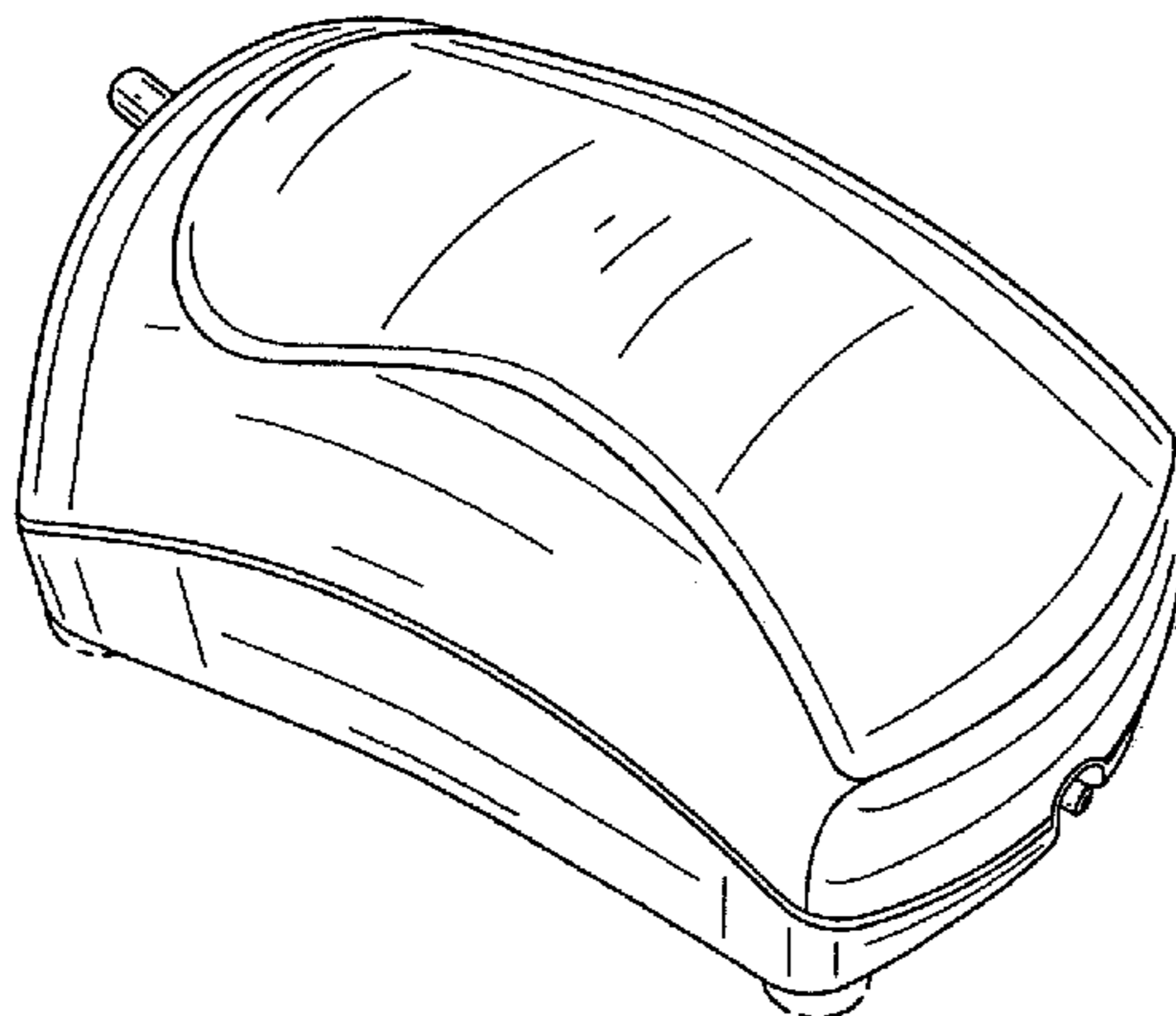
FIG. 5 is a right-side view thereof,

FIG. 6 is a top view thereof; and,

FIG. 7 is a bottom view thereof.

The broken lines are for purposes of illustration only and do not form a part of the claimed design.

1 Claim, 6 Drawing Sheets



US D598,472 S

U.S. PATENT DOCUMENTS

5,360,323	A	11/1994	Hsieh	
5,367,985	A	11/1994	Wilkins	
5,380,160	A	1/1995	Chen	
5,462,415	A	10/1995	Chen	
5,480,590	A	1/1996	Neshat et al.	
5,494,415	A	2/1996	Morita	
5,554,012	A	9/1996	Itakura	
5,563,382	A	10/1996	Choyce	
5,641,399	A	6/1997	Rawlins	
5,711,656	A	1/1998	Tsai	
5,714,814	A	2/1998	Marioni	
5,716,199	A	2/1998	Shan-Chieh	
5,728,293	A	3/1998	Guoli	
5,730,587	A	3/1998	Snyder et al.	
5,733,106	A	3/1998	Lee	
5,750,023	A	5/1998	Pettenon	
D395,318	S *	6/1998	Wang	D15/8
D400,891	S *	11/1998	Mermillod	D15/8
5,957,085	A	9/1999	Youngstrom et al.	
5,970,999	A	10/1999	Greenia	
D426,243	S *	6/2000	Wang	D15/8
D426,554	S	6/2000	Wang	
6,132,180	A	10/2000	Kojima	
6,164,932	A	12/2000	Tominaga et al.	
D436,361	S *	1/2001	Yu-Chin	D15/8
6,168,392	B1	1/2001	Takano	
6,187,179	B1	2/2001	Mayer	
6,257,842	B1	7/2001	Kawasaki et al.	
6,312,411	B1	11/2001	Kanai	
6,340,069	B1	1/2002	Wang	
D455,155	S	4/2002	Wang	

6,364,637	B1	4/2002	Lee et al.
6,461,122	B1	10/2002	Huang
6,485,270	B2	11/2002	Wang
6,508,635	B2	1/2003	Kueon
6,547,535	B2	4/2003	Kueon
6,551,078	B2	4/2003	Huang
6,551,171	B1	4/2003	Hass
6,558,137	B2	5/2003	Tomell
6,565,330	B1	5/2003	Bresolin
6,568,425	B2	5/2003	Gergek
6,626,648	B1	9/2003	Kim
6,692,225	B2	2/2004	Lin
6,692,238	B2	2/2004	Myung
6,719,525	B2	4/2004	Chen
6,746,219	B1	6/2004	Chen
6,796,776	B2	9/2004	Jolley
6,857,392	B1	2/2005	Shyu
6,942,469	B2	9/2005	Seale
2004/0062665	A1	4/2004	McGee
2004/0191084	A1	9/2004	Wang et al.
2005/0076851	A1	4/2005	Allis
2005/0238520	A1	10/2005	Gilliam
2006/0094335	A1	5/2006	Fildan

FOREIGN PATENT DOCUMENTS

EP	708247	4/1996
EP	1304480	4/2003
WO	WO 1993/14628	8/1993
WO	WO 2001010202	2/2001
WO	WO 2005088126	9/2005

* cited by examiner

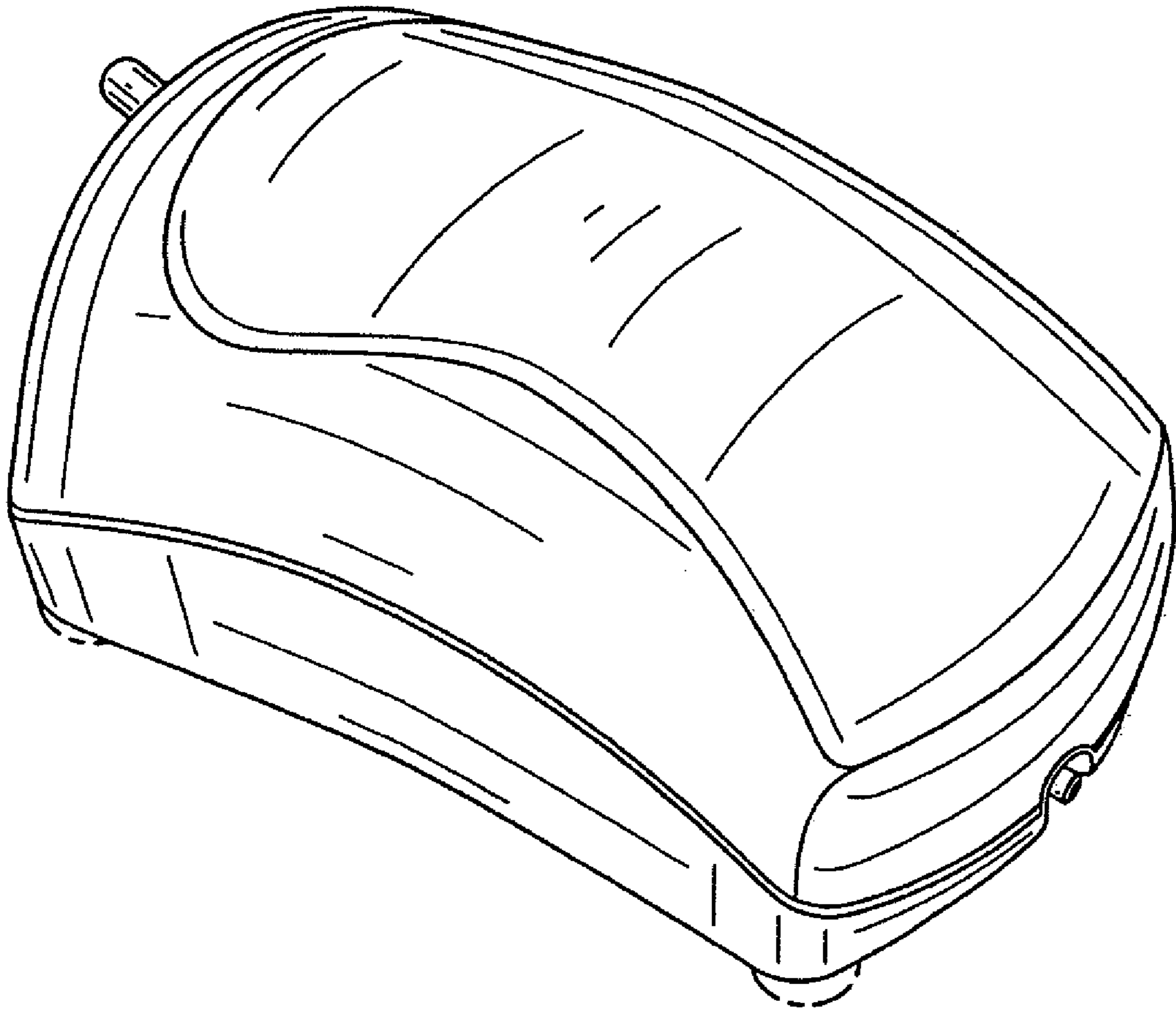


FIG. 1

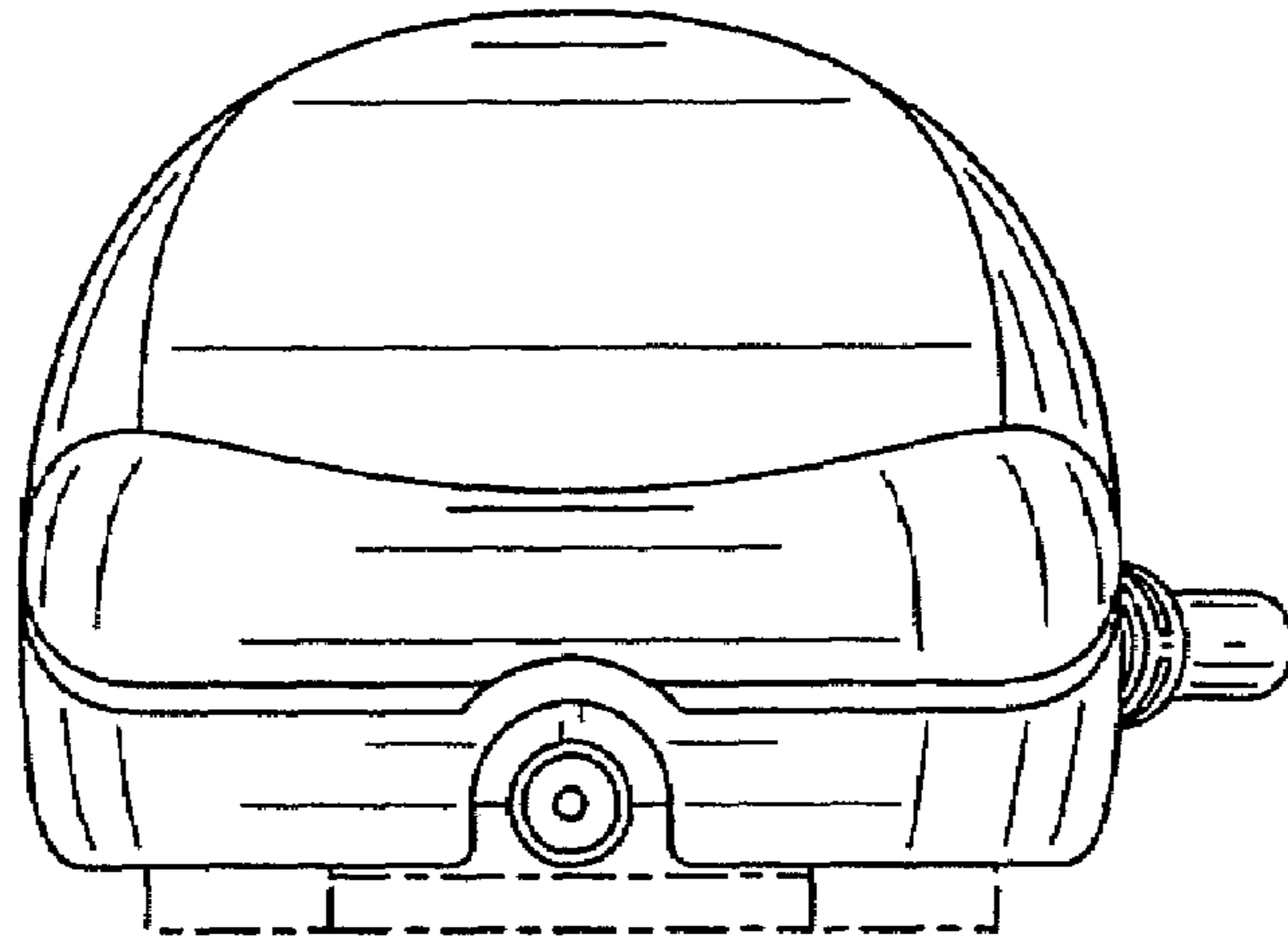


FIG. 2

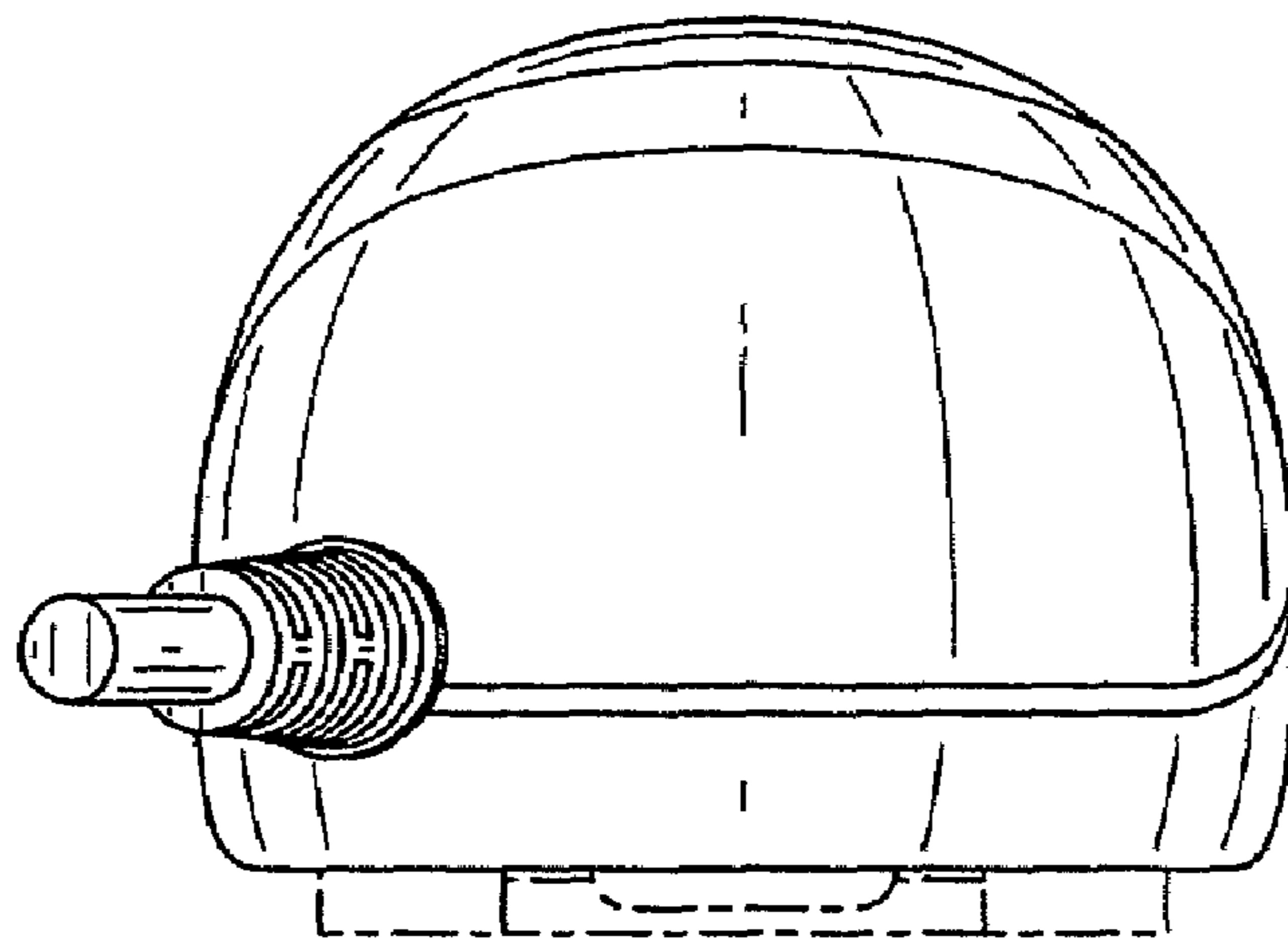


FIG. 3

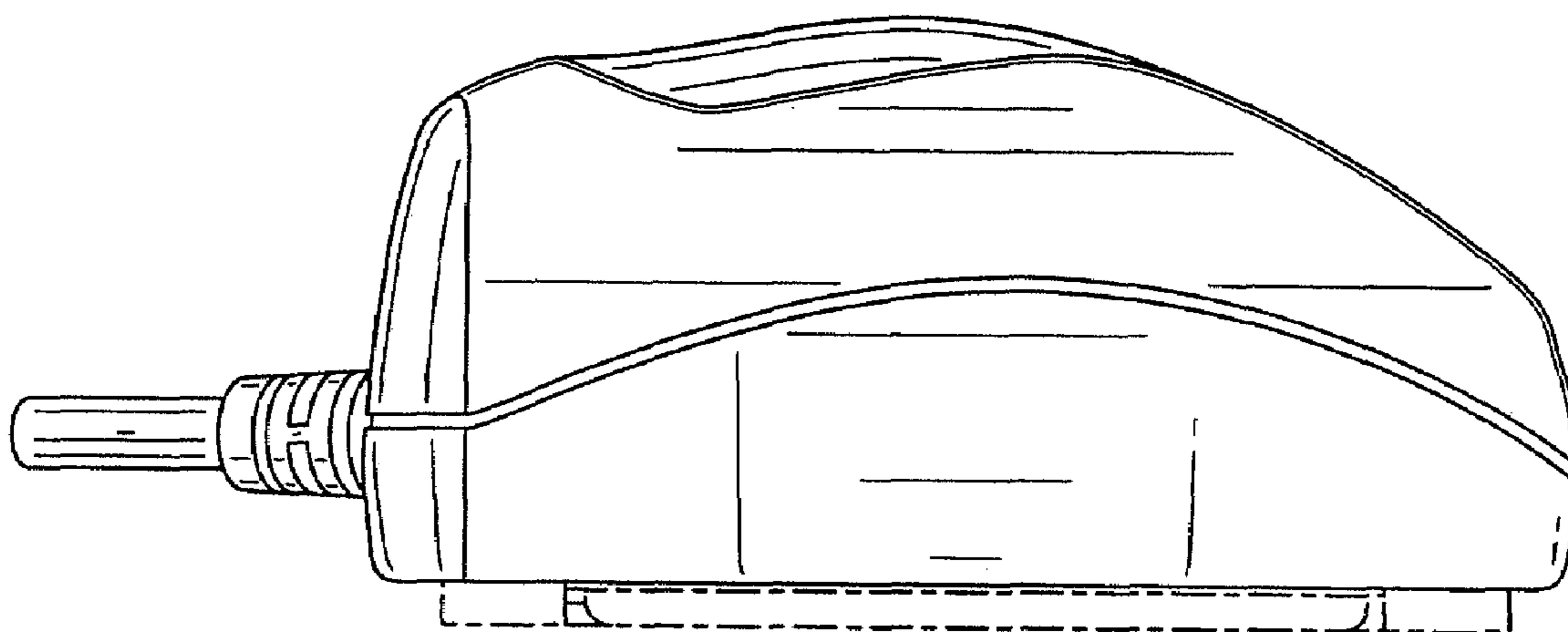


FIG. 4

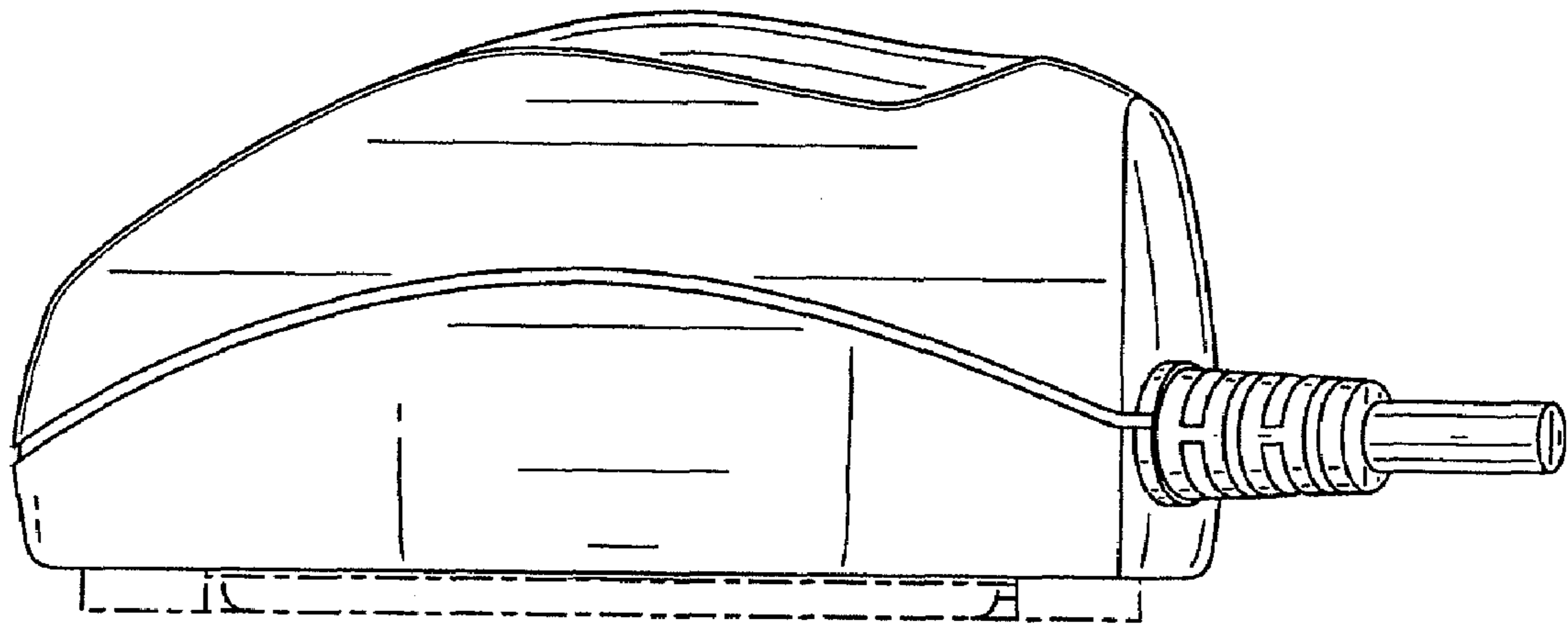


FIG. 5

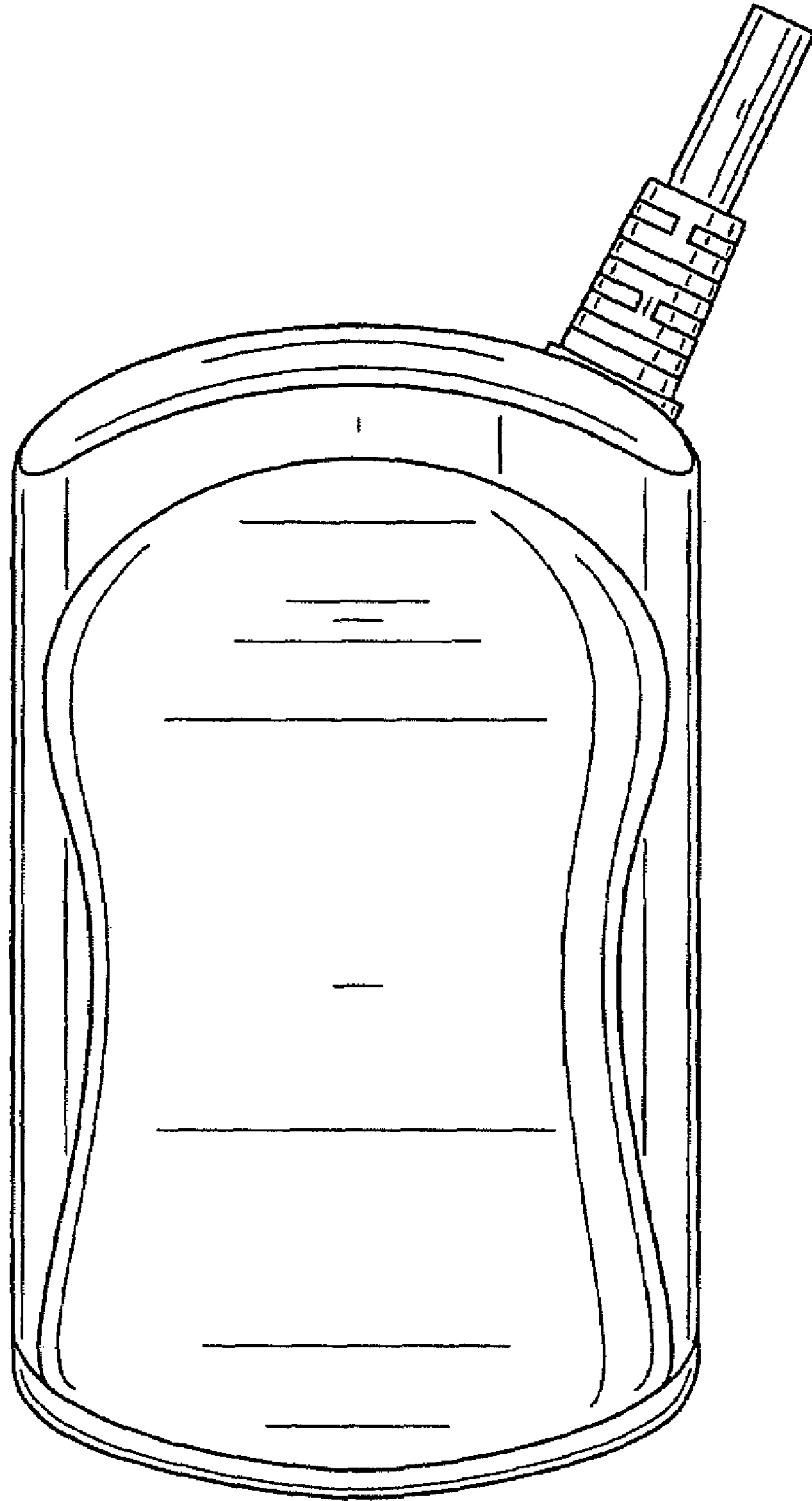


FIG. 6

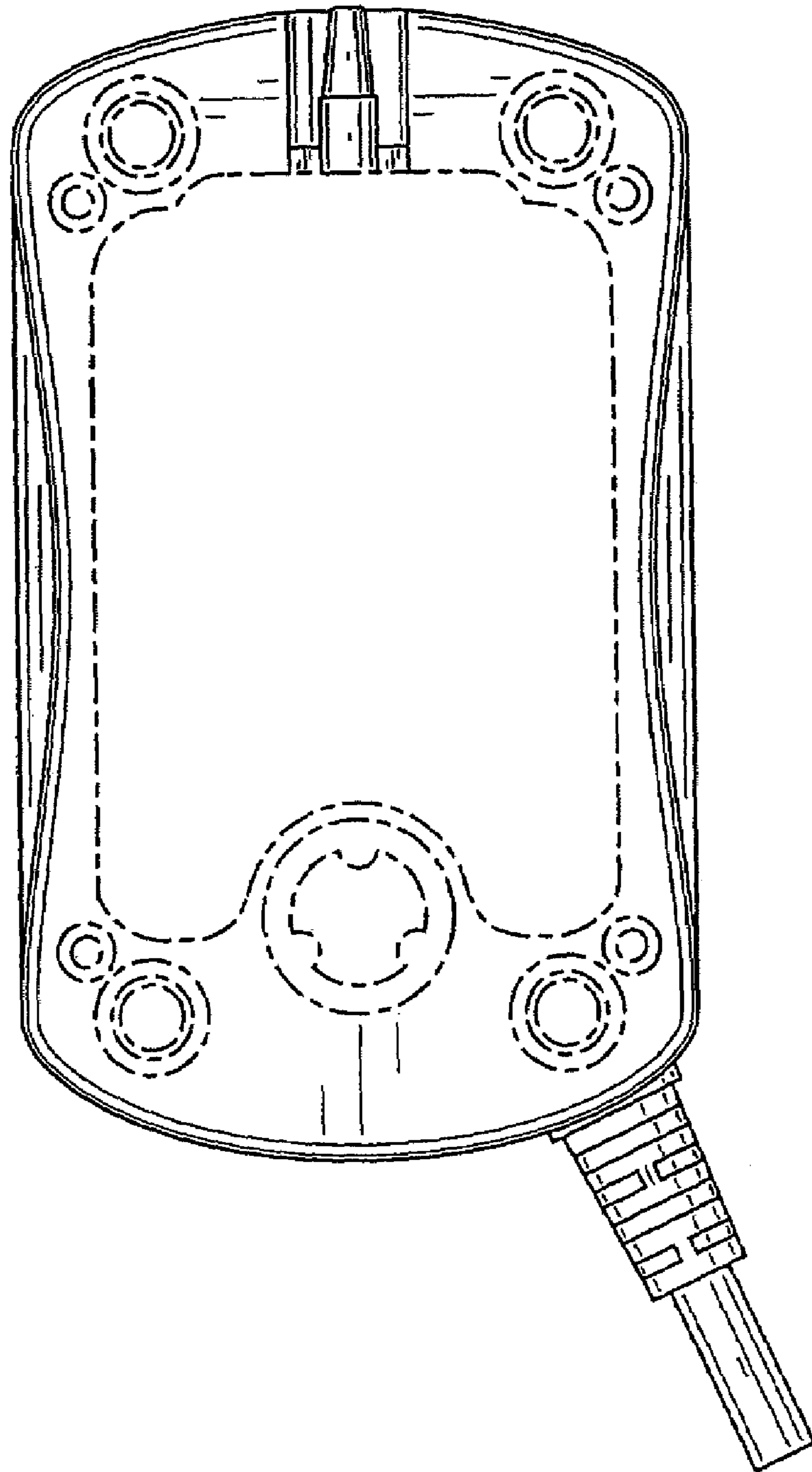


FIG. 7