



US00D598471S

(12) **United States Design Patent**  
**Wang et al.**

(10) **Patent No.:** **US D598,471 S**  
(45) **Date of Patent:** **\*\* Aug. 18, 2009**

(54) **ENGINE COVER**

(75) Inventors: **Hushan Wang**, Chongqing (CN);  
**Hongbo Chen**, Chongqing (CN); **Bing Liu**, Chongqing (CN); **Wei Peng**, Chongqing (CN); **Yuming Xie**, Chongqing (CN)

(73) Assignee: **Loncin Industry Co., Ltd.**, Jiulongpo District, Chongqing (CN)

(\*\*) Term: **14 Years**

(21) Appl. No.: **29/323,306**

(22) Filed: **Aug. 22, 2008**

(30) **Foreign Application Priority Data**

Feb. 27, 2008 (CN) ..... 2008 3 0300124

(51) **LOC (9) Cl.** ..... **15-01**

(52) **U.S. Cl.** ..... **D15/1**

(58) **Field of Classification Search** ..... D15/1-5, D15/149; D12/163-166; D34/15; D13/112, D13/184, 199; 46/39, 78, 249; 56/320.1-320.2; 74/606 R; 123/41, 41.7, 50 A, 50 B, 50 R, 123/56, 65 R, 70 R, 156 BA, 195.3, 198 E, 123/198 R, 306, 308, 661, 667

See application file for complete search history.

(56) **References Cited**

**U.S. PATENT DOCUMENTS**

D471,207 S \* 3/2003 Kern et al. .... D15/5

D525,991 S \* 8/2006 Walters ..... D15/5  
D527,022 S \* 8/2006 Walters ..... D15/5  
D527,741 S \* 9/2006 Vervoorn ..... D15/5  
D534,923 S \* 1/2007 Glass ..... D15/5  
D541,300 S \* 4/2007 Geisheker et al. .... D15/5  
D549,241 S \* 8/2007 Giddens ..... D15/5  
D572,271 S \* 7/2008 Maeda ..... D15/1

\* cited by examiner

*Primary Examiner*—Ian Simmons

*Assistant Examiner*—Wan Laymon

(74) *Attorney, Agent, or Firm*—Nixon Peabody LLP; David L. May; Marc W. Butler

(57) **CLAIM**

The ornamental design for an engine cover, as shown and described.

**DESCRIPTION**

FIG. 1 is a perspective view of an engine cover showing our design;

FIG. 2 is a front elevational view thereof.

FIG. 3 is a rear elevational view thereof.

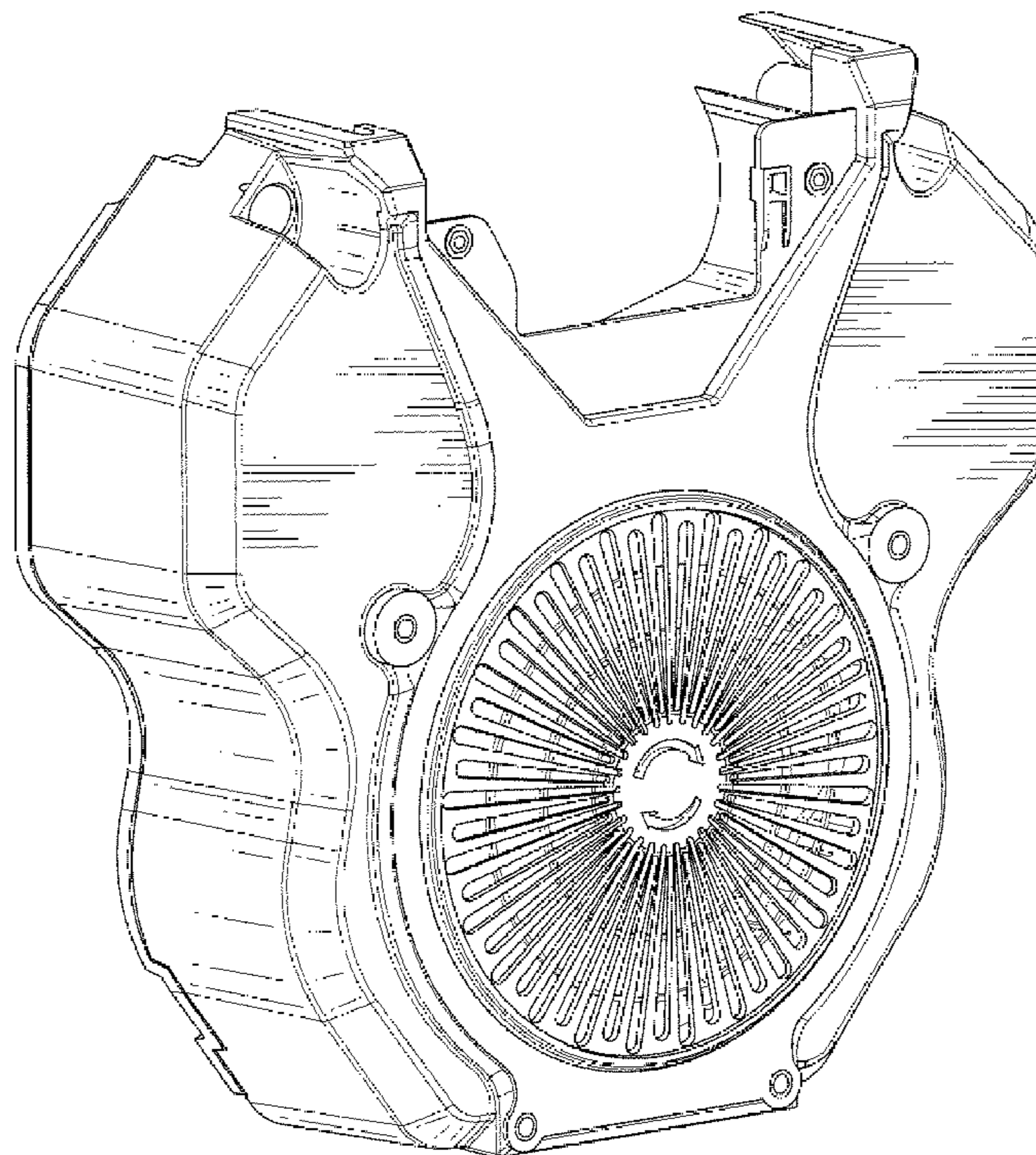
FIG. 4 is a left side view thereof.

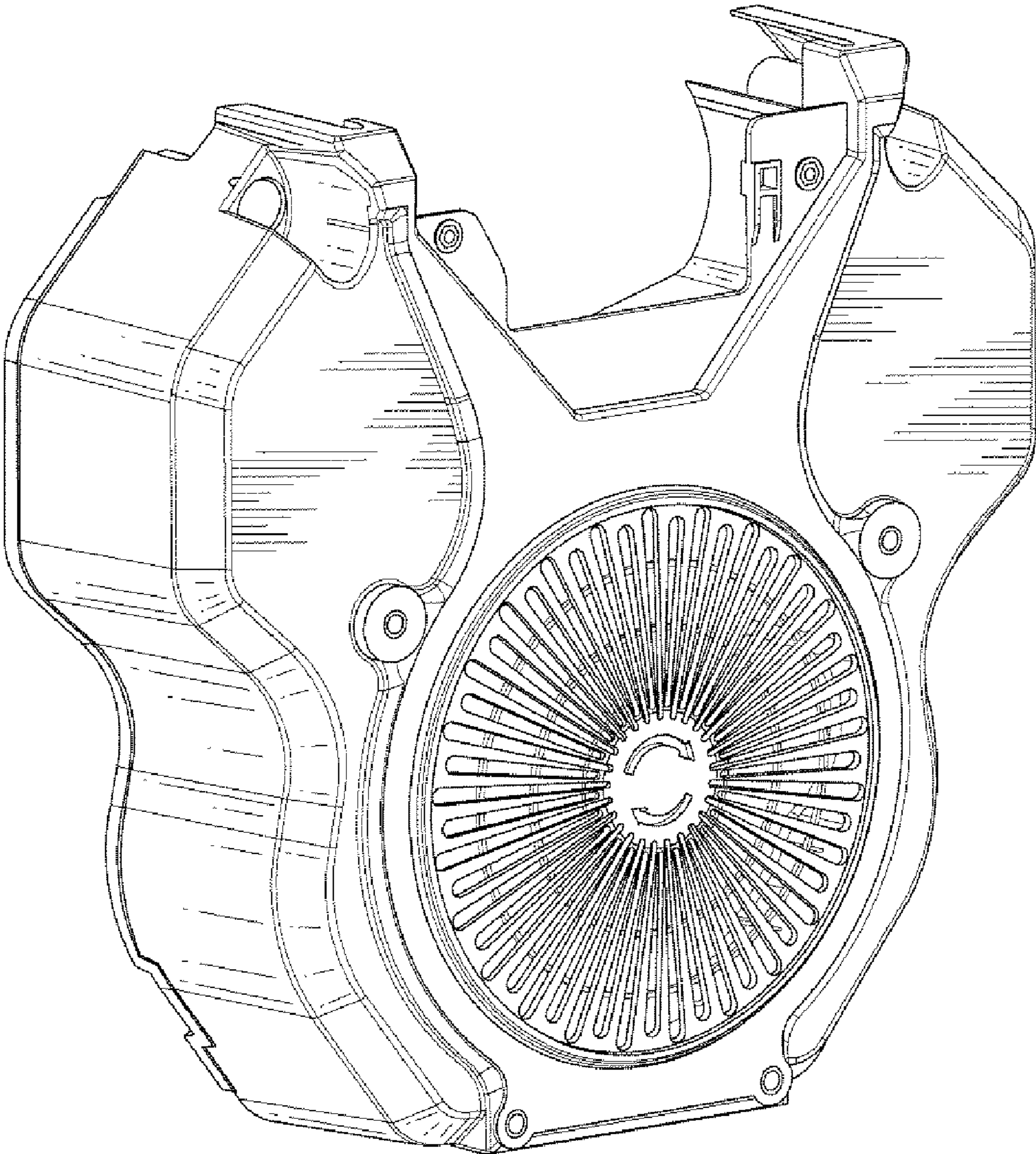
FIG. 5 is a right side view thereof.

FIG. 6 is a top plan view thereof; and,

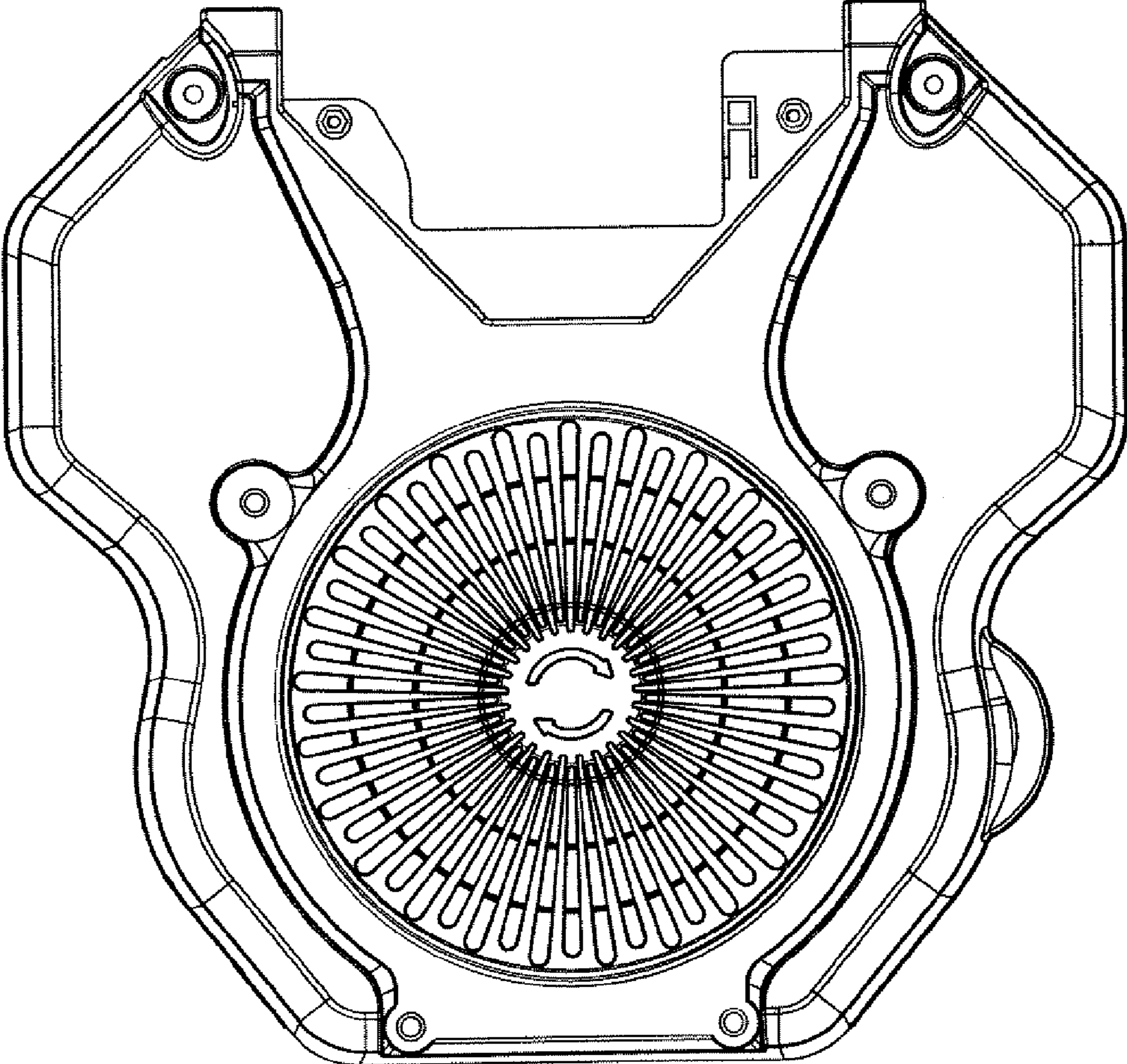
FIG. 7 is a bottom plan view thereof.

**1 Claim, 6 Drawing Sheets**

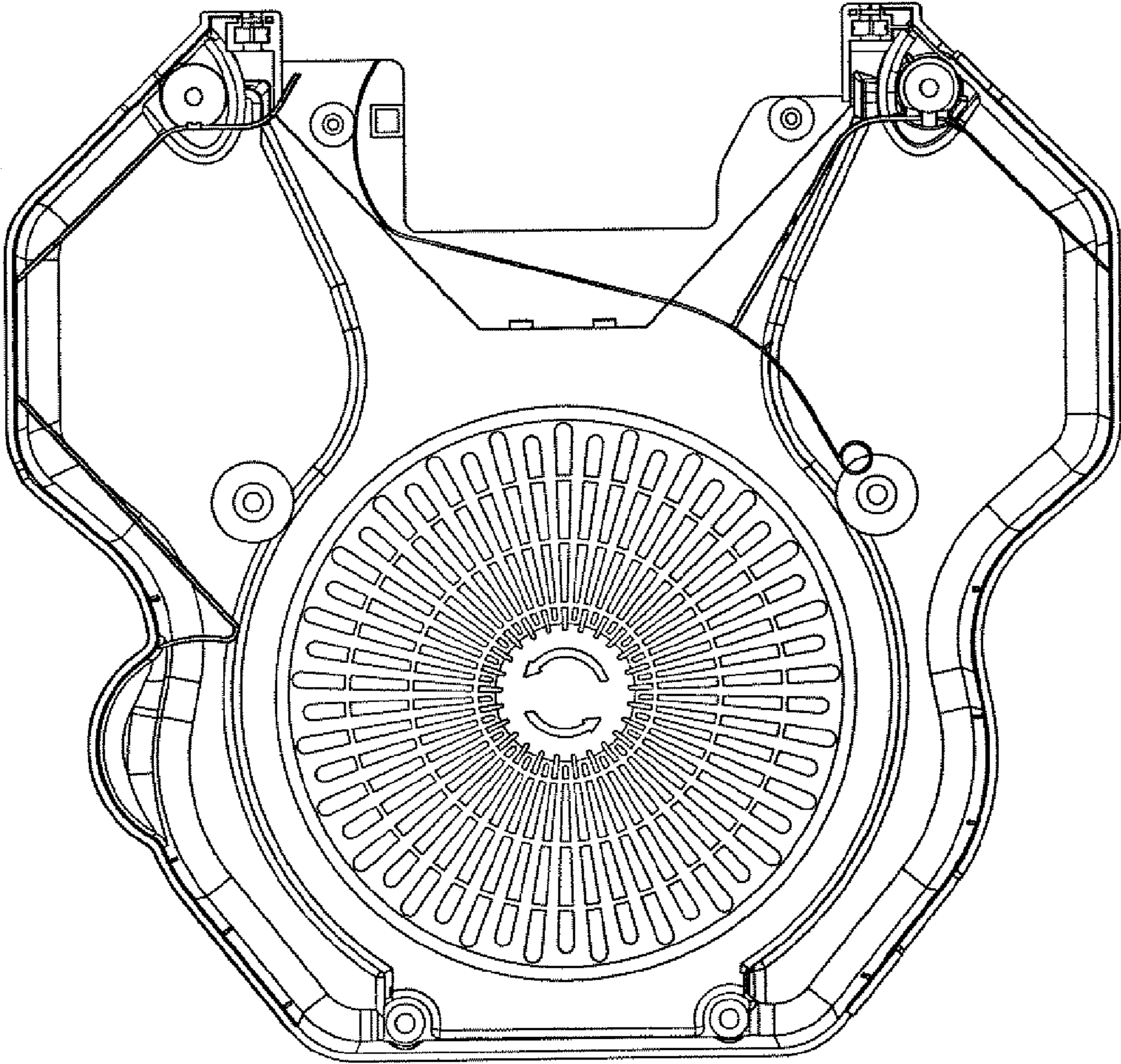




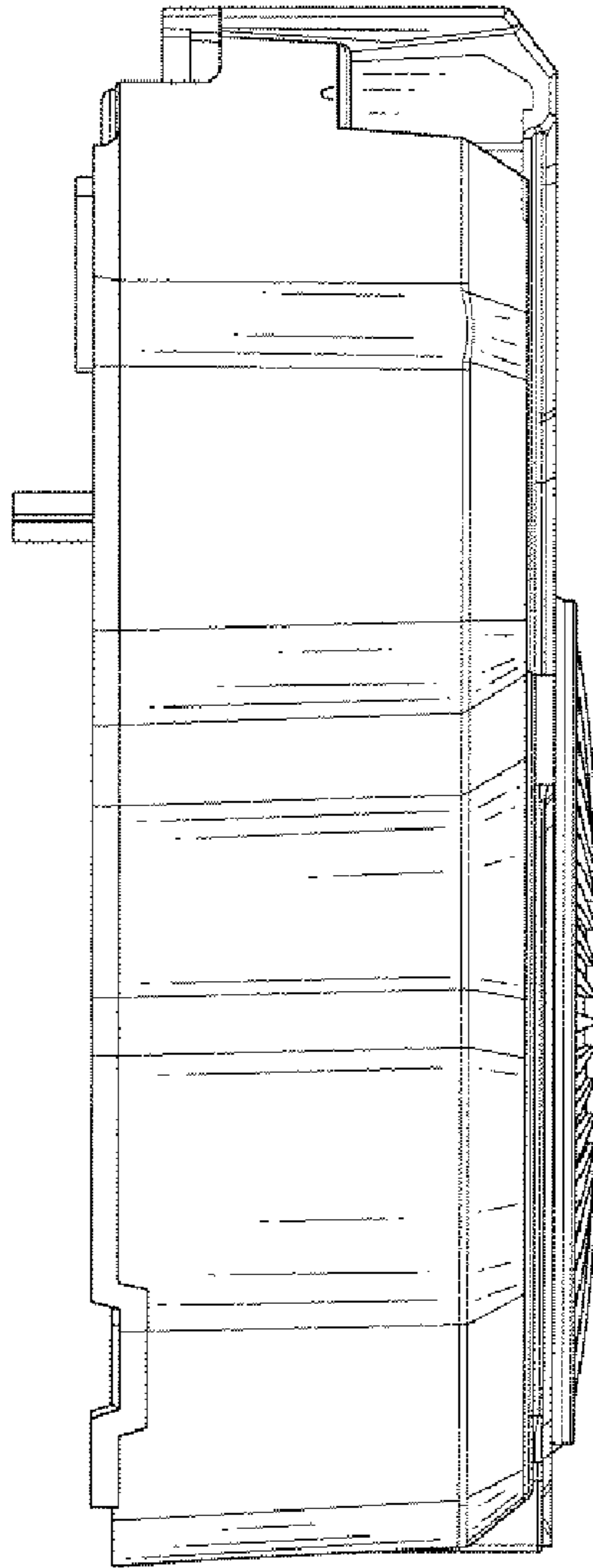
**FIG. 1**



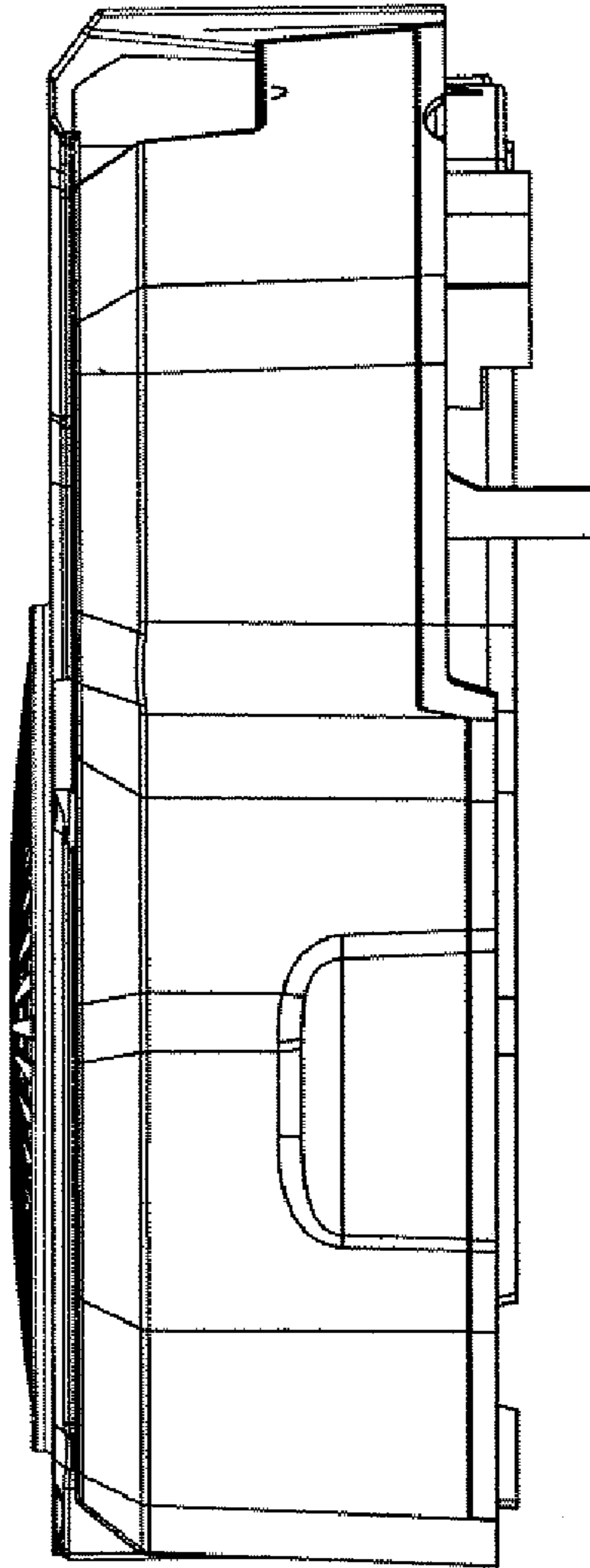
**FIG. 2**



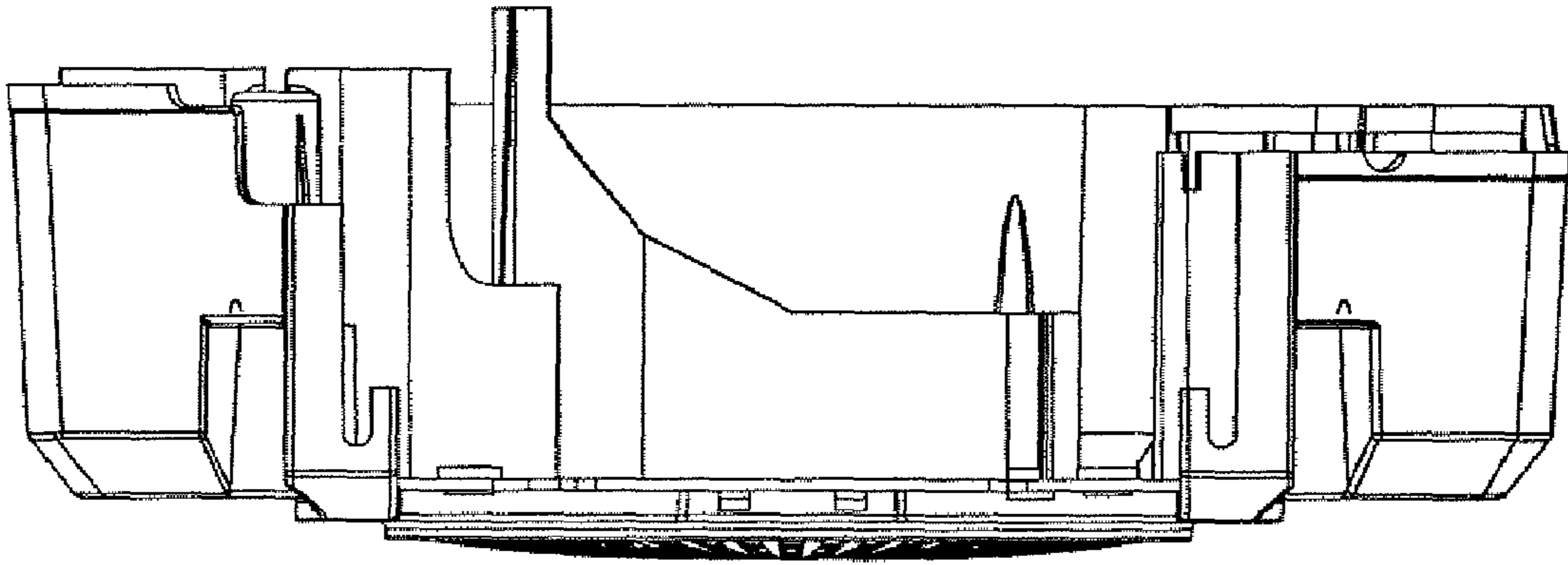
**FIG. 3**



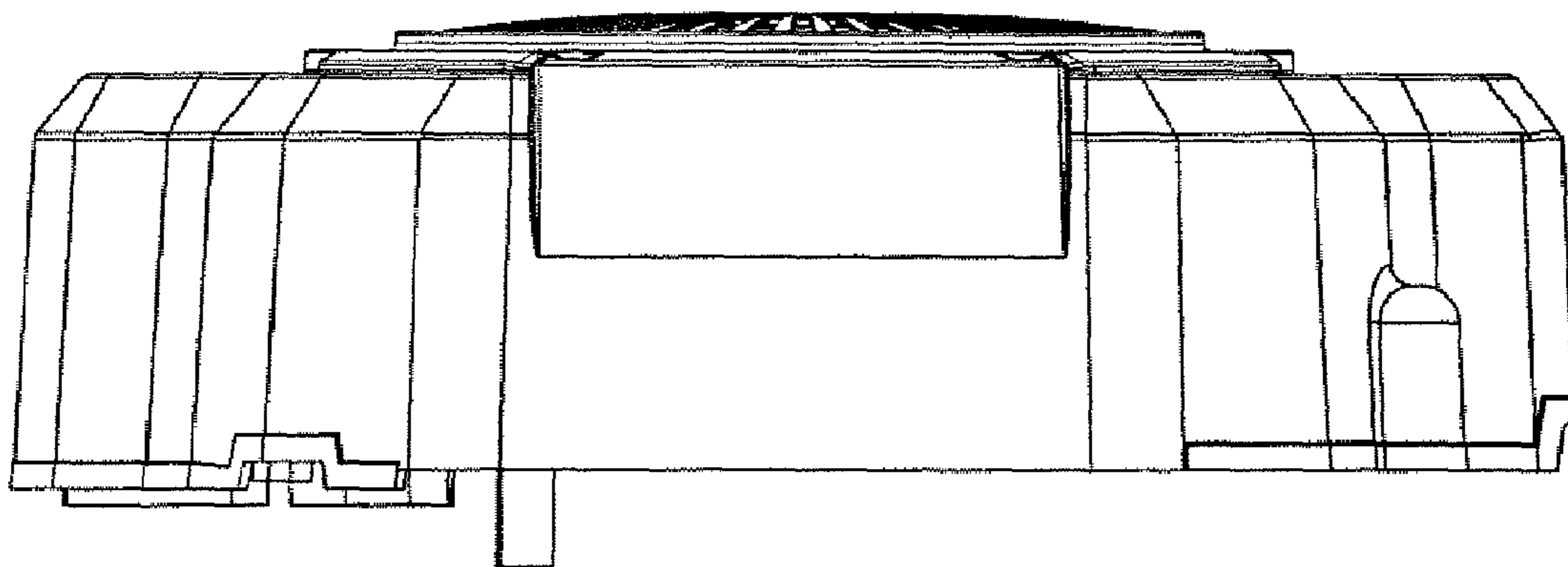
**FIG. 4**



**FIG. 5**



**FIG. 6**



**FIG. 7**

UNITED STATES PATENT AND TRADEMARK OFFICE  
**CERTIFICATE OF CORRECTION**

PATENT NO. : Des. 598,471 S  
APPLICATION NO. : 29/323306  
DATED : August 18, 2009  
INVENTOR(S) : Hushan Wang et al.

Page 1 of 1

It is certified that error appears in the above-identified patent and that said Letters Patent is hereby corrected as shown below:

**On the Title Page**

Item (75) Inventor, "Hongbo Chen, Chongping (CN); Bing" should read "Hongbo Chen, Chongqing (CN), Bing."

Signed and Sealed this

Twelfth Day of January, 2010

A handwritten signature in black ink that reads "David J. Kappos". The signature is written in a cursive, flowing style.

David J. Kappos  
*Director of the United States Patent and Trademark Office*