



US00D598469S

(12) **United States Design Patent**  
**Harris, Jr.**

(10) **Patent No.:** **US D598,469 S**

(45) **Date of Patent:** **\*\* Aug. 18, 2009**

(54) **COMBINATION MP3 PLAYER/EAR PIECE**

(76) **Inventor:** **Leon Harris, Jr.**, 1635 Dogwood Dr.,  
Chattanooga, TN (US) 37406

(\*\*) **Term:** **14 Years**

(21) **Appl. No.:** **29/320,215**

(22) **Filed:** **Jun. 23, 2008**

(51) **LOC (9) Cl.** ..... **14-03**

(52) **U.S. Cl.** ..... **D14/496; D14/203.1**

(58) **Field of Classification Search** ..... D14/496,  
D14/401, 435, 474, 483, 217, 137, 138, 160,  
D14/168, 356, 203.1–203.8, 507, 147; 345/156,  
345/169, 173–179, 905; 715/727–729, 864;  
710/1, 5, 8; 713/1, 600; 455/1.1, 1.7, 73,  
455/344–347, 93, 95, 3.01–3.06, 550.1, 573.1;  
370/342–344; 369/1, 2, 6–12; 463/43–47;  
273/148 B; 381/312, 322, 370, 374  
See application file for complete search history.

(56) **References Cited**

**U.S. PATENT DOCUMENTS**

D439,574 S \* 3/2001 Katayama ..... D14/203.5  
D528,531 S \* 9/2006 Rose et al. .... D14/138 R  
D546,866 S \* 7/2007 Yang ..... D16/309  
7,251,335 B1 \* 7/2007 Chen ..... 381/71.6  
D557,685 S \* 12/2007 Lee ..... D14/205  
7,356,362 B2 \* 4/2008 Chang et al. .... 455/575.2

7,394,910 B2 \* 7/2008 Smith et al. .... 381/322  
7,424,125 B2 \* 9/2008 Amae et al. .... 381/374  
7,436,973 B2 \* 10/2008 Liao ..... 381/370  
7,461,935 B2 \* 12/2008 Collier et al. .... 351/47  
7,512,414 B2 \* 3/2009 Jannard et al. .... 455/556.1  
7,512,448 B2 \* 3/2009 Malick et al. .... 607/136

\* cited by examiner

*Primary Examiner*—Prabhakar Deshmukh

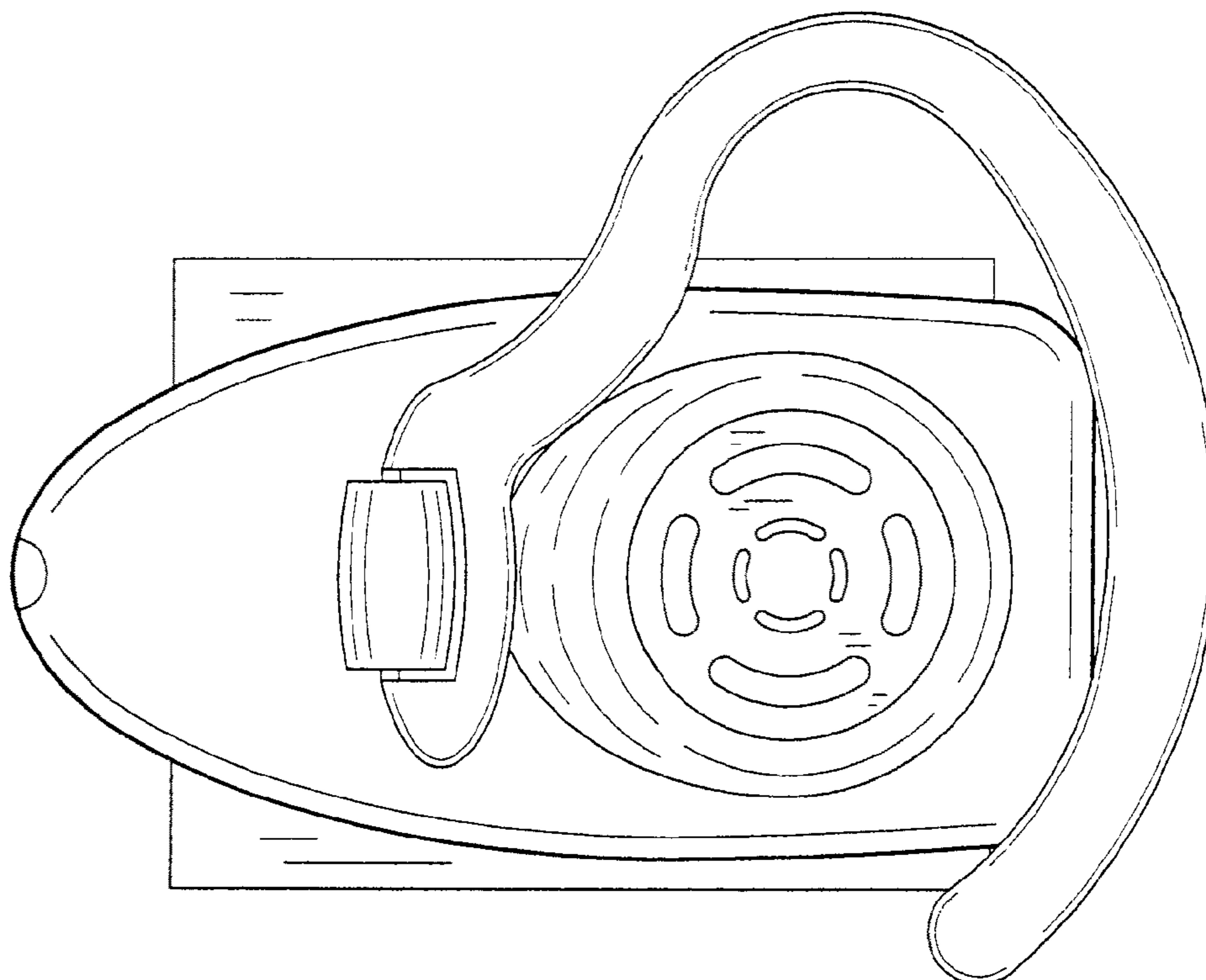
(57) **CLAIM**

I claim, the ornamental design for the combination MP3  
player/ear piece, as shown and described.

**DESCRIPTION**

FIG. 1 is a front elevational view of the combination MP3  
player/ear piece showing my new design;  
FIG. 2 is a rear elevational view of the combination MP3  
player/ear piece thereof;  
FIG. 3 is a left-side elevational view of the combination MP3  
player/ear piece thereof;  
FIG. 4 is right side elevational view of the combination MP3  
player/ear piece thereof;  
FIG. 5 is a top plan view of the combination MP3 player/ear  
piece thereof; and,  
FIG. 6 is a bottom plan view of the combination MP3 player/  
ear piece thereof.

**1 Claim, 2 Drawing Sheets**



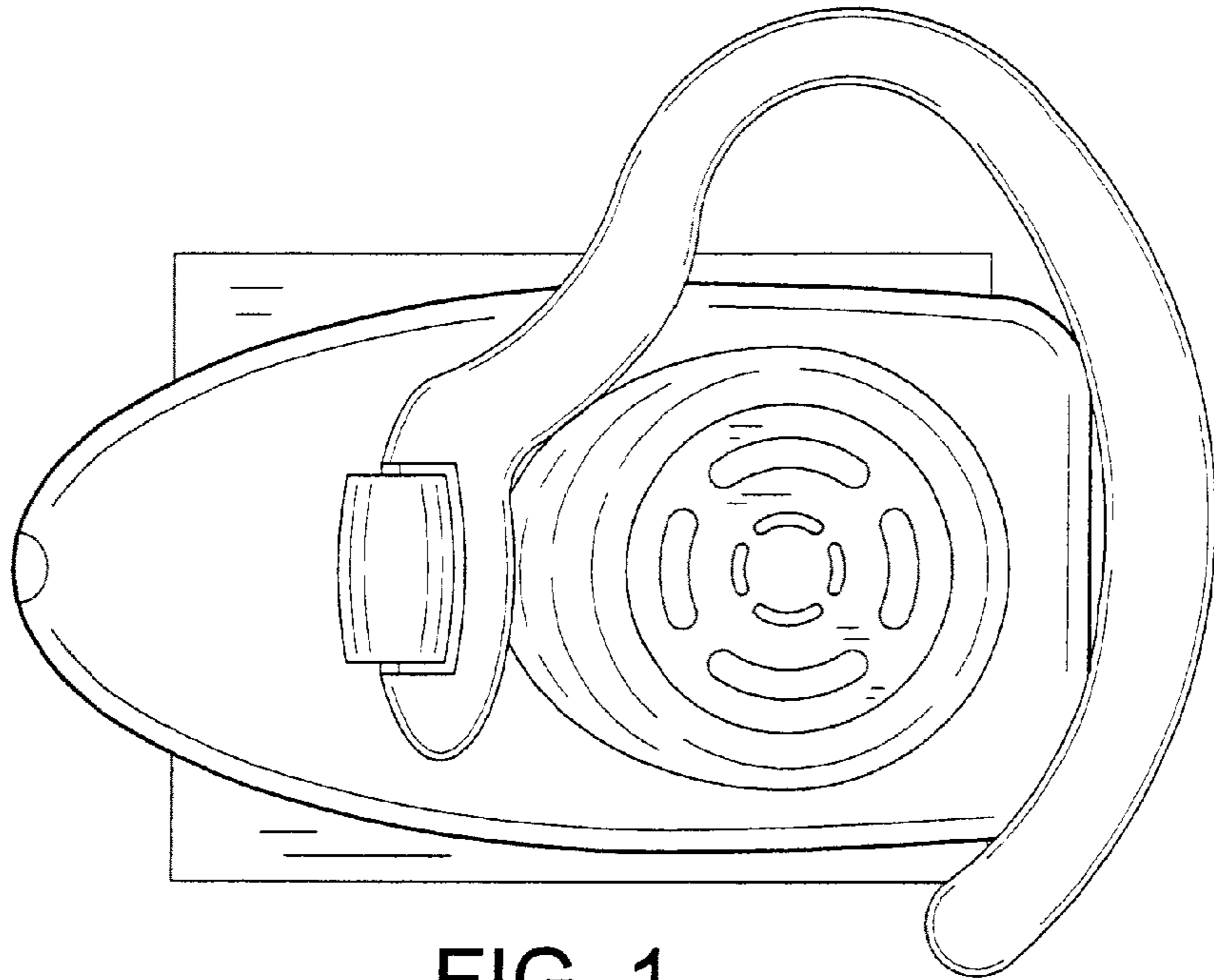


FIG. 1

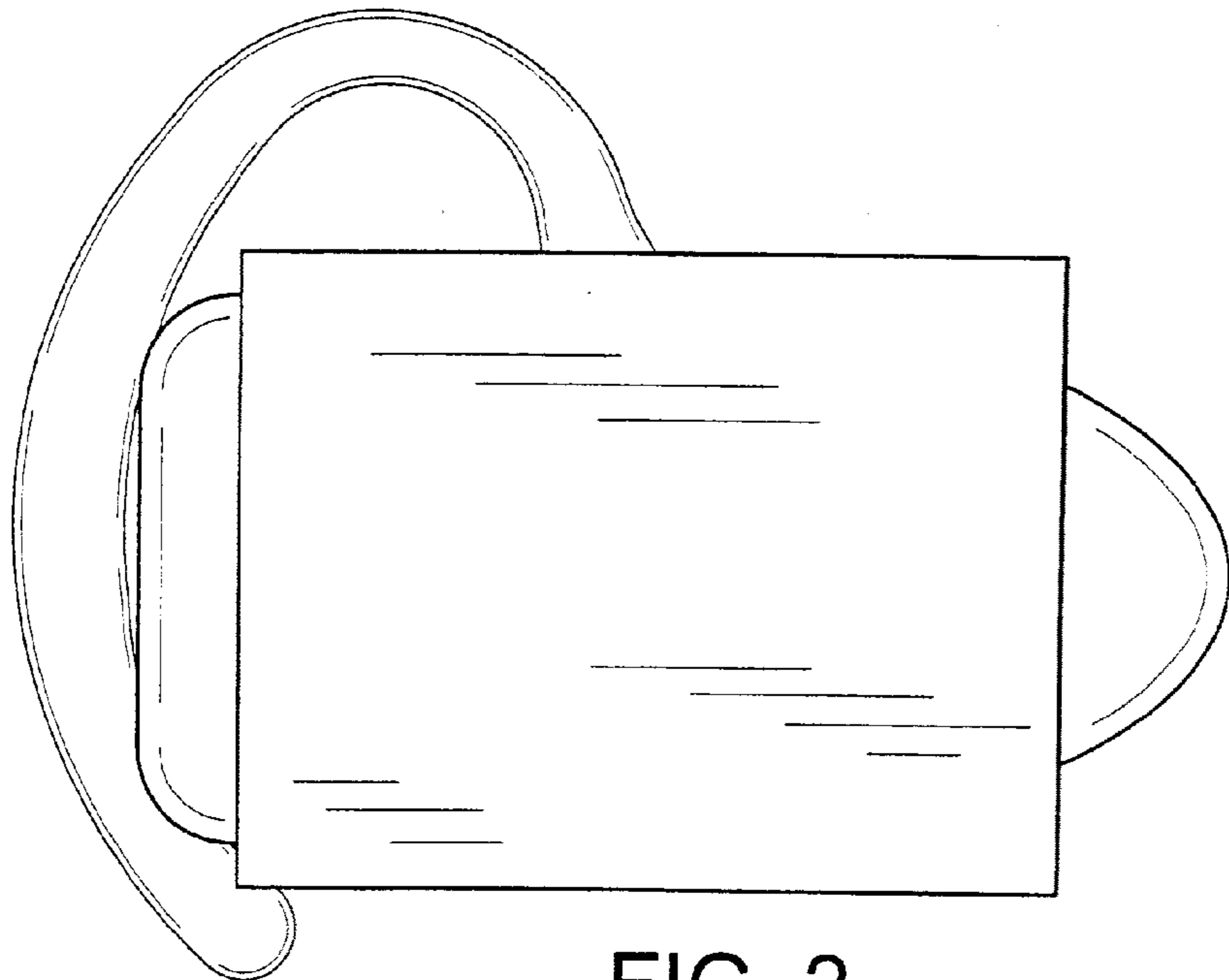


FIG. 2

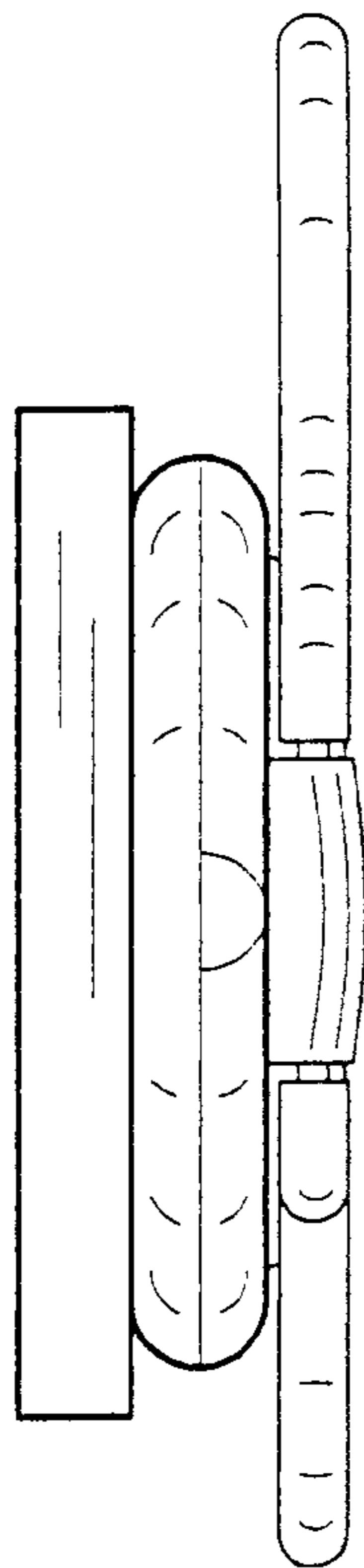


FIG. 3

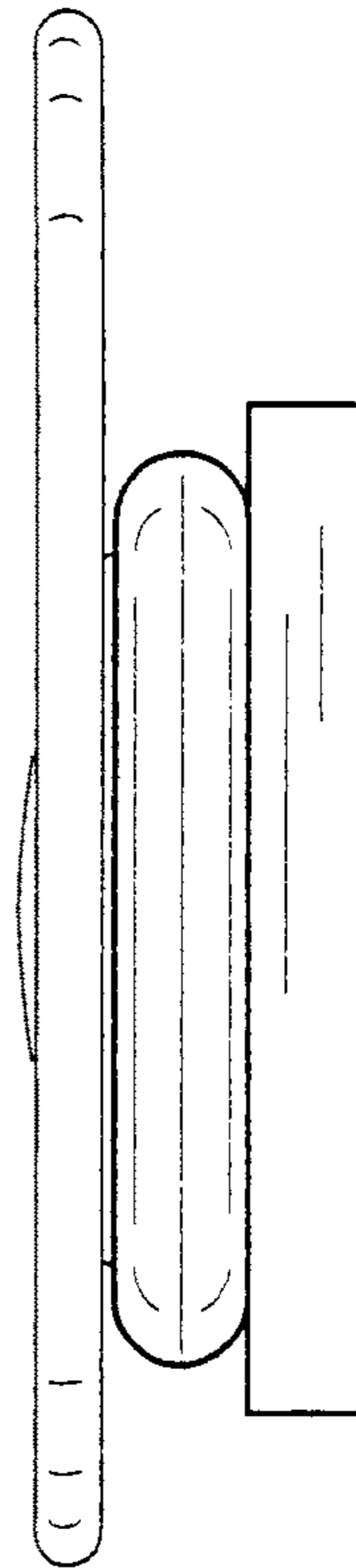


FIG. 4

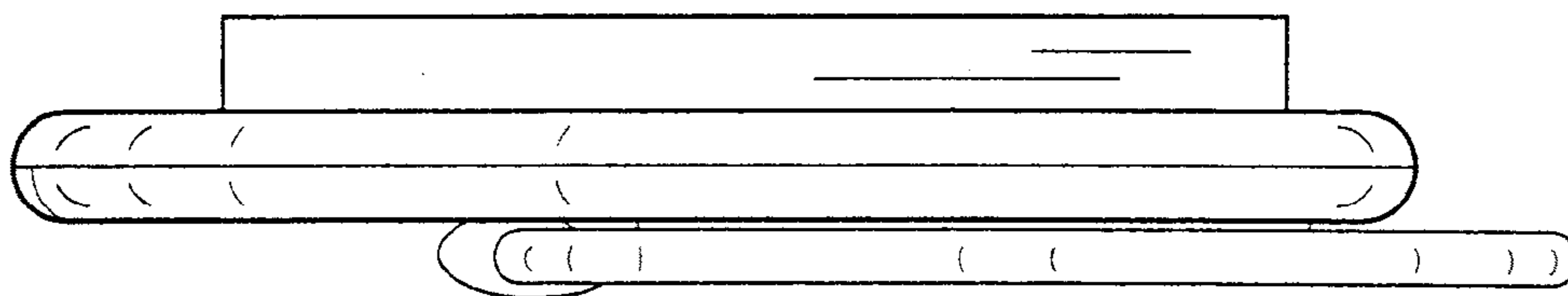


FIG. 5

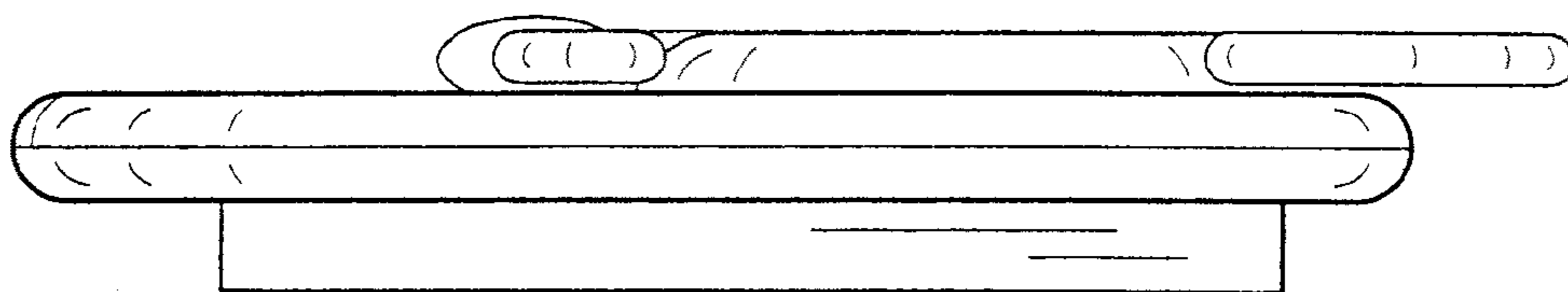


FIG. 6