



US00D598466S

(12) **United States Design Patent**
Hirsch et al.

(10) **Patent No.:** **US D598,466 S**
(45) **Date of Patent:** **** Aug. 18, 2009**

- (54) **ANIMATED IMAGE FOR A PORTION OF A DISPLAY SCREEN**
- (75) Inventors: **Evan Marc Hirsch**, Seattle, WA (US); **Noah Henry Kaarbo**, Seattle, WA (US); **Sarah Graham Williams**, Seattle, WA (US); **Martin Andrew Kline**, Studio City, CA (US); **Christopher Chad Syme**, Seattle, WA (US)
- (73) Assignee: **Microsoft Corporation**, Redmond, WA (US)
- (**) Term: **14 Years**
- (21) Appl. No.: **29/328,644**
- (22) Filed: **Nov. 26, 2008**
- (51) **LOC (9) Cl.** **32-00**
- (52) **U.S. Cl.** **D14/485**
- (58) **Field of Classification Search** D14/485–495; D18/26, 31–33; D20/11–12, 23–25, 29–32, D20/36–38; 715/700–867, 973–977
See application file for complete search history.

(56) **References Cited**

U.S. PATENT DOCUMENTS

D34,205 S *	3/1901	Yale	D20/30
D47,864 S *	9/1915	Shaw	D20/23
D134,261 S *	11/1942	Teague	D20/25
D170,617 S *	10/1953	Abrahams et al.	D20/29
D397,332 S *	8/1998	Ryan	D14/487
D398,001 S *	9/1998	Bohnert et al.	D14/493
D398,299 S *	9/1998	Ballay et al.	D14/488
D402,284 S *	12/1998	Coleman	D14/487
D404,727 S *	1/1999	Hodges Wilsher et al.	D14/491
5,963,203 A *	10/1999	Goldberg et al.	715/723
D457,890 S *	5/2002	Chaudhri et al.	D14/493
D482,368 S *	11/2003	den Toonder et al.	D14/486
D494,186 S *	8/2004	Johnson	D14/485
D497,367 S *	10/2004	Wasko et al.	D14/489
D503,179 S *	3/2005	Kolawa et al.	D14/489
D523,871 S *	6/2006	Hally et al.	D14/487
D541,294 S *	4/2007	Burkard et al.	D14/492

D544,871 S *	6/2007	Lim et al.	D14/485
D545,834 S *	7/2007	Anthony et al.	D14/488
D545,835 S *	7/2007	Anthony et al.	D14/488
D546,334 S *	7/2007	Seo et al.	D14/485
D546,343 S *	7/2007	Anthony et al.	D14/488
D549,713 S *	8/2007	Lewin et al.	D14/485
D554,144 S *	10/2007	Hally et al.	D14/487

(Continued)

OTHER PUBLICATIONS

Excerpt from Vista Data Catalog, Stop [online], [retrieved on Apr. 4, 2007]. Retrieved from the Internet <URL: <http://www.icons shock.com>>.*

(Continued)

Primary Examiner—Cathron C Brooks
Assistant Examiner—Karen E Kearney
(74) *Attorney, Agent, or Firm*—Banner & Witcoff, Ltd.

(57) **CLAIM**

The ornamental design for an animated image for a portion of a display screen, as shown and described.

DESCRIPTION

FIG. 1 is a first image in the sequence for an animated image for a portion of a display screen showing our new design;

FIG. 2 is the second image thereof;

FIG. 3 is the third image thereof;

FIG. 4 is the fourth image thereof;

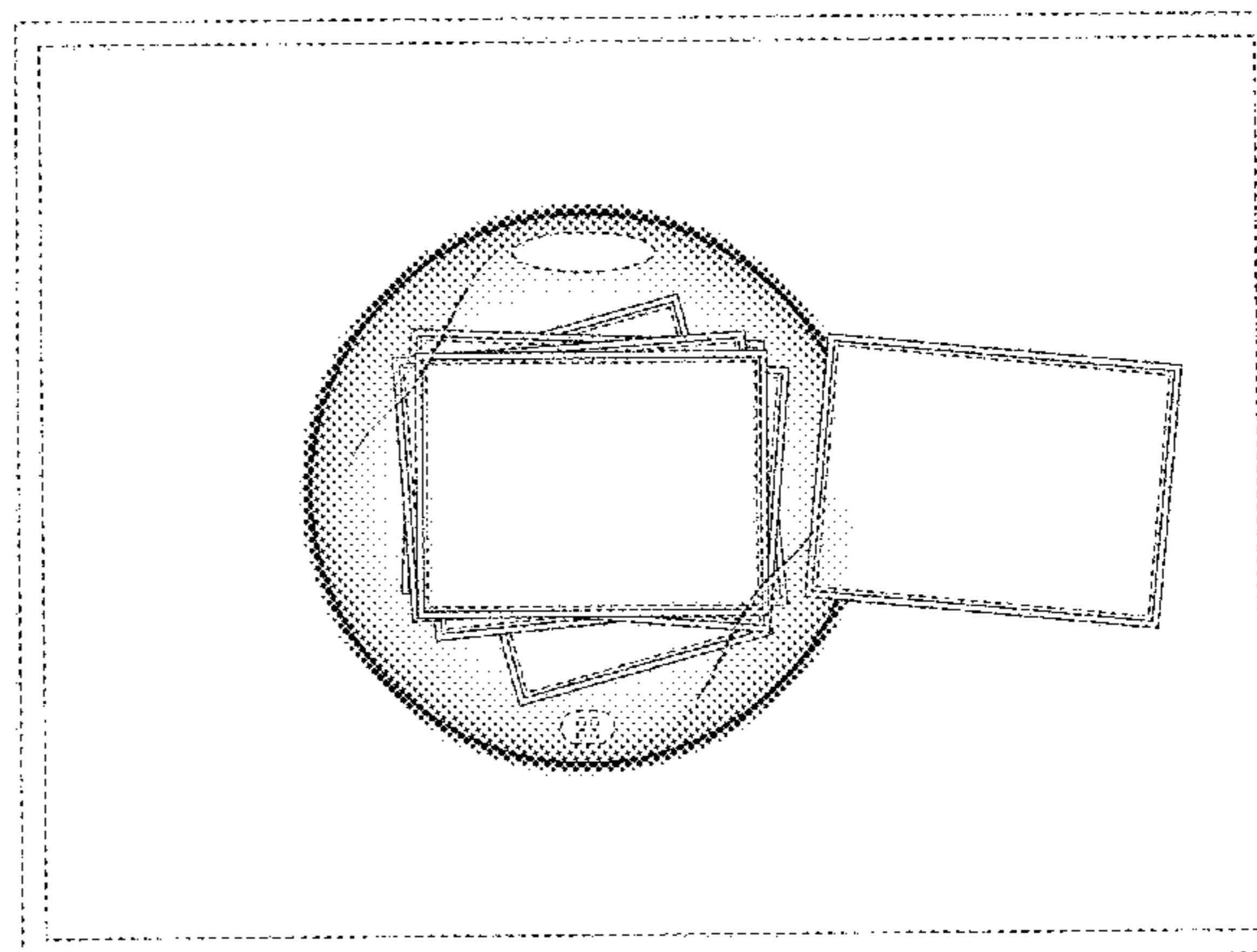
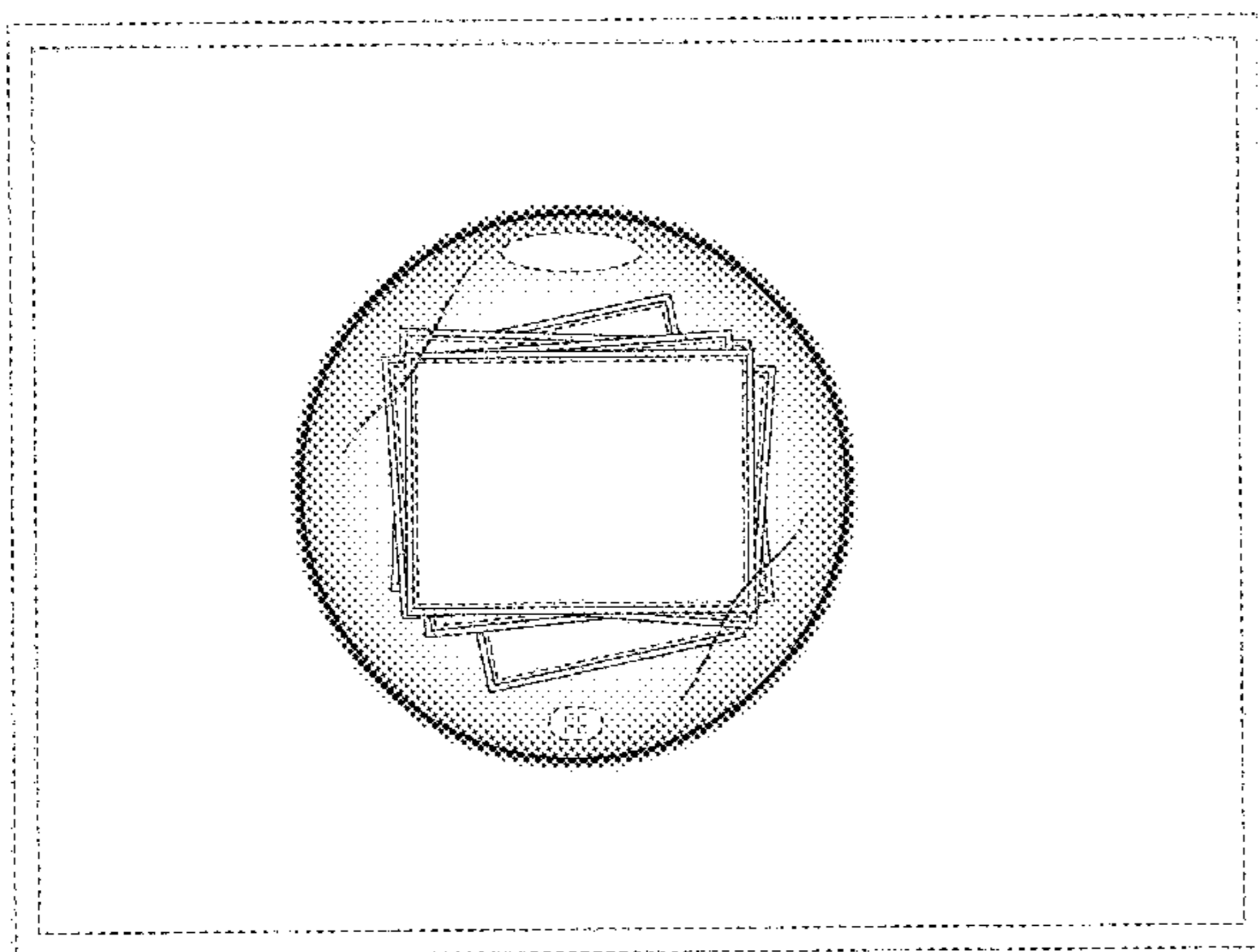
FIG. 5 is the fifth image thereof;

FIG. 6 is the sixth image thereof; and,

FIG. 7 is the seventh image thereof.

The appearance of the animated image sequentially transitions between the images shown in FIGS. 1–7. The process or period in which one image transitions to another forms no part of the claimed design. The broken line showing of the display screen and various regions including the unshaded areas there within forms no part of the claimed design.

1 Claim, 7 Drawing Sheets



U.S. PATENT DOCUMENTS

D554,146	S	*	10/2007	Gusmorino et al.	D14/492
D555,663	S	*	11/2007	Nagata et al.	D14/488
D559,262	S	*	1/2008	Young	D14/487
D559,855	S	*	1/2008	Sato et al.	D14/486
D563,981	S	*	3/2008	Montagne et al.	D14/489
D572,264	S	*	7/2008	Guimaraes et al.	D14/490
D578,544	S	*	10/2008	Nathan et al.	D14/488
D588,606	S	*	3/2009	Nathan et al.	D14/488

OTHER PUBLICATIONS

Excerpt from Future Multimedia Catalog, Stop [online], [retrieved on Apr. 4, 2007]. Retrieved from the Internet <URL: <http://www.icons shock.com>>.*

Excerpt from Lumina Multimedia Catalog, Stop [online], [retrieved on Apr. 4, 2007]. Retrieved from the Internet <URL: <http://www.icons shock.com>>.*

Iconfactory : Freeware : Clipper System 2, [online] Jan. 2004 [retrieved on Apr. 4, 2007]. Retrieved from the Internet <URL: <http://iconfactory.com/freeware/preview/clp2>>.*

Iconfactory : Freeware : Peel Off, [online] Mar. 30, 2001 [retrieved on Apr. 4, 2007]. Retrieved from the Internet <URL: <http://iconfactory.com/freeware/preview/peel>>.*

Iconfactory : Freeware : Private Eye Act 2, [online] Feb. 10, 2004 [retrieved on Apr. 4, 2007]. Retrieved from the Internet <URL: <http://iconfactory.com/freeware/preview/pea2>>.*

* cited by examiner

FIG. 1

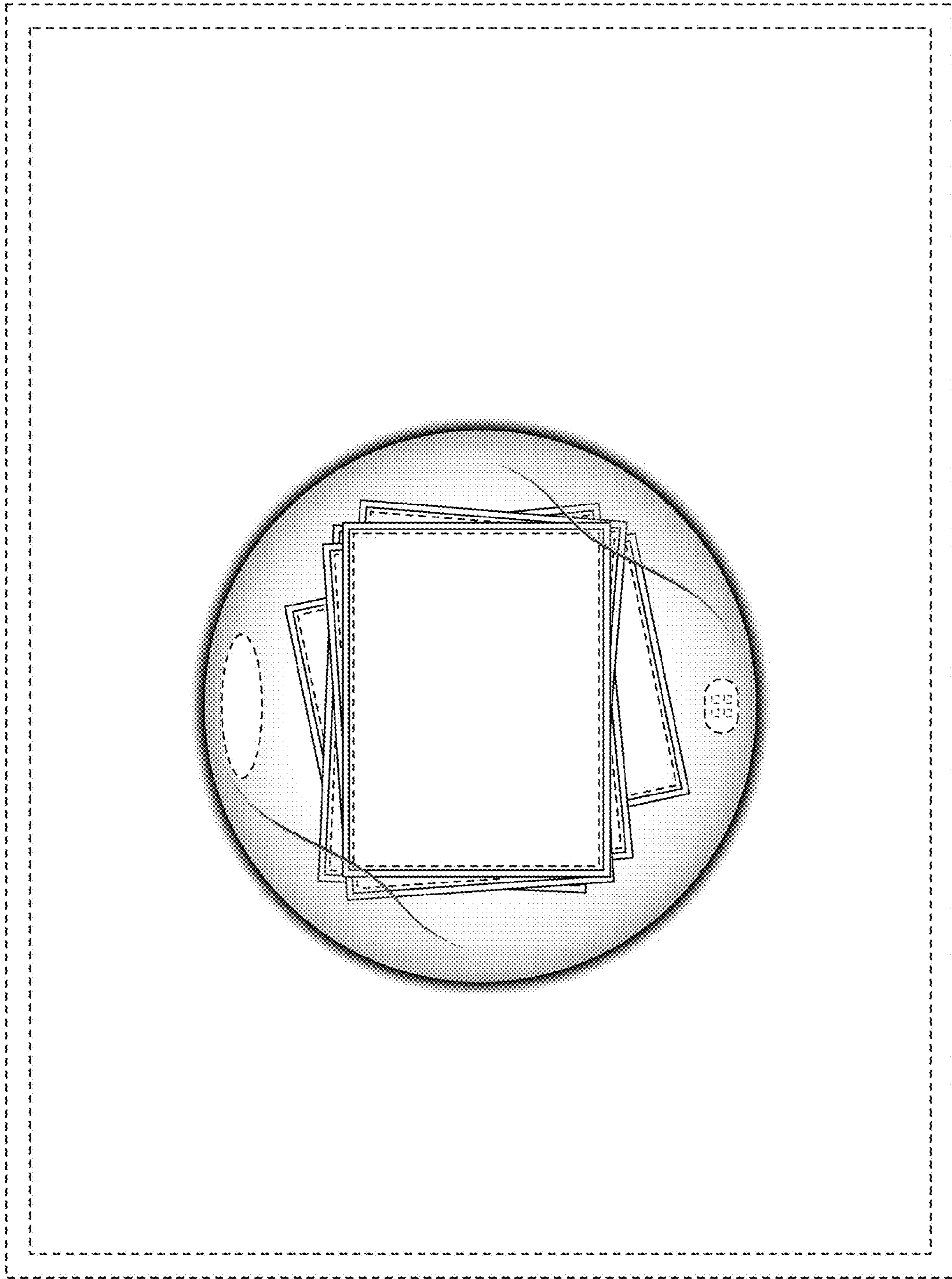


FIG. 2

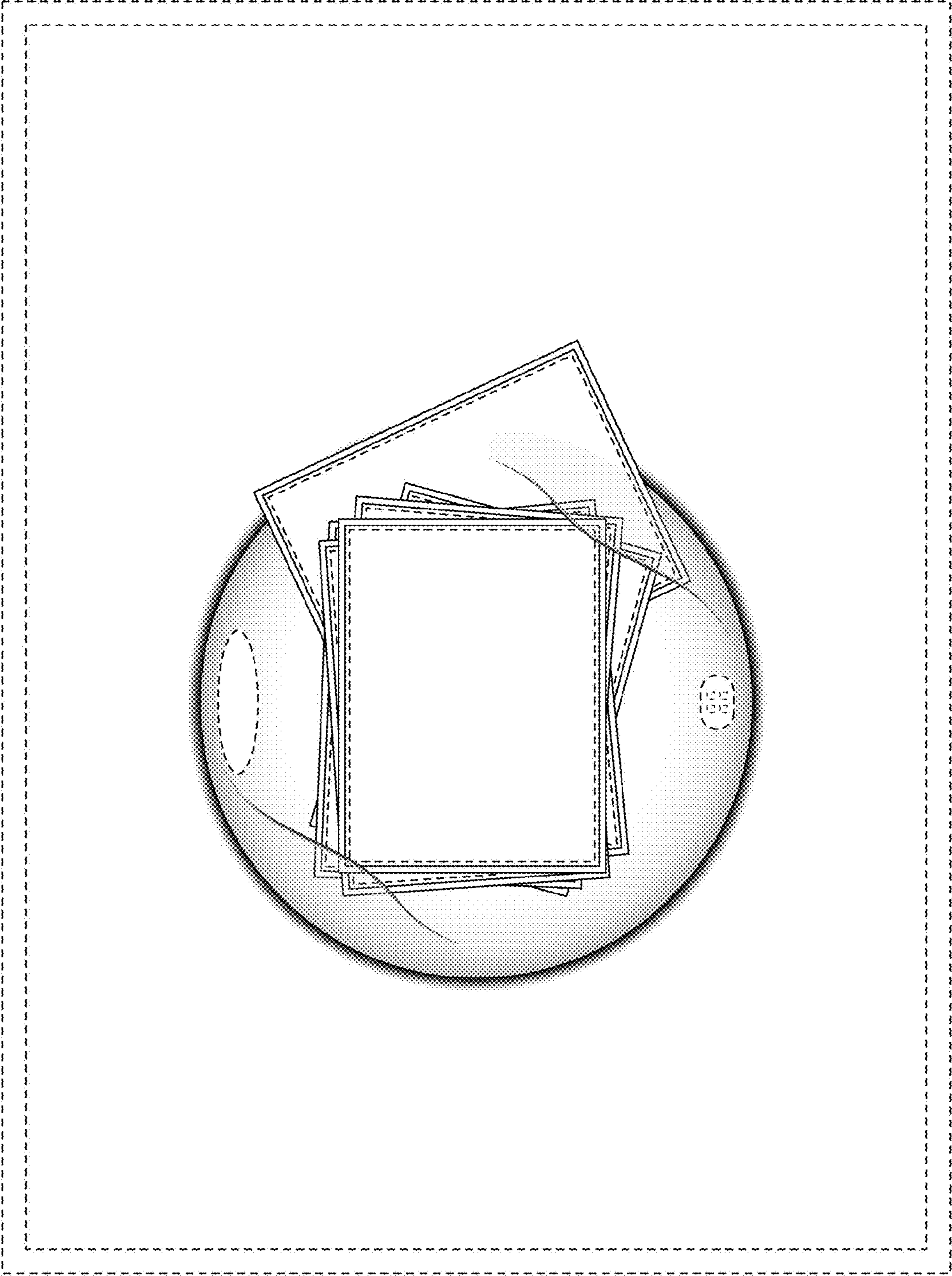
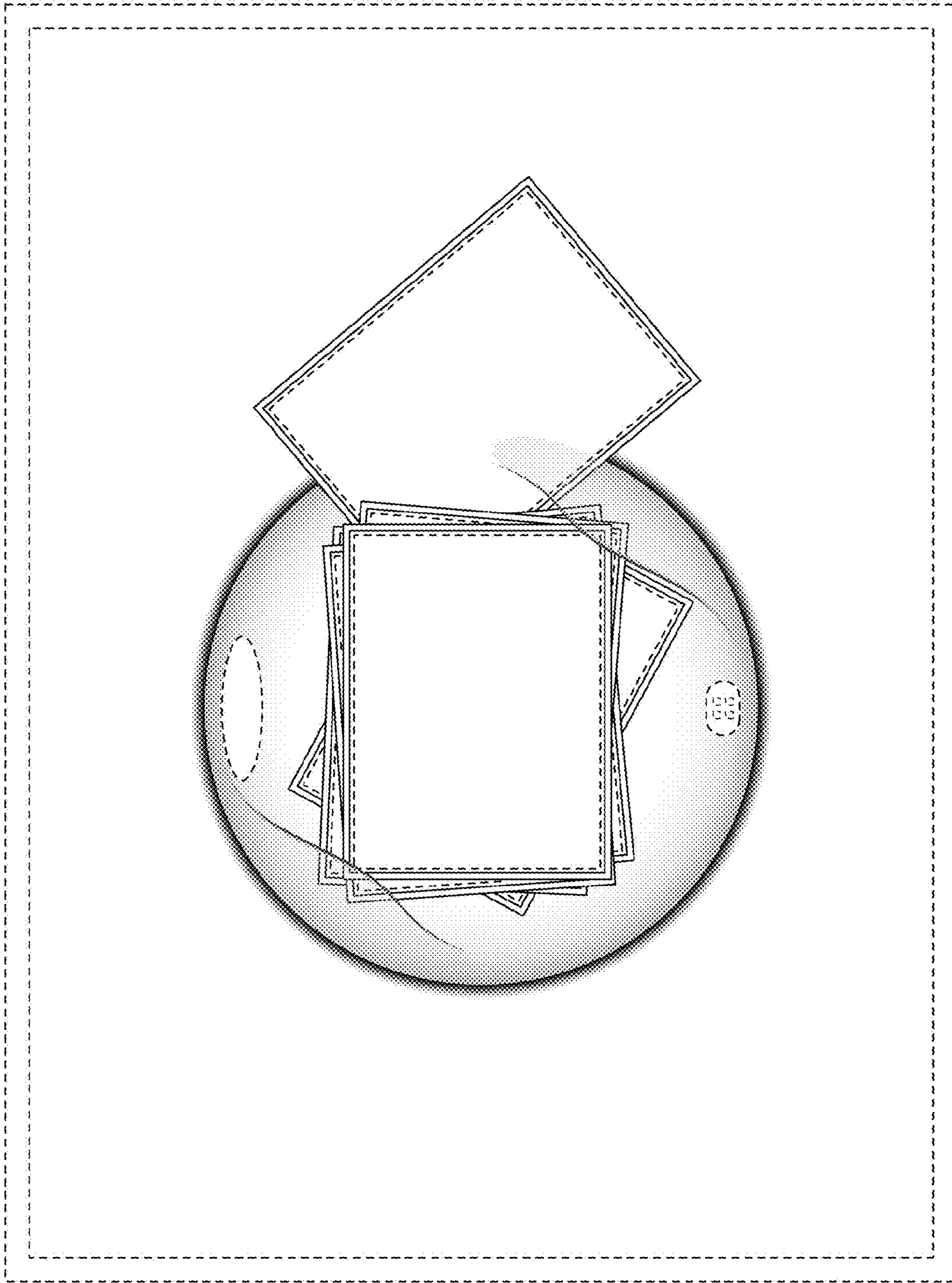


FIG. 3



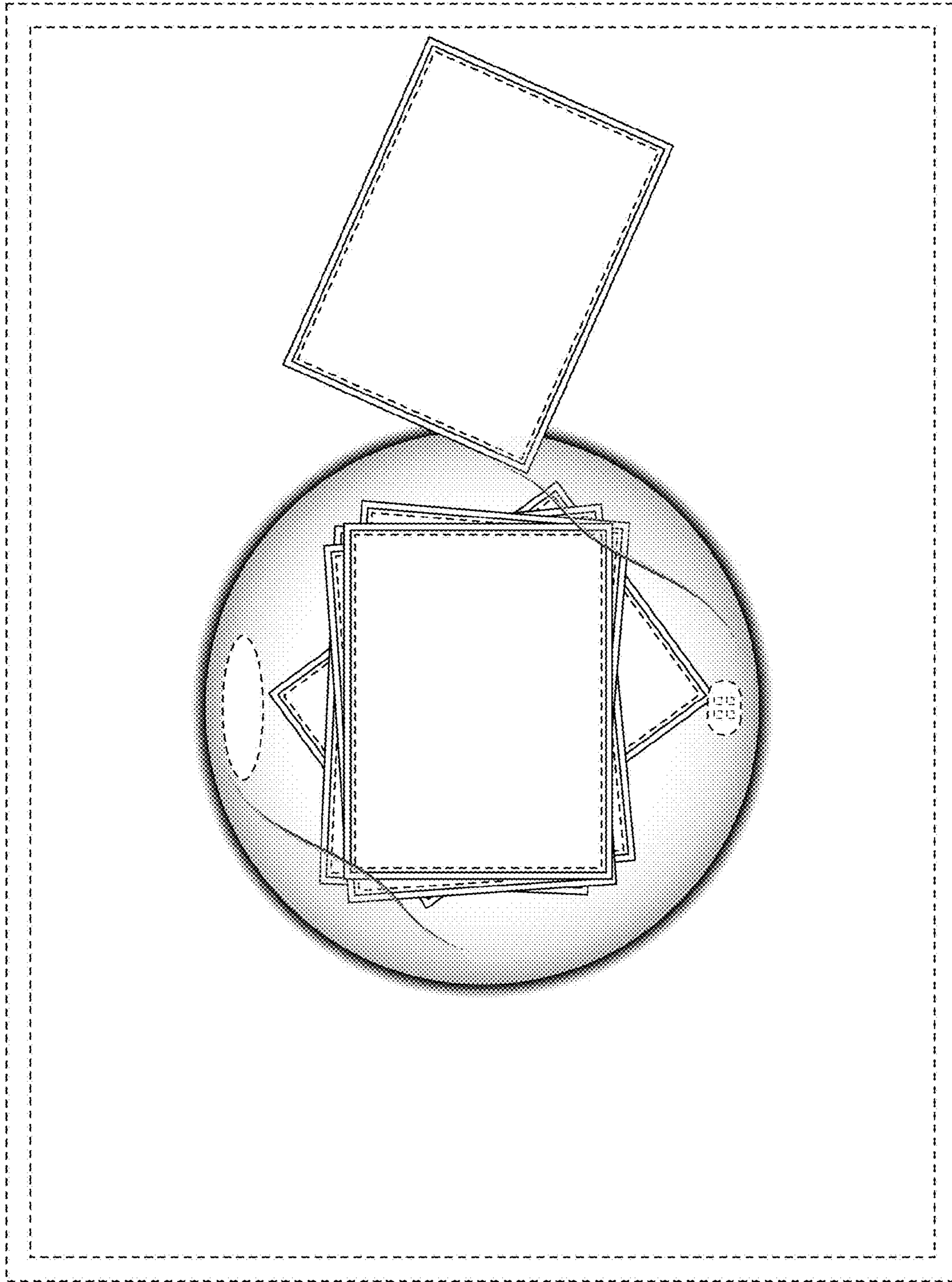


FIG. 4

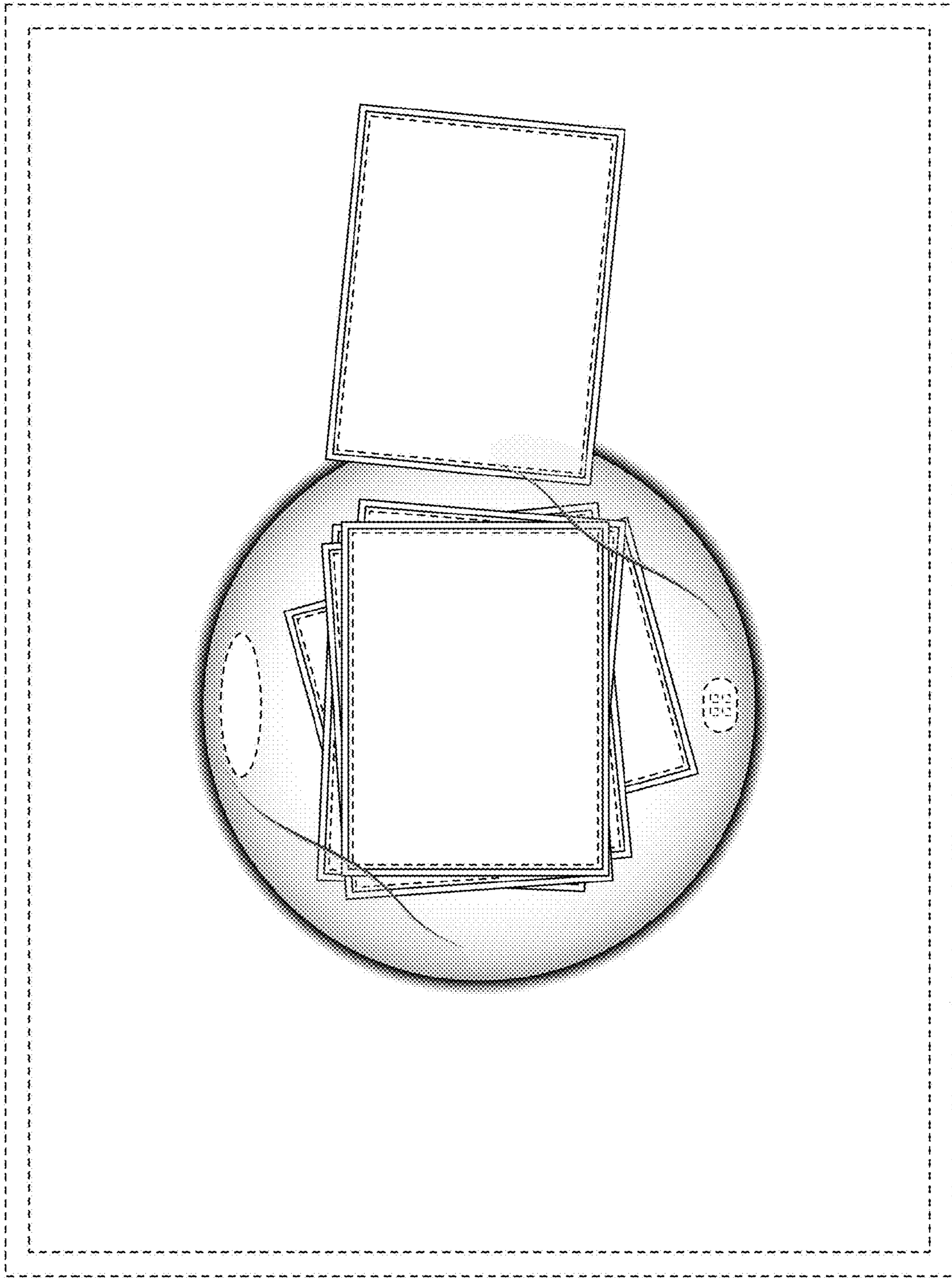


FIG. 5

FIG. 6

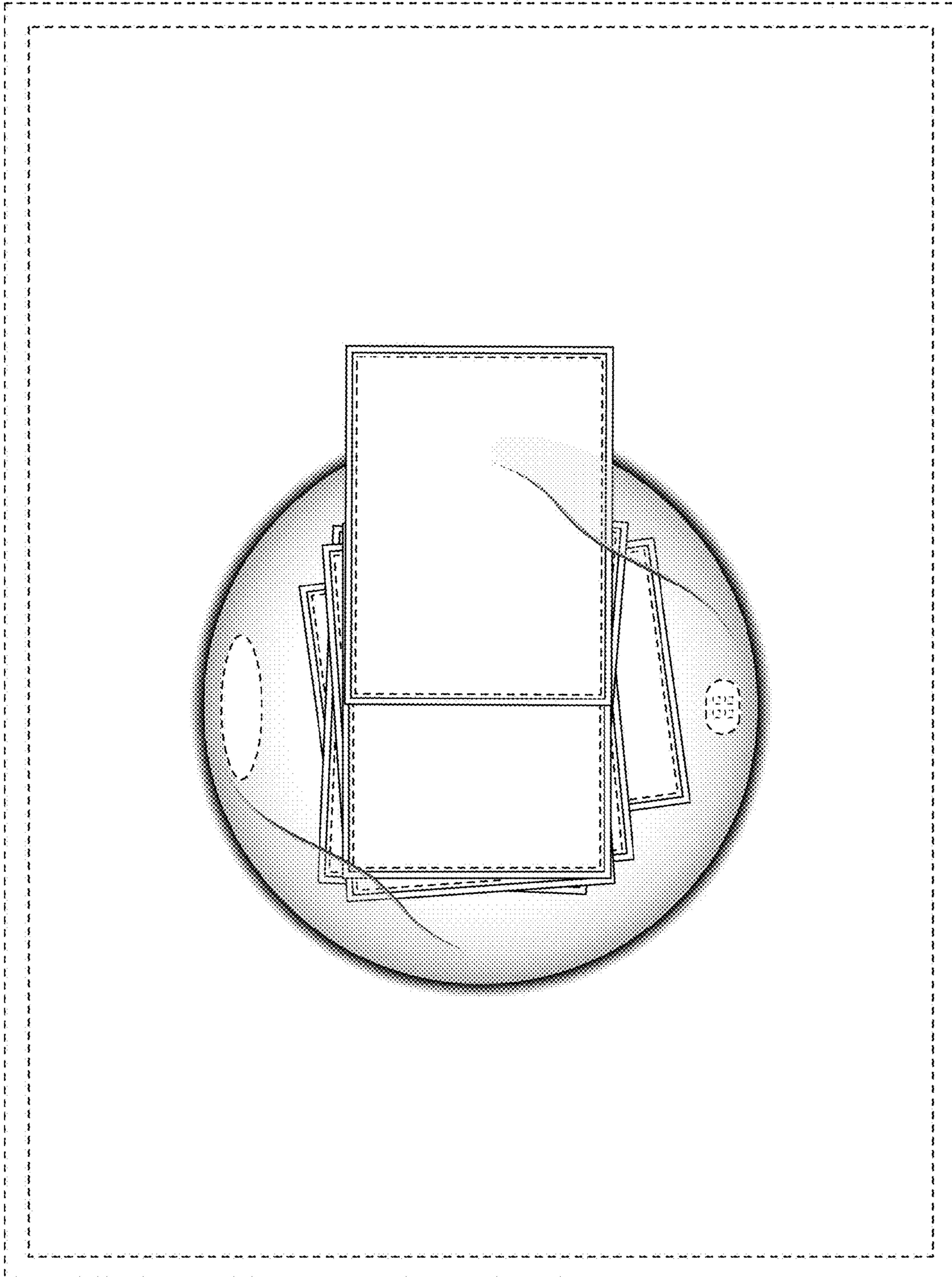


FIG. 7

