

US00D598460S

(12) **United States Design Patent**  
**Hirsch et al.**

(10) **Patent No.:** **US D598,460 S**

(45) **Date of Patent:** **\*\* Aug. 18, 2009**

(54) **ANIMATED IMAGE FOR A PORTION OF A DISPLAY SCREEN**

(75) Inventors: **Evan Marc Hirsch**, Seattle, WA (US);  
**Noah Henry Kaarbo**, Seattle, WA (US);  
**Sarah Graham Williams**, Seattle, WA (US);  
**Martin Andrew Kline**, Studio City, CA (US)

(73) Assignee: **Microsoft Corporation**, Redmond, WA (US)

(\*\*) Term: **14 Years**

(21) Appl. No.: **29/328,611**

(22) Filed: **Nov. 26, 2008**

(51) **LOC (9) Cl.** ..... **32-00**

(52) **U.S. Cl.** ..... **D14/485**

(58) **Field of Classification Search** ..... D14/485–495;  
D18/26, 31–33; D20/11–12, 23–25, 29–32,  
D20/36–38; 715/700–867, 973–977

See application file for complete search history.

(56) **References Cited**

**U.S. PATENT DOCUMENTS**

D20,839 S *	6/1891	Marx	.....	D20/37
D24,030 S *	2/1895	George	.....	D20/25
D47,864 S *	9/1915	Shaw	.....	D20/23
D170,617 S *	10/1953	Abrahams et al.	.....	D9/635
D296,642 S *	7/1988	Gill	.....	D7/396.4
D391,558 S *	3/1998	Marshall et al.	.....	D14/486
D397,101 S *	8/1998	Bier	.....	D14/489
D397,332 S *	8/1998	Ryan	.....	D14/487
D399,196 S *	10/1998	Arora et al.	.....	D14/490
D420,993 S *	2/2000	Decker	.....	D14/486
D423,484 S *	4/2000	Dangelmaier et al.	.....	D14/485
D430,120 S *	8/2000	Yasui et al.	.....	D14/488
D435,561 S *	12/2000	Pettigrew et al.	.....	D14/487
D438,873 S *	3/2001	Wang et al.	.....	D14/486
D446,790 S *	8/2001	Wang et al.	.....	D14/486
D452,692 S *	1/2002	Fukuda	.....	D14/489
D474,195 S *	5/2003	Kates et al.	.....	D14/485
D474,782 S *	5/2003	Okuley	.....	D14/489
D485,279 S *	1/2004	DeCombe	.....	D14/486
D492,693 S *	7/2004	Kates et al.	.....	D14/486
D494,186 S *	8/2004	Johnson	.....	D14/485

D497,617 S *	10/2004	Decombe et al.	.....	D14/486
D523,871 S *	6/2006	Hally et al.	.....	D14/487
D524,321 S *	7/2006	Hally et al.	.....	D14/487
D531,636 S *	11/2006	Hoefnagels et al.	.....	D14/485
D544,495 S *	6/2007	Evans et al.	.....	D14/488
D545,323 S *	6/2007	Decombe	.....	D14/485
D545,324 S *	6/2007	Decombe	.....	D14/485
D584,737 S *	1/2009	Stone et al.	.....	D14/486
D588,148 S *	3/2009	Stone et al.	.....	D14/485
D588,150 S *	3/2009	Stone et al.	.....	D14/486

**OTHER PUBLICATIONS**

Symbol Source Book, by Henry Dreyfuss, Van Nostrand Reinhold Company, New York, NY, © 1972, p. 46, Chopper.\*

Logo Lounge 2, by Bill Gardner and Catharine Fishel, Rockport Publishers, Gloucester, MA © 2005, p. 105, item 3B.\*

\* cited by examiner

*Primary Examiner*—Cathron C Brooks

*Assistant Examiner*—Karen E Kearney

(74) *Attorney, Agent, or Firm*—Banner & Witcoff, Ltd.

(57) **CLAIM**

The ornamental design for an animated image for a portion of a display screen, as shown and described.

**DESCRIPTION**

FIG. 1 is a first image in the sequence for an animated image for a portion of a display screen showing our new design;

FIG. 2 is the second image thereof;

FIG. 3 is the third image thereof;

FIG. 4 is the fourth image thereof;

FIG. 5 is the fifth image thereof;

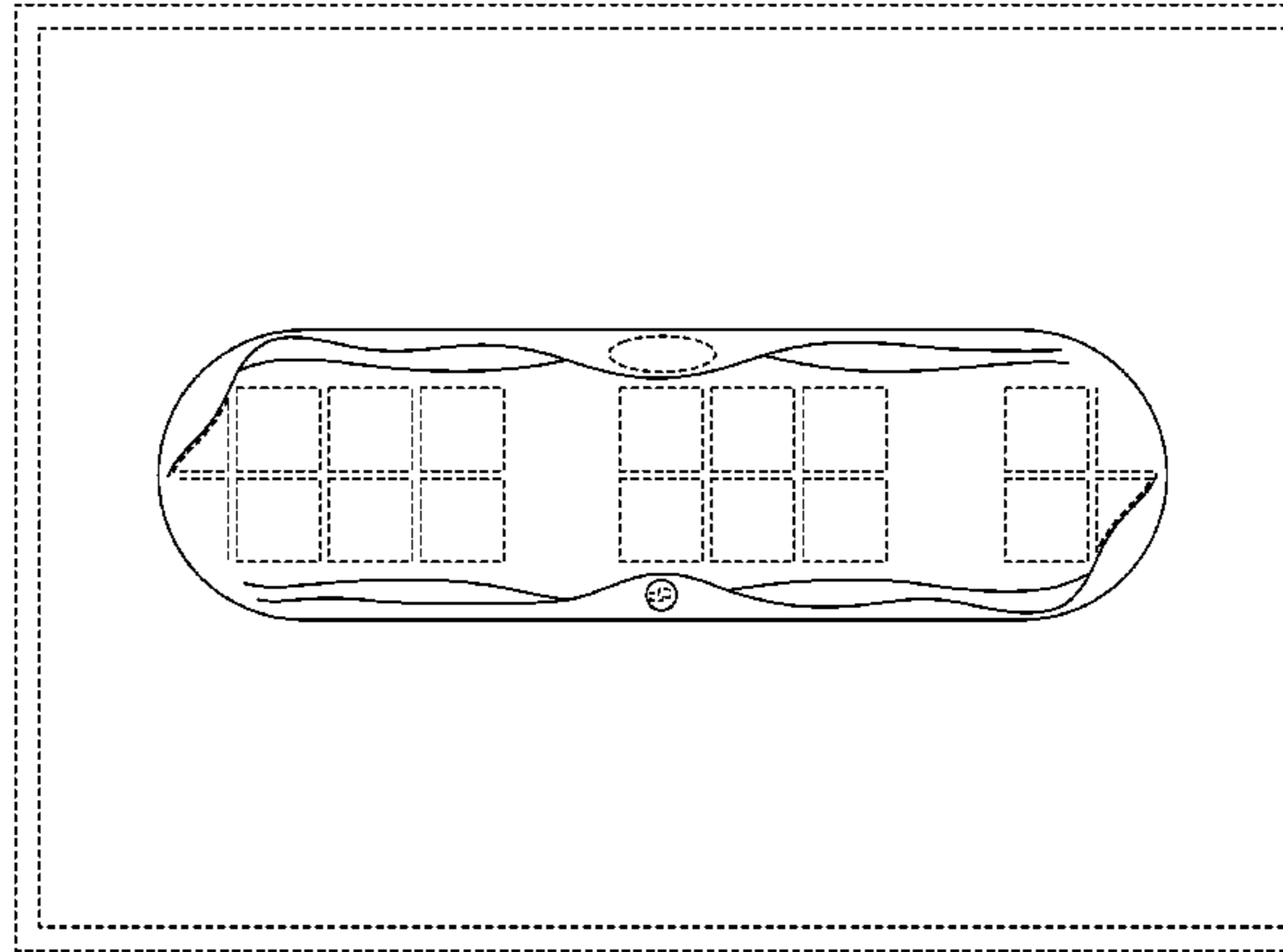
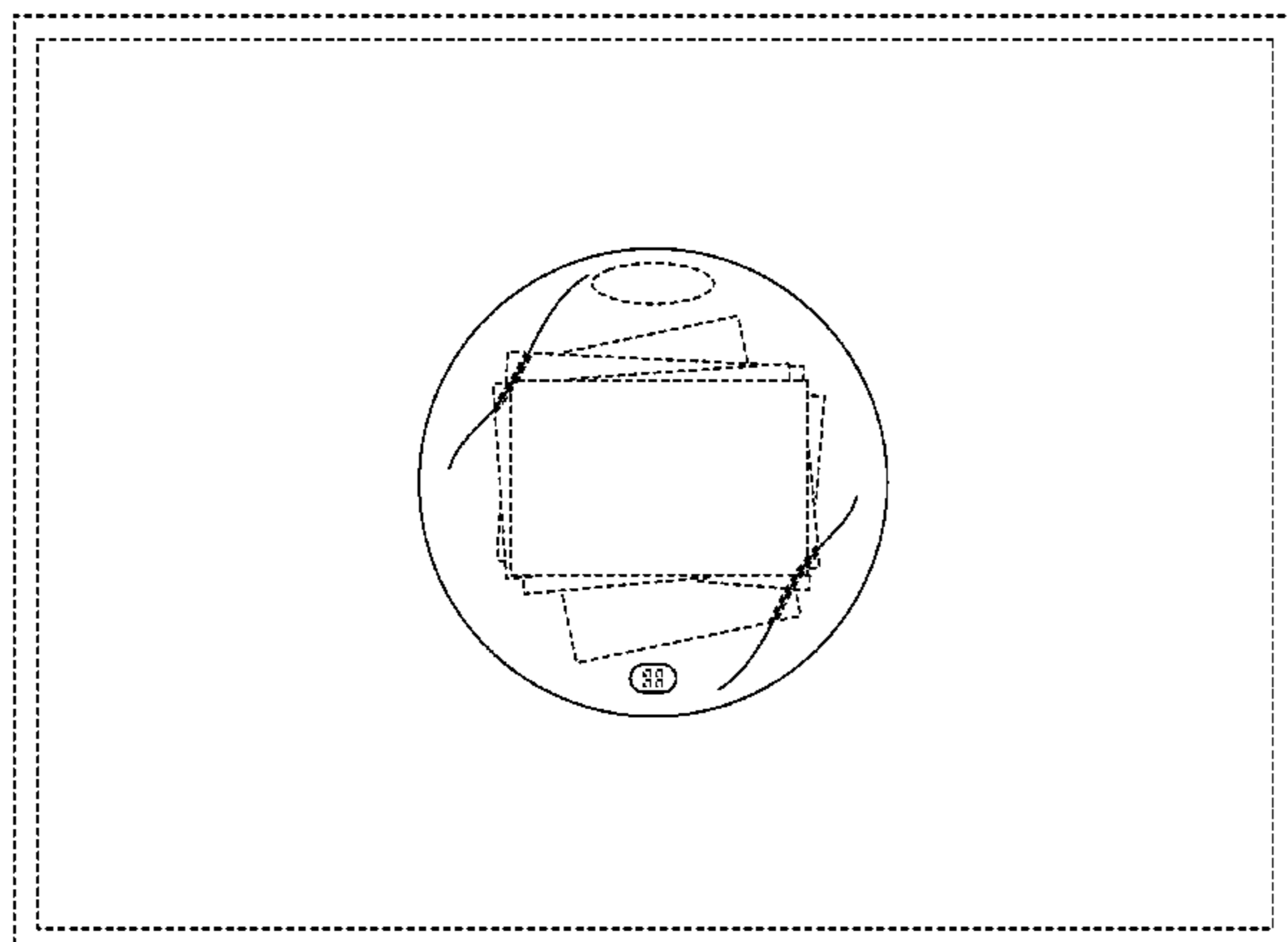
FIG. 6 is the sixth image thereof;

FIG. 7 is the seventh image thereof; and,

FIG. 8 is the eighth image thereof.

The appearance of the animated image sequentially transitions between the images shown in FIGS. 1–8. The process or period in which one image transitions to another forms no part of the claimed design. The broken line showing of the display screen and various regions including the unshaded areas there within forms no part of the claimed design.

**1 Claim, 8 Drawing Sheets**



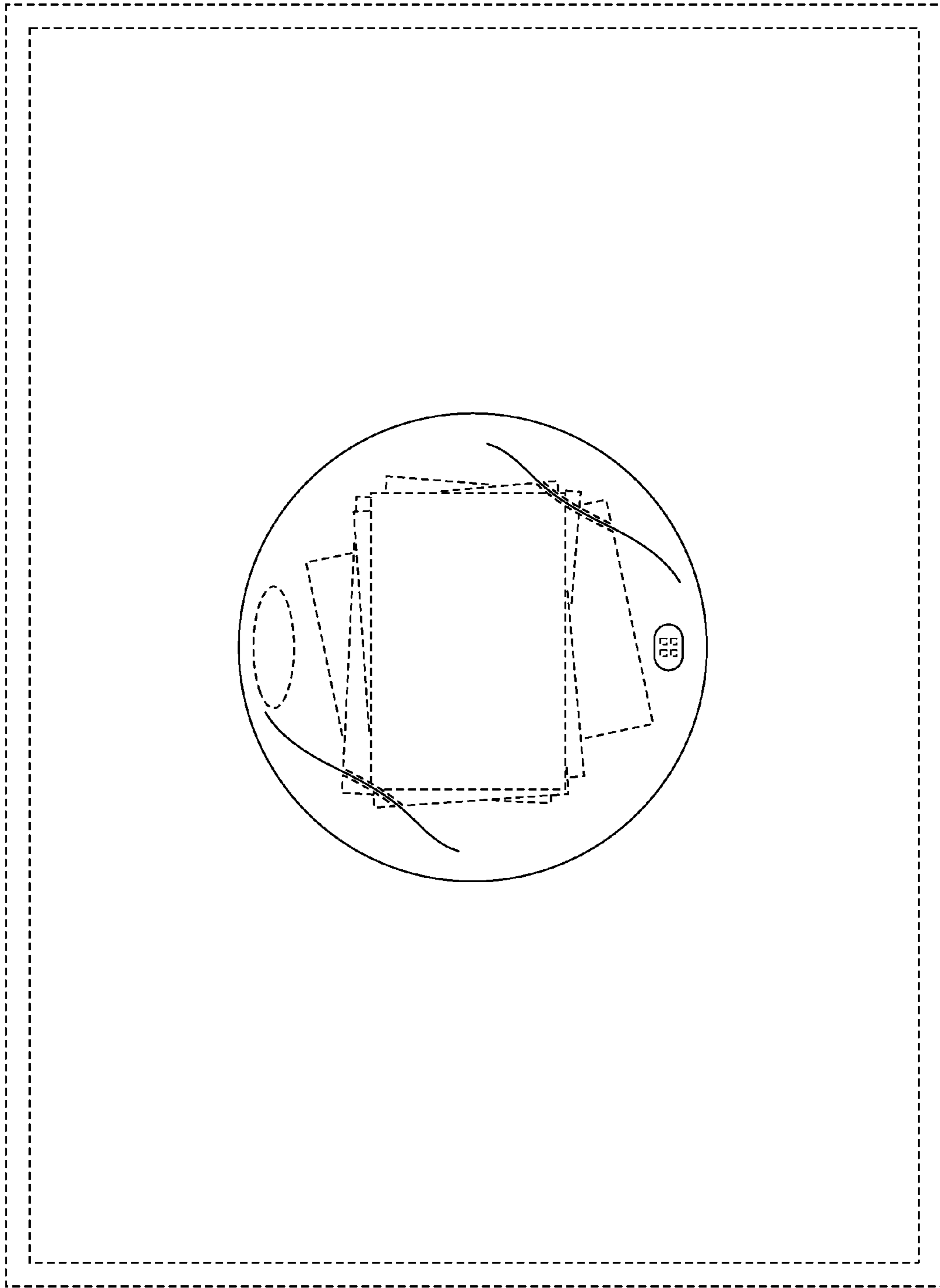
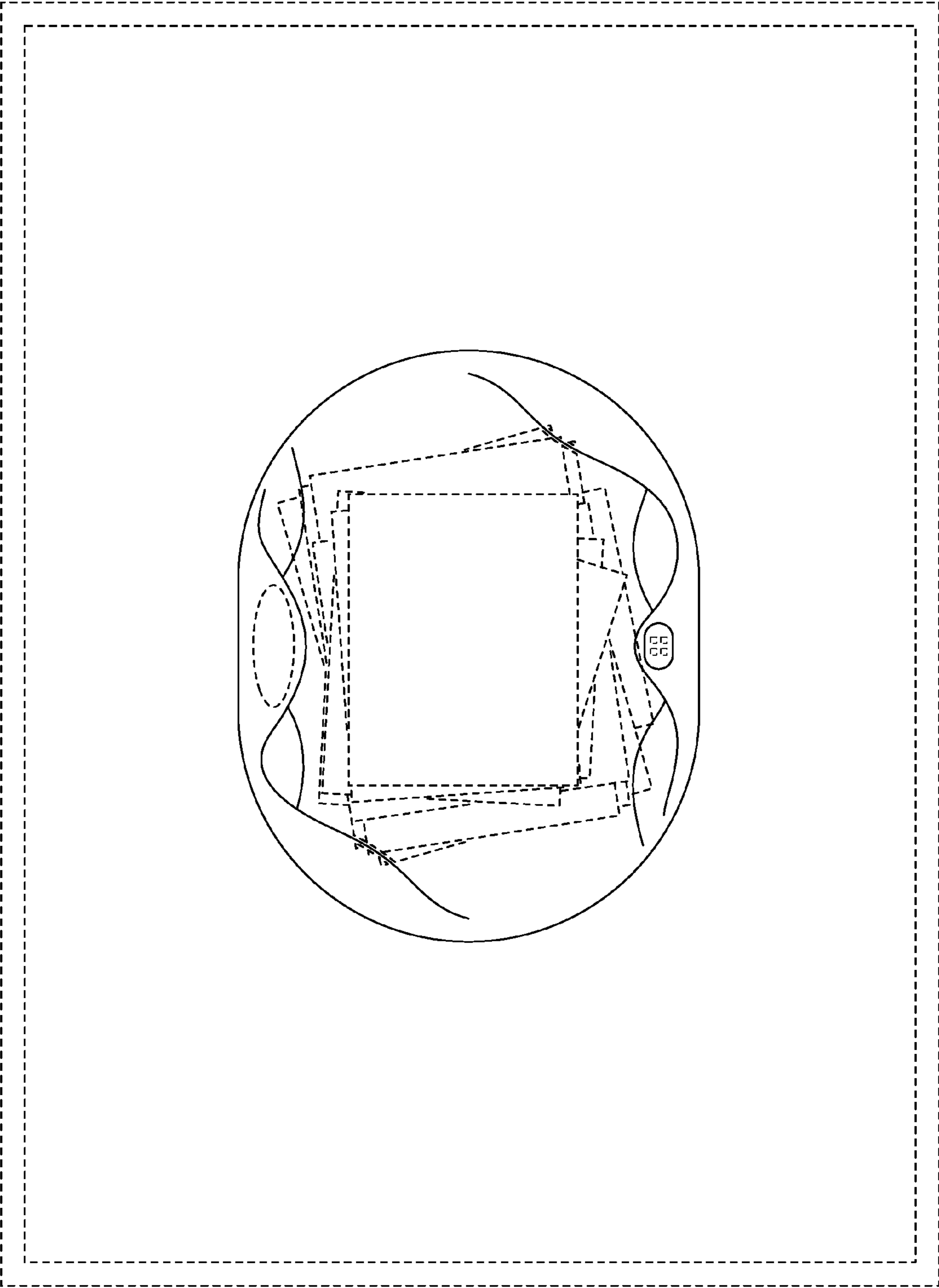


FIG. 1

FIG. 2



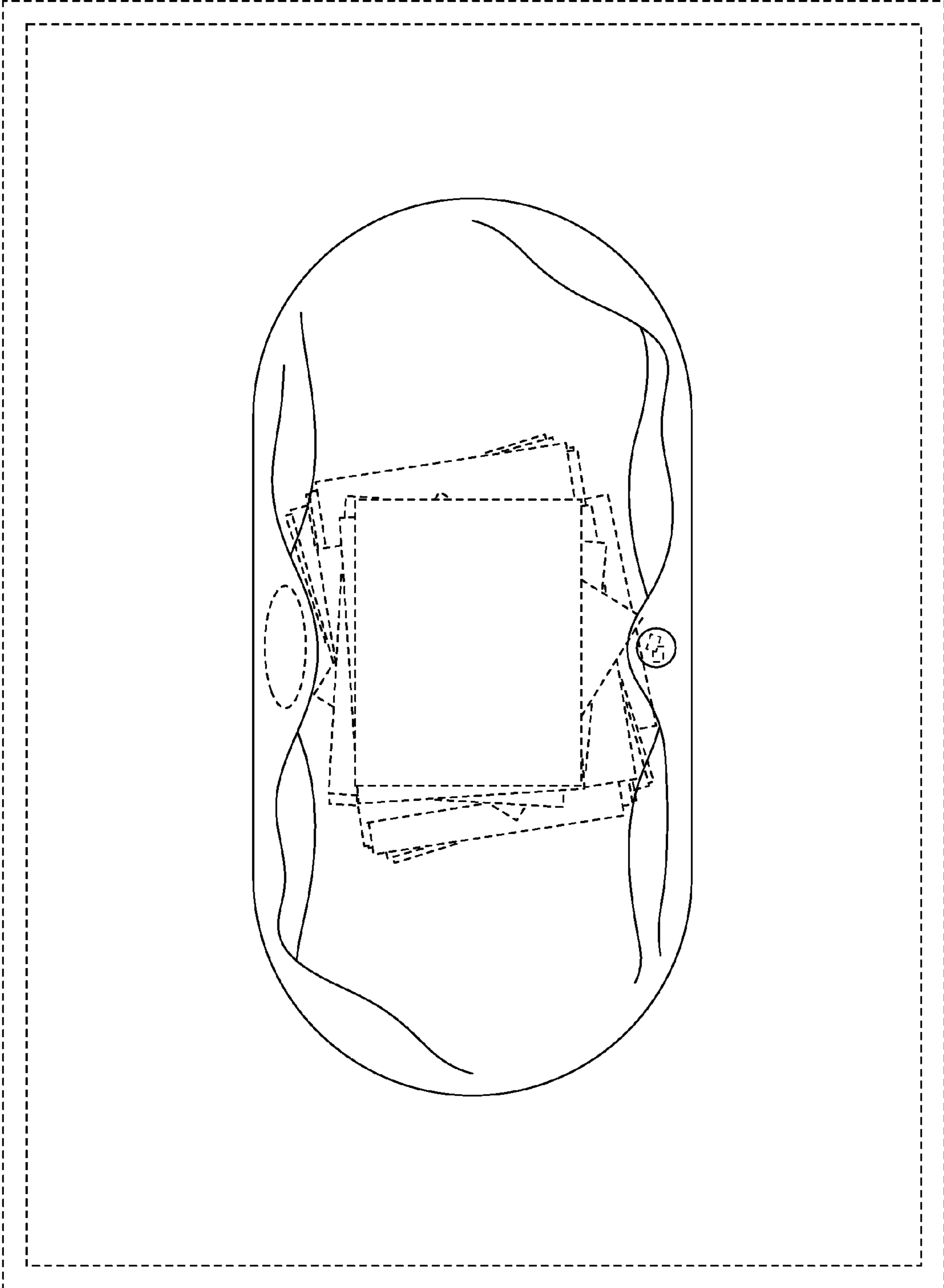


FIG. 3

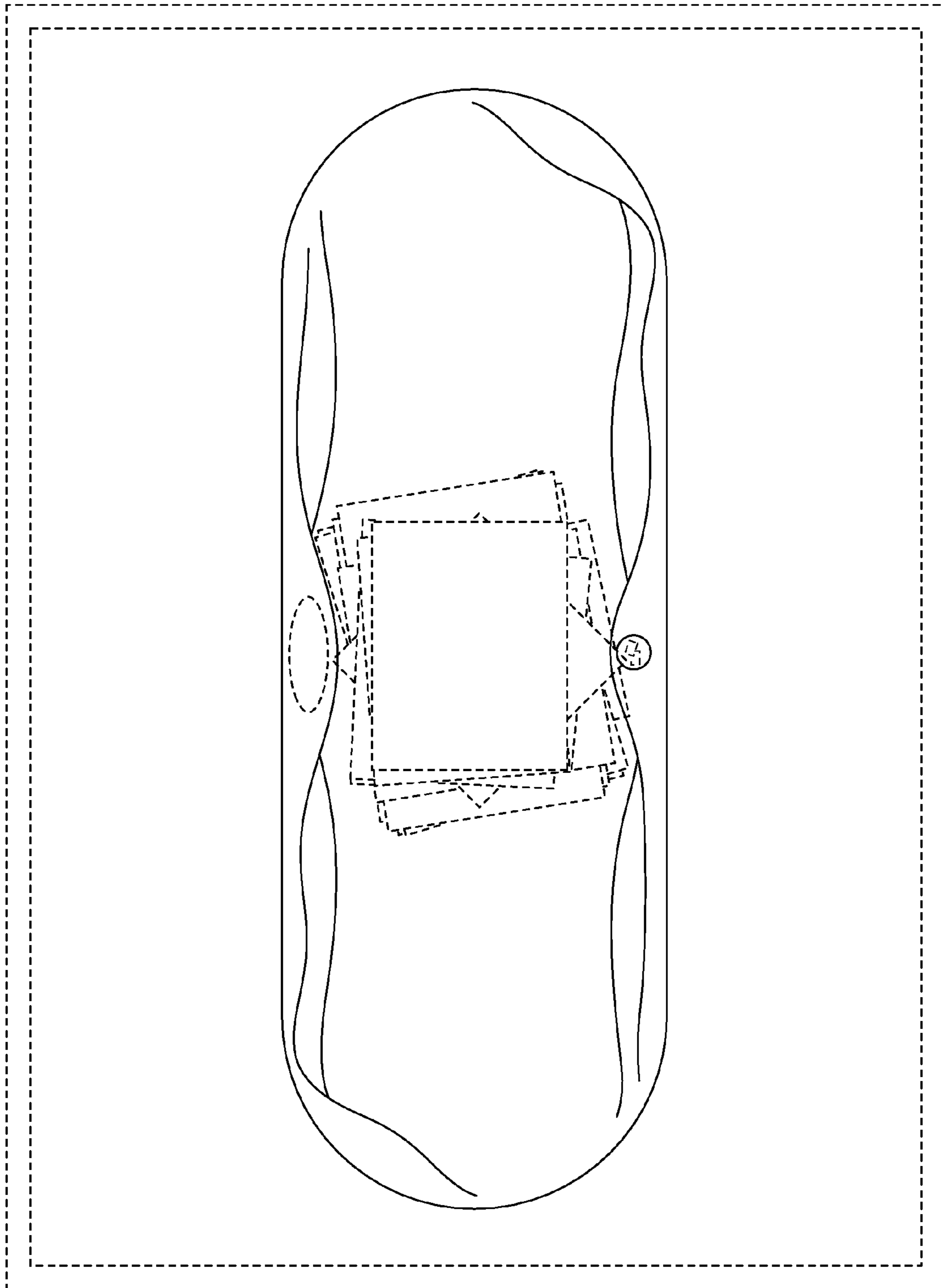


FIG. 4

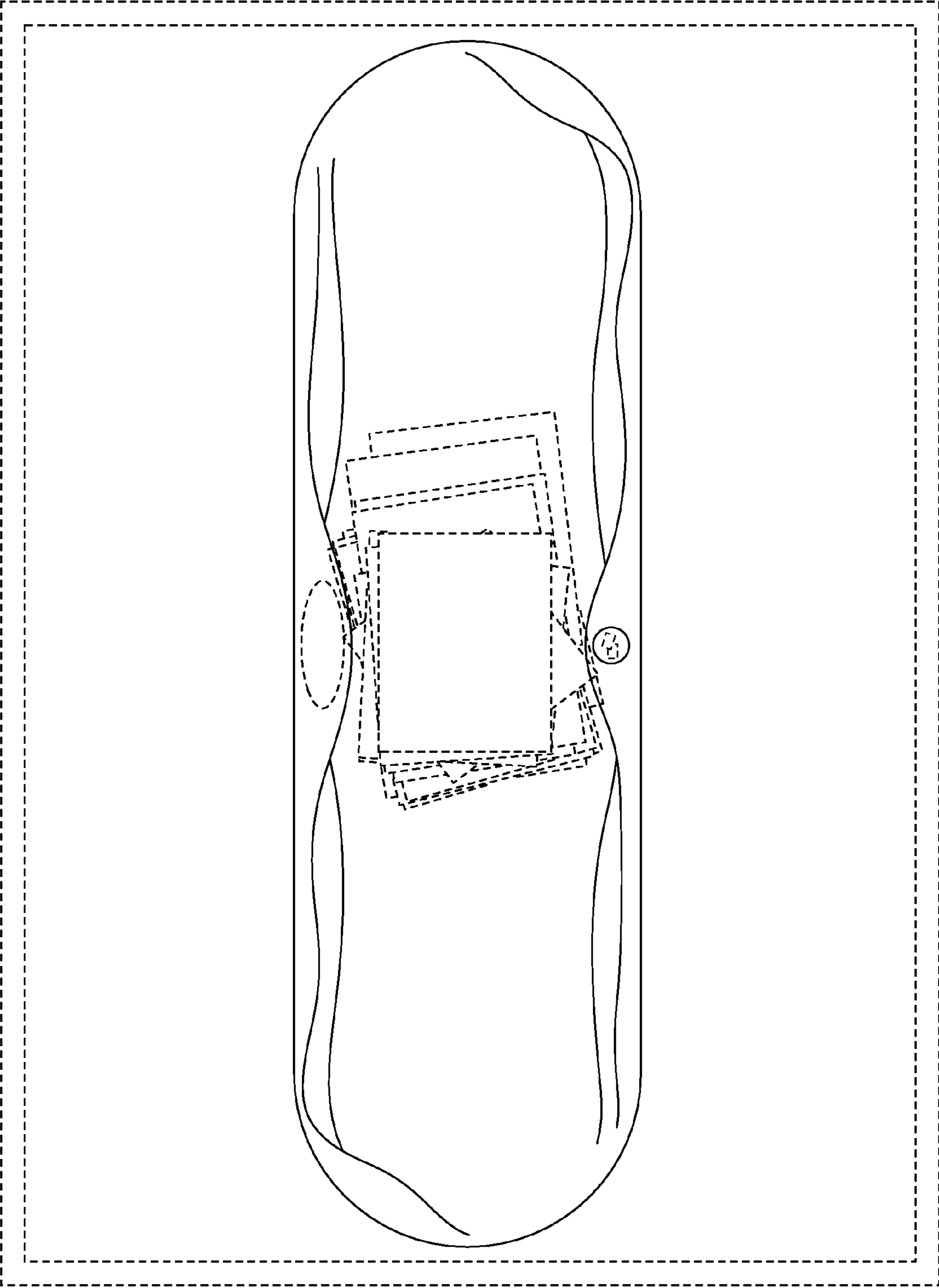


FIG. 5

FIG. 6

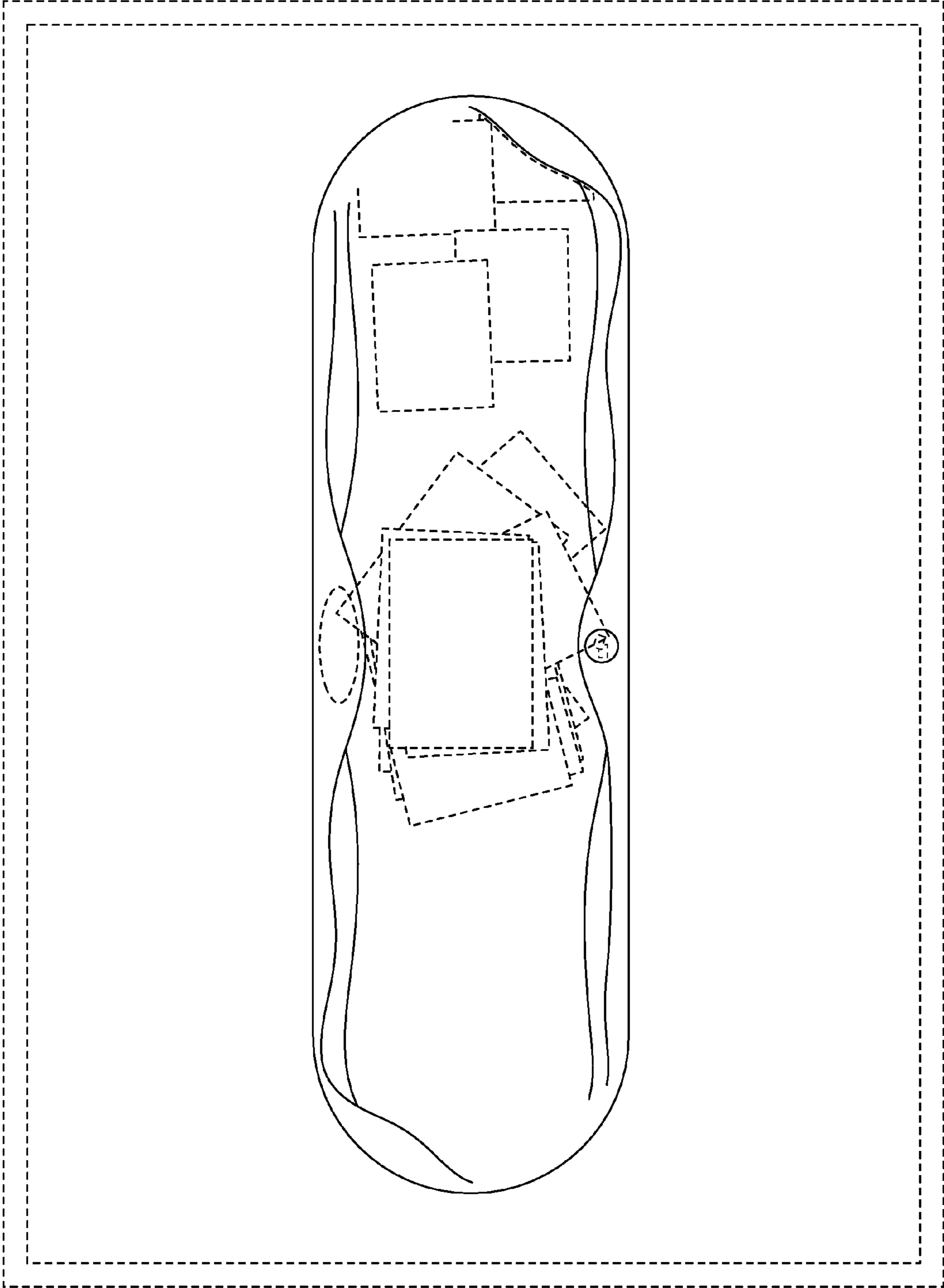
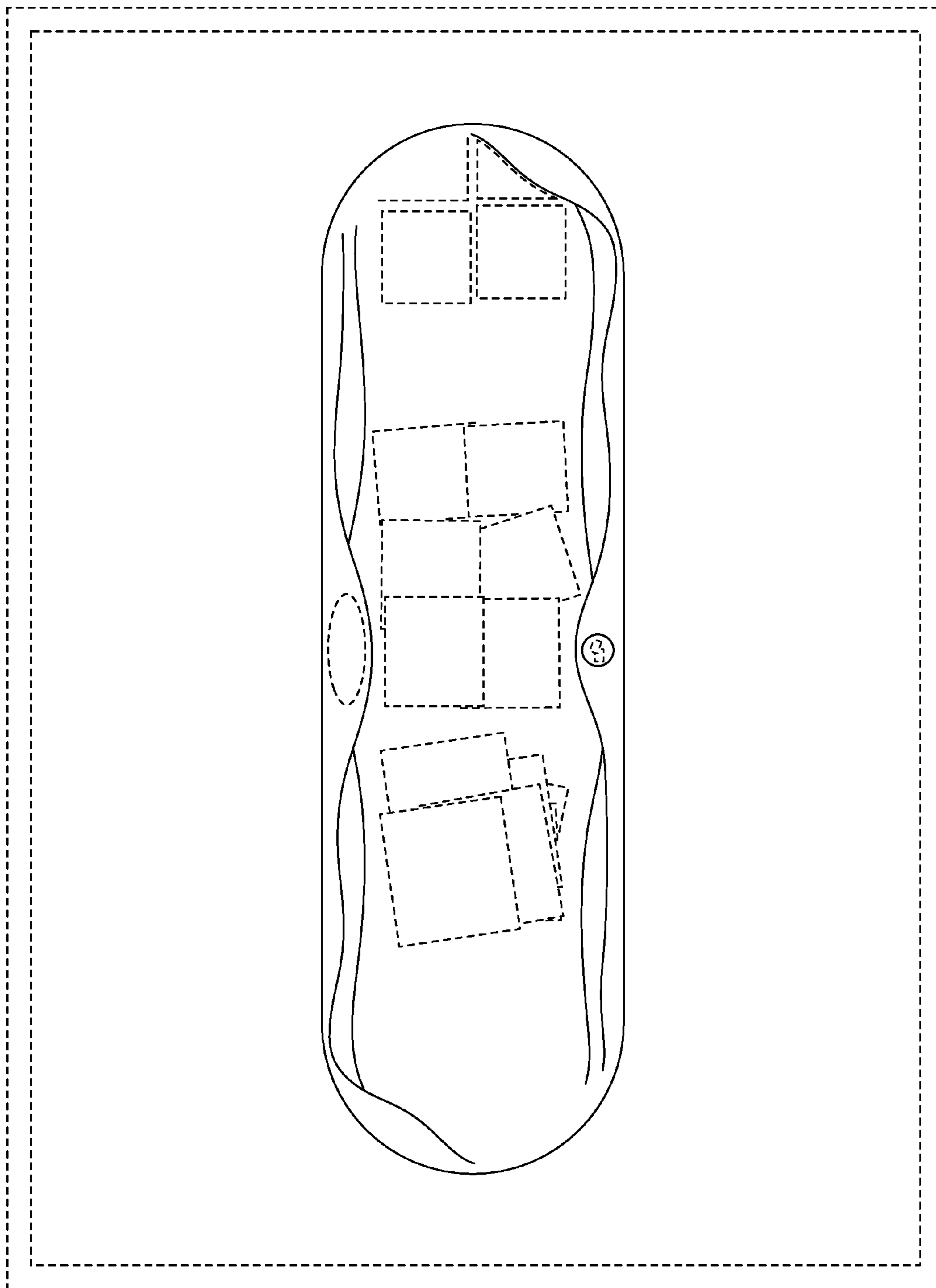


FIG. 7





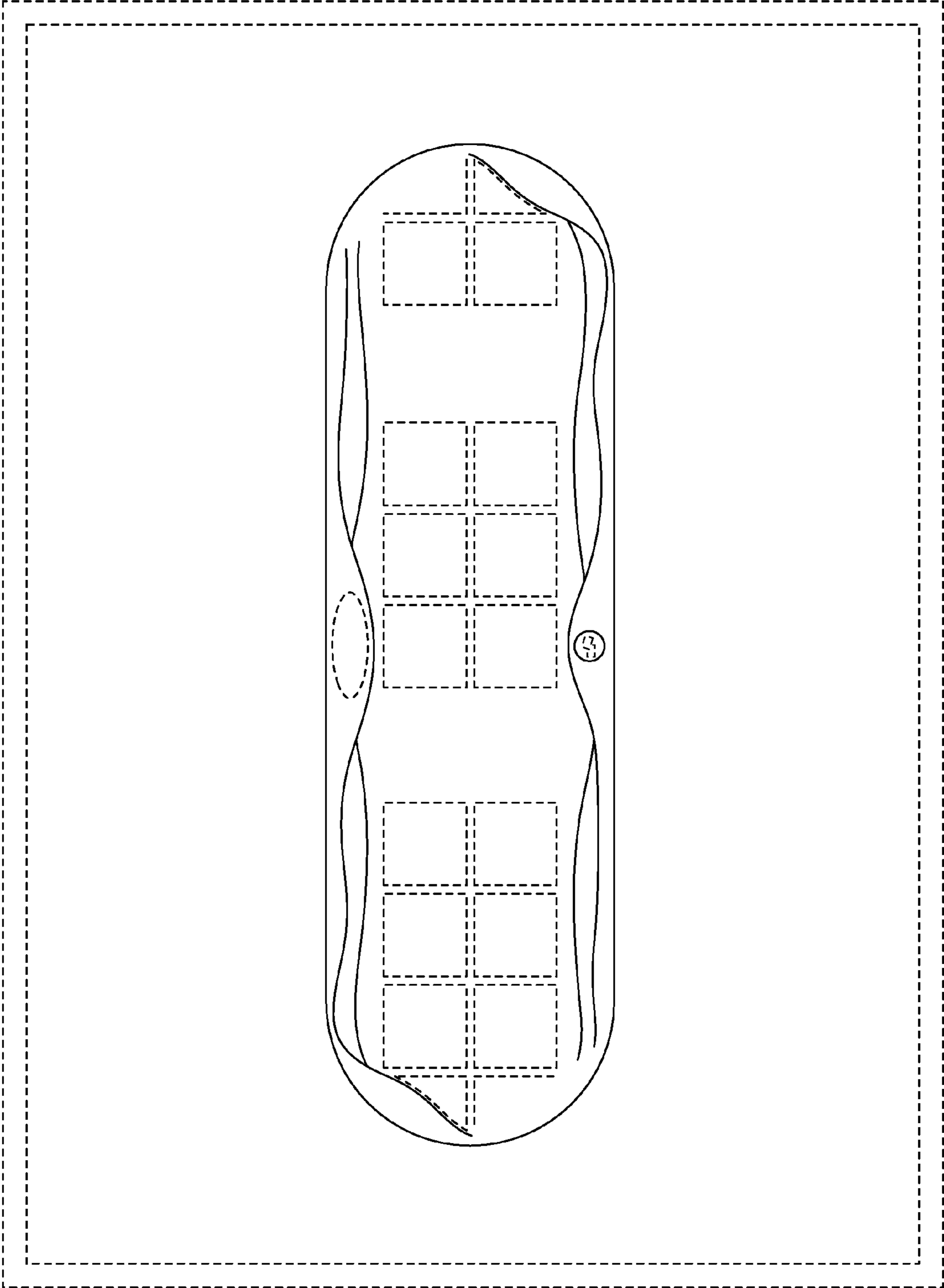


FIG. 8