

US00D598459S

(12) **United States Design Patent**
Gillespie

(10) **Patent No.:** **US D598,459 S**

(45) **Date of Patent:** **** Aug. 18, 2009**

(54) **SURFACE MOUNTING SYSTEM**

(75) Inventor: **John Michael Gillespie**, Green Oaks, IL (US)

(73) Assignee: **Peerless Industries, Inc.**, Melrose Park, IL (US)

(**) Term: **14 Years**

(21) Appl. No.: **29/320,068**

(22) Filed: **Jun. 19, 2008**

(51) **LOC (9) Cl.** **08-07**

(52) **U.S. Cl.** **D14/451**

(58) **Field of Classification Search** D14/447,
D14/448, 451, 452, 457, 459, 460, 461, 239,
D14/251, 253, 224.1, 125, 126, 432, 434,
D14/439, 371-382; D8/354, 363, 373, 380;
D19/90, 91; D18/4.4, 4.5, 4.6, 12; D6/300,
D6/310, 312, 313, 314, 449, 512; D13/139.5,
D13/108; D21/333; D10/74; D12/415;
248/917-924, 675, 676, 678, 447, 122.1,
248/176.1, 176.3, 205.5, 205.8, 324; 312/323.3;
379/446, 454, 455; 361/679.02, 679.06,
361/679.07, 679.21, 679.22, 679.24, 679.26,
361/679.3, 679.46, 679.49, 679.55, 679.56,
361/679.58, 679.6, 693, 697, 809, 810, 825,
361/827; D16/242

See application file for complete search history.

(56) **References Cited**

U.S. PATENT DOCUMENTS

D295,415 S * 4/1988 Thies et al. D14/452
D400,085 S * 10/1998 Haskin D8/363
D478,088 S 8/2003 Hamouz
D487,094 S * 2/2004 Serbinski et al. D14/451
D491,747 S 6/2004 Walters

D491,952 S * 6/2004 Oddsen et al. D14/447
D494,182 S * 8/2004 Singer et al. D14/451
D508,916 S * 8/2005 Lee D14/447
7,159,828 B1 * 1/2007 Yau et al. 248/125.8
D539,566 S 4/2007 Anderson
D549,232 S * 8/2007 Li et al. D14/447
D557,265 S * 12/2007 Brown D14/447
D563,399 S * 3/2008 Wohlford et al. D14/239
D583,158 S * 12/2008 Chiu et al. D6/304
D584,734 S * 1/2009 Chu D14/452

OTHER PUBLICATIONS

“Peerless Audio/Visual Mounting Solutions,” Peerless Industries, Inc. Product Catalog 2006; pp. 30, 32, 33, and 34.

* cited by examiner

Primary Examiner—Jennifer Rivard

Assistant Examiner—Angela J Lee

(74) *Attorney, Agent, or Firm*—Foley & Lardner LLP

(57) **CLAIM**

I claim the ornamental design for a surface mounting system, as shown and described.

DESCRIPTION

FIG. 1 is a perspective view of a surface mounting system showing my new design;

FIG. 2 is a front view thereof;

FIG. 3 is a right side view thereof;

FIG. 4 is a top view thereof;

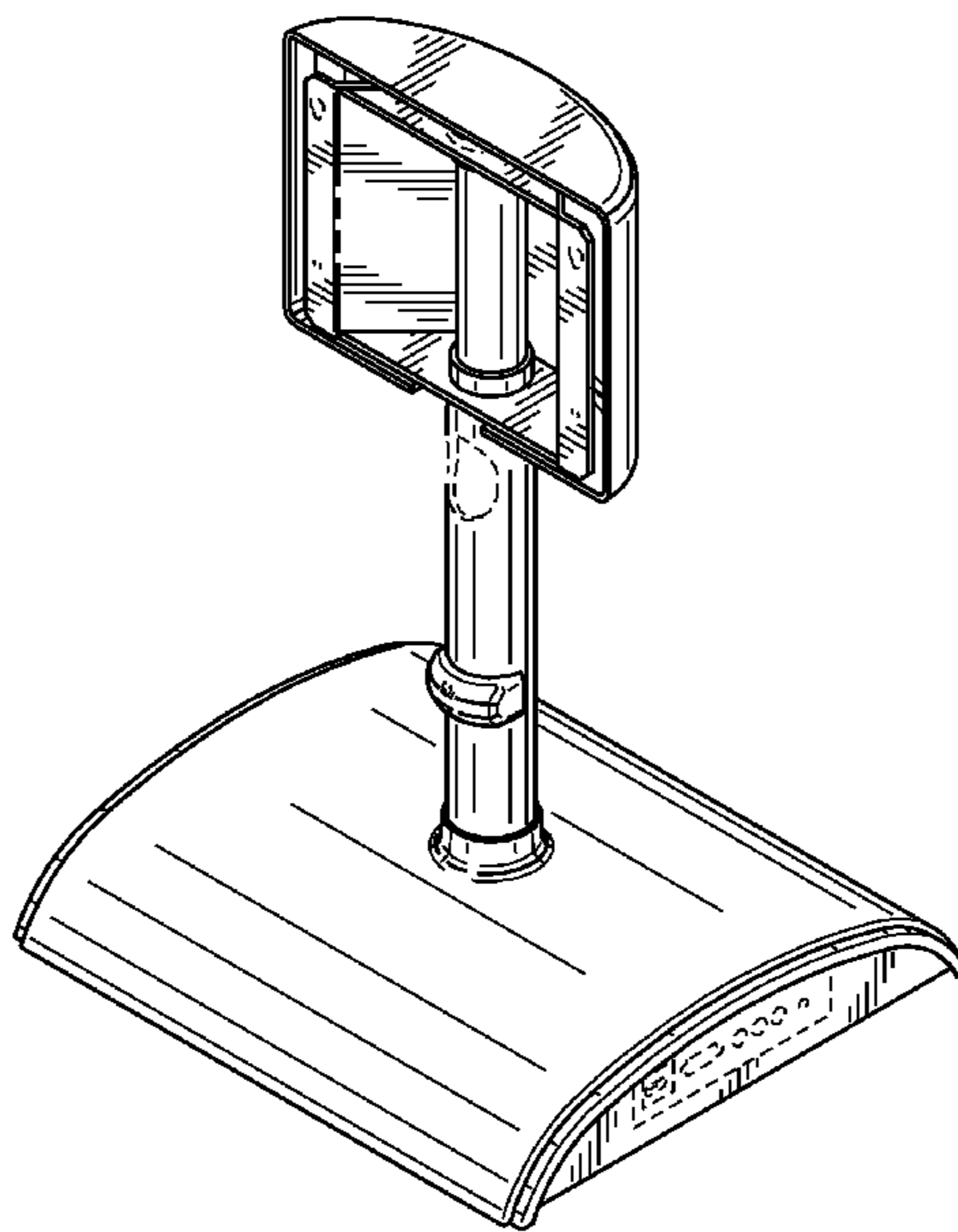
FIG. 5 is back view thereof;

FIG. 6 is a left side view thereof; and,

FIG. 7 is a bottom view thereof.

The portions of the surface mounting system shown in broken lines form no part of the claimed design.

1 Claim, 4 Drawing Sheets



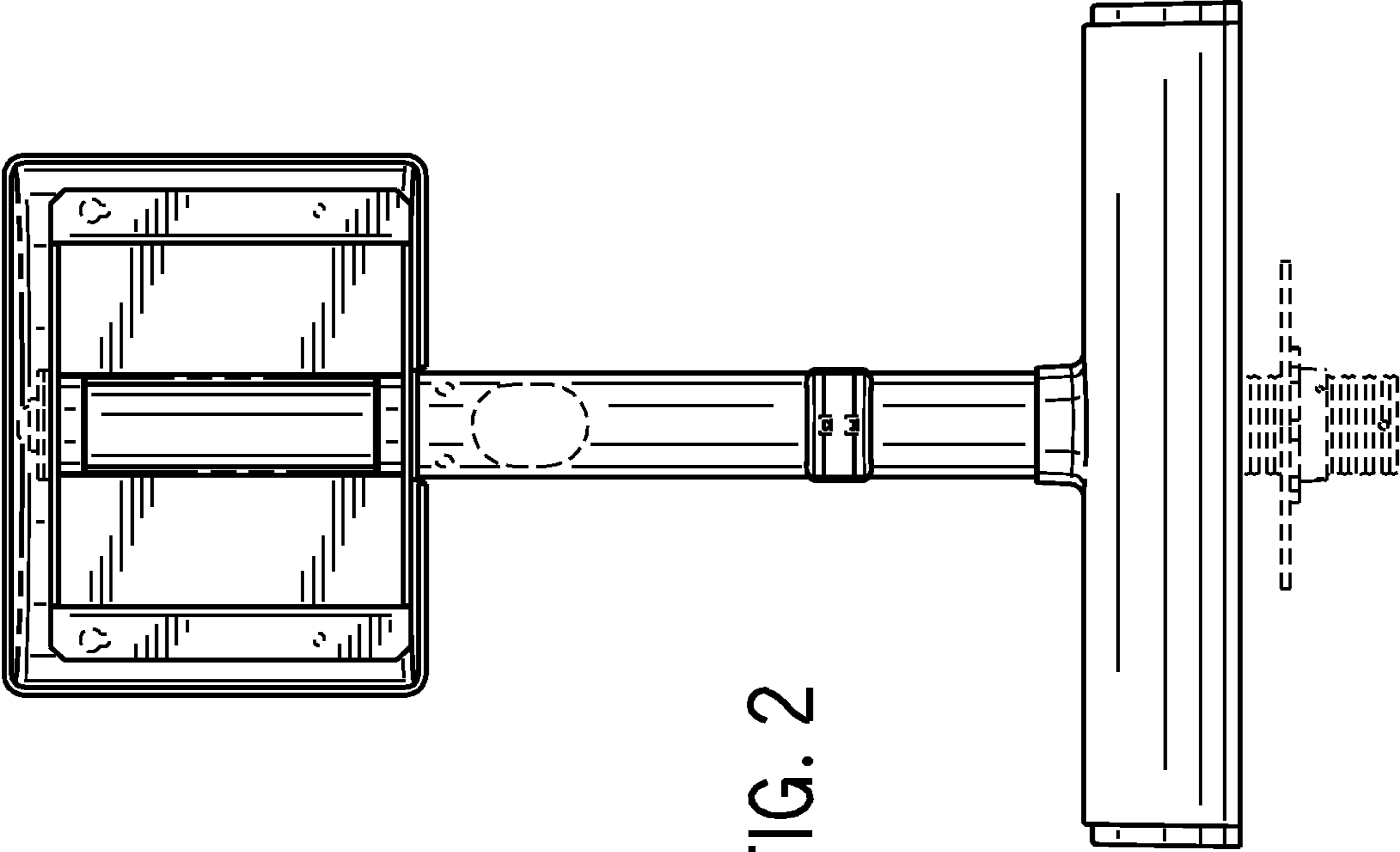


FIG. 2

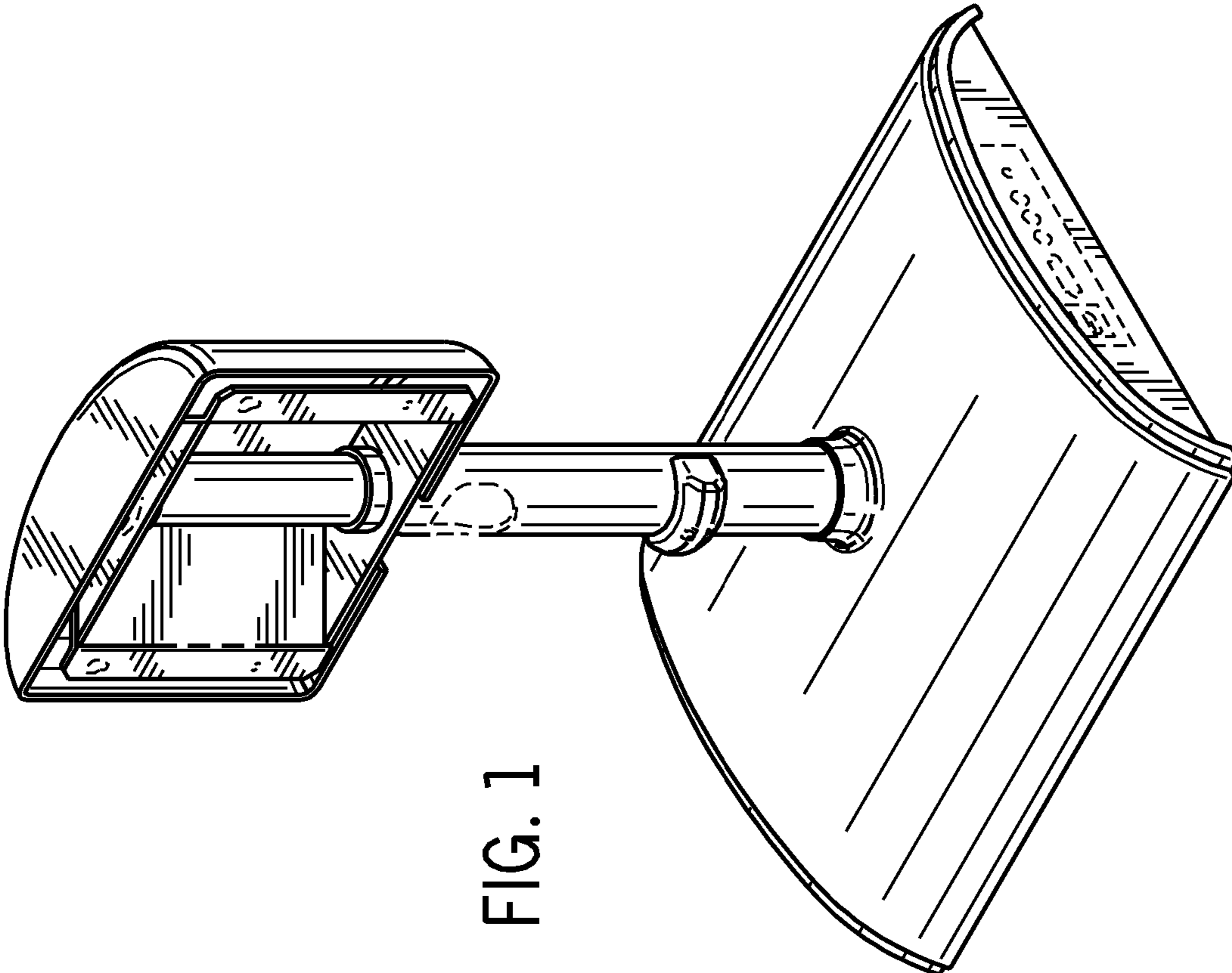


FIG. 1

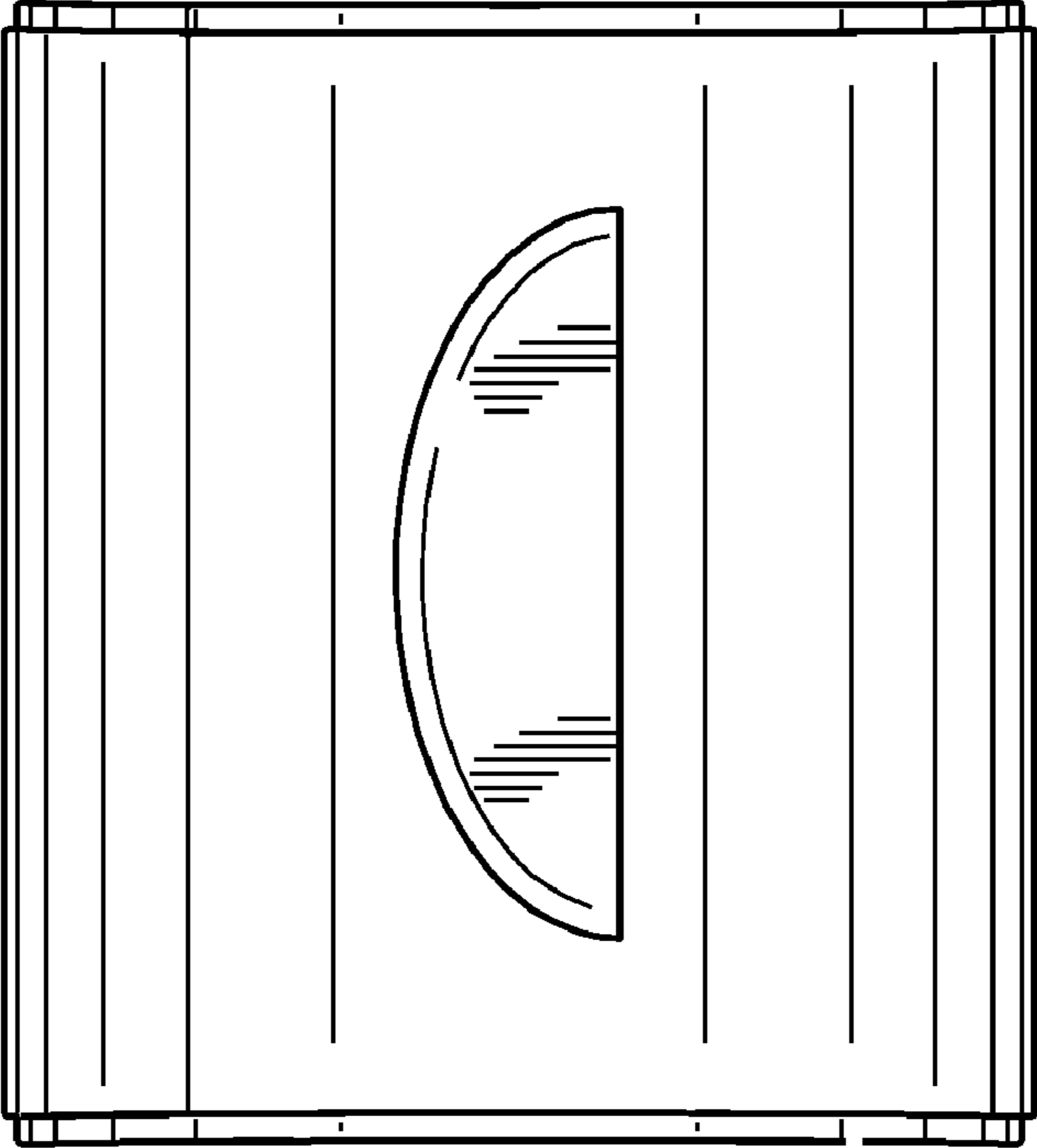


FIG. 4

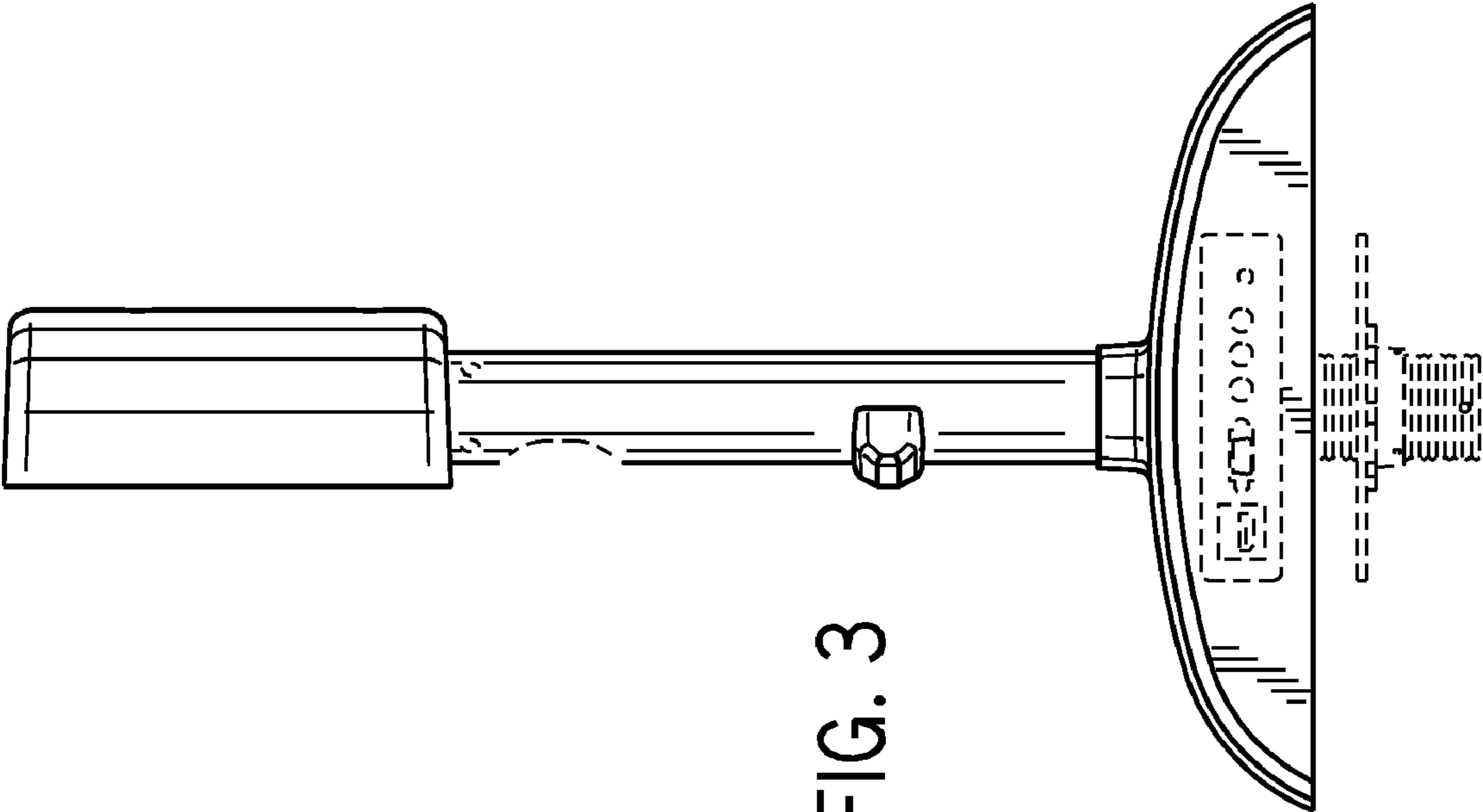


FIG. 3

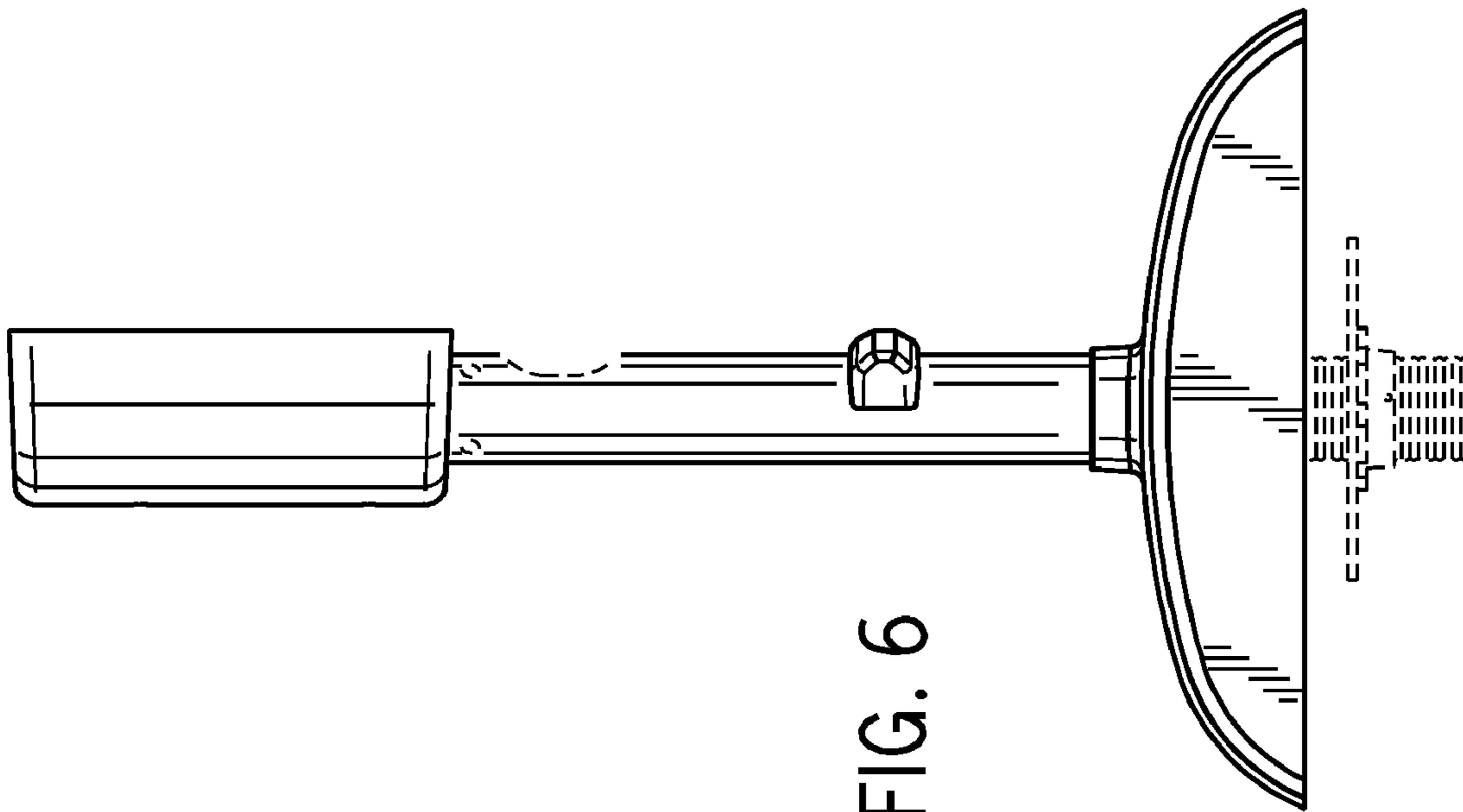


FIG. 6

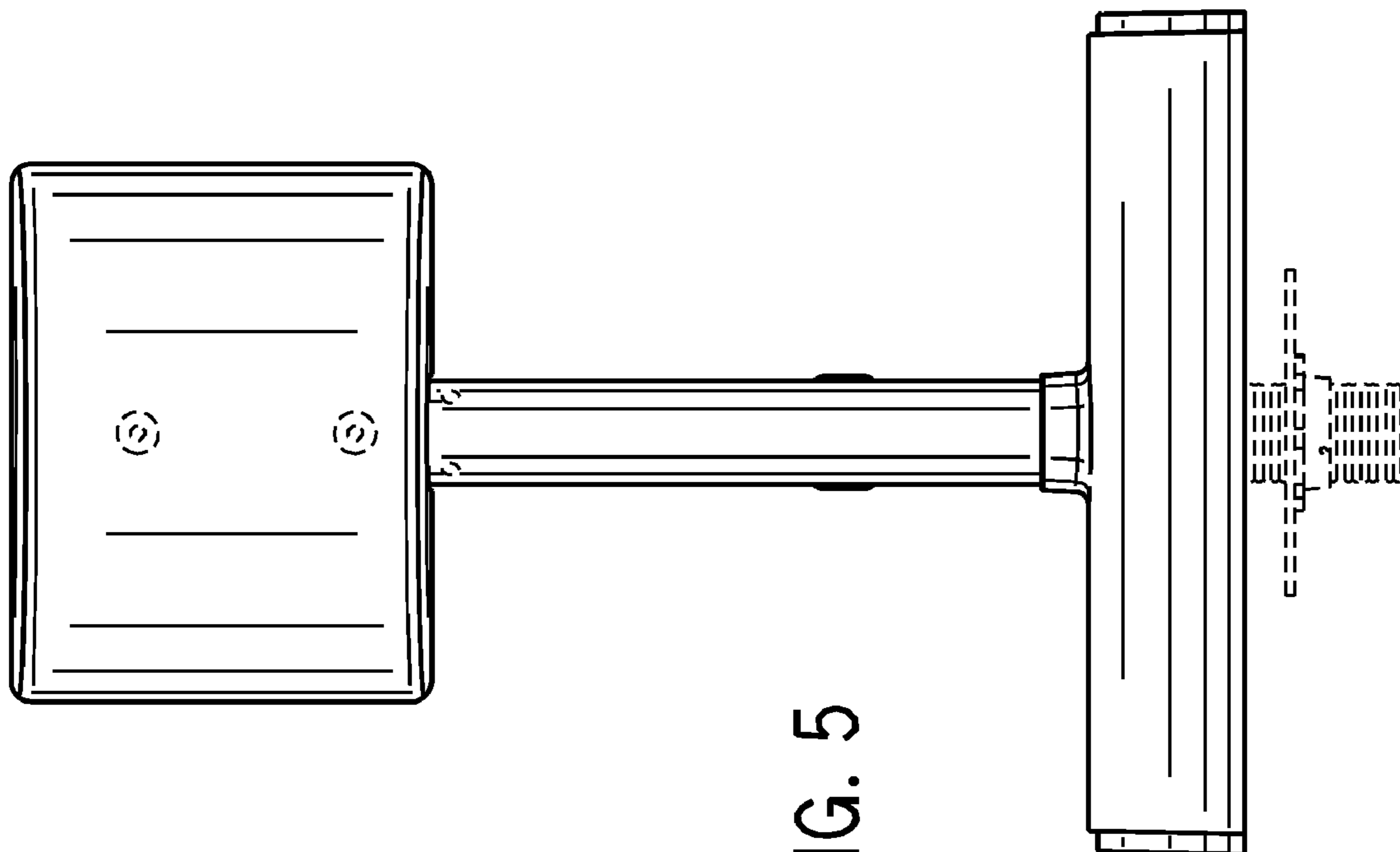


FIG. 5

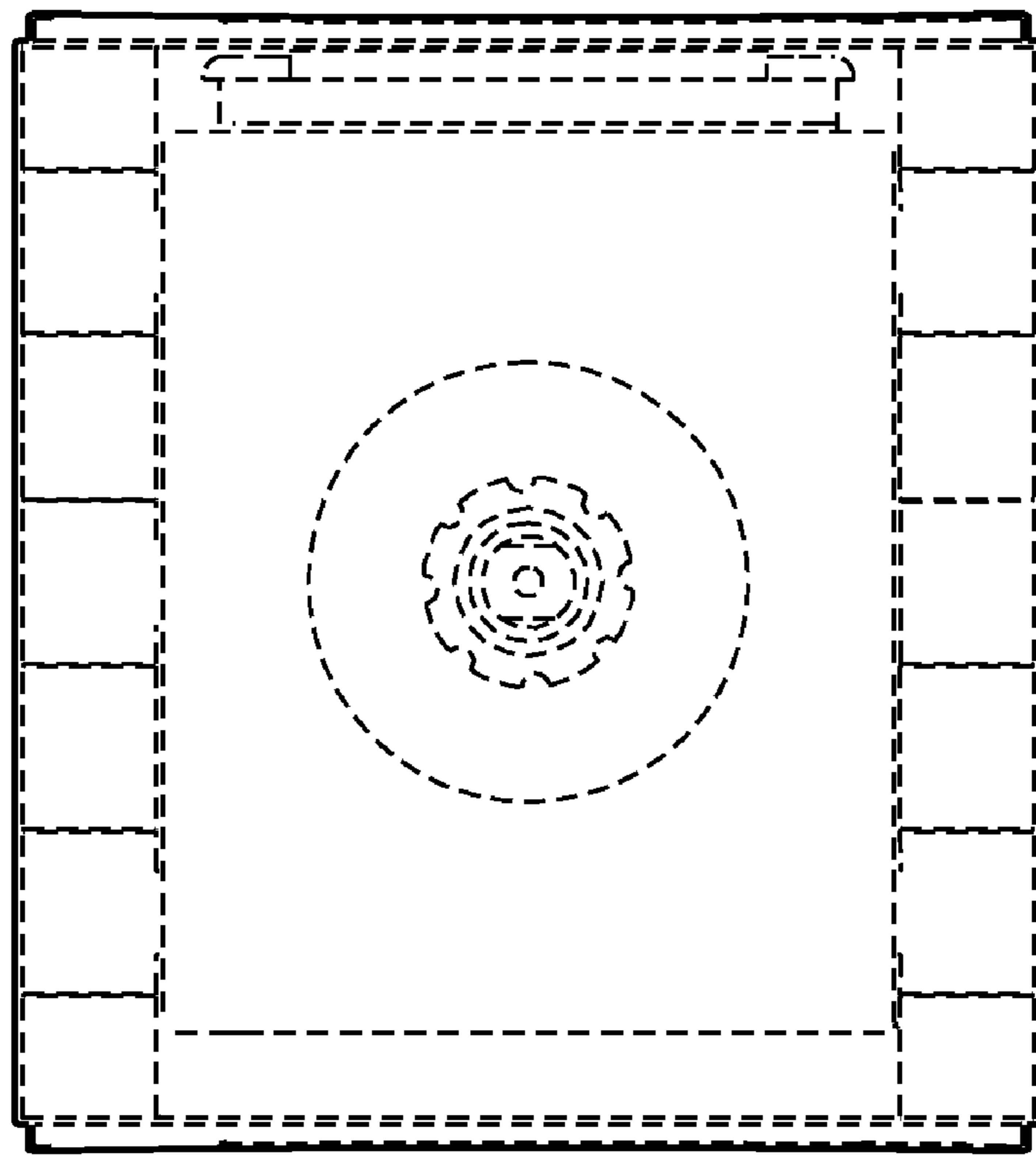


FIG. 7