



US00D598458S

(12) **United States Design Patent**
Li

(10) **Patent No.:** **US D598,458 S**

(45) **Date of Patent:** **** Aug. 18, 2009**

(54) **HOLDING UNIT**

(76) **Inventor:** **Chin-Chu Li**, 18F, No. 71, Sec. 2,
Dunhua S. Rd., Taipei 106 (TW)

(**) **Term:** **14 Years**

(21) **Appl. No.:** **29/311,153**

(22) **Filed:** **Jan. 5, 2009**

(51) **LOC (9) Cl.** **08-07**

(52) **U.S. Cl.** **D14/451**

(58) **Field of Classification Search** D14/447,
D14/448, 451, 452, 457, 459, 460, 461, 239,
D14/251, 253, 224.1, 125, 126, 432, 434,
D14/439, 371-382; D8/354, 363, 373, 380;
D19/90, 91; D18/4.4, 4.5, 4.6, 12; D6/300,
D6/310, 312, 313, 314, 449, 512; D13/139.5;
D21/333; D10/74; D12/415; 248/917-924,
248/675, 767, 678, 447, 122.1, 176.1, 176.3,
248/205.5, 205.8, 324; 312/323.3; 379/446,
379/454, 455; 361/679.02, 679.06, 679.07,
361/679.21, 679.22, 679.24, 679.26, 679,
361/3, 679.46, 679.49, 679.55, 679.56, 679.58,
361/679.6, 693, 697, 809, 810, 825, 827
See application file for complete search history.

(56) **References Cited**

U.S. PATENT DOCUMENTS

D445,457 S * 7/2001 Brumby D19/91
6,378,830 B1 * 4/2002 Lu 248/273.1
D478,088 S * 8/2003 Hamouz D14/451

D507,270 S * 7/2005 Ozolins et al. D14/375
7,124,984 B2 * 10/2006 Yokouchi et al. 248/125.8
D539,273 S * 3/2007 Fujii D14/239
7,195,214 B2 * 3/2007 Lee et al. 248/125.8
D547,755 S * 7/2007 Wang et al. D14/239
2004/0188573 A1 * 9/2004 Weatherly 248/125.1
2006/0175476 A1 * 8/2006 Hasegawa et al. 248/125.1
2007/0205340 A1 * 9/2007 Jung 248/125.9
2007/0252919 A1 * 11/2007 McGreevy 348/825
2008/0068784 A1 * 3/2008 Bouissiere 361/681

* cited by examiner

Primary Examiner—Jennifer Rivard

Assistant Examiner—Angela J Lee

(74) *Attorney, Agent, or Firm*—Rosenberg, Klein & Lee

(57) **CLAIM**

The ornamental design for a “holding unit,” as shown and described.

DESCRIPTION

FIG. 1 is a perspective view of a “holding unit” showing my new design;

FIG. 2 is a front view thereof;

FIG. 3 is a rear view thereof;

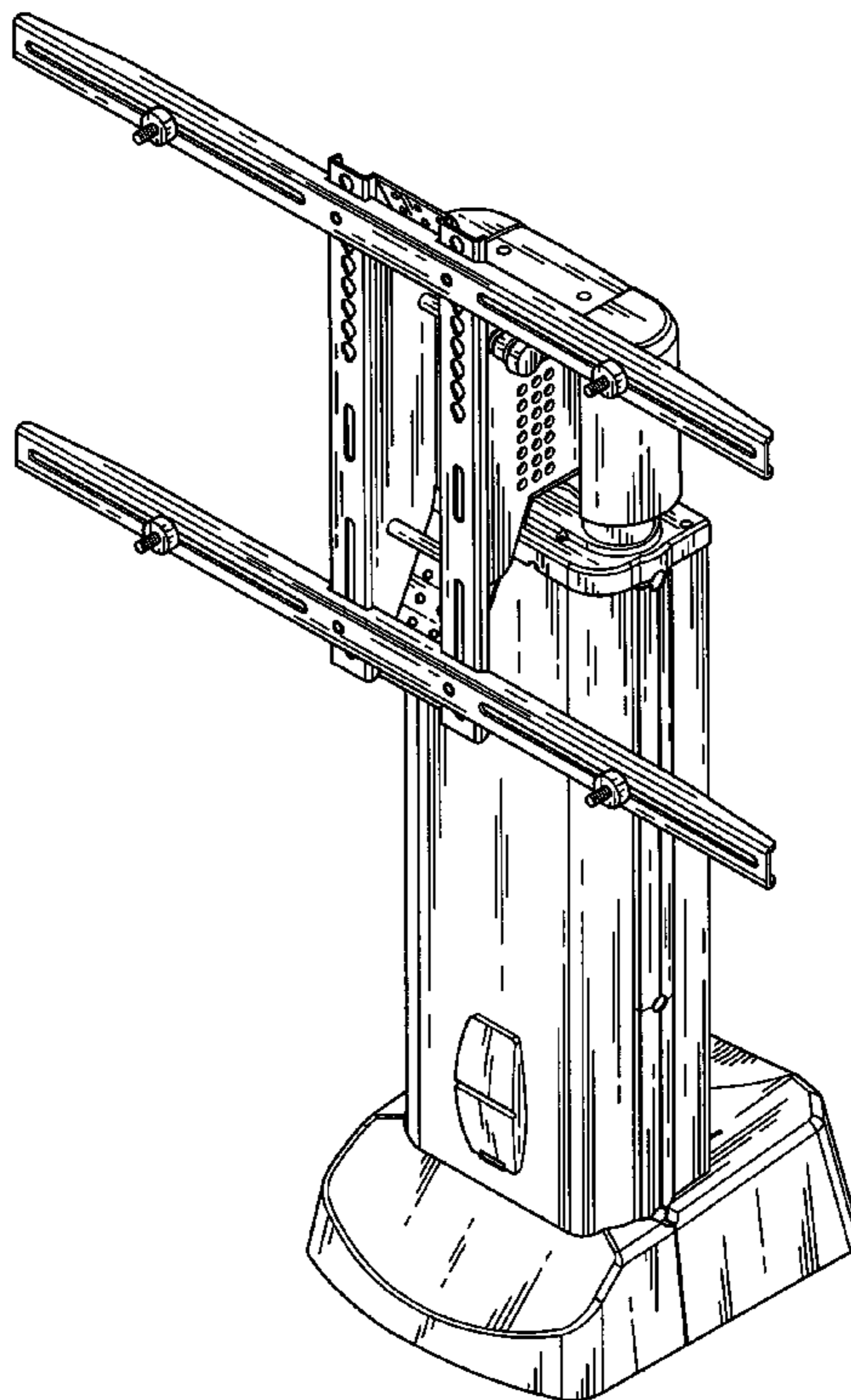
FIG. 4 is a left side view thereof;

FIG. 5 is a right side view thereof;

FIG. 6 is a top view thereof; and,

FIG. 7 is a bottom view thereof.

1 Claim, 6 Drawing Sheets



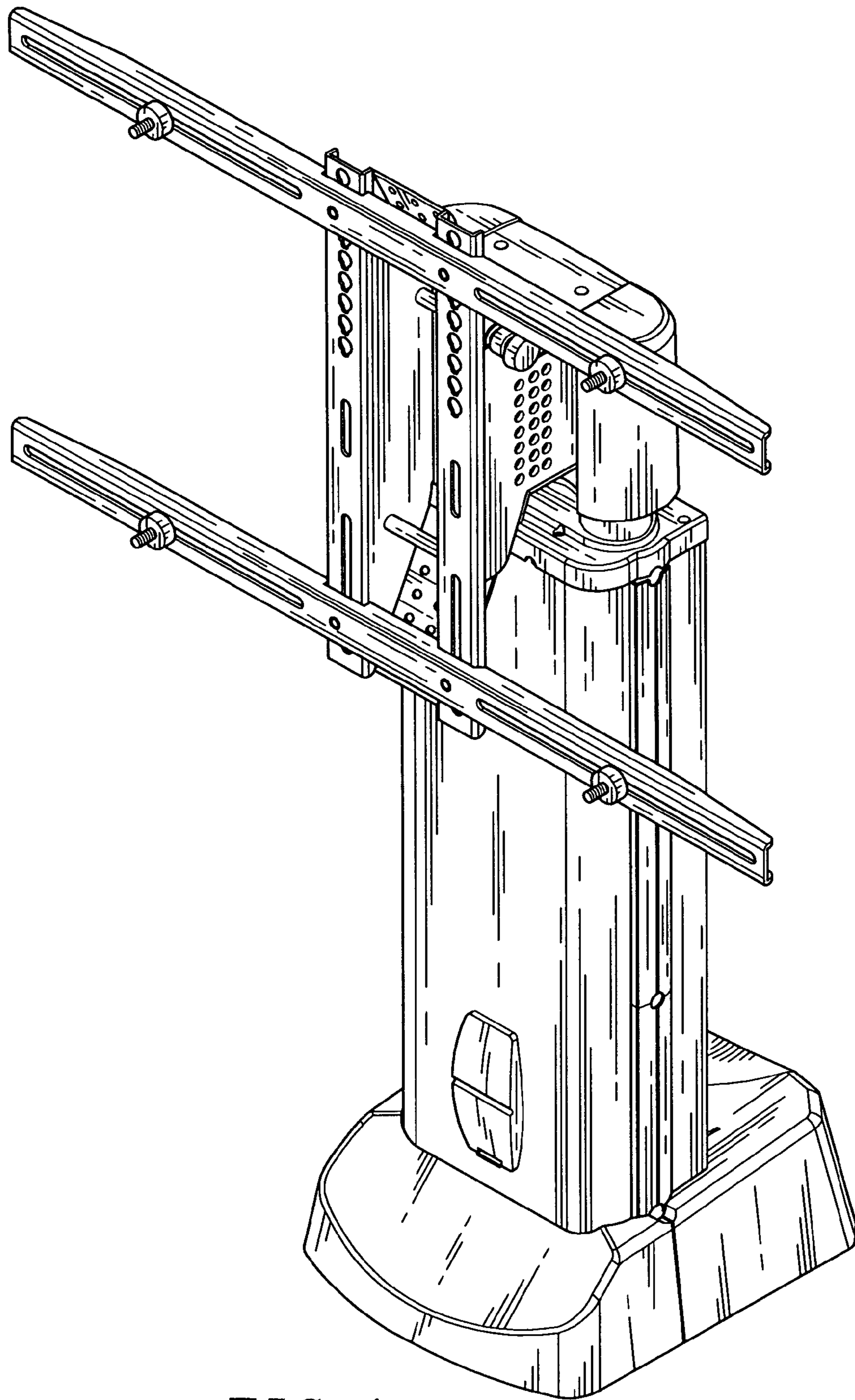


FIG. 1

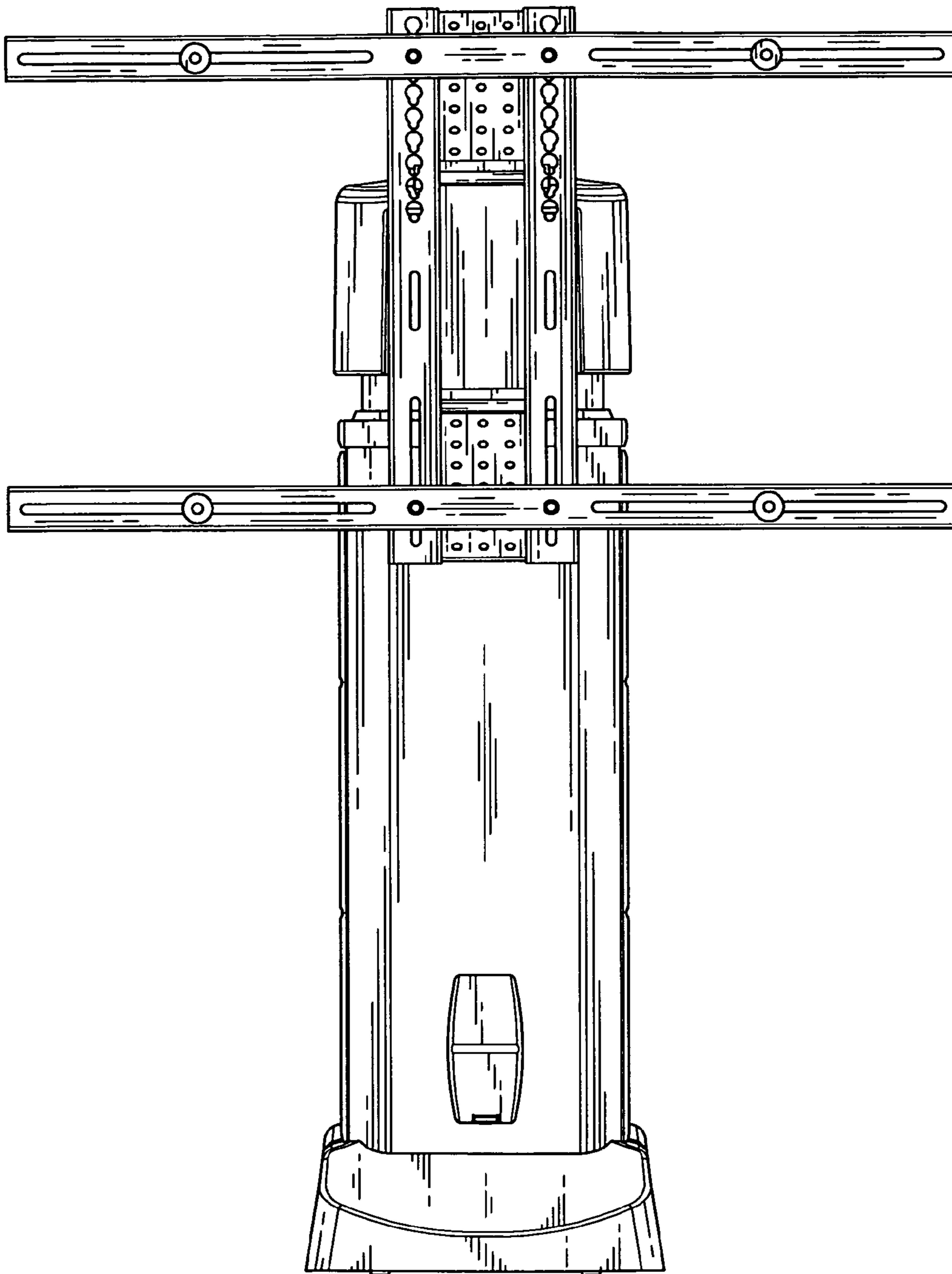


FIG. 2

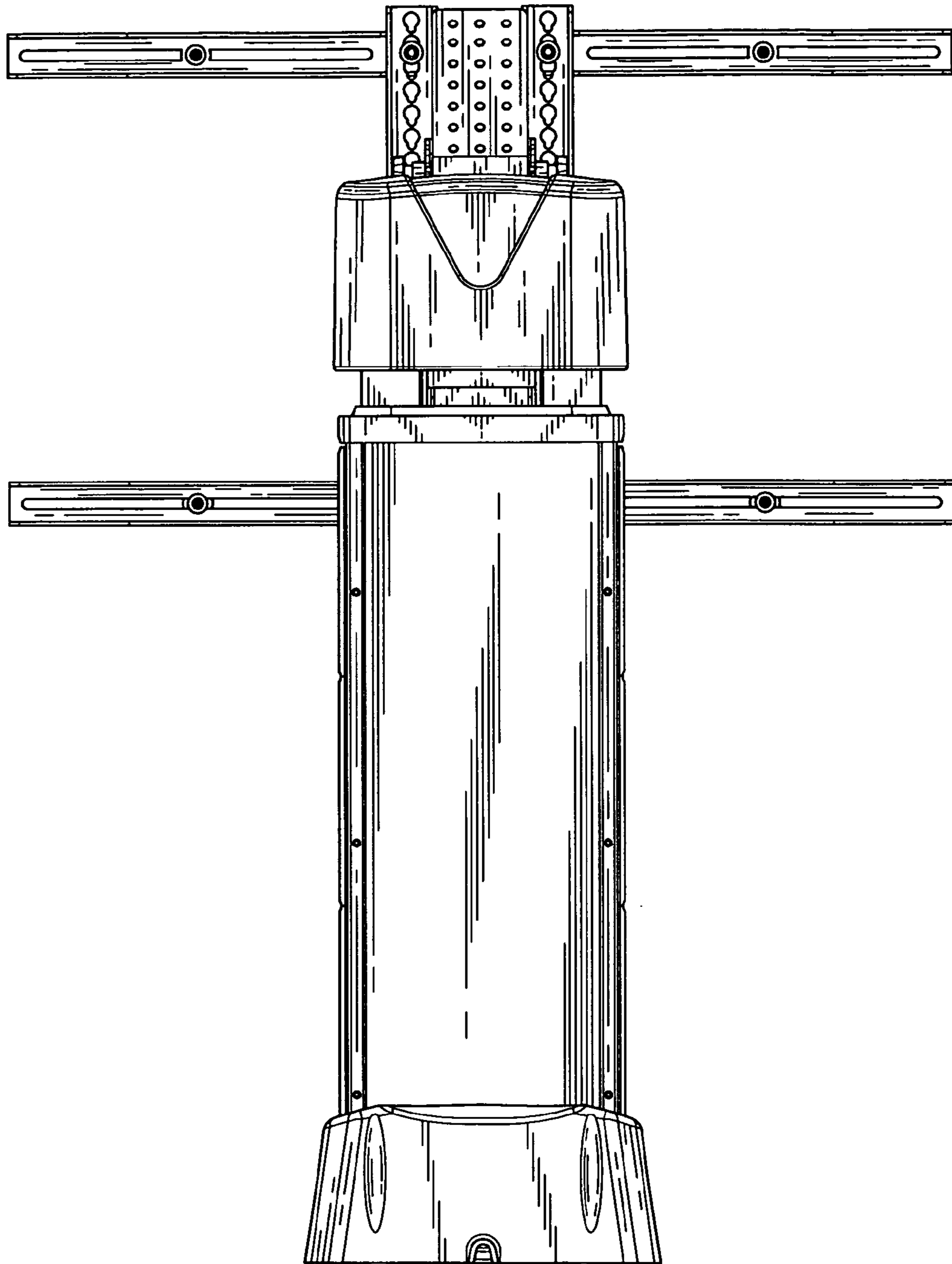


FIG. 3

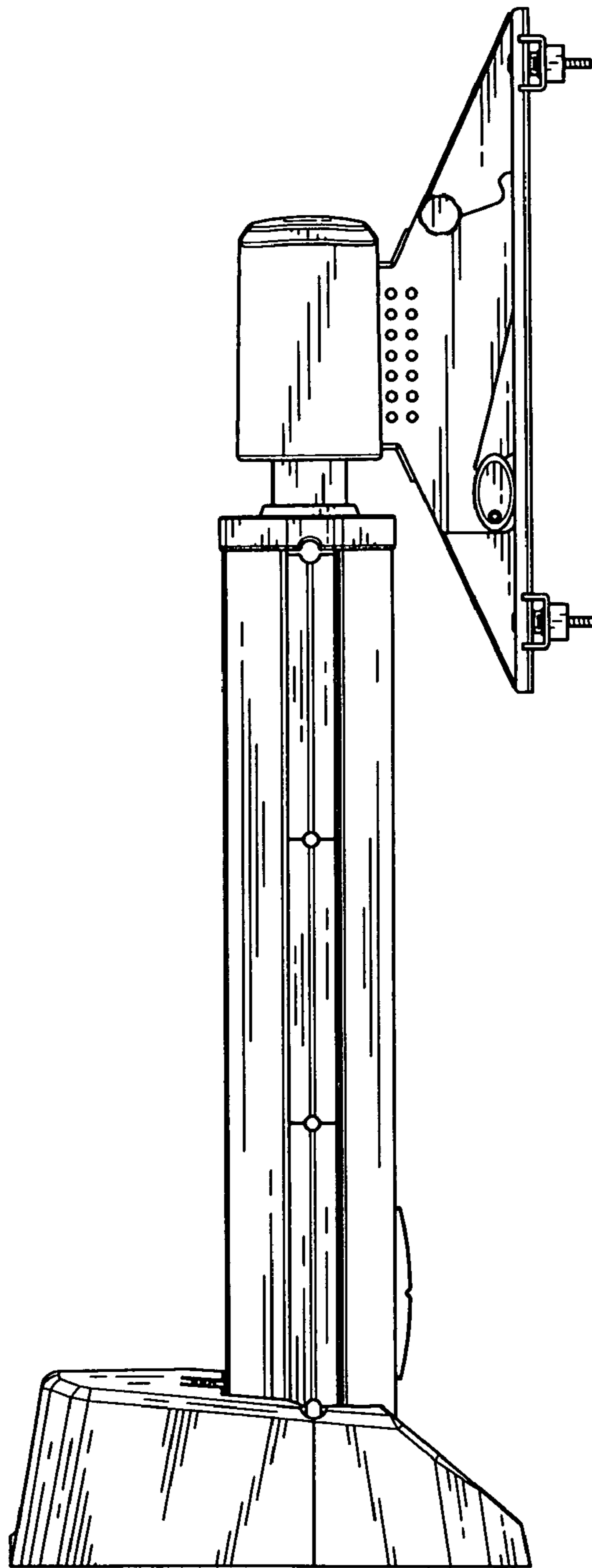


FIG. 4

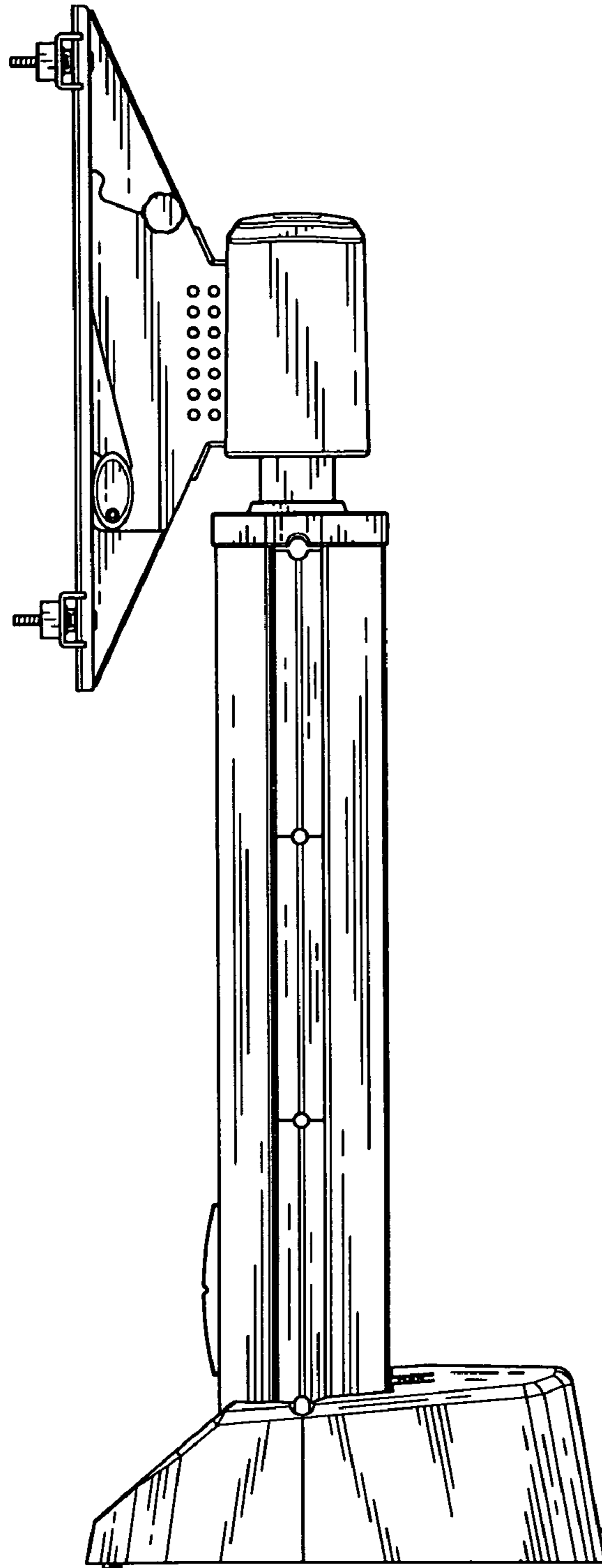


FIG. 5

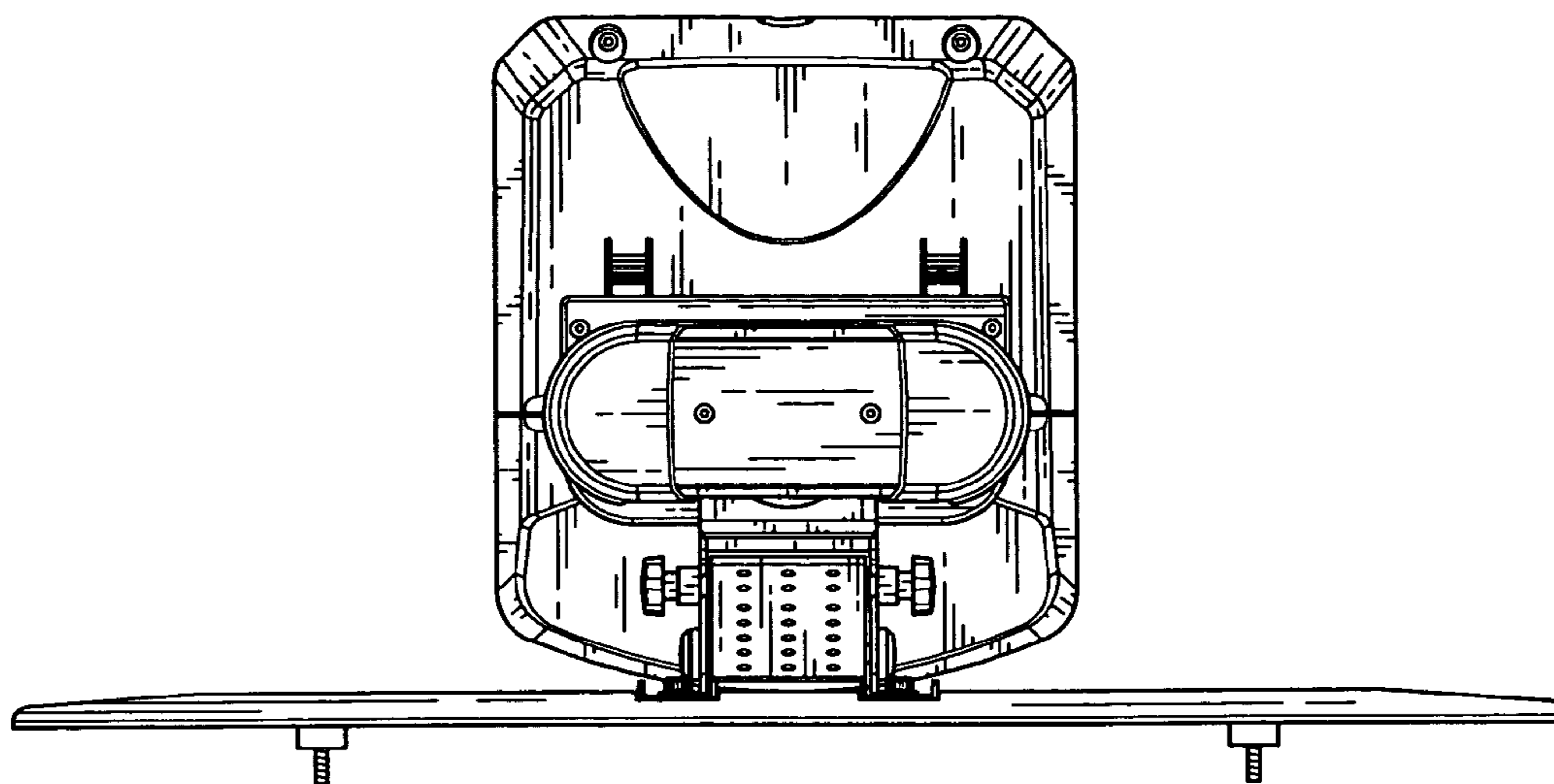


FIG. 6

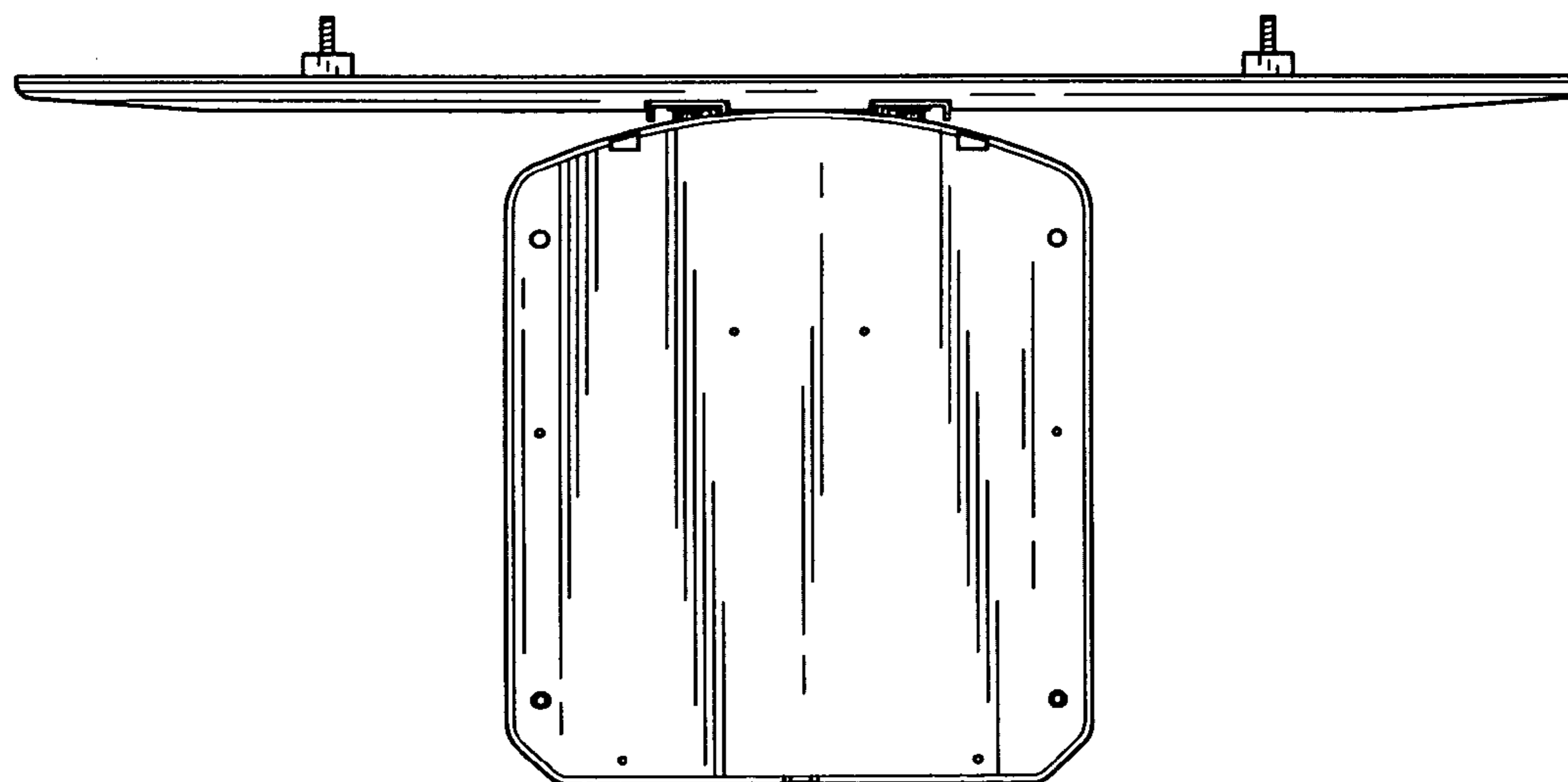


FIG. 7