

US00D598453S

(12) **United States Design Patent**
Solomon et al.

(10) **Patent No.:** **US D598,453 S**

(45) **Date of Patent:** **** Aug. 18, 2009**

(54) **COMPUTER DOCKING STATION**

(75) Inventors: **Mark C. Solomon**, Corvallis, OR (US);
Jonathan R. Harris, Cypress, TX (US);
Kevin L. Massaro, Houston, TX (US)

(73) Assignee: **Hewlett-Packard Development Company, L.P.**, Houston, TX (US)

(**) Term: **14 Years**

(21) Appl. No.: **29/320,403**

(22) Filed: **Jun. 26, 2008**

Related U.S. Application Data

(63) Continuation of application No. 29/241,113, filed on Oct. 24, 2005, now Pat. No. Des. 575,786.

(51) **LOC (9) Cl.** **14-02**

(52) **U.S. Cl.** **D14/434**

(58) **Field of Classification Search** D14/434,
D14/447, 432, 315; D13/107, 199, 108,
D13/118, 109, 110, 119, 184; 361/686, 681,
361/725-727, 683, 818; 439/638, 372, 352,
439/639, 248, 654, 341; 248/917, 175, 918,
248/924; 364/708.1; 710/303, 304; 312/223.2;
345/169; 320/107, 110, 113; 16/334; 403/93,
403/96; 428/317.1, 318.4, 319.1, 902, 922
See application file for complete search history.

(56) **References Cited**

U.S. PATENT DOCUMENTS

5,408,382	A *	4/1995	Schultz et al.	361/686
5,436,792	A *	7/1995	Leman et al.	361/686
5,544,010	A *	8/1996	Schultz et al.	361/686
5,619,397	A *	4/1997	Honda et al.	361/686
5,645,261	A *	7/1997	Glynn	248/551
5,774,332	A *	6/1998	Ruch et al.	361/686
D412,494	S *	8/1999	Tamaki et al.	D14/314

6,043,976	A *	3/2000	Su	361/686
6,152,414	A *	11/2000	Jondrow	248/346.03
6,208,508	B1 *	3/2001	Ruch et al.	361/686
6,266,241	B1 *	7/2001	Van Brocklin et al.	361/687
6,282,082	B1 *	8/2001	Armitage et al.	361/681
D454,131	S *	3/2002	Lord	D14/434
D458,600	S *	6/2002	Freitag et al.	D14/314
D467,584	S *	12/2002	Sabella et al.	D14/385
D472,900	S *	4/2003	Matsumoto	D14/447
6,545,864	B2 *	4/2003	Davis, IV	361/683
6,556,435	B1 *	4/2003	Helot et al.	361/686
6,581,420	B1 *	6/2003	Ling et al.	70/58
6,608,749	B2 *	8/2003	Hubbard	361/683
6,667,881	B2 *	12/2003	Oross et al.	361/686
6,711,921	B1 *	3/2004	Yang	70/58
2002/0159231	A1 *	10/2002	Nguyen et al.	361/686
2003/0128505	A1 *	7/2003	Yin et al.	361/686
2003/0147209	A1 *	8/2003	Oross et al.	361/686

* cited by examiner

Primary Examiner—Susan Moon Lee

(57) **CLAIM**

We claim the ornamental design for a computer docking station, as shown and described.

DESCRIPTION

FIG. 1 is a perspective view taken from the top and right side of a computer docking station showing the new design;

FIG. 2 is a front view thereof;

FIG. 3 is a right side view thereof;

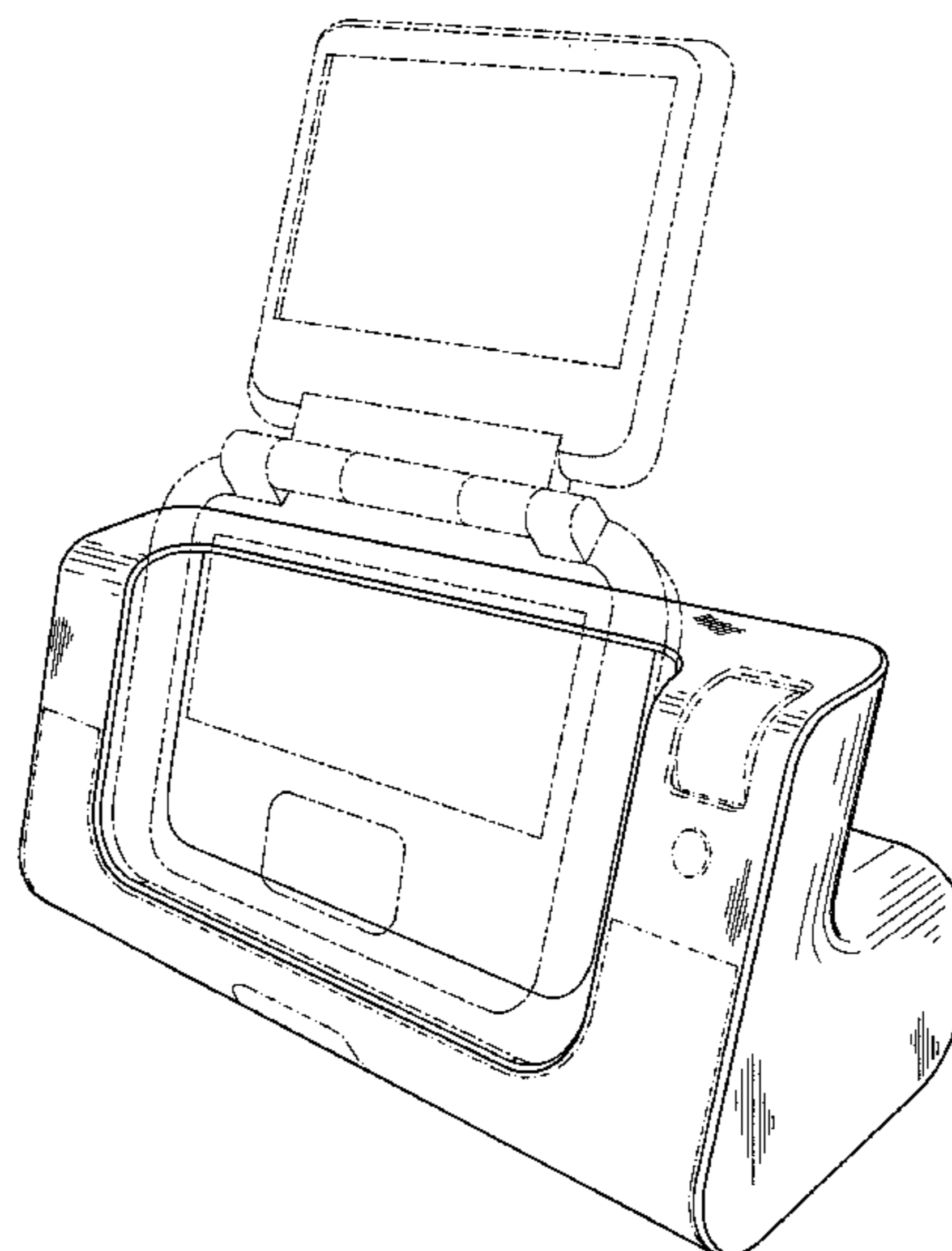
FIG. 4 is a left view thereof;

FIG. 5 is a rear view thereof; and,

FIG. 6 is a top view thereof.

The broken lines are shown for illustrative purposes only and form no part of the claimed design where illustrated.

1 Claim, 3 Drawing Sheets



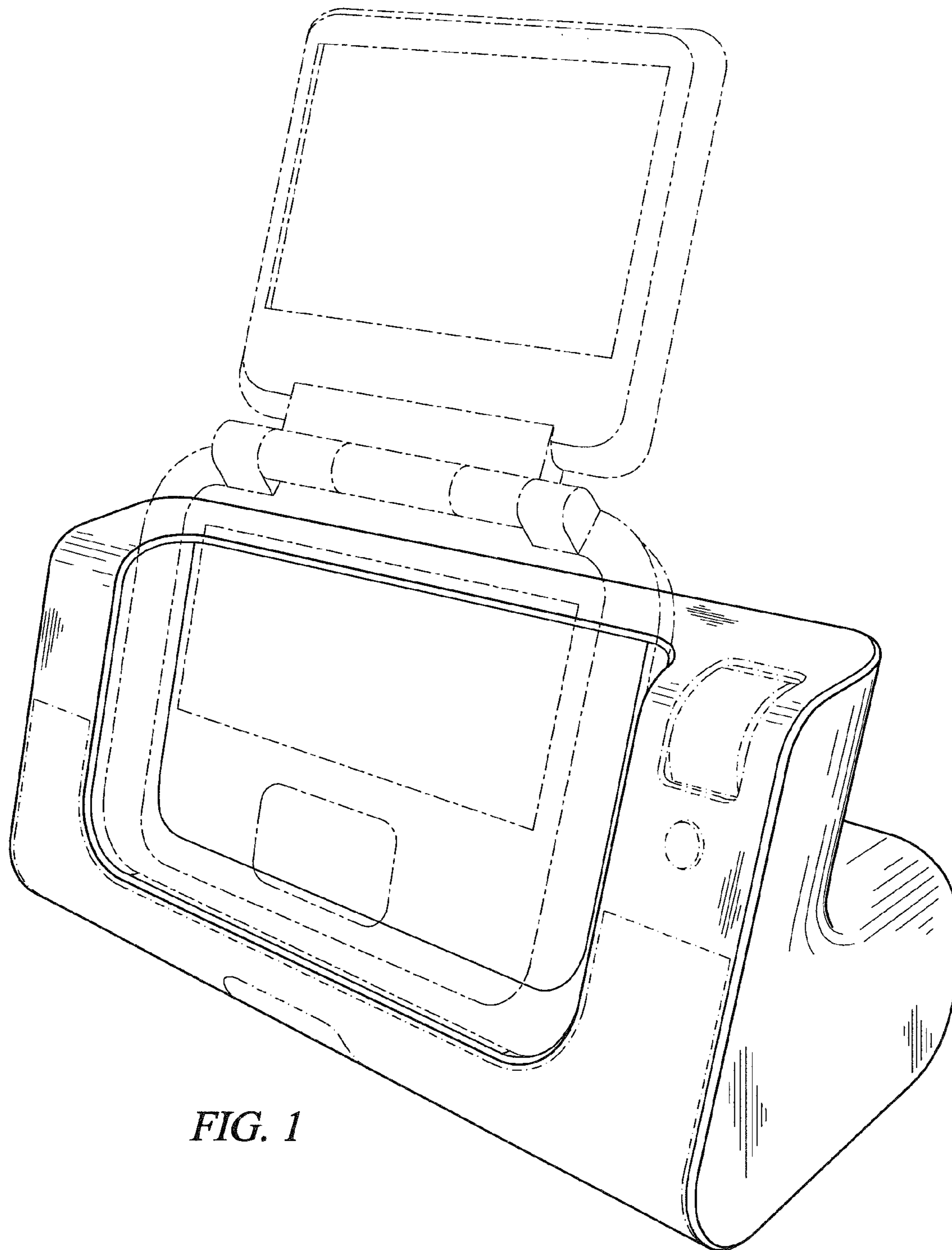


FIG. 1

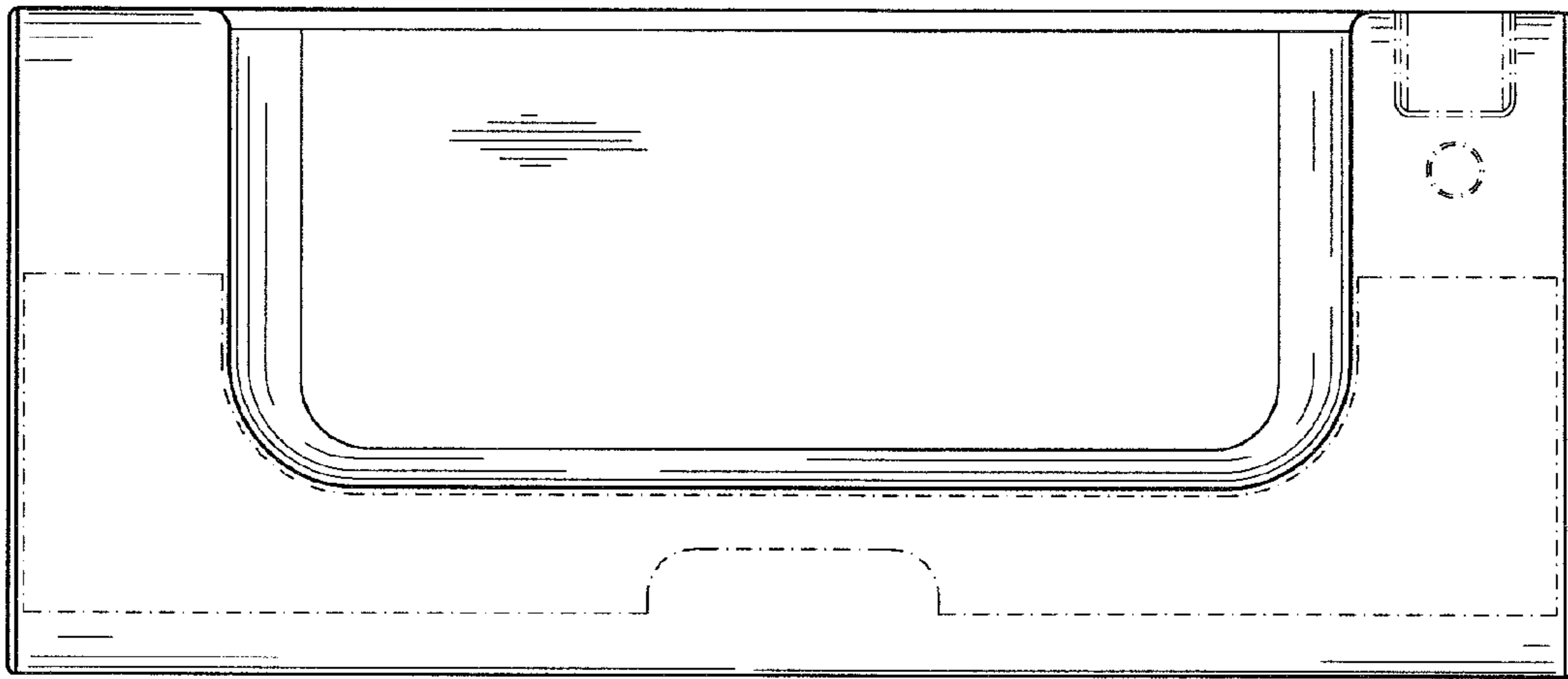


FIG. 2

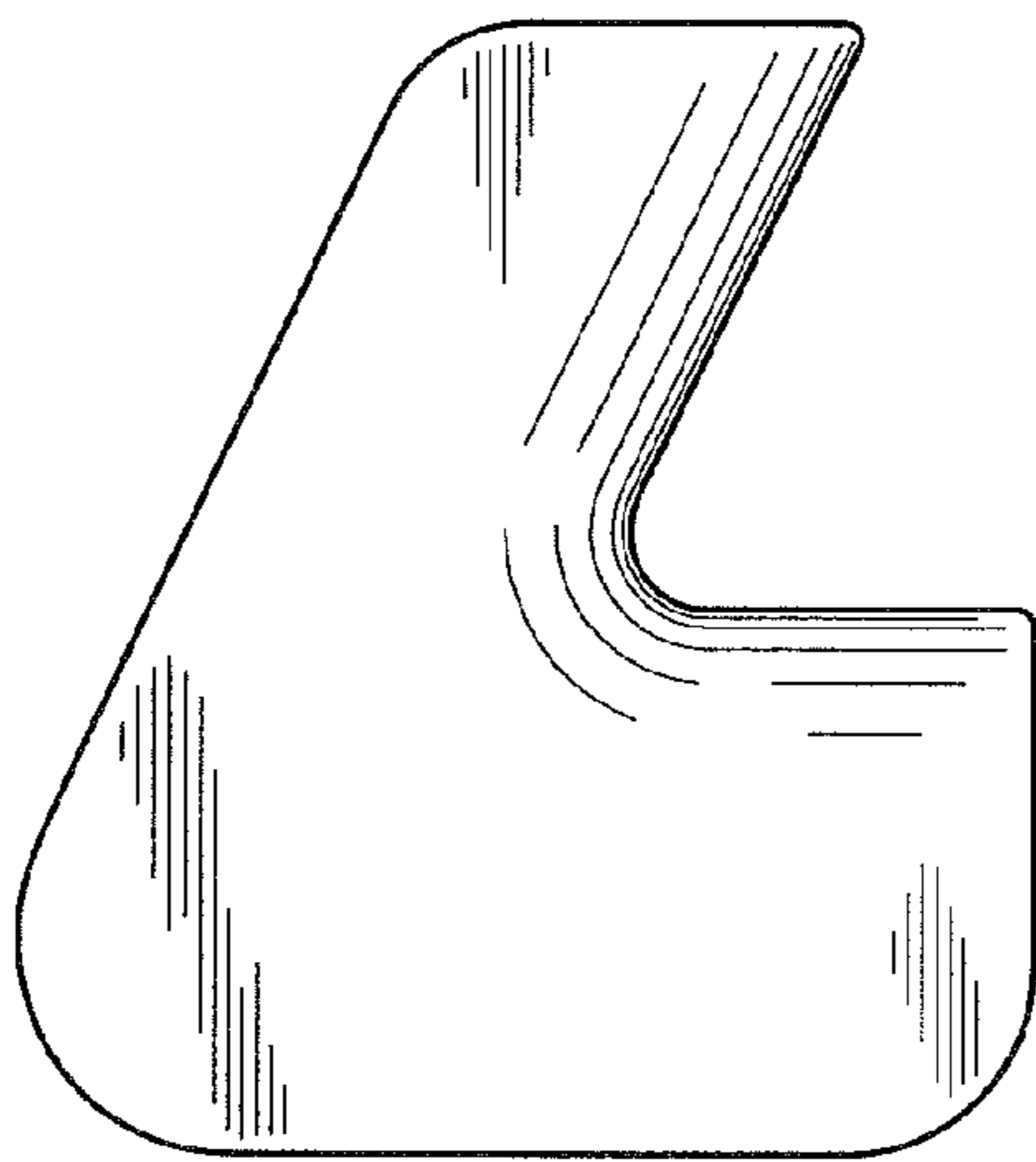


FIG. 3

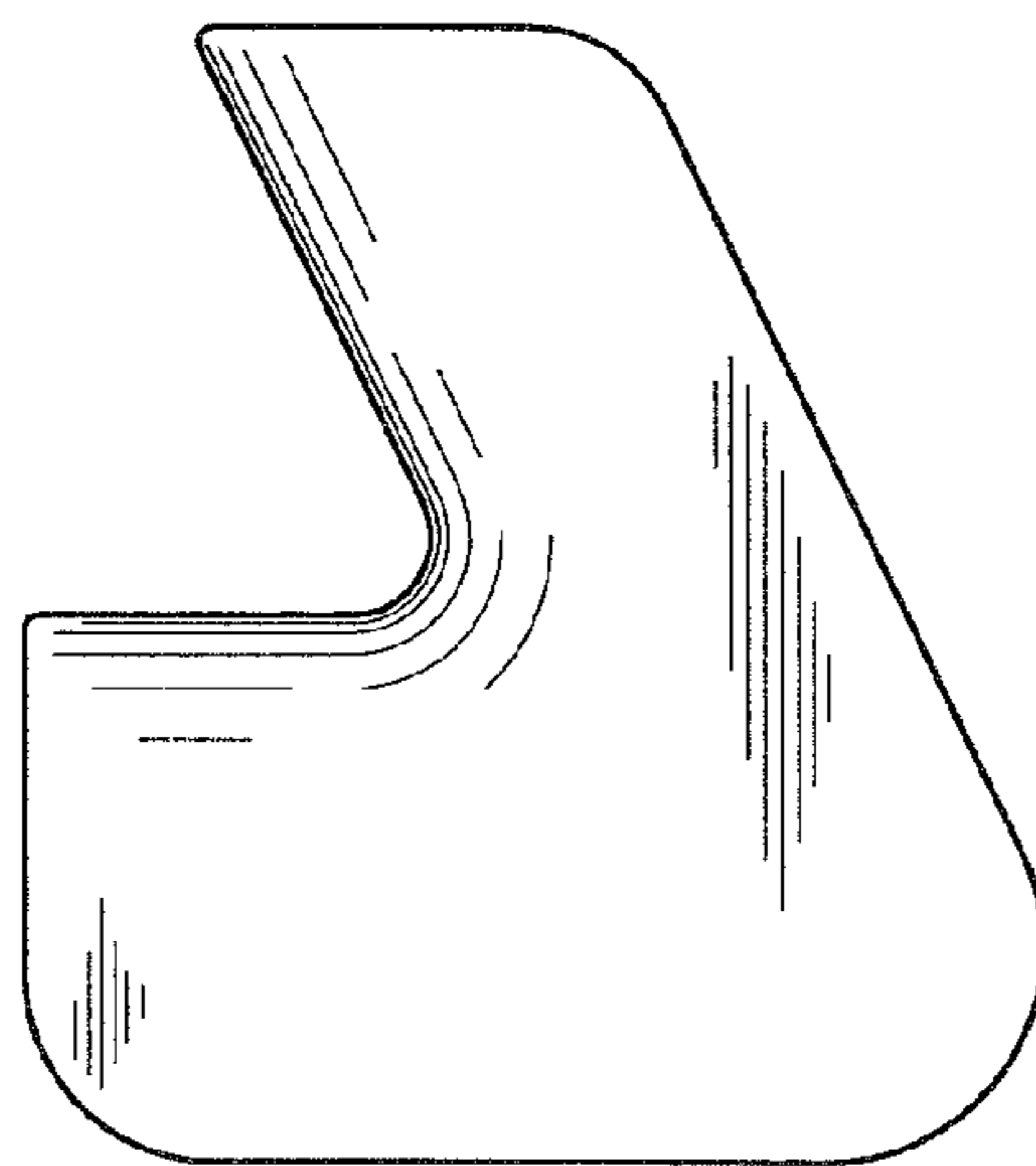


FIG. 4

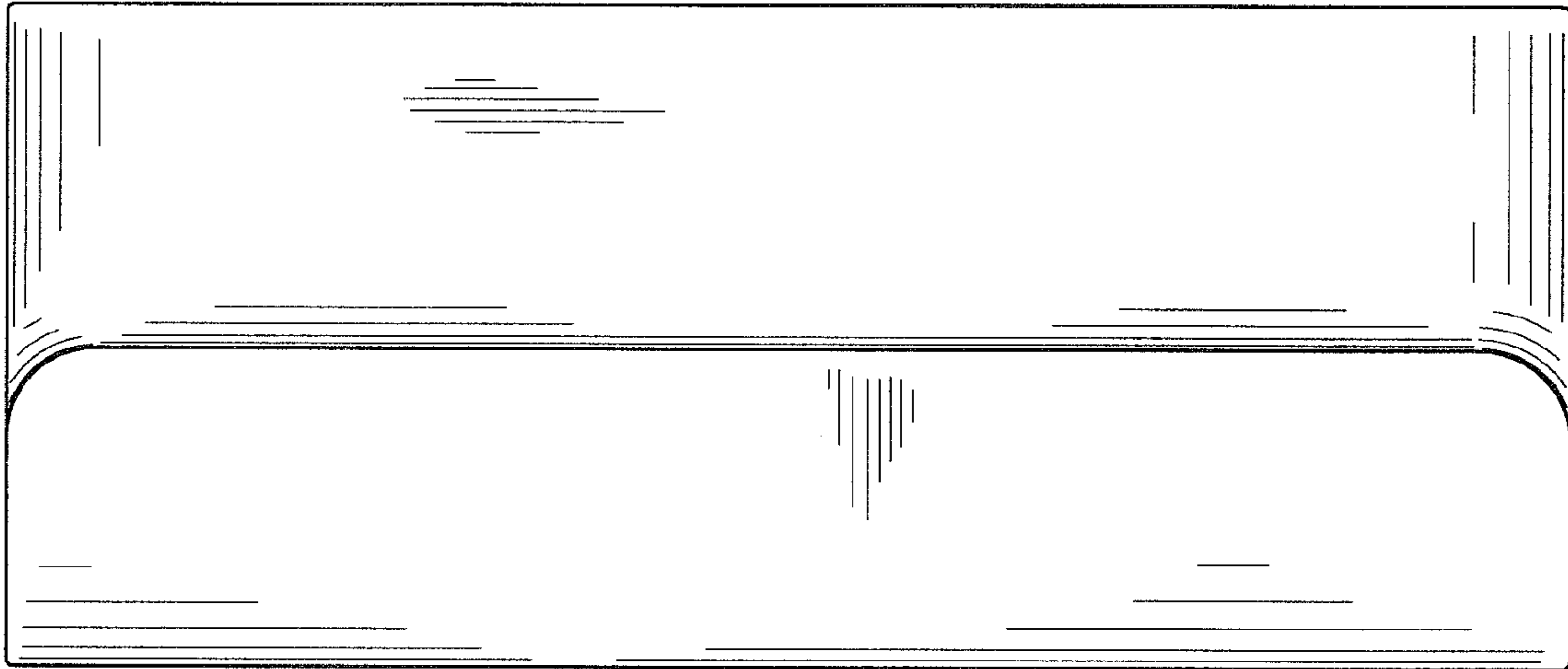


FIG. 5

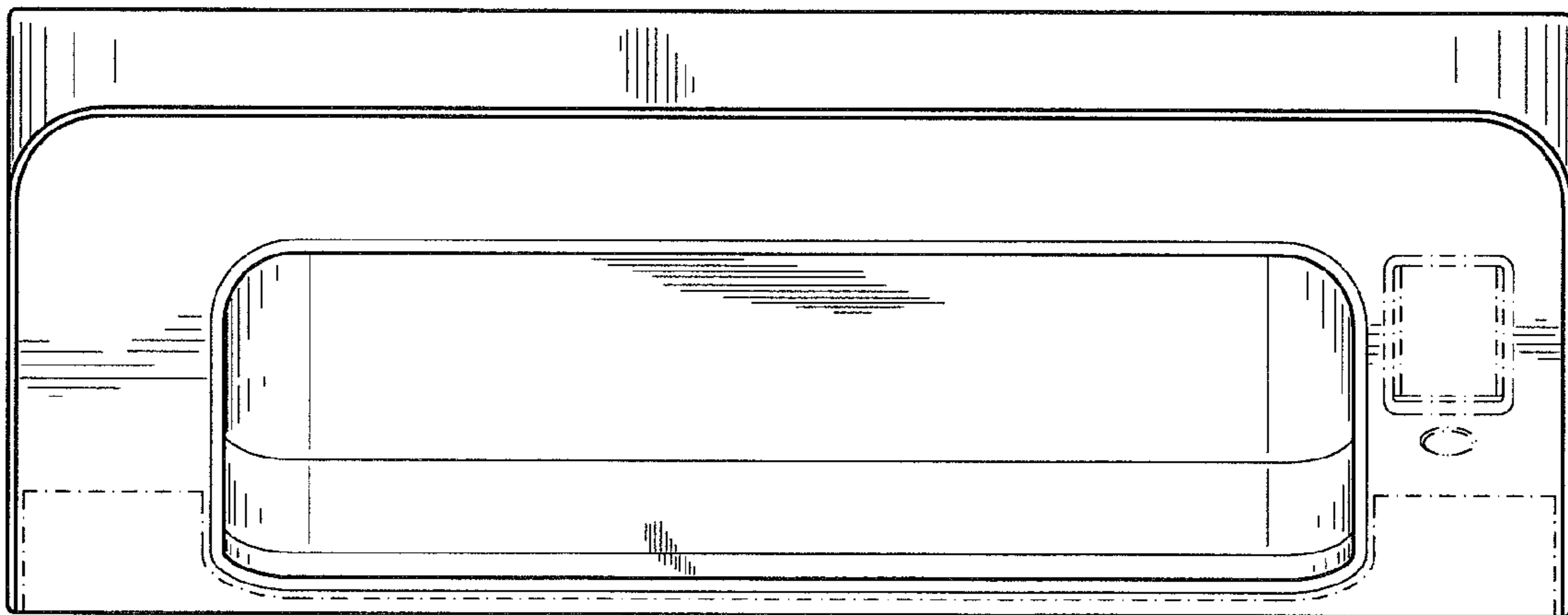


FIG. 6