



US00D598449S

(12) **United States Design Patent**  
**Landry et al.**

(10) **Patent No.:** **US D598,449 S**

(45) **Date of Patent:** **\*\* Aug. 18, 2009**

(54) **ROUTER**

(75) Inventors: **Christian C Landry**, Harvard, MA (US); **Sandro David Klein**, Cypress, CA (US); **Hungbing Chen**, Tustin, CA (US); **Daniel K Harden**, Palo Alto, CA (US); **Hiroto Teranishi**, Palo Alto, CA (US); **David S Benavidez**, Santa Clara, CA (US)

(73) Assignee: **Cisco Technology, Inc.**, San Jose, CA (US)

(\*\*) Term: **14 Years**

(21) Appl. No.: **29/321,448**

(22) Filed: **Jul. 16, 2008**

(51) **LOC (9) Cl.** ..... **14-02**

(52) **U.S. Cl.** ..... **D14/358**

(58) **Field of Classification Search** ..... D13/184;  
D14/356–358, 432; 361/600, 601, 622, 641,  
361/679, 683, 686, 814; 439/248

See application file for complete search history.

(56) **References Cited**

**U.S. PATENT DOCUMENTS**

D520,500 S \* 5/2006 Storti et al. .... D14/358

D566,115 S \* 4/2008 Swanson et al. .... D14/358

D580,422 S \* 11/2008 Lee ..... D14/358

\* cited by examiner

*Primary Examiner*—Brian N Vinson

(74) *Attorney, Agent, or Firm*—Haynes and Boone, LLP.

(57) **CLAIM**

The ornamental design for a router, as shown and described.

**DESCRIPTION**

FIG. 1 is a perspective view of a router showing our new design;

FIG. 2 is a top plan view thereof;

FIG. 3 is a front elevational view thereof;

FIG. 4 is a rear elevational view thereof;

FIG. 5 is a left side elevational view thereof;

FIG. 6 is a right side elevational view thereof;

FIG. 7 is a bottom plan view thereof;

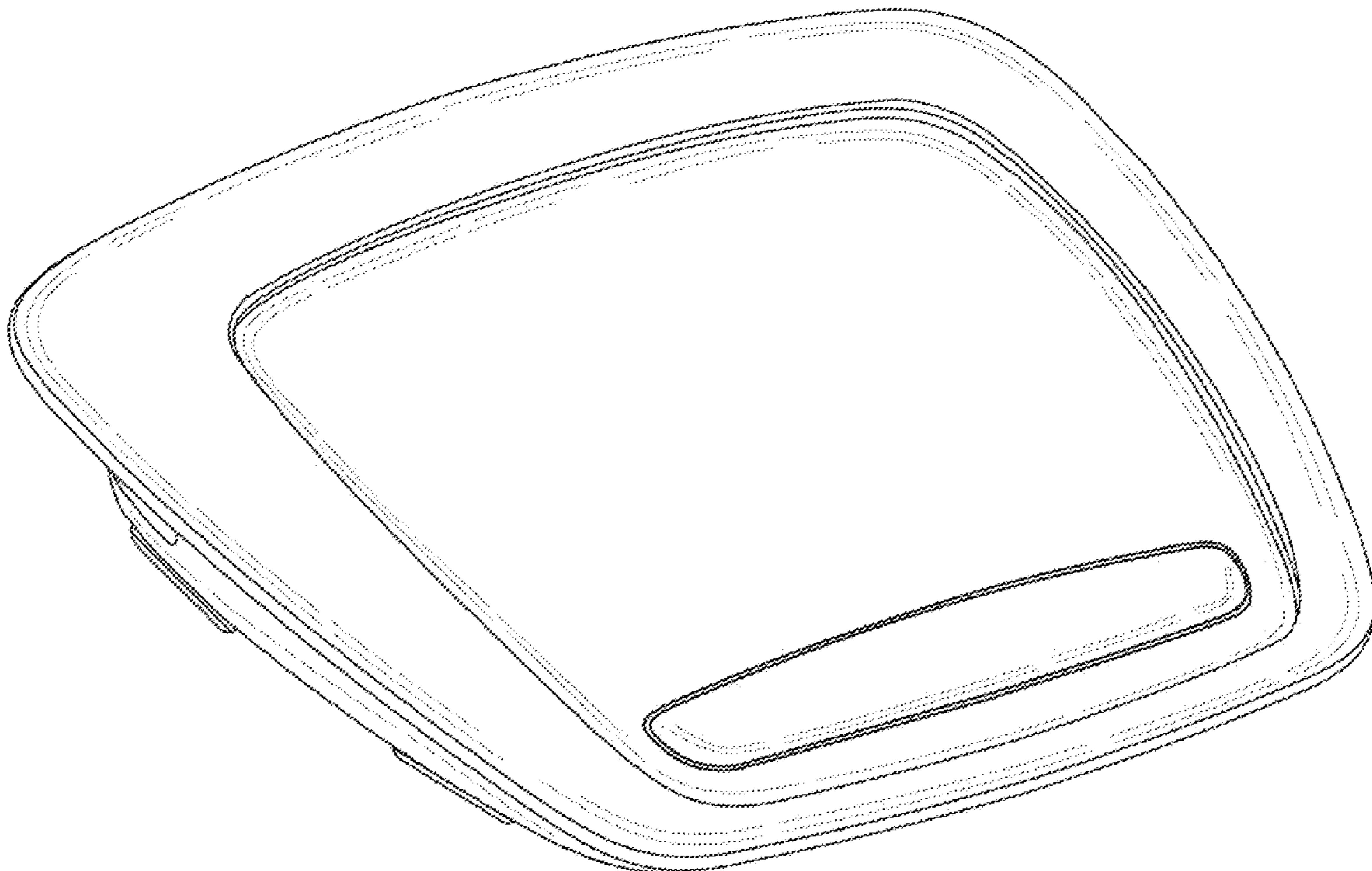
FIG. 8 is a top and front perspective view thereof;

FIG. 9 is vertical cross-sectional view taken along line 9—9 of FIG. 2; and,

FIG. 10 is a vertical cross-sectional view along line 10—10 of FIG. 2.

The portions of the router shown in broken lines are for illustrative purposes only and form no part of the claimed design. The router has an elongated opening along the rear wall penetrating from the front to rear, as well as elongated openings along both sides, which penetrate from side to side.

**1 Claim, 7 Drawing Sheets**



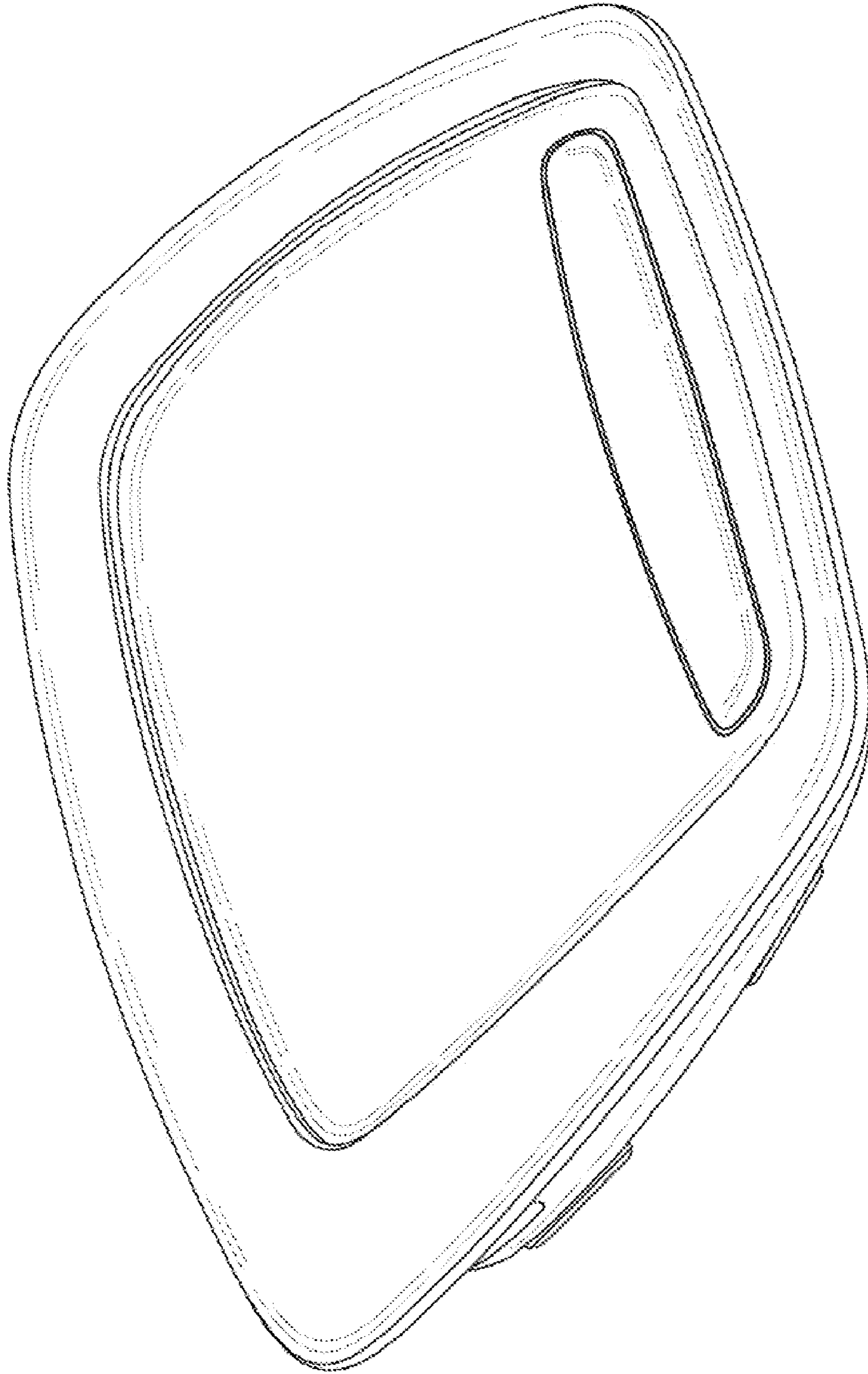


FIG. 1

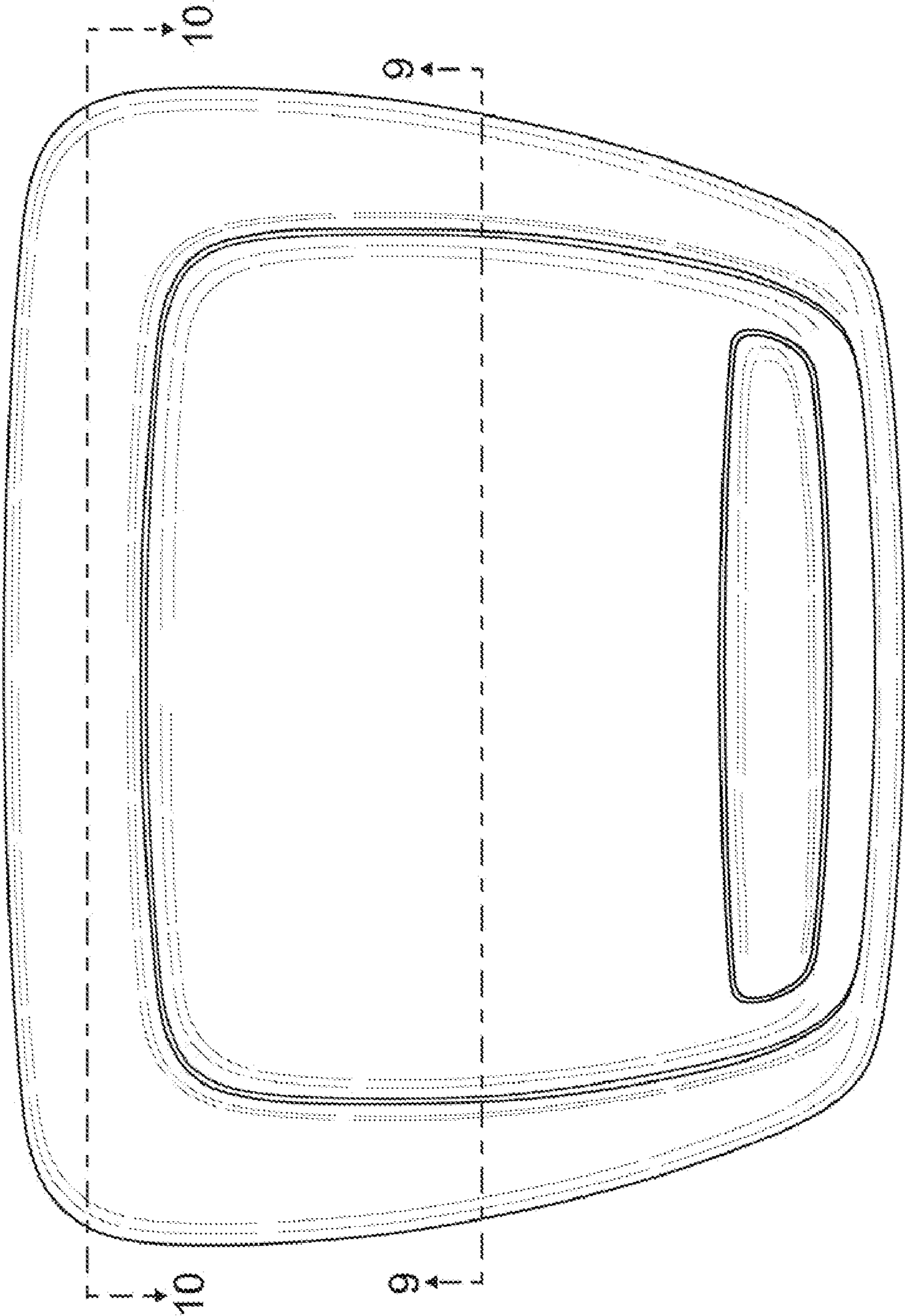


FIG. 2

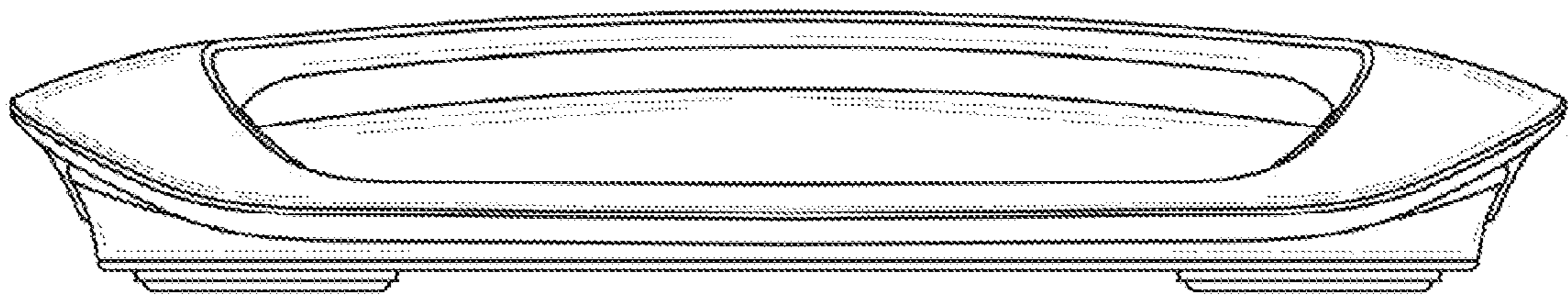


FIG. 3

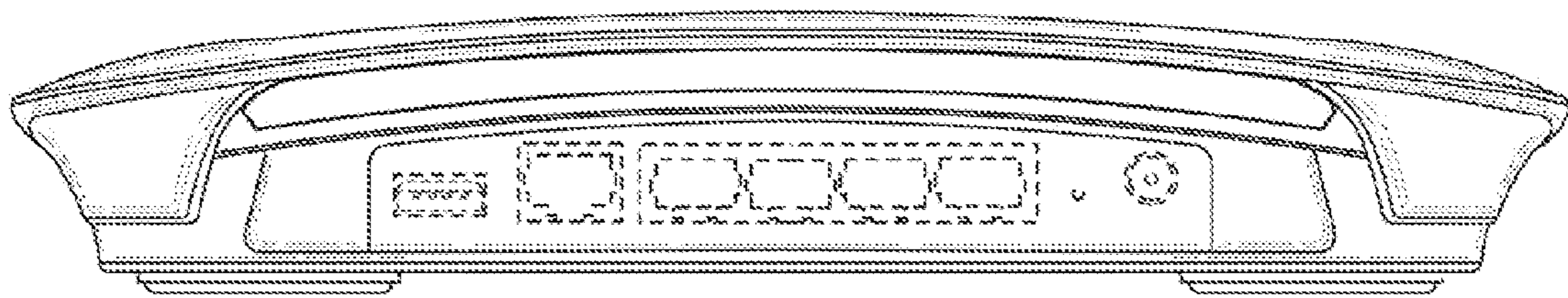


FIG. 4

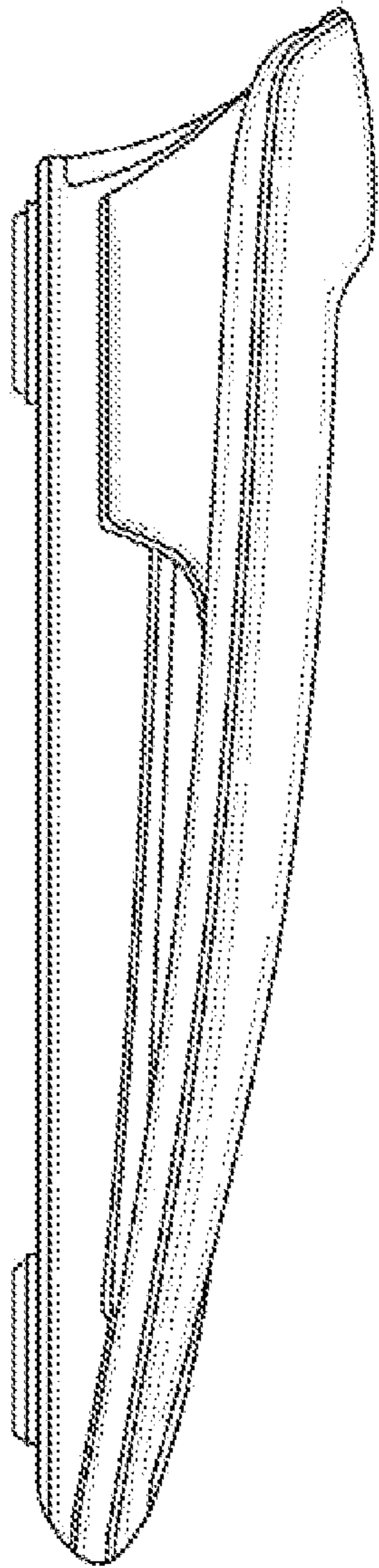


FIG. 5

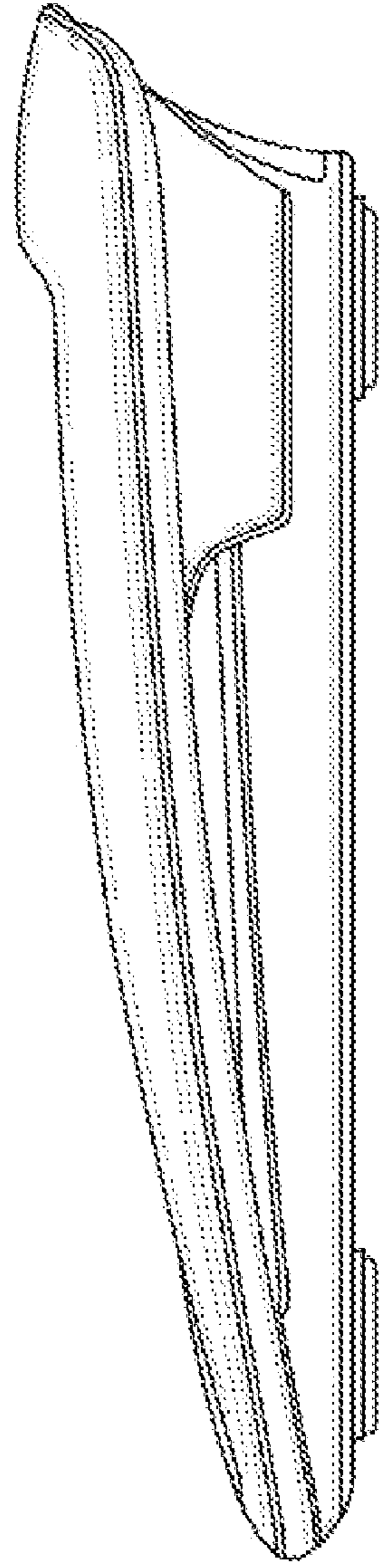


FIG. 6

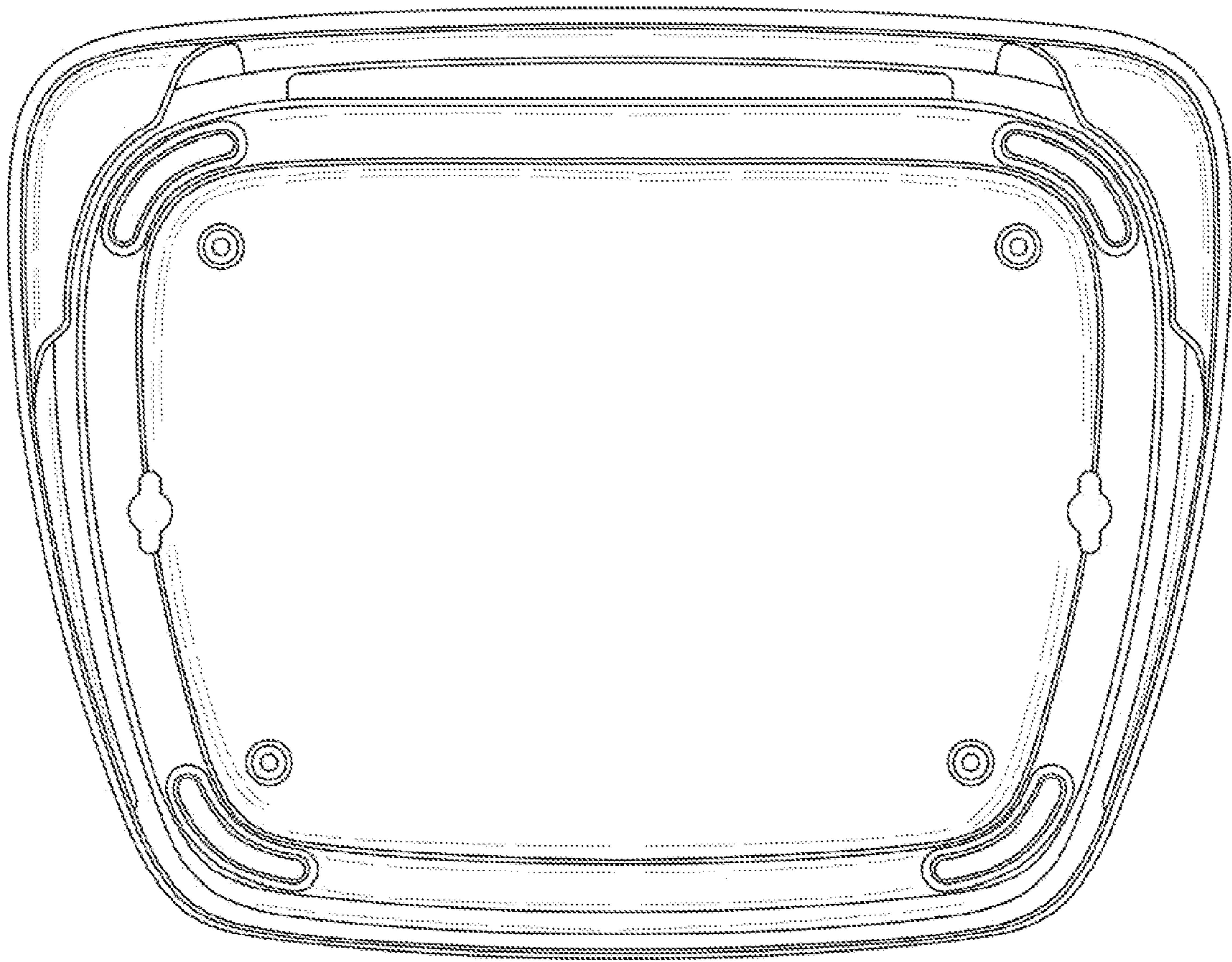


FIG. 7

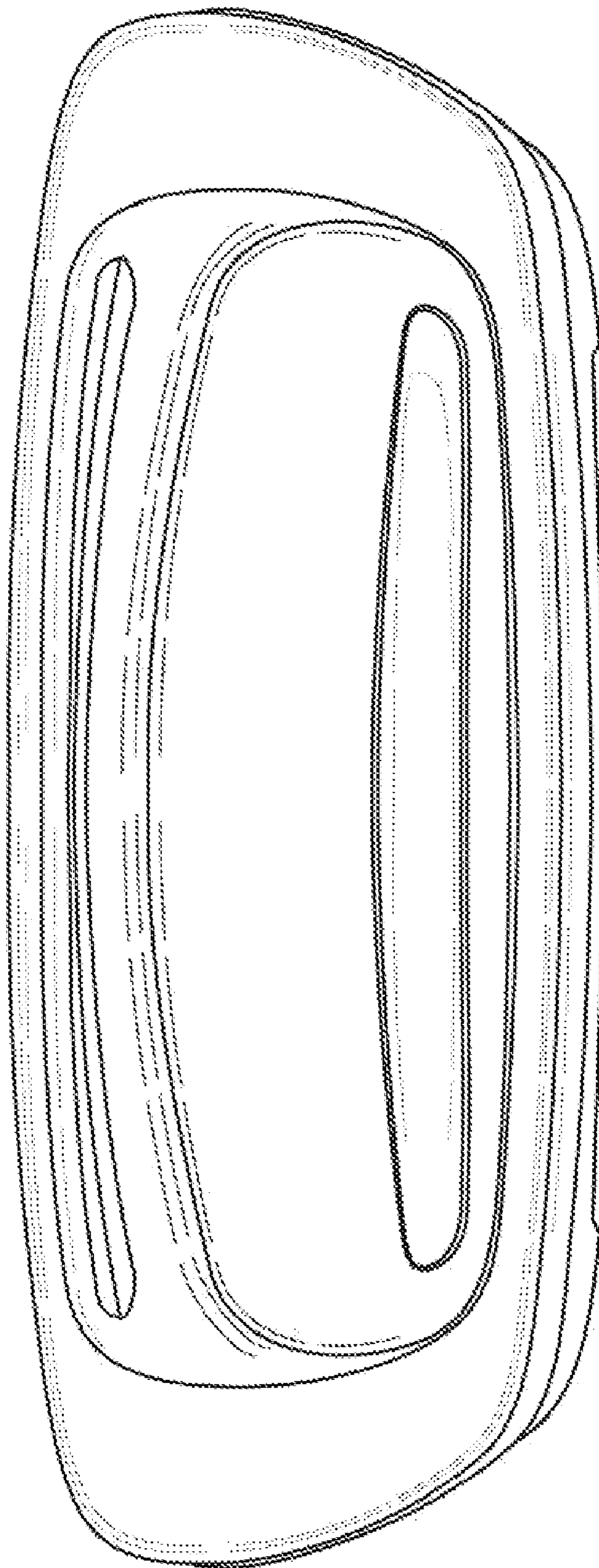


FIG. 8

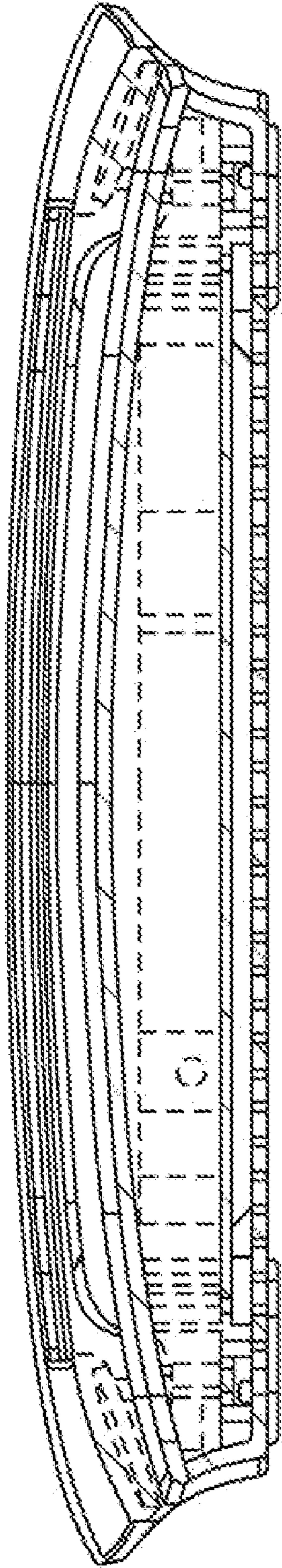


FIG. 9

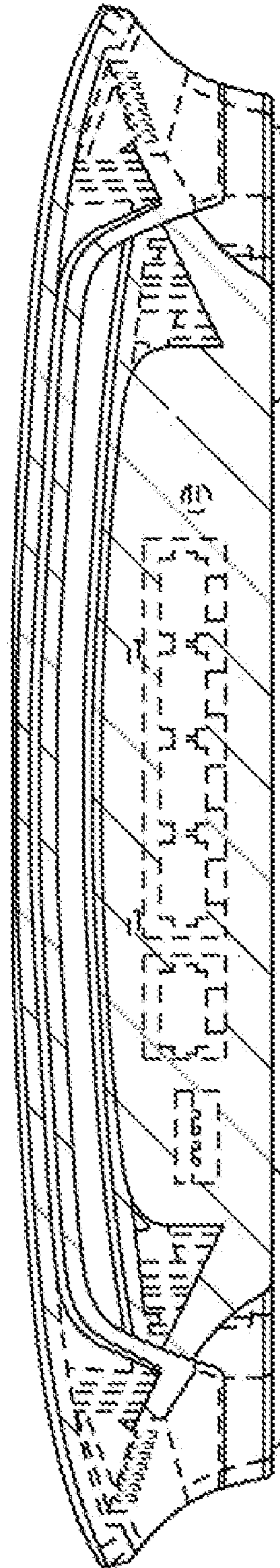


FIG. 10