



US00D598446S

(12) **United States Design Patent**  
**Pan et al.**

(10) **Patent No.:** **US D598,446 S**  
(45) **Date of Patent:** **\*\* Aug. 18, 2009**

(54) **ALL IN ONE COMPUTER**

(75) Inventors: **Ning-Bo Pan**, Shenzhen (CN);  
**Yun-Lung Chen**, Taipei Hsien (TW);  
**Jian Huang**, Shenzhen (CN); **Hong-Jin Wu**, Shenzhen (CN)

(73) Assignee: **Hon Hai Precision Industry Co., Ltd.**,  
Tu-Cheng, Taipei Hsien (TW)

(\*\*) Term: **14 Years**

(21) Appl. No.: **29/321,293**

(22) Filed: **Jul. 14, 2008**

(51) **LOC (9) Cl.** ..... **14-02**

(52) **U.S. Cl.** ..... **D14/337; D14/371**

(58) **Field of Classification Search** ..... D14/371-376,  
D14/125-129, 336-337, 341; D20/10, 42;  
248/917-924, 176.1, 278.1; 345/104, 156,  
345/173, 174, 901-905; 348/180, 184, 325,  
348/739; 361/680-686, 679.08, 679.23;  
349/1, 2, 11, 58

See application file for complete search history.

(56) **References Cited**

**U.S. PATENT DOCUMENTS**

D313,431 S \* 1/1991 Jaskiel et al. .... D20/10  
D355,676 S \* 2/1995 Wilson ..... D20/10  
D372,273 S \* 7/1996 Egan et al. .... D20/42  
D422,979 S \* 4/2000 Lee ..... D14/375

D458,603 S \* 6/2002 Lee ..... D14/375  
D469,091 S \* 1/2003 Hasegawa et al. .... D14/375  
D496,035 S \* 9/2004 Chen et al. .... D14/337  
6,807,051 B2 \* 10/2004 Takahashi ..... 361/679.23  
D504,426 S \* 4/2005 Shoda et al. .... D14/336  
D547,739 S \* 7/2007 Lewis ..... D14/126  
D564,470 S \* 3/2008 Chiu ..... D14/126

\* cited by examiner

*Primary Examiner*—Freda S Nunn

(74) *Attorney, Agent, or Firm*—D. Austin Bonderer

(57) **CLAIM**

The ornamental design for all in one computer, as shown and described.

**DESCRIPTION**

FIG. 1 is a perspective view of the all in one computer showing our new design;

FIG. 2 is a front elevational view thereof;

FIG. 3 is a left side elevational view thereof;

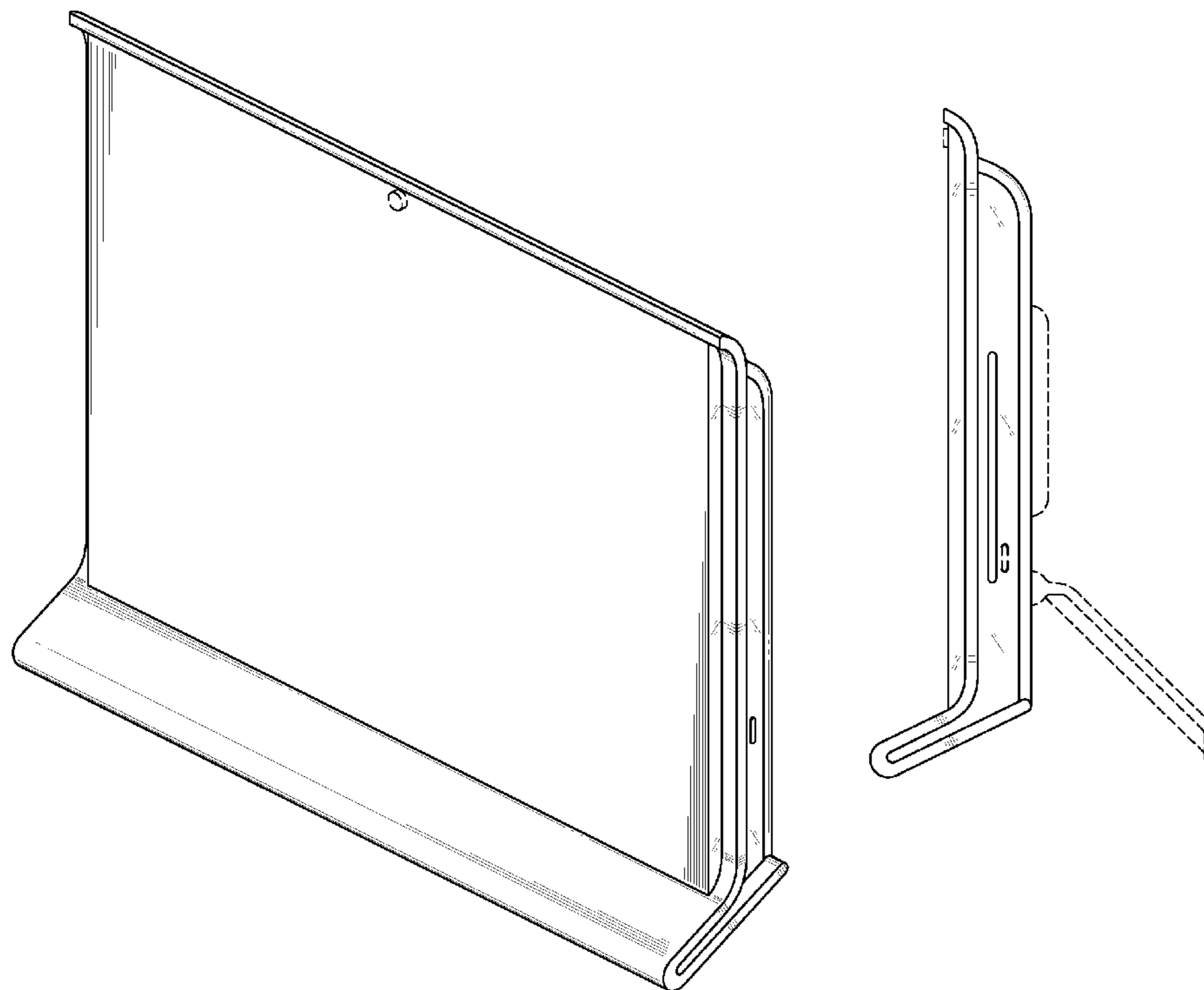
FIG. 4 is a right side elevational view thereof;

FIG. 5 is a top plan view thereof; and,

FIG. 6 is a bottom plan view thereof.

The broken line showing of “all in one computer” is for the purpose of illustrating environmental structures only and forms no part of the claimed design.

**1 Claim, 6 Drawing Sheets**



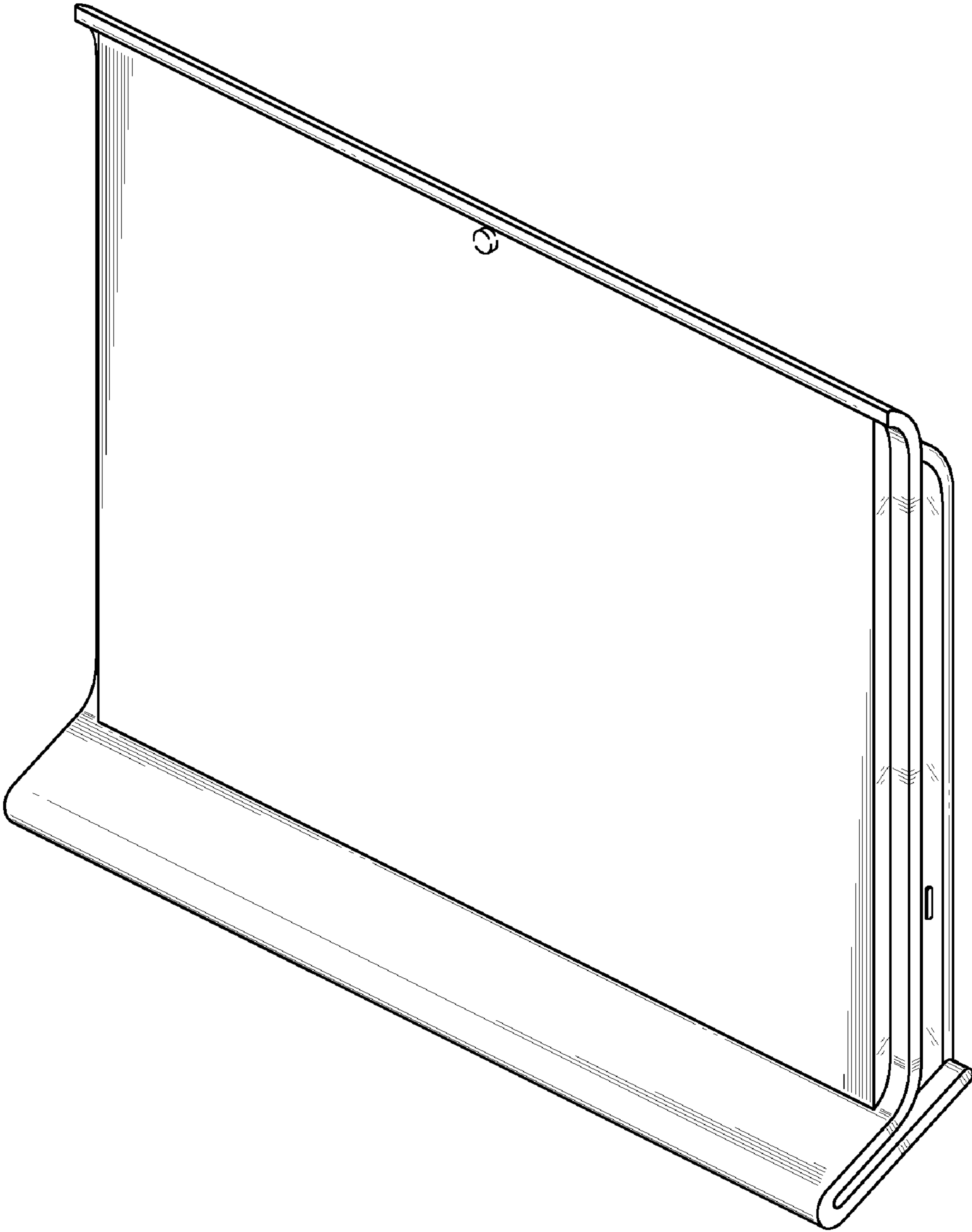


FIG. 1

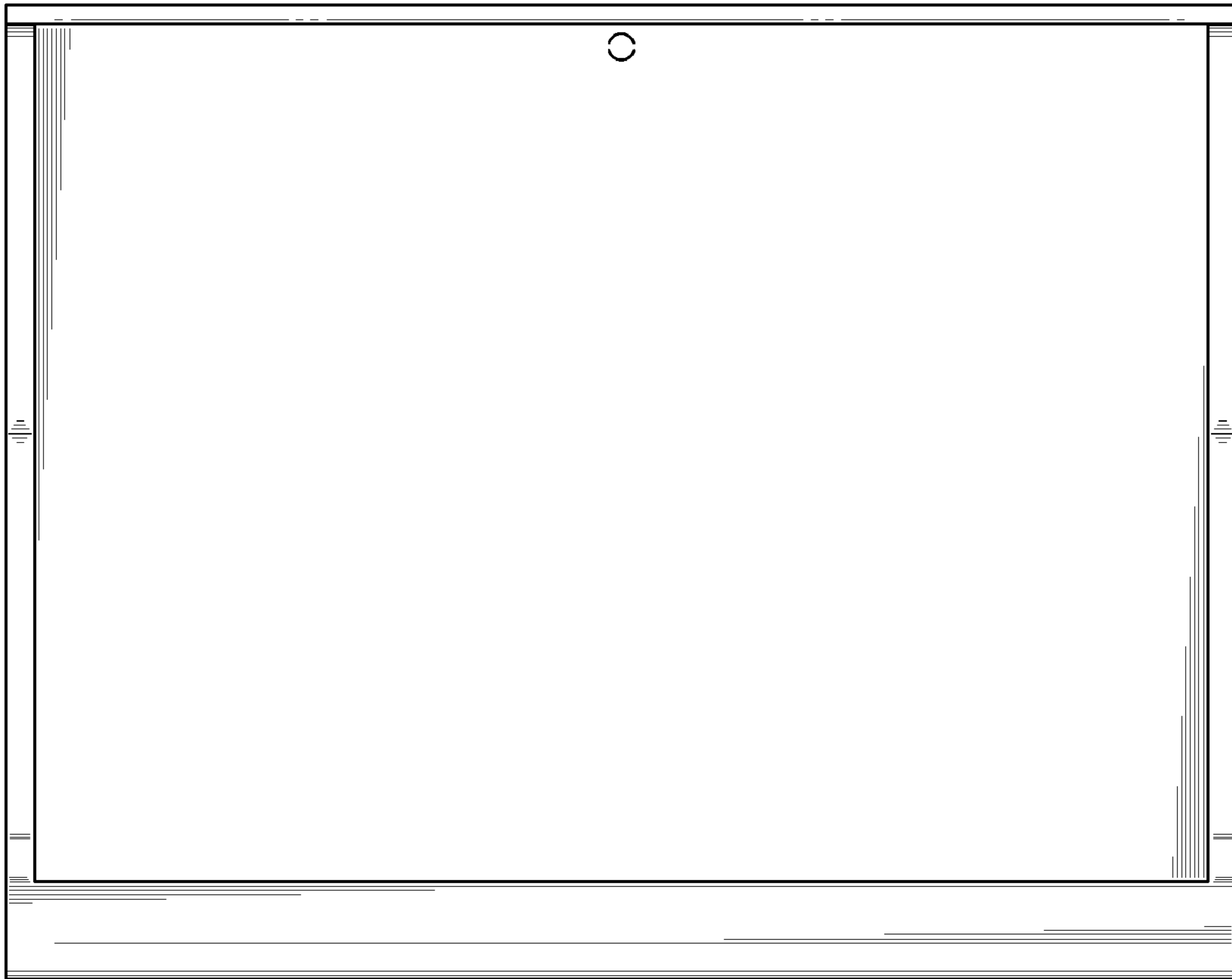


FIG. 2

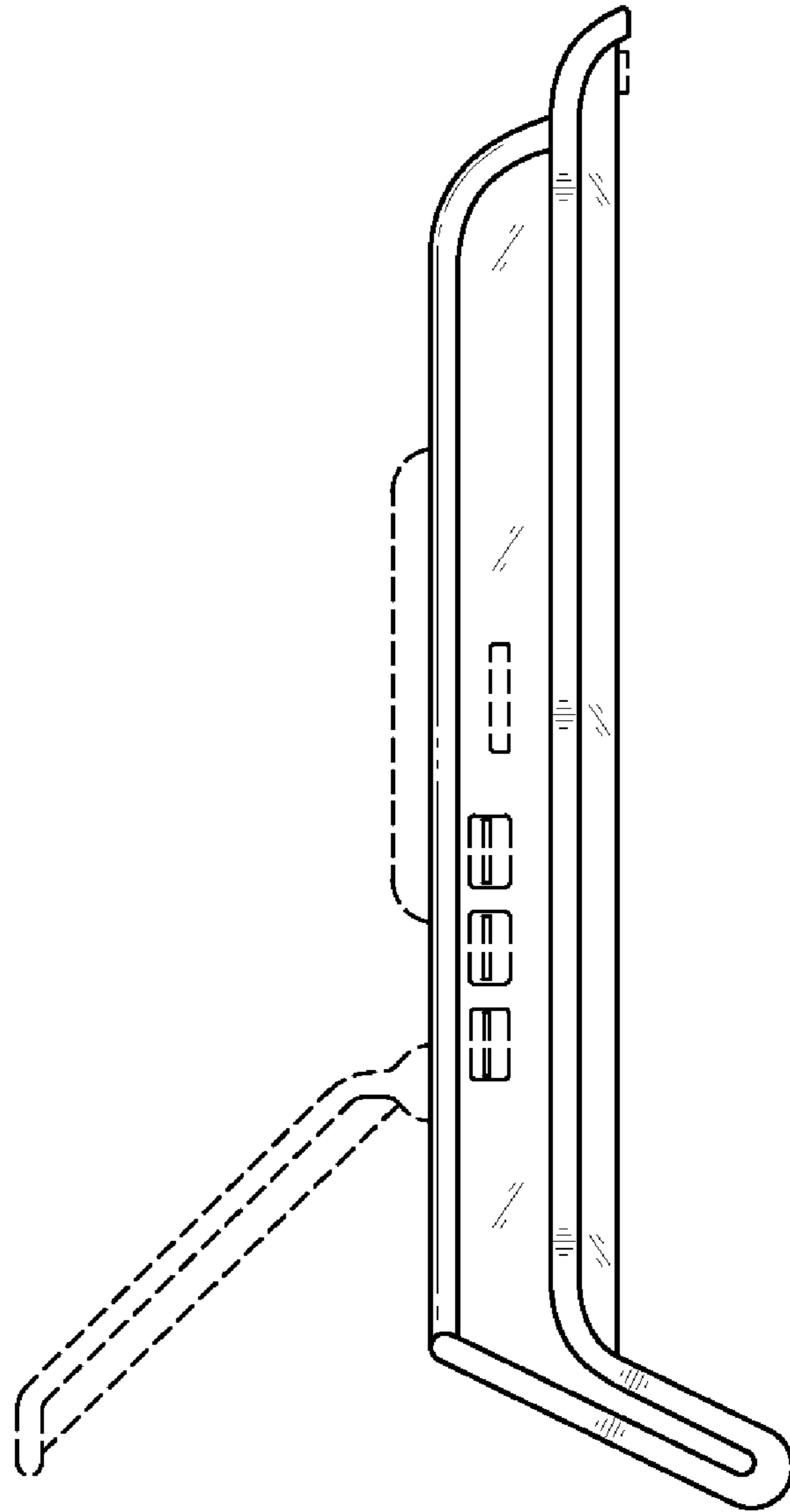


FIG. 3

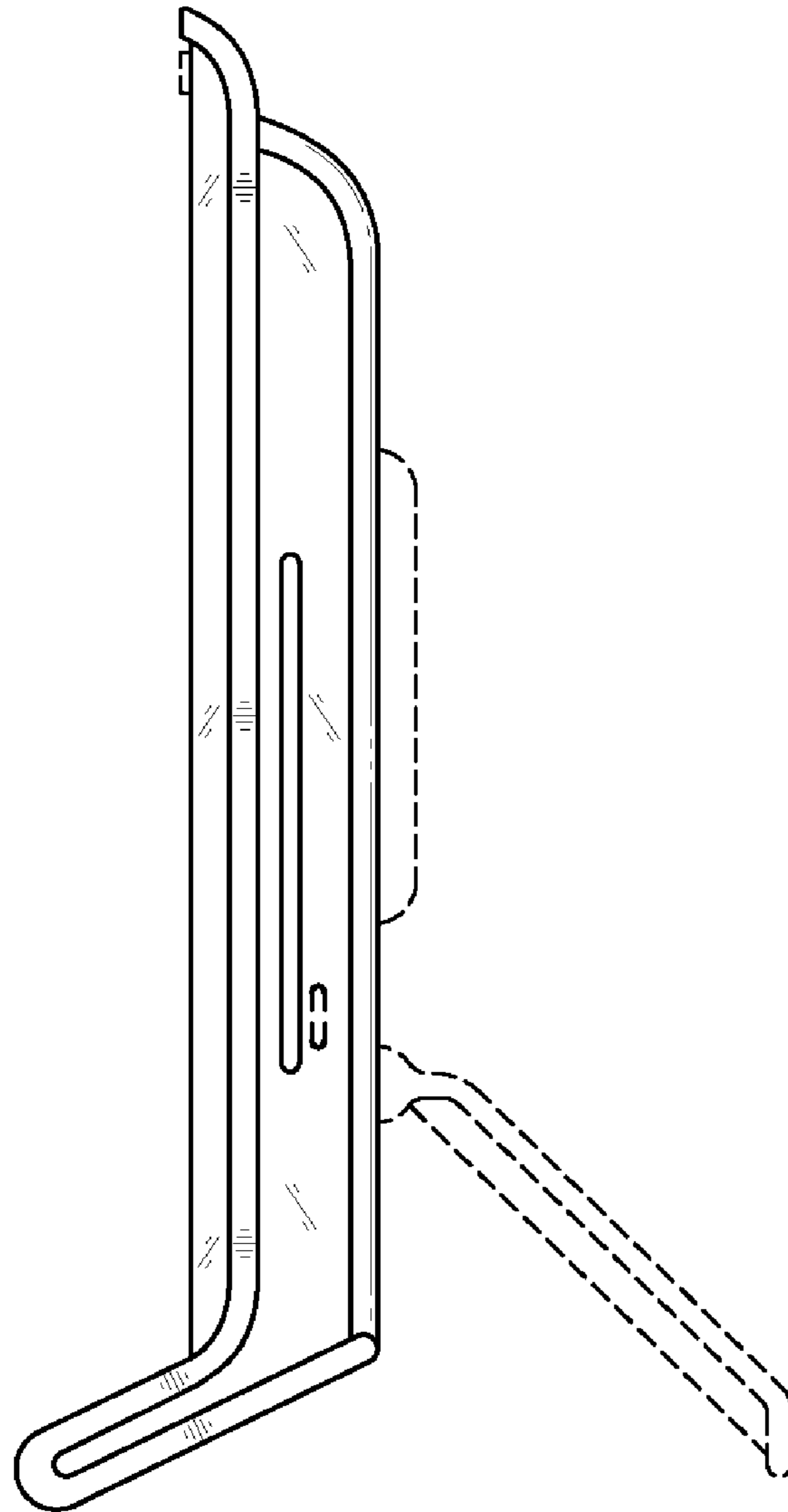


FIG. 4

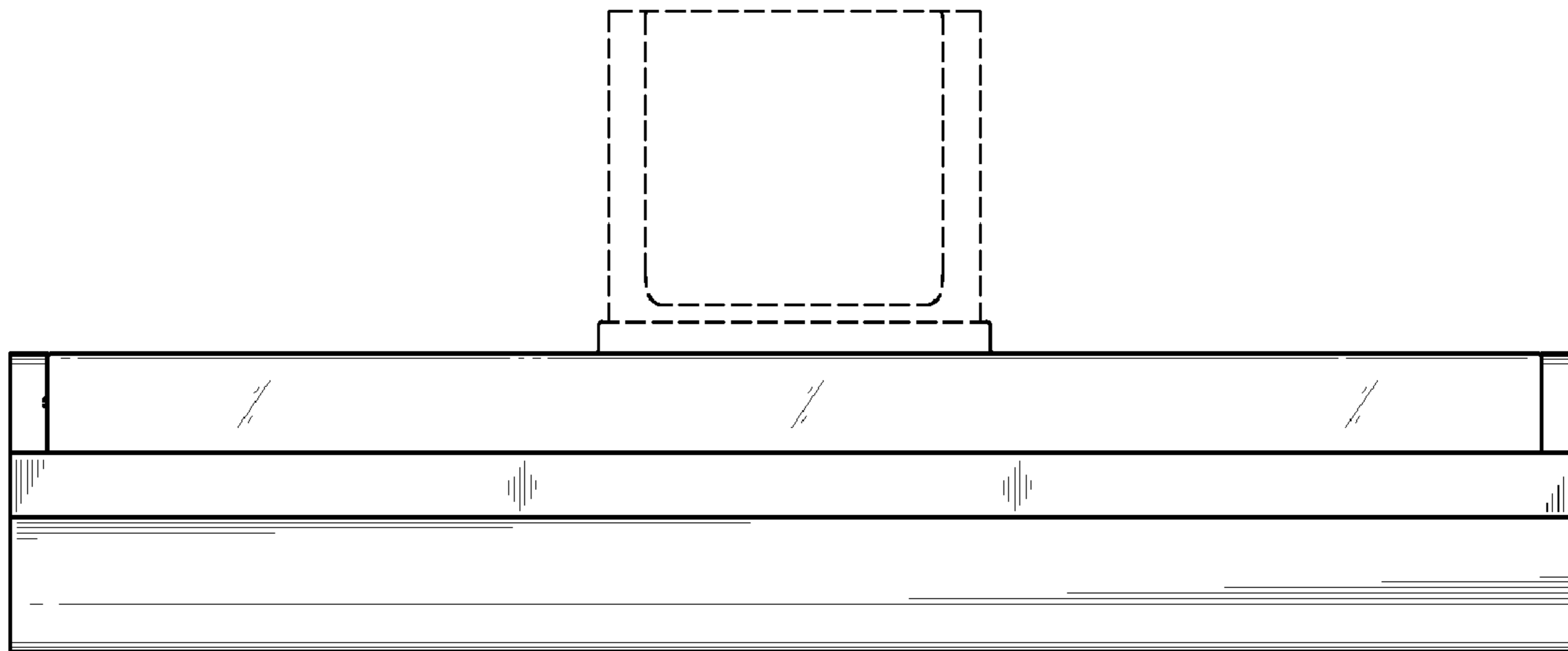


FIG. 5

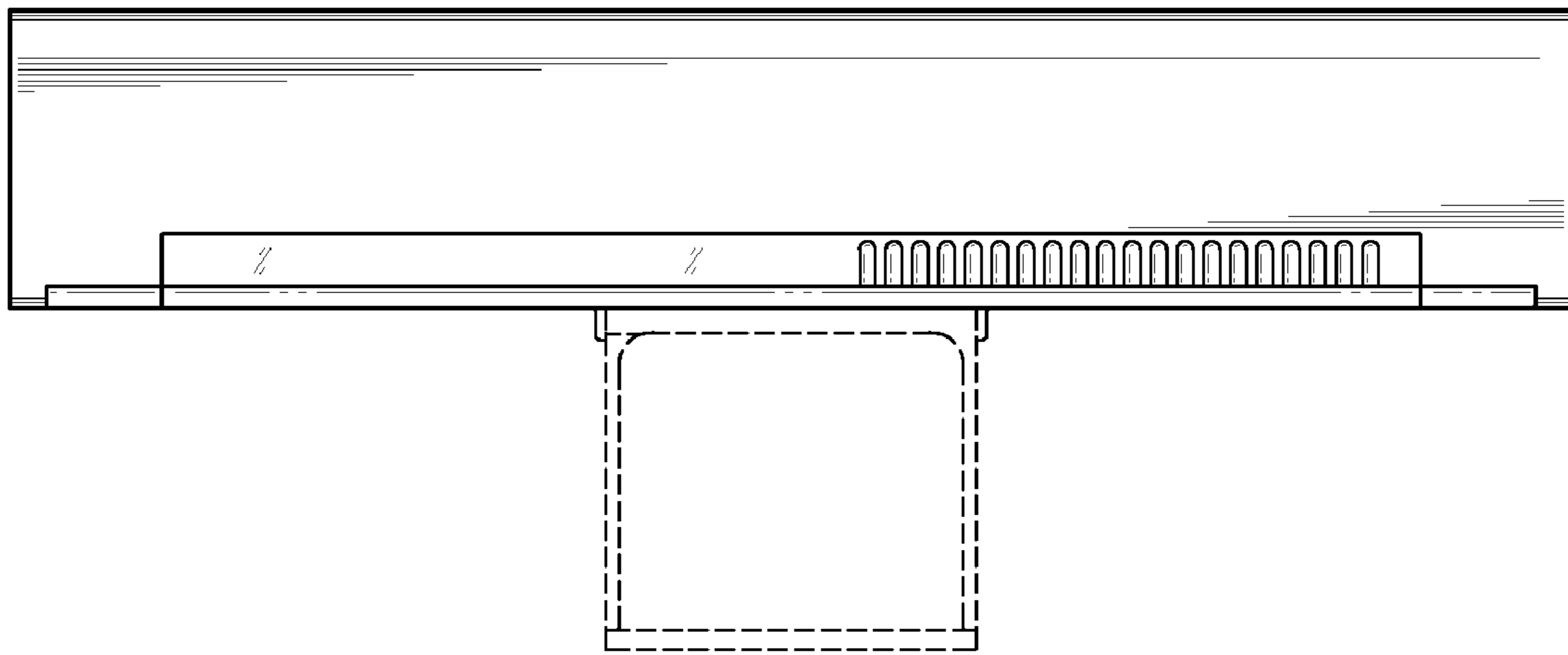


FIG. 6