

US00D598445S

(12) **United States Design Patent**
Pan et al.

(10) **Patent No.:** **US D598,445 S**

(45) **Date of Patent:** **** Aug. 18, 2009**

(54) **ALL IN ONE COMPUTER**

(75) Inventors: **Ning-Bo Pan**, Shenzhen (CN);
Yun-Lung Chen, Taipei Hsien (TW);
Jian Huang, Shenzhen (CN); **Hong-Jin Wu**, Shenzhen (CN)

(73) Assignee: **Hon Hai Precision Industry Co., Ltd.**,
Tu-Cheng, Taipei Hsien (TW)

(**) Term: **14 Years**

(21) Appl. No.: **29/321,295**

(22) Filed: **Jul. 14, 2008**

(51) **LOC (9) Cl.** **14-02**

(52) **U.S. Cl.** **D14/336; D14/371**

(58) **Field of Classification Search** D14/371-376,
D14/125-129, 336-337, 331; D20/10, 42;
248/917-924, 176.1, 278.1; 345/104, 156,
345/173, 174, 901-905; 348/180, 184, 325,
348/739; 361/680-686, 679.08, 679.23;
349/1, 2, 11, 58

See application file for complete search history.

(56) **References Cited**

U.S. PATENT DOCUMENTS

D496,035 S * 9/2004 Chen et al. D14/337

D535,953 S * 1/2007 Fujii D14/126
D538,800 S * 3/2007 Zhang et al. D14/331
D547,739 S * 7/2007 Lewis D14/126
D556,707 S * 12/2007 Fujii D14/126
2006/0237599 A1 * 10/2006 Ternus et al. 248/176.1

* cited by examiner

Primary Examiner—Freda S Nunn

(74) *Attorney, Agent, or Firm*—D. Austin Bonderer

(57) **CLAIM**

The ornamental design for all in one computer, as shown and described.

DESCRIPTION

FIG. 1 is a perspective view of the all in one computer showing our new design;

FIG. 2 is a front elevational view thereof;

FIG. 3 is a left side elevational view thereof;

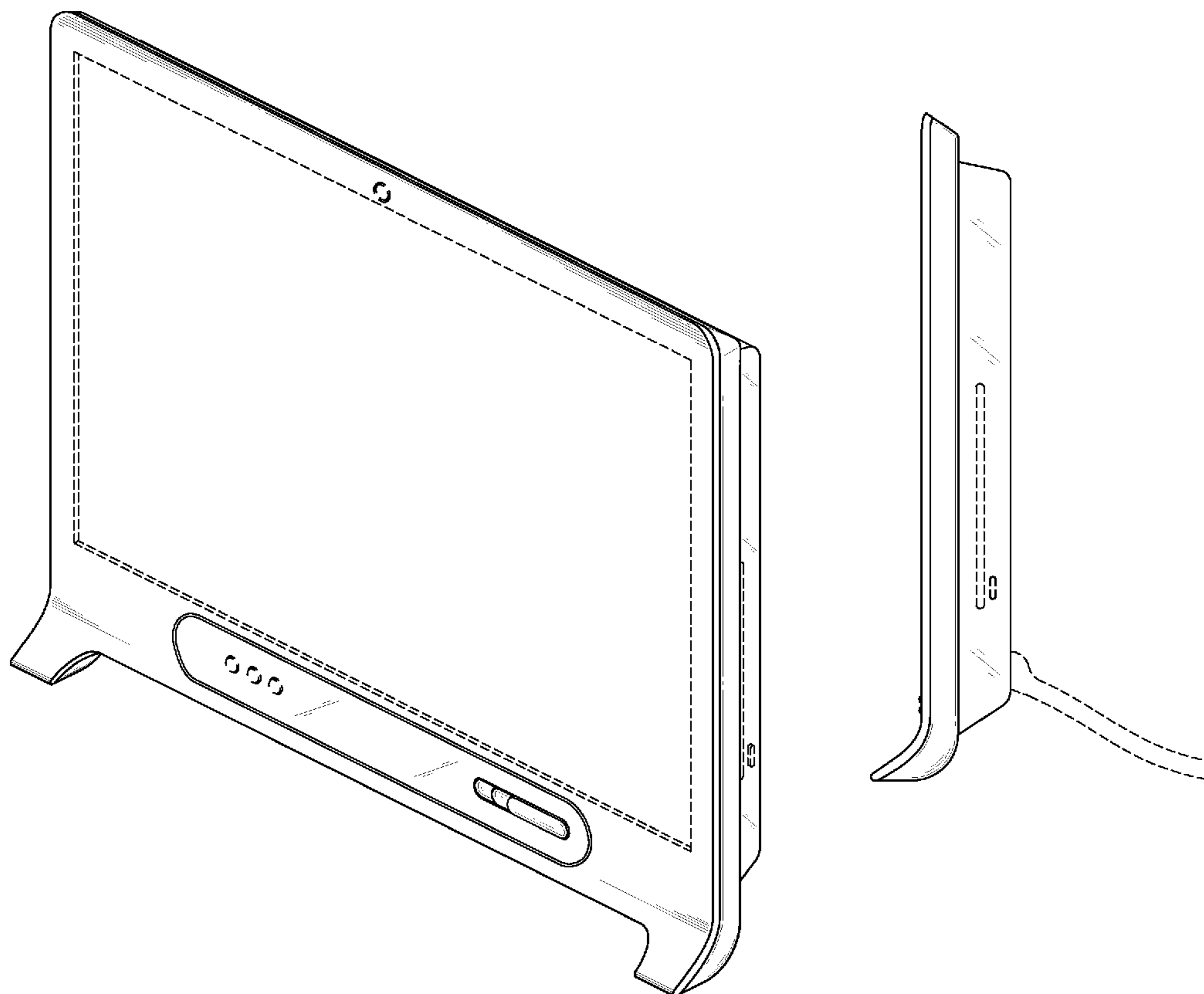
FIG. 4 is a right side elevational view thereof;

FIG. 5 is a top plan view thereof; and,

FIG. 6 is a bottom plan view thereof.

The broken line showing of “all in one computer” is for the purpose of illustrating environmental structures only and forms no part of the claimed design.

1 Claim, 6 Drawing Sheets



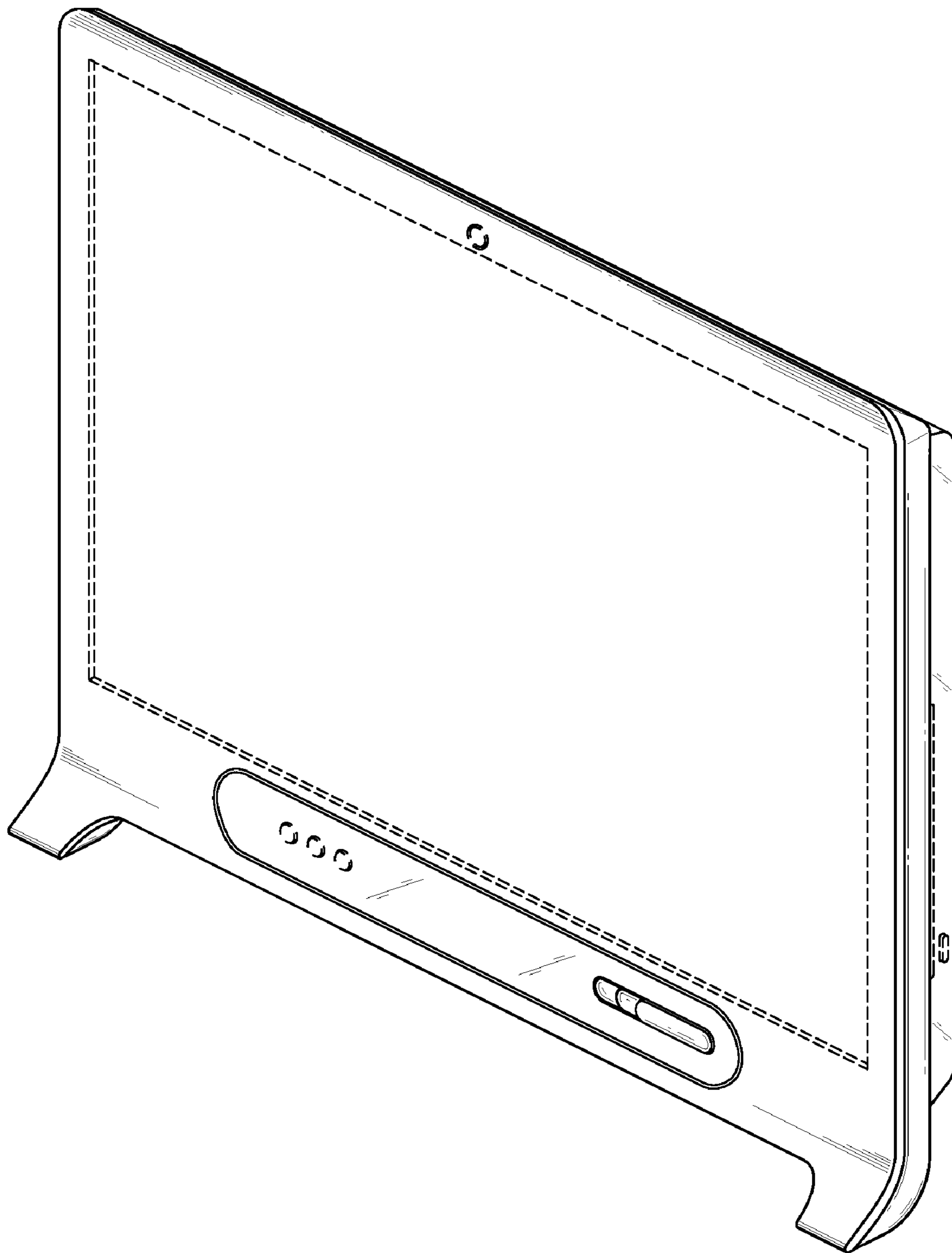


FIG. 1

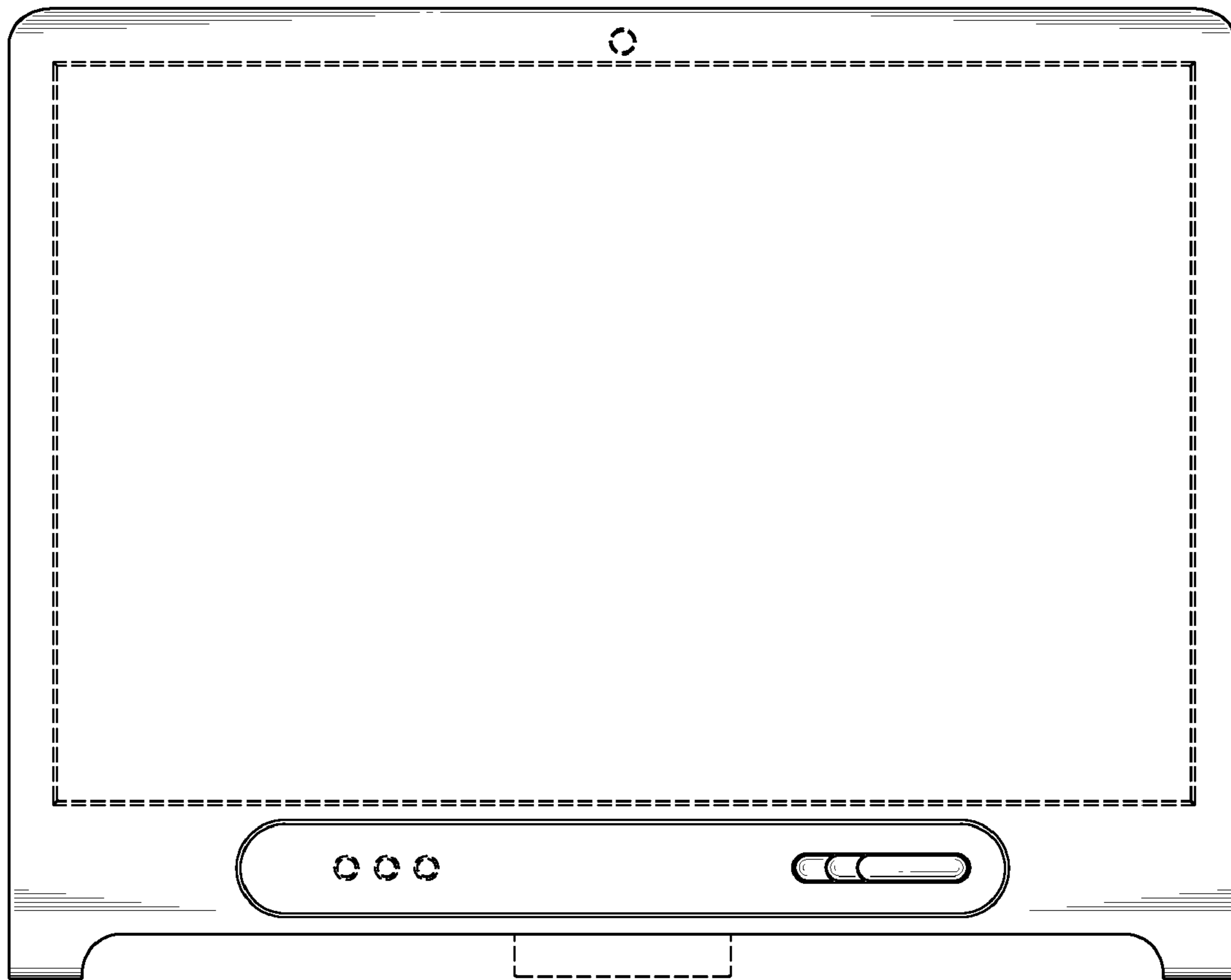


FIG. 2

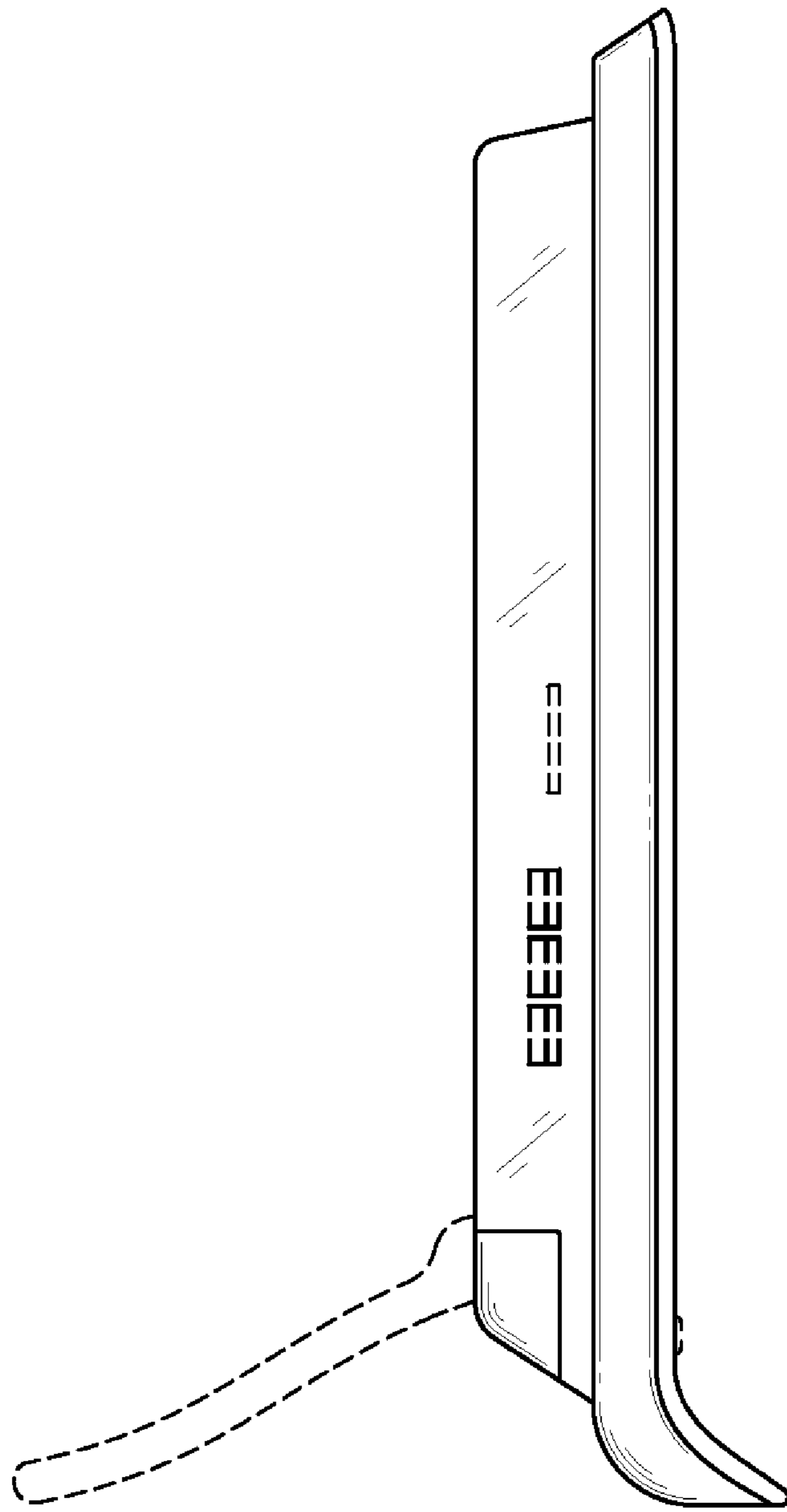


FIG. 3

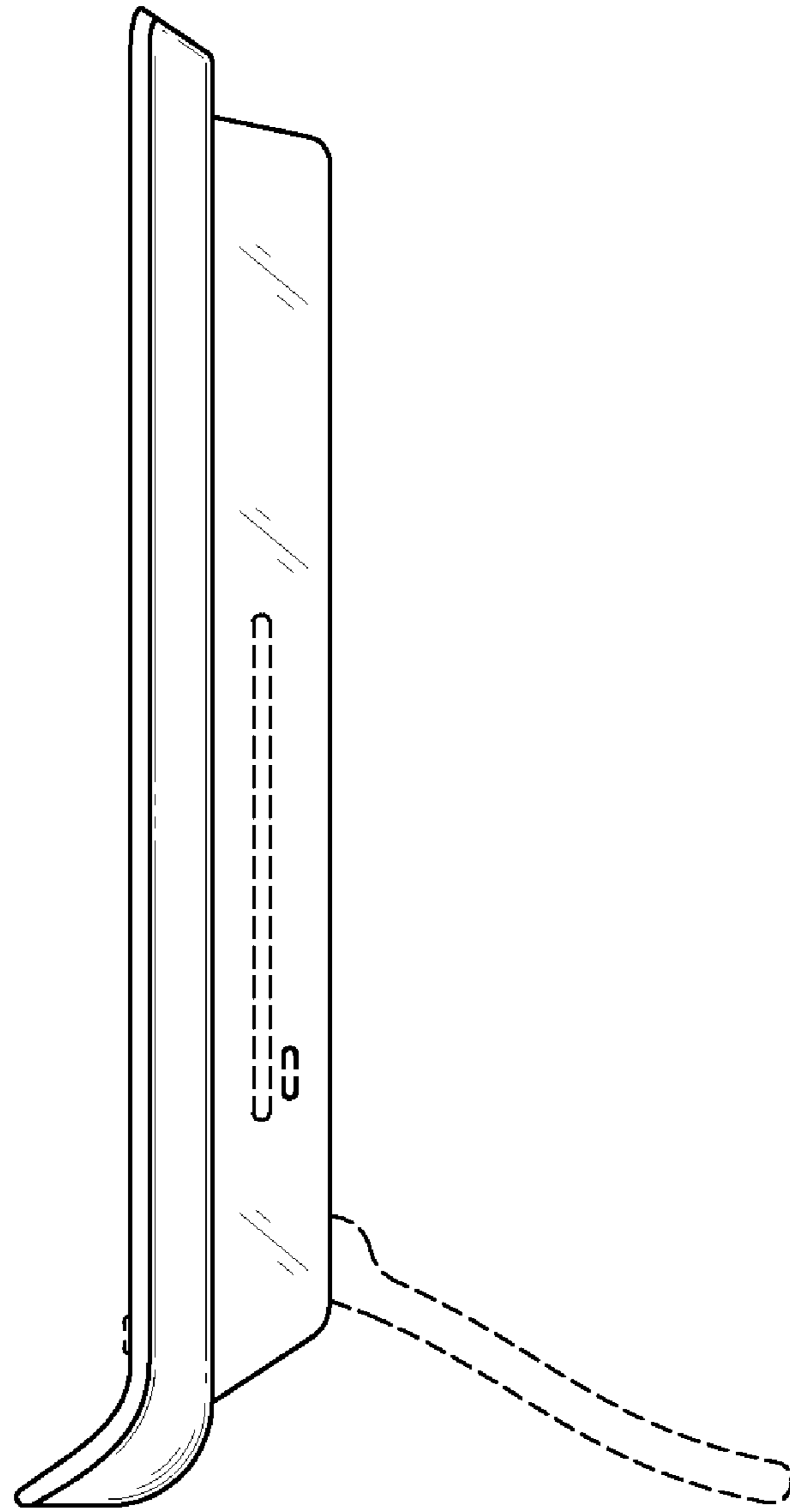


FIG. 4

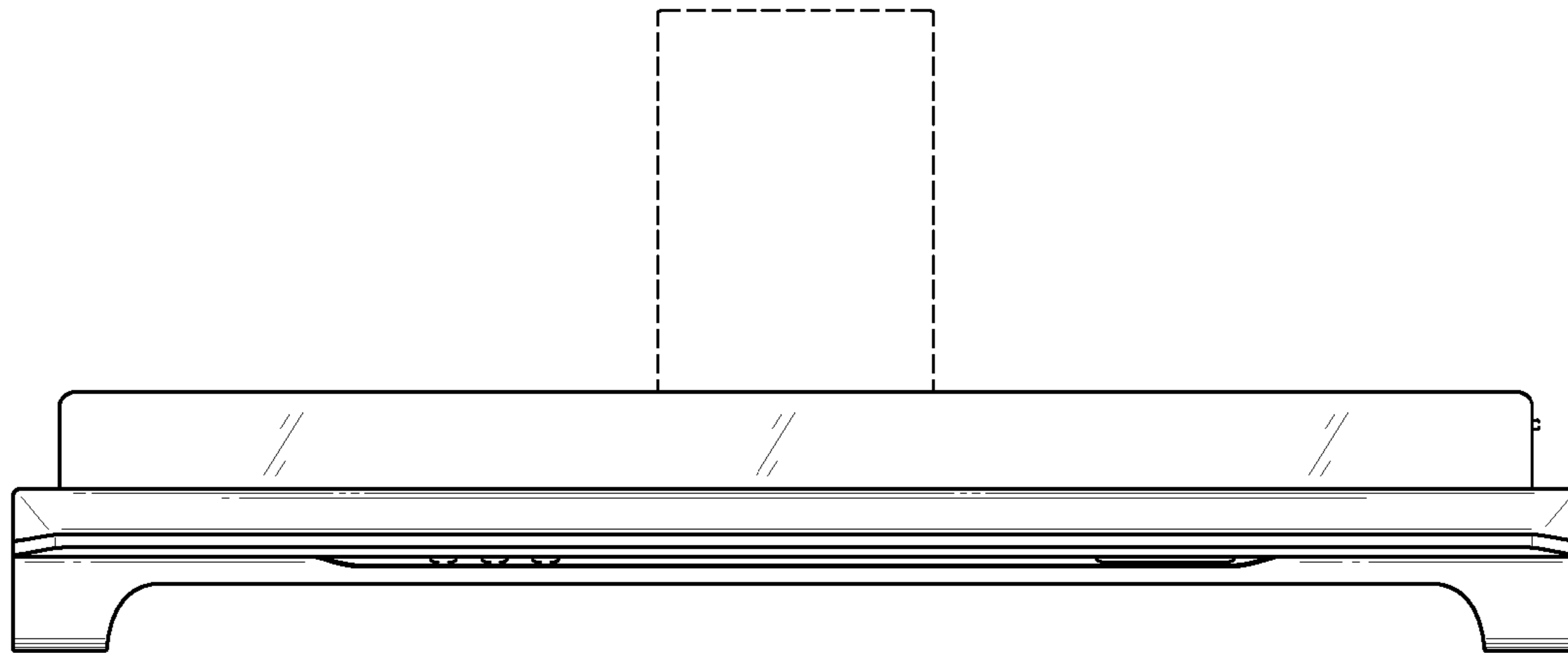


FIG. 5

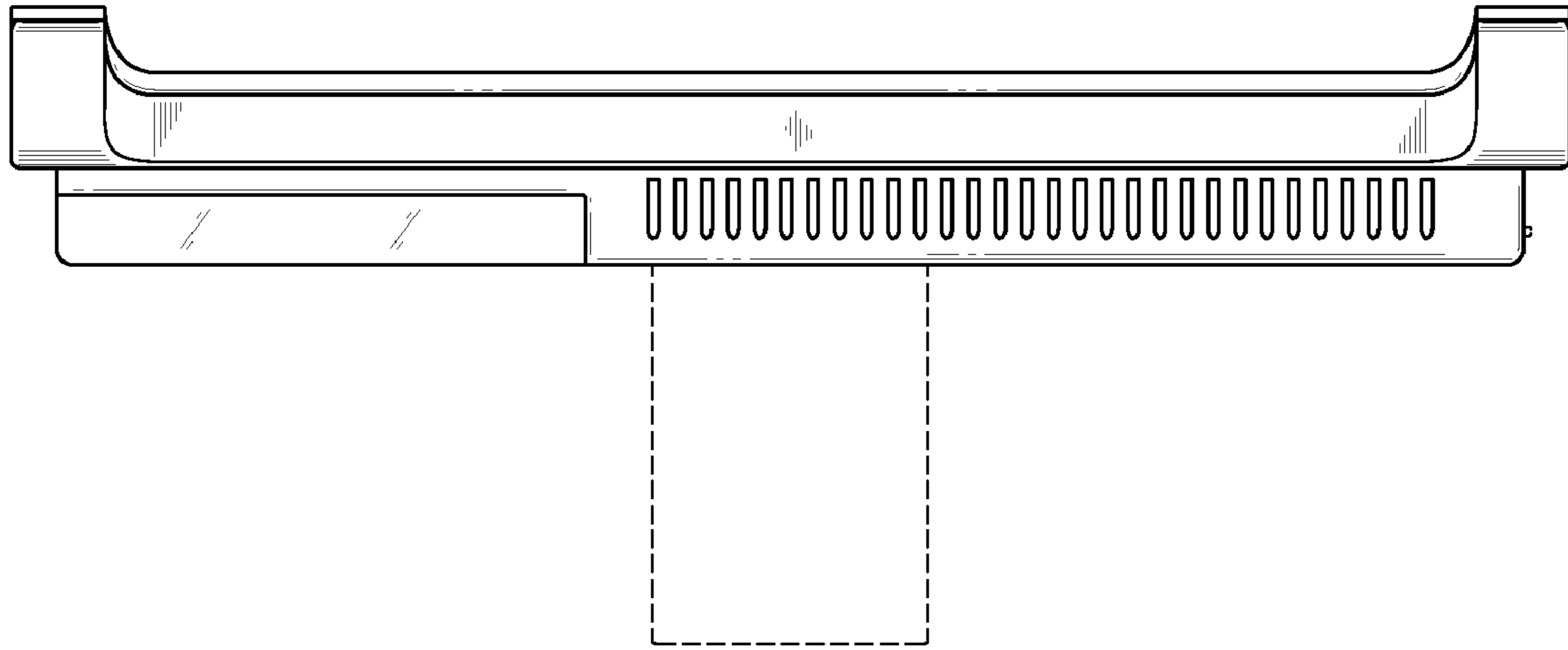


FIG. 6