

US00D598437S

(12) **United States Design Patent**
Bolton et al.

(10) **Patent No.:** **US D598,437 S**

(45) **Date of Patent:** **** Aug. 18, 2009**

(54) **FRONT COVER OF A HANDSET**

(75) Inventors: **Charlie Bolton**, Surrey (GB); **Iain Pottie**, Berkshire (GB); **Anton Fahlgren**, Copenhagen (DK); **Sean Prior**, Surrey (GB)

(73) Assignee: **Nokia Corporation**, Espoo (FI)

(**) Term: **14 Years**

(21) Appl. No.: **29/328,008**

(22) Filed: **Nov. 17, 2008**

Related U.S. Application Data

(62) Division of application No. 29/282,672, filed on Jul. 26, 2007, now Pat. No. Des. 580,902.

Foreign Application Priority Data

(30) Jan. 26, 2007 (FI) M20070023

(51) **LOC (9) Cl.** **14-03**

(52) **U.S. Cl.** **D14/248**

(58) **Field of Classification Search** D14/137, D14/138 R, 138 AA, 138 AB, 138 AC, 138 AD, D14/138 C, 138 G, 147-148, 156, 191, 218, D14/247-248, 341-347, 390, 399, 455-456, D14/496; D16/208; D21/329, 331, 333, D21/517; 348/14.01-14.02; 361/814; 379/433.01-433.13; 455/90.3, 556.1-556.2, 566, 575.1, 575.3, 455/575.4; D13/164, 168; 439/165; 343/702; 345/167, 168, 169; D10/65, 78, 104; D18/7
See application file for complete search history.

(56) **References Cited**

U.S. PATENT DOCUMENTS

6,438,229 B1 8/2002 Overy et al.

(Continued)

FOREIGN PATENT DOCUMENTS

WO DM/067919 5/2006

(Continued)

OTHER PUBLICATIONS

BenQ-Siemens E61, announced Mar. 2006, <URL:http://www.gsmarena.com/benq_siemens_e61-pictures-1502.php>, retrieved from internet Mar. 24, 2009.*

(Continued)

Primary Examiner—Ian Simmons

Assistant Examiner—Carla Jobe Wright

(74) *Attorney, Agent, or Firm*—Banner & Witcoff, Ltd.

(57) **CLAIM**

The ornamental design for a front cover of a handset, as shown and described.

DESCRIPTION

FIG. 1 is a bottom plan view of a front cover of a handset showing our new design in the broken line environment of a handset;

FIG. 2 is a right side view thereof;

FIG. 3 is a front view thereof;

FIG. 4 is a left side view thereof;

FIG. 5 is a top plan view thereof;

FIG. 6 is a perspective front view thereof;

FIG. 7 is a bottom plan view of a front cover of a handset showing our new design in isolation;

FIG. 8 is a right side view thereof;

FIG. 9 is a front view thereof;

FIG. 10 is a left side view thereof;

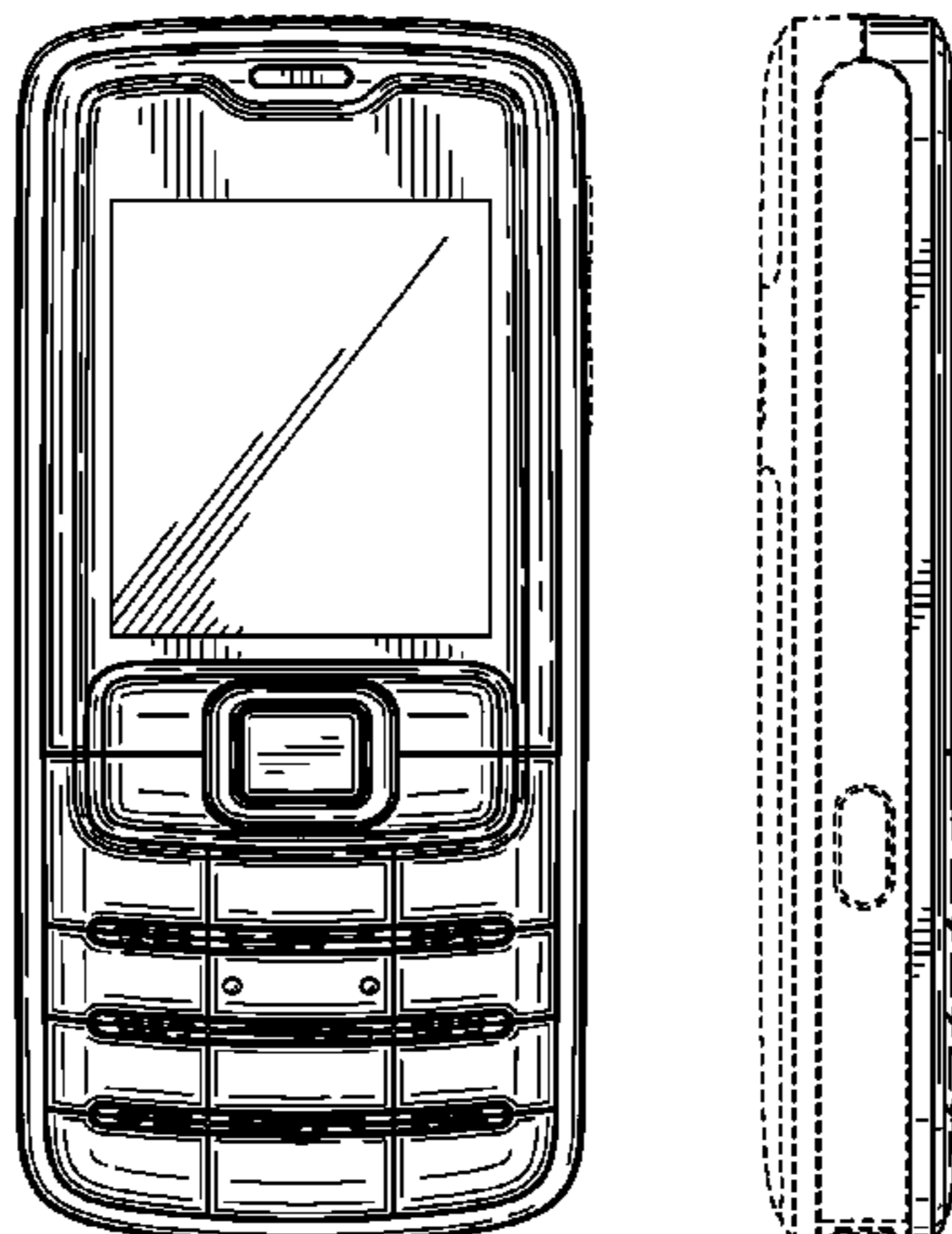
FIG. 11 is a top plan view thereof; and,

FIG. 12 is a perspective front view thereof.

The broken line showing of the remainder of the handset is for illustrative purposes only and forms no part of the claimed design. The unshaded inner portion of the front cover shown in FIG. 7 is not part of the claimed design.

The outer edges of this portion, shown in solid lines, are part of the claimed designs as is shown in FIGS. 8, 10, and 11.

1 Claim, 4 Drawing Sheets



U.S. PATENT DOCUMENTS

D525,229	S	7/2006	Friesen et al.	
D527,380	S *	8/2006	Johansson	D14/248
D532,767	S *	11/2006	Yoshino et al.	D14/138 AA
D536,681	S	2/2007	Surtouc	
D538,252	S	3/2007	Joung	
D539,257	S	3/2007	Obata et al.	
D540,773	S	4/2007	Meng et al.	
D545,800	S	7/2007	Ou et al.	
D546,314	S	7/2007	Im	
D549,208	S	8/2007	Huang et al.	
D558,179	S	12/2007	Hansen	
D558,707	S	1/2008	Travis et al.	
D561,181	S *	2/2008	Di et al.	D14/248
D563,379	S	3/2008	Mai et al.	
D565,040	S *	3/2008	Travis et al.	D14/248
D569,862	S *	5/2008	Mitchell et al.	D14/248
D576,589	S *	9/2008	Montin et al.	D14/138 AA
D576,993	S *	9/2008	Park et al.	D14/138 AA
D578,101	S *	10/2008	Park et al.	D14/138 AA
D583,343	S *	12/2008	Lee et al.	D14/138 AA
D584,722	S *	1/2009	Okkonen	D14/248
D586,342	S *	2/2009	Stone	D14/248
D588,565	S *	3/2009	Liu et al.	D14/138 AA
2007/0287302	A1 *	12/2007	Lindberg et al.	439/38
2007/0294633	A1	12/2007	Aarras et al.	

FOREIGN PATENT DOCUMENTS

WO DM/067167 7/2007

OTHER PUBLICATIONS

Asus V75, announced May 2006, <URL:http://www.gsmarena.com/asus_v75-pictures-1729.php>, retrieved from internet Mar. 24, 2009.*

Phillips 768, announced 4Q, <URL:http://www.gsmarena.com/phillips_768-pictures-1386.php>, retrieved from internet Apr. 18, 2008.

Samsung X700, announced 2Q 2005, <URL:http://www.gsmarena.com/samsung_x700-pictures-1298.php>, retrieved from internet Apr. 18, 2008.

Nokia Model # 1112, Nokia Corporation, 5 color sheets of photographs, disclosed on or about Mar. 2006.

Nokia Model # 2630, Nokia Corporation, 1 color sheet of photographs, disclosed on or about May 2007.

Nokia Model # 3109 classic, Nokia Corporation, 1 color sheet of photographs, disclosed on or about May 2007.

Nokia Model # 3110 classic, Nokia Corporation, 1 color sheet of photographs, disclosed on or about Feb. 2007.

Nokia Model # 5070, Nokia Corporation, 2 color sheets of photographs, disclosed on or about Mar. 2007.

Nokia Model # 5310, Nokia Corporation, 2 color sheets of photographs, disclosed on or about Aug. 2007.

Nokia Model # 5700, Nokia Corporation, 2 color sheets of photographs, disclosed on or about Mar. 2007.

Nokia Model # 6070, Nokia Corporation, 3 color sheets of photographs, disclosed on or about Feb. 2006.

Nokia Model # 6120, Nokia Corporation, 1 color sheet of photographs, disclosed on or about Apr. 2007.

Nokia Model # 6151, Nokia Corporation, 1 color sheet of photographs, disclosed on or about Jun. 2006.

Nokia Model # 7360, Nokia Corporation, 4 color sheets of photographs, disclosed on or about Oct. 2005.

Nokia Model # N72, Nokia Corporation, 2 color sheets of photographs, disclosed on or about Apr. 2006.

Nokia Model # N95, Nokia Corporation, 7 color sheets of photographs, disclosed on or about Sep. 2006.

* cited by examiner

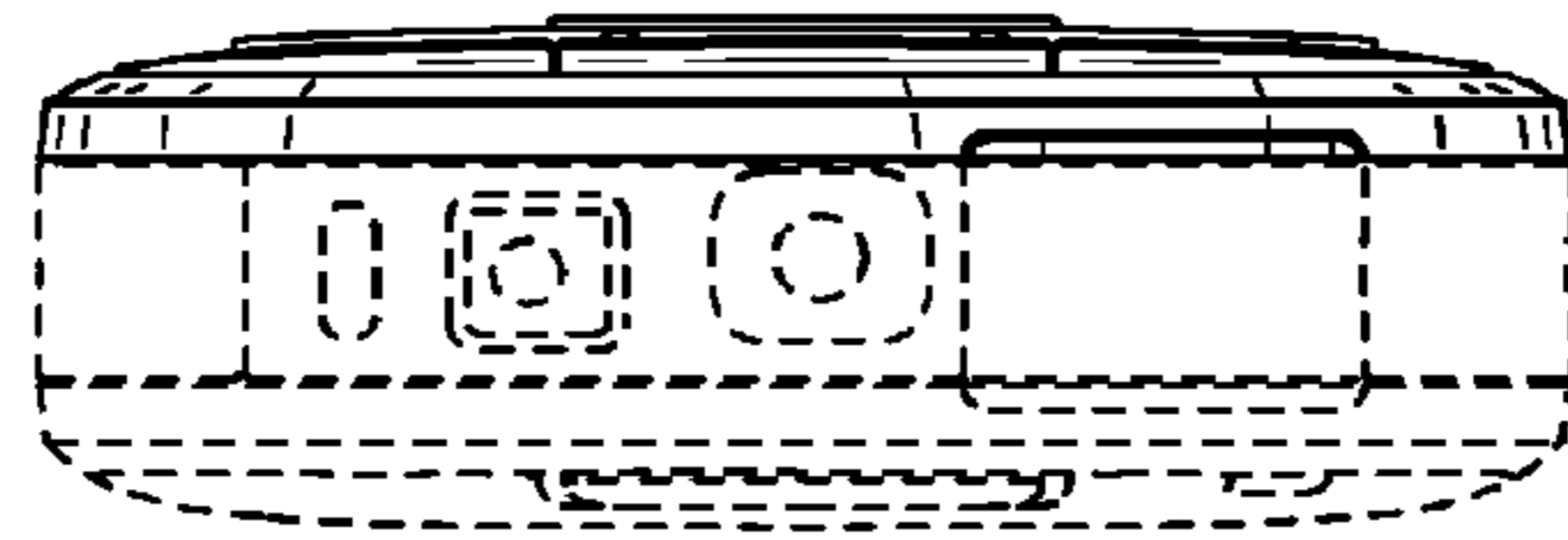


FIG. 1

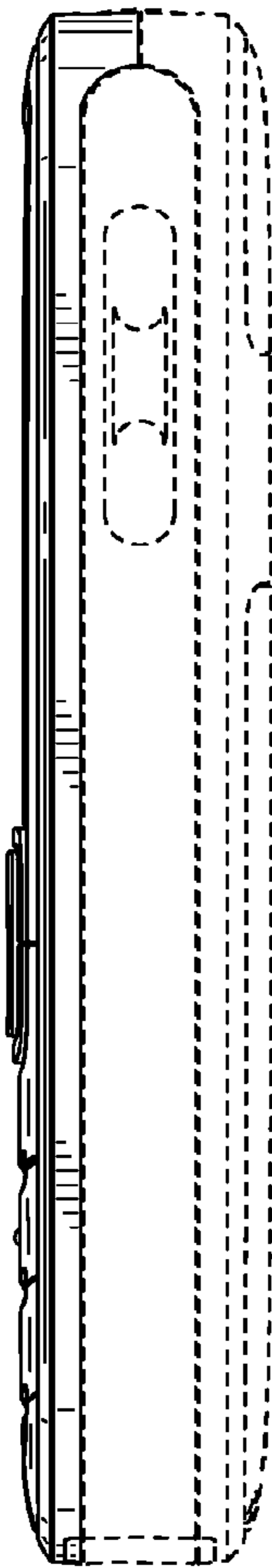


FIG. 2

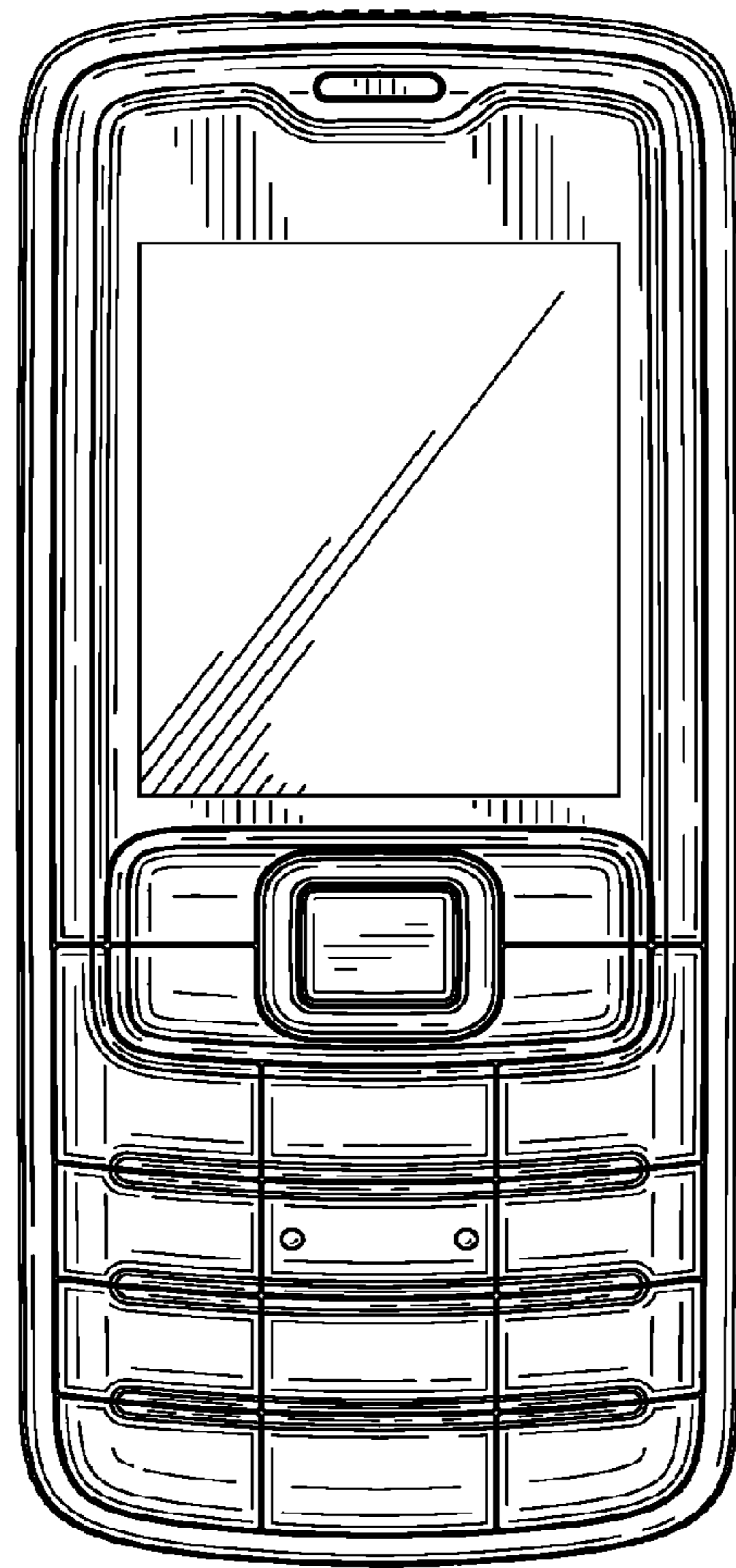


FIG. 3

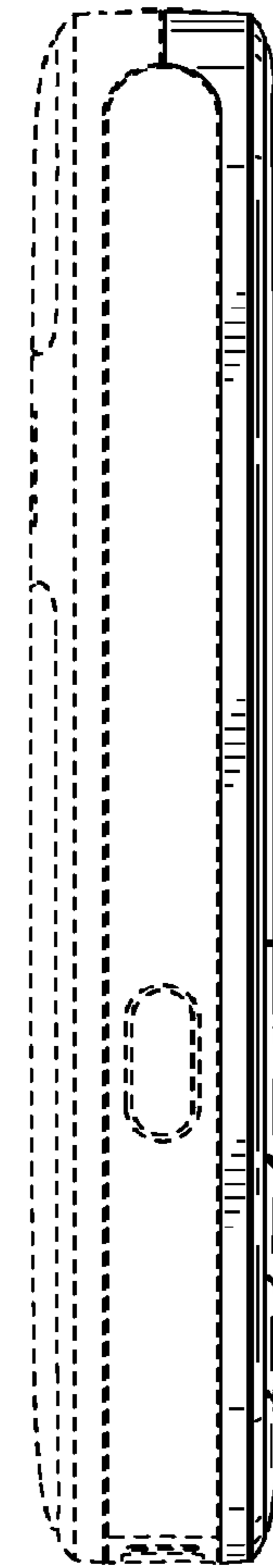


FIG. 4

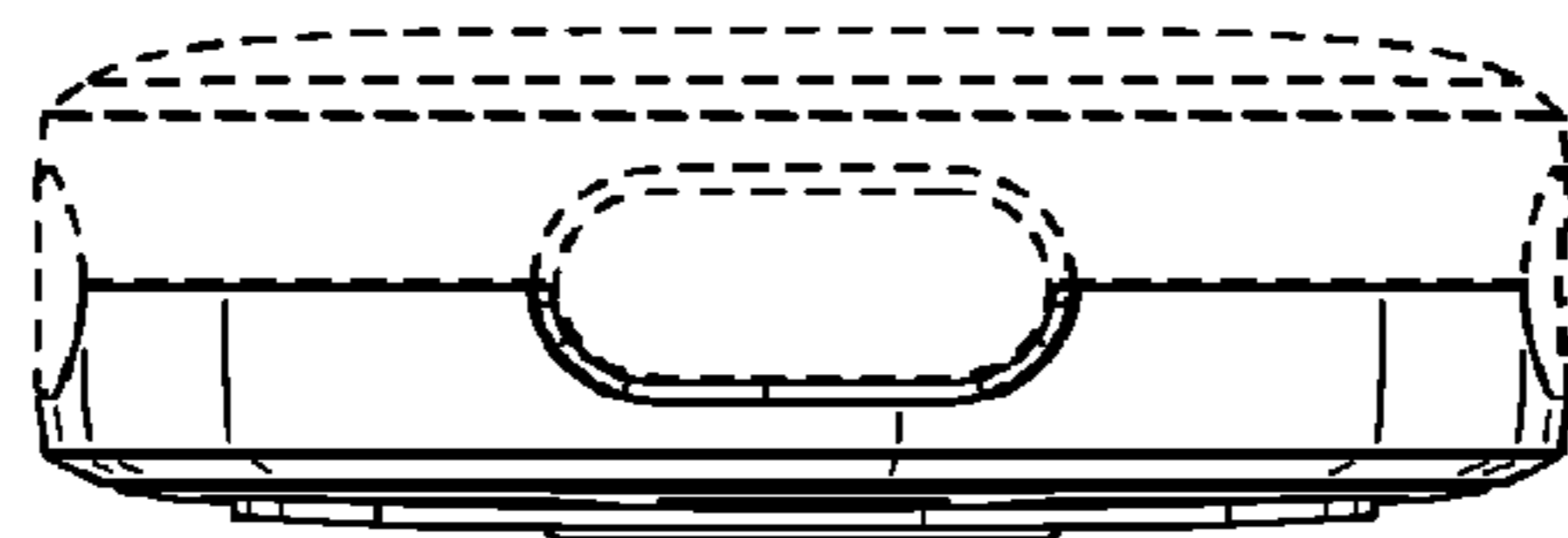


FIG. 5



FIG. 6

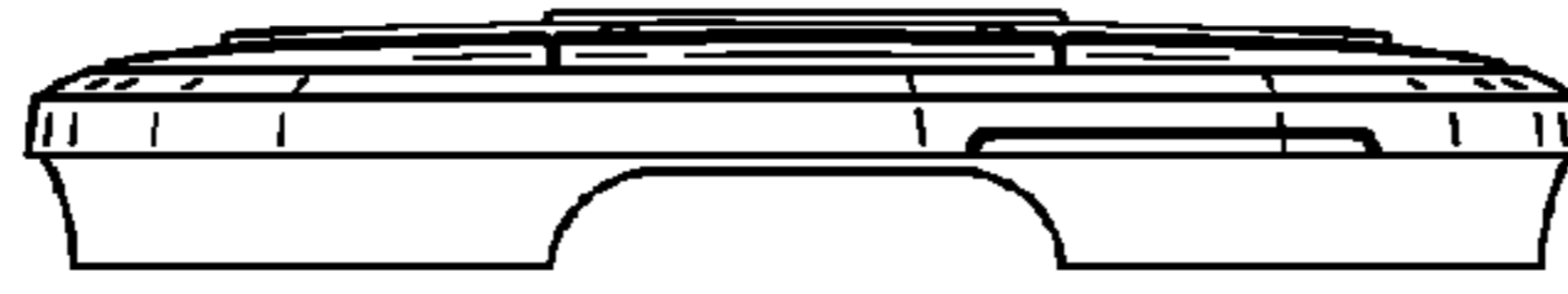


FIG. 7

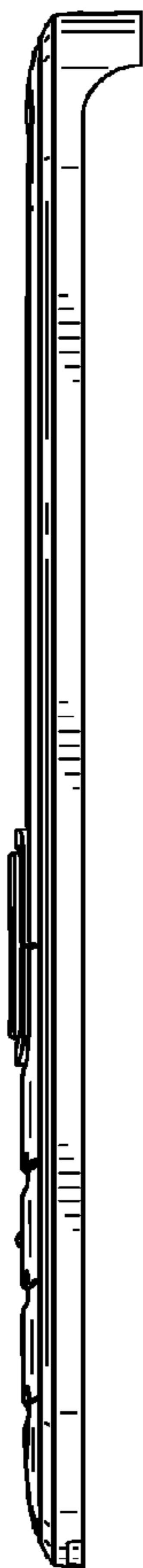


FIG. 8

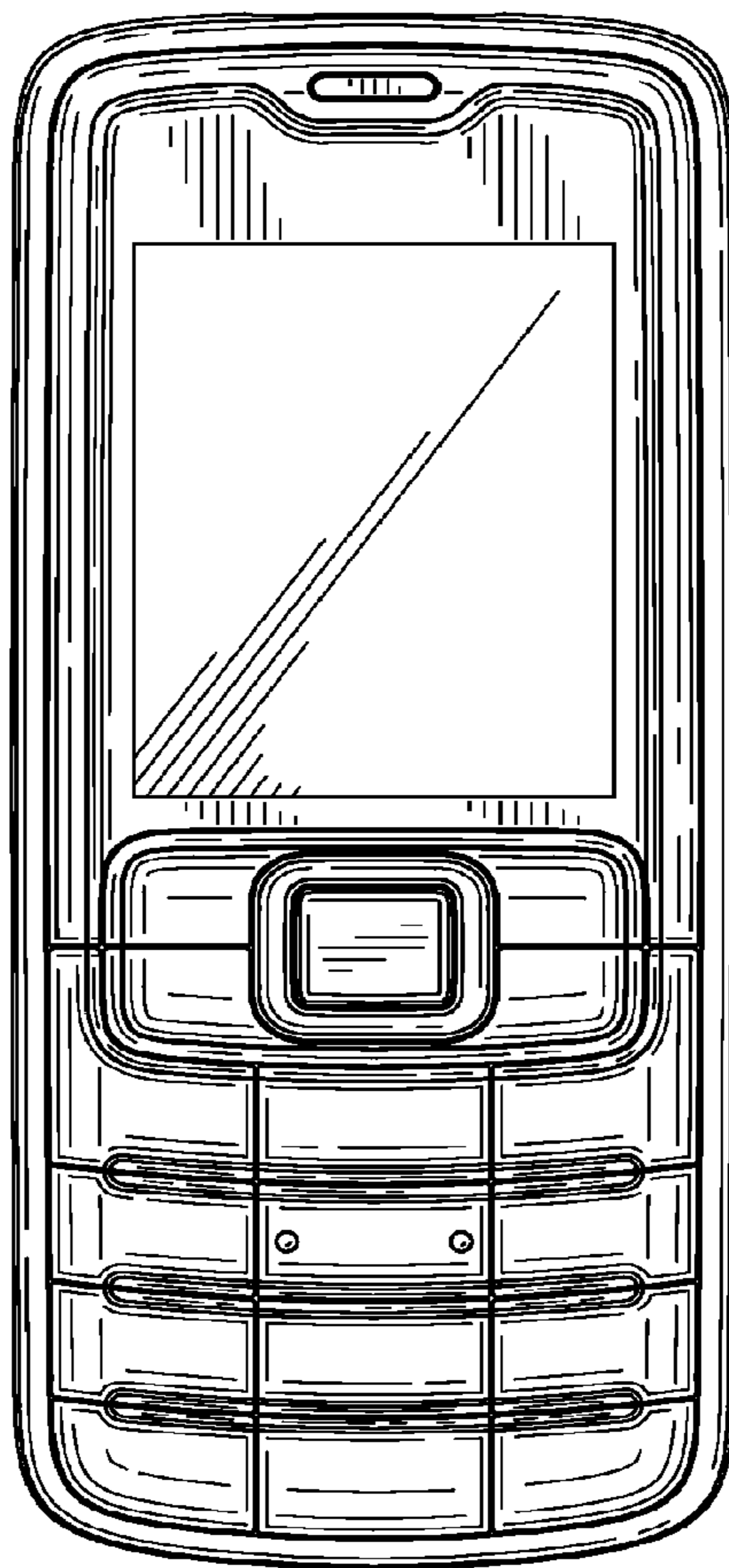


FIG. 9



FIG. 10

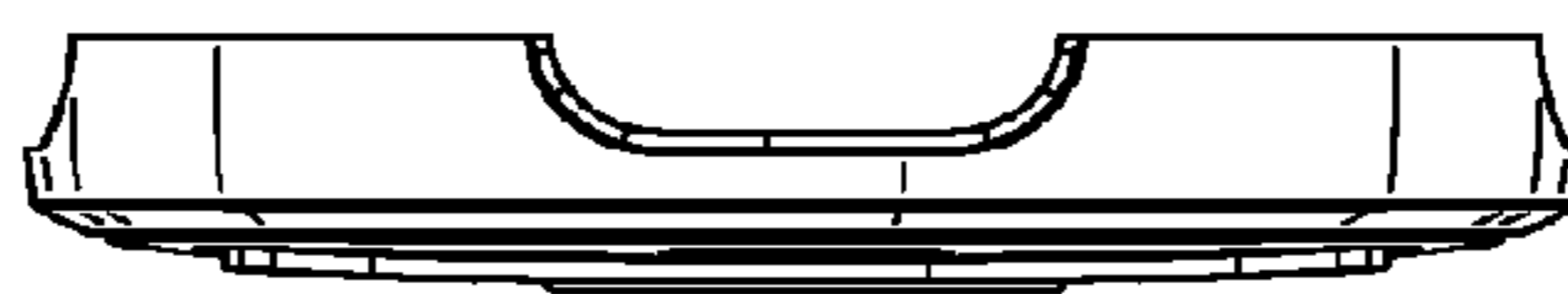


FIG. 11



FIG. 12