



US00D598428S

(12) **United States Design Patent**
Fujiwara et al.

(10) **Patent No.:** **US D598,428 S**

(45) **Date of Patent:** **** Aug. 18, 2009**

(54) **SPEAKER**

(75) Inventors: **Satoru Fujiwara**, Yao (JP); **Masahide Suzuki**, Yao (JP); **Yuka Asano**, Yao (JP); **Masahito Fukada**, Yao (JP)

(73) Assignee: **Hosiden Corporation**, Osaka (JP)

(**) Term: **14 Years**

(21) Appl. No.: **29/334,639**

(22) Filed: **Mar. 30, 2009**

Related U.S. Application Data

(62) Division of application No. 29/317,313, filed on Apr. 28, 2008, now Pat. No. Des. 592,643.

(30) **Foreign Application Priority Data**

Oct. 29, 2007 (JP) 2007-029638
Oct. 29, 2007 (JP) 2007-029639

(51) **LOC (9) Cl.** **14-01**

(52) **U.S. Cl.** **D14/214**

(58) **Field of Classification Search** D14/204,
D14/210–216, 172; 181/143–144, 147–148,
181/150–153, 157, 198–199; 381/300–303,
381/306, 332–333, 336, 345, 361–364, 386–388
See application file for complete search history.

(56) **References Cited**

U.S. PATENT DOCUMENTS

D511,766 S 11/2005 Suzuki

D519,986 S 5/2006 Kamimura et al.
D533,163 S 12/2006 Takase et al.
D535,977 S 1/2007 Suzuki
D542,272 S * 5/2007 Shiono D14/214
D565,548 S * 4/2008 Yoshinaga et al. D14/214

* cited by examiner

Primary Examiner—Nanda Bondade

(74) *Attorney, Agent, or Firm*—Panitch Schwarze Belisario & Nadel LLP

(57) **CLAIM**

The ornamental design for a speaker, as shown and described.

DESCRIPTION

FIG. 1 is a front, left side and bottom perspective view of a speaker in accordance with our new design;
FIG. 2 is a back, right side and top perspective view thereof;
FIG. 3 is a front elevation view thereof;
FIG. 4 is a rear elevation view thereof;
FIG. 5 is a left side elevation view thereof;
FIG. 6 is a top plan view thereof; and,
FIG. 7 is a bottom plan view thereof.

1 Claim, 3 Drawing Sheets

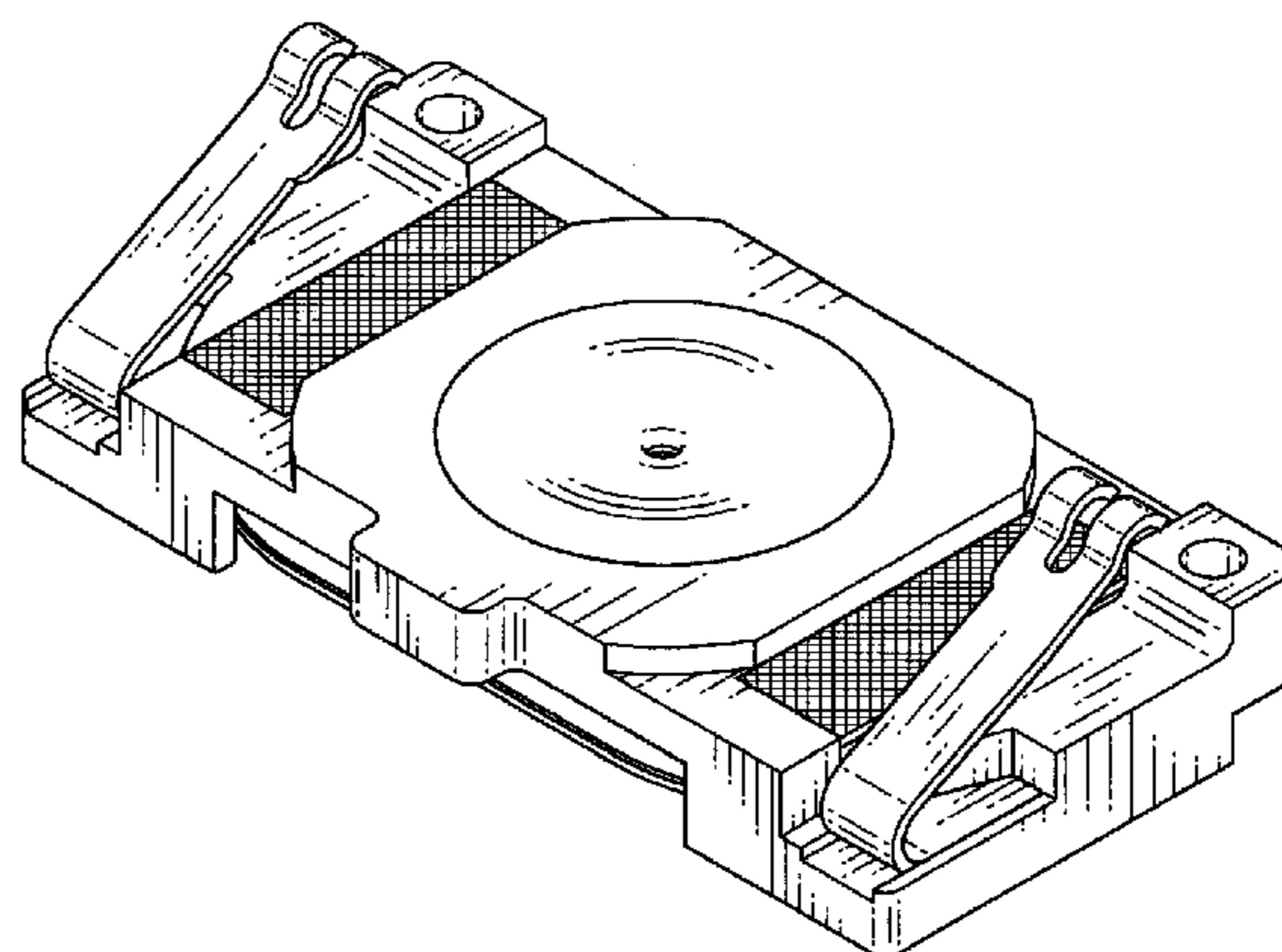
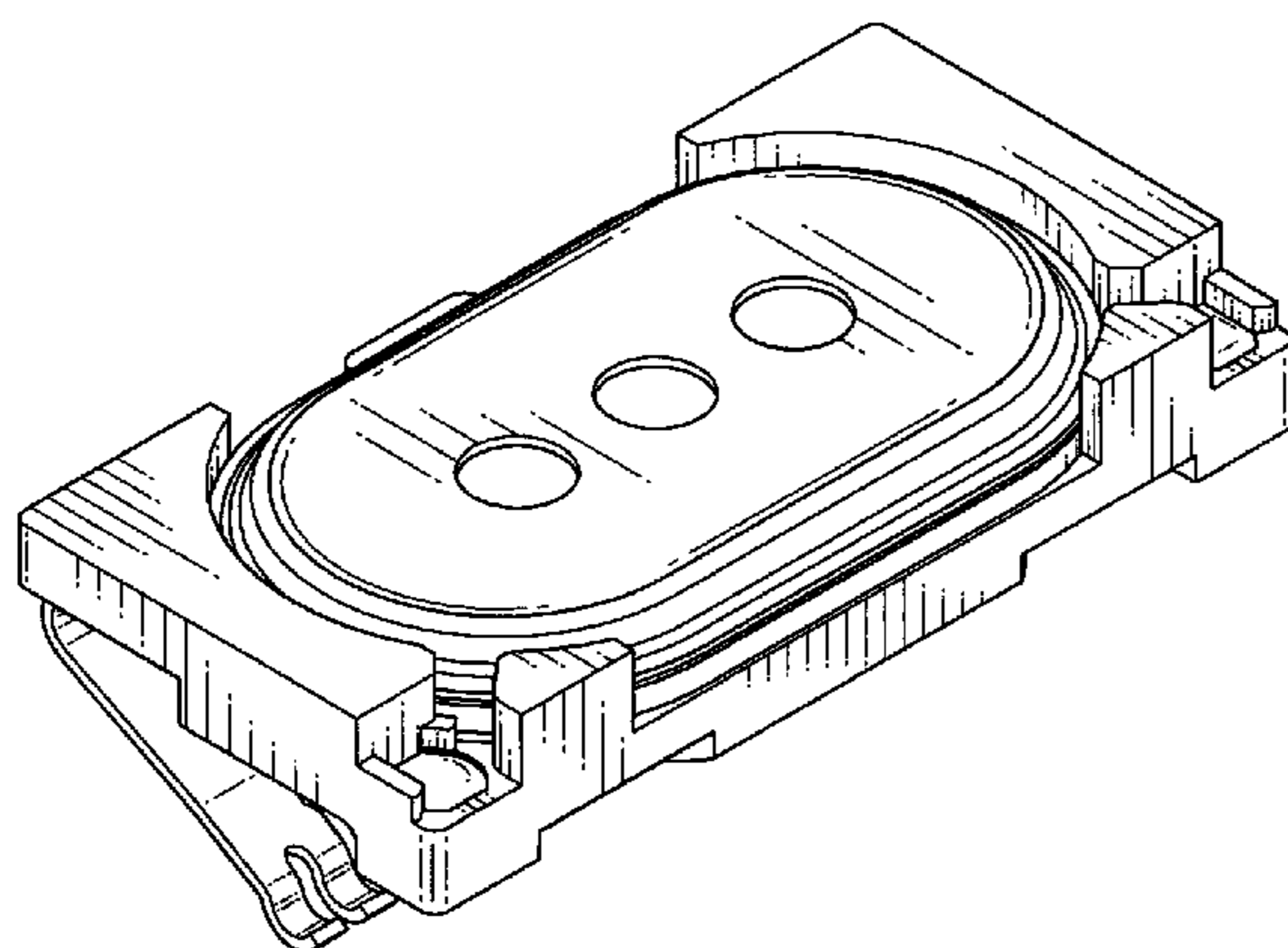


Fig. 1

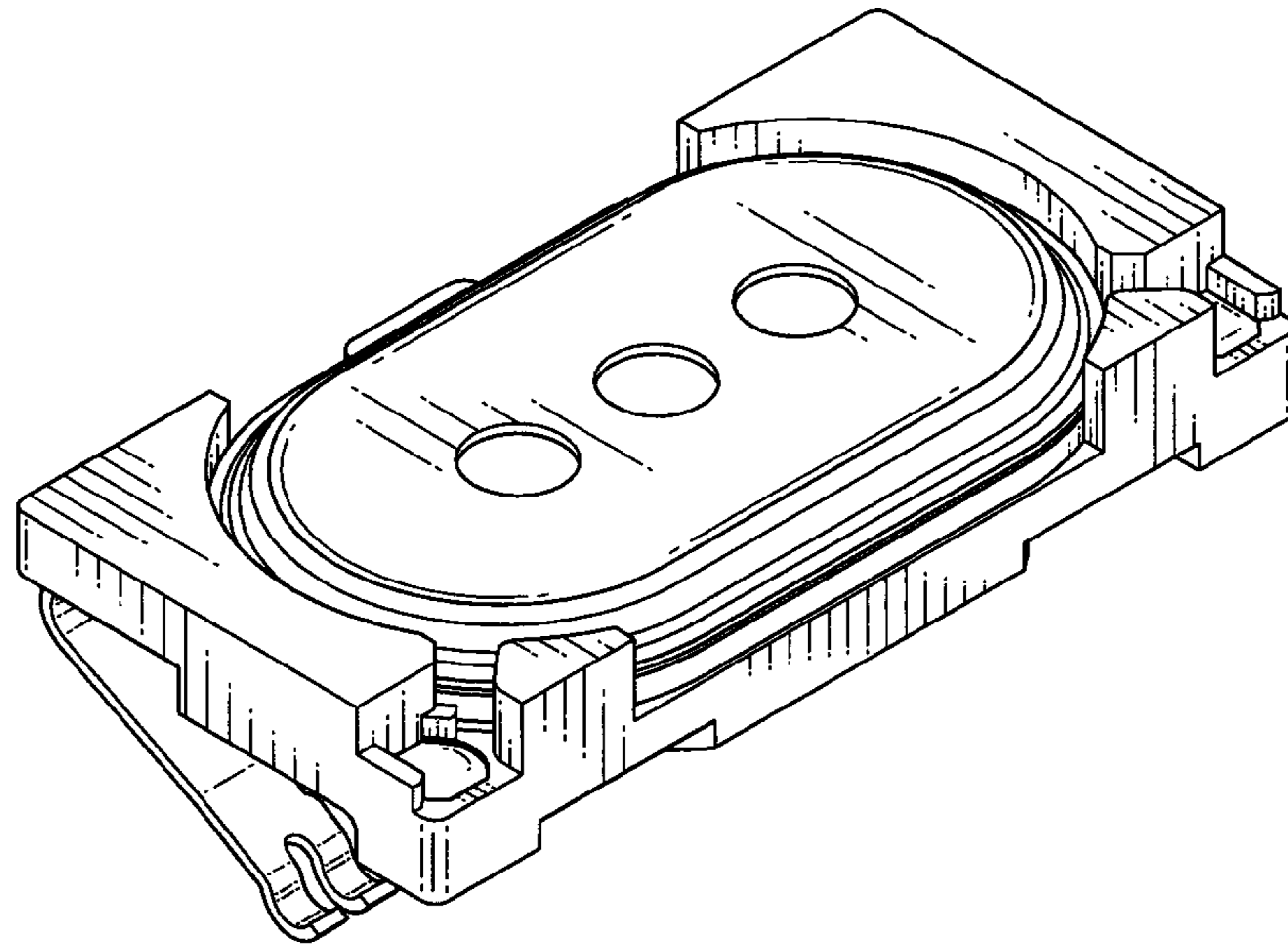


Fig. 2

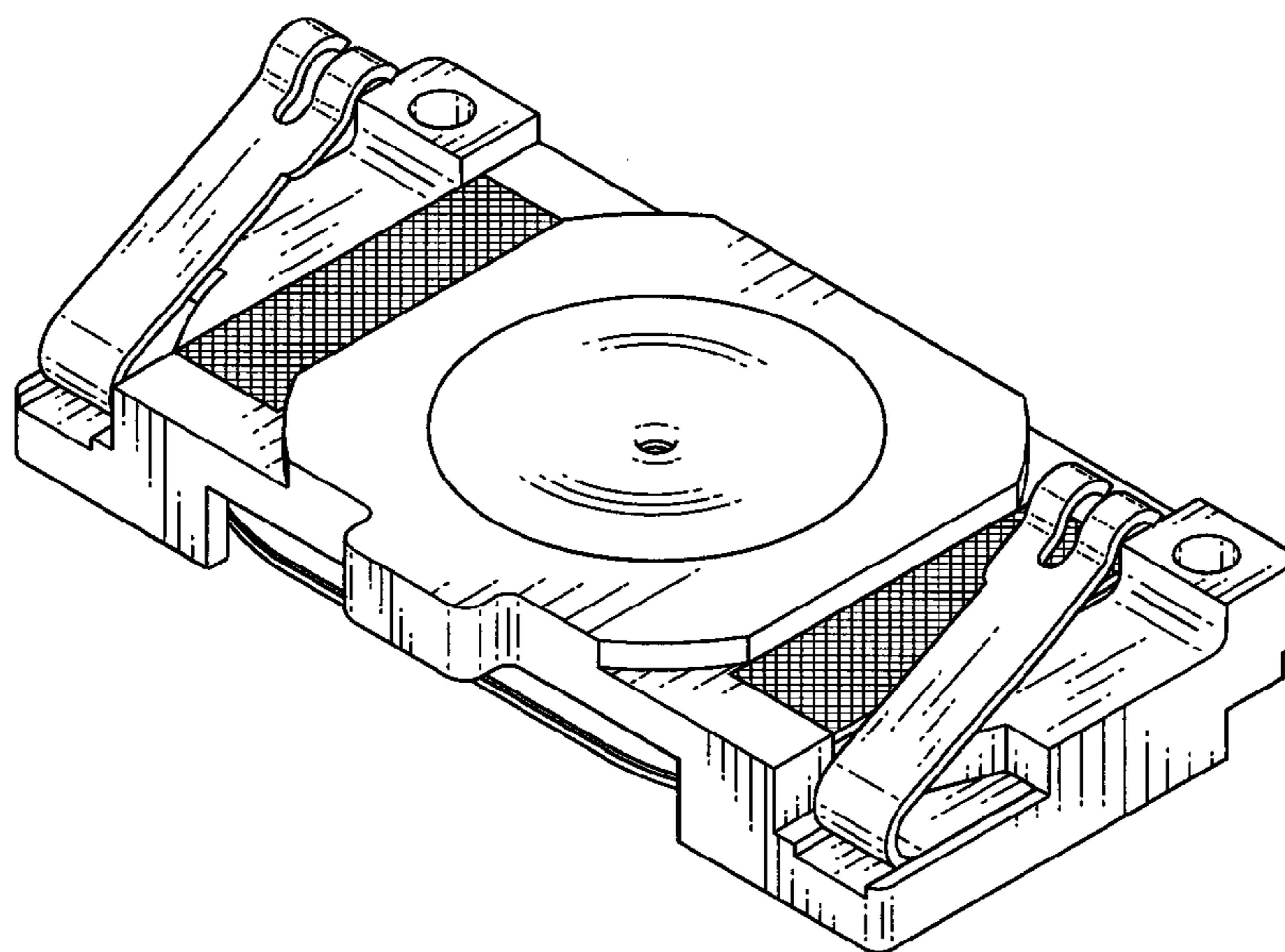


Fig. 3

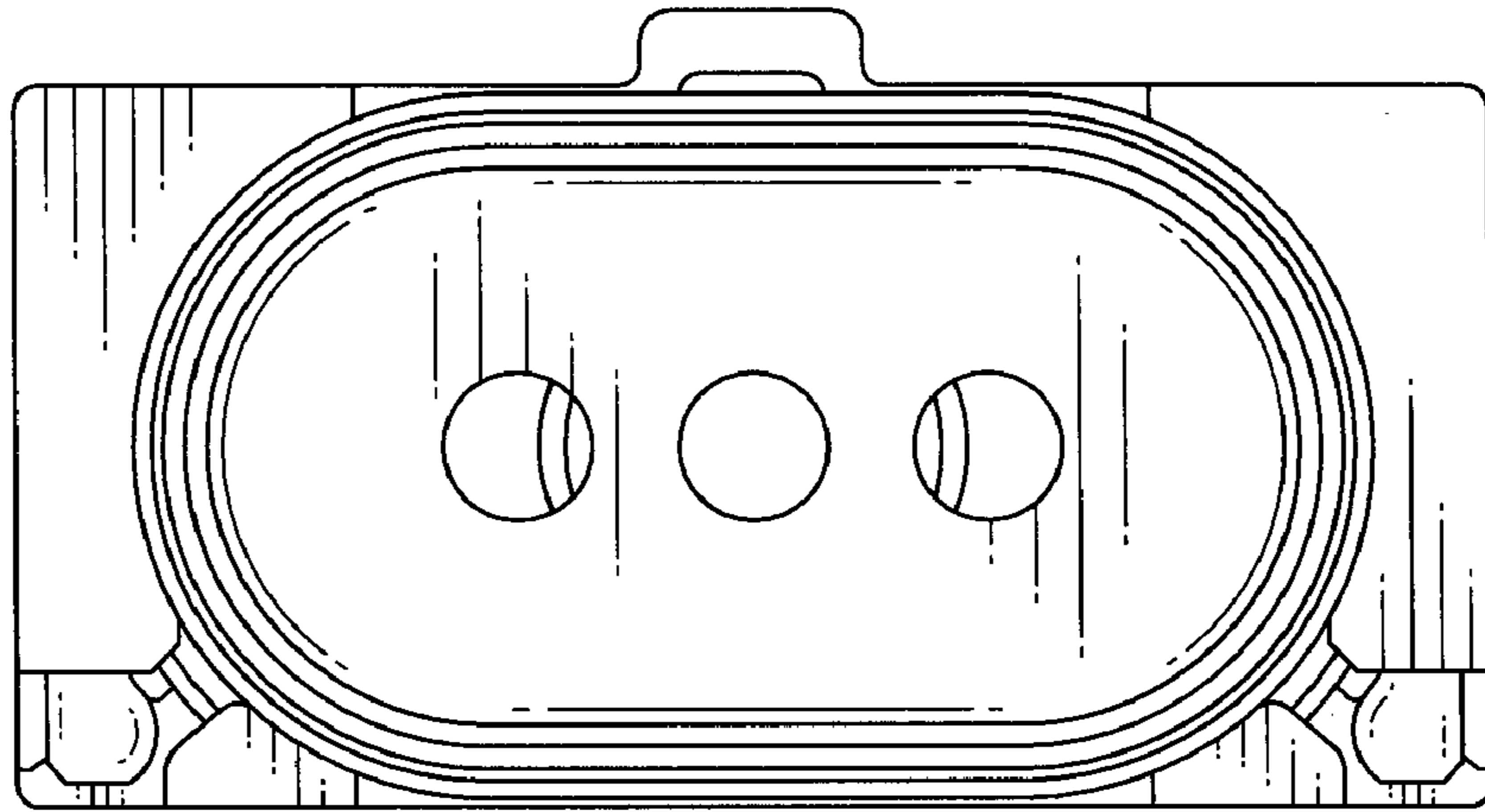


Fig. 4

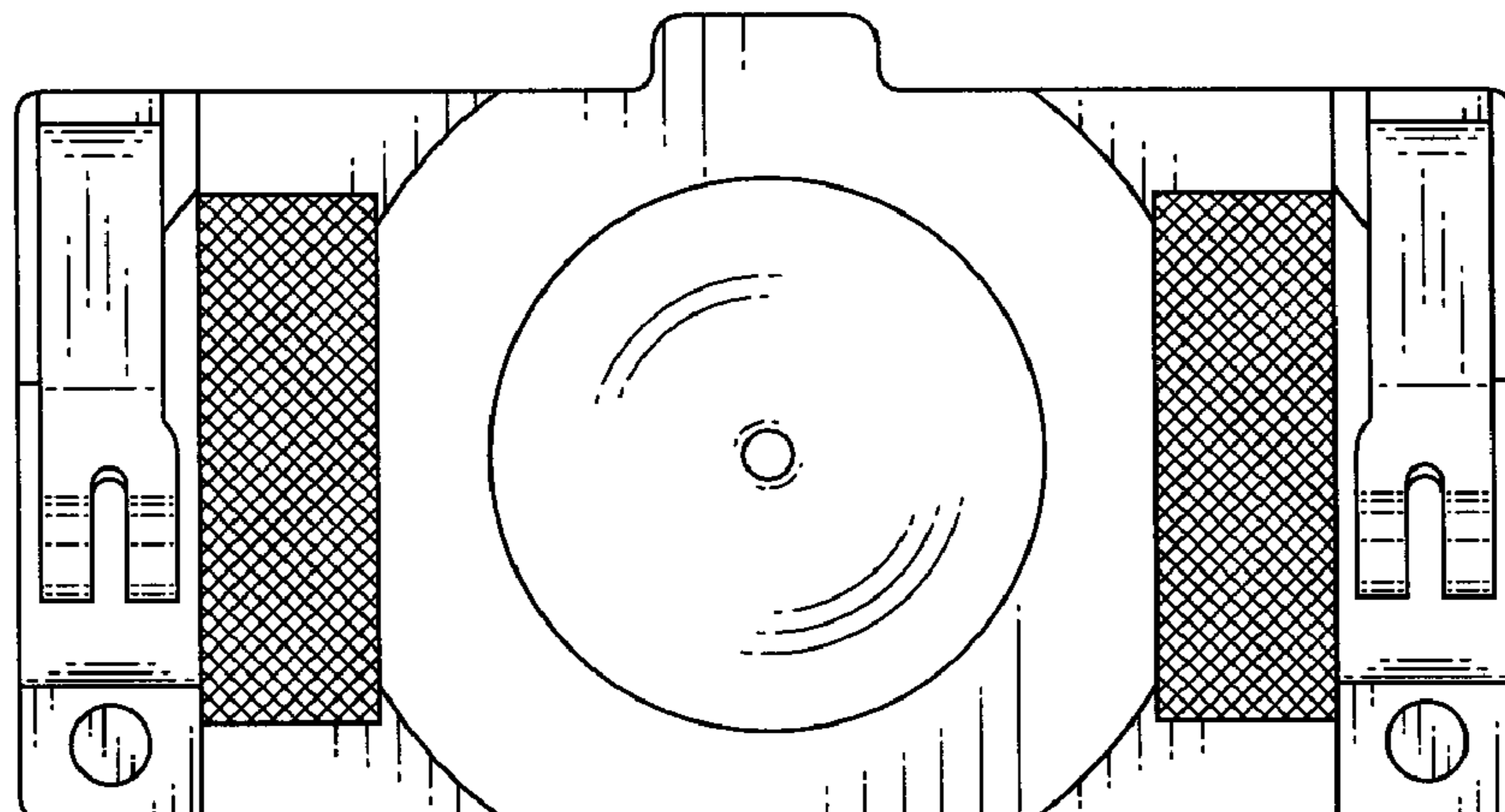


Fig. 5

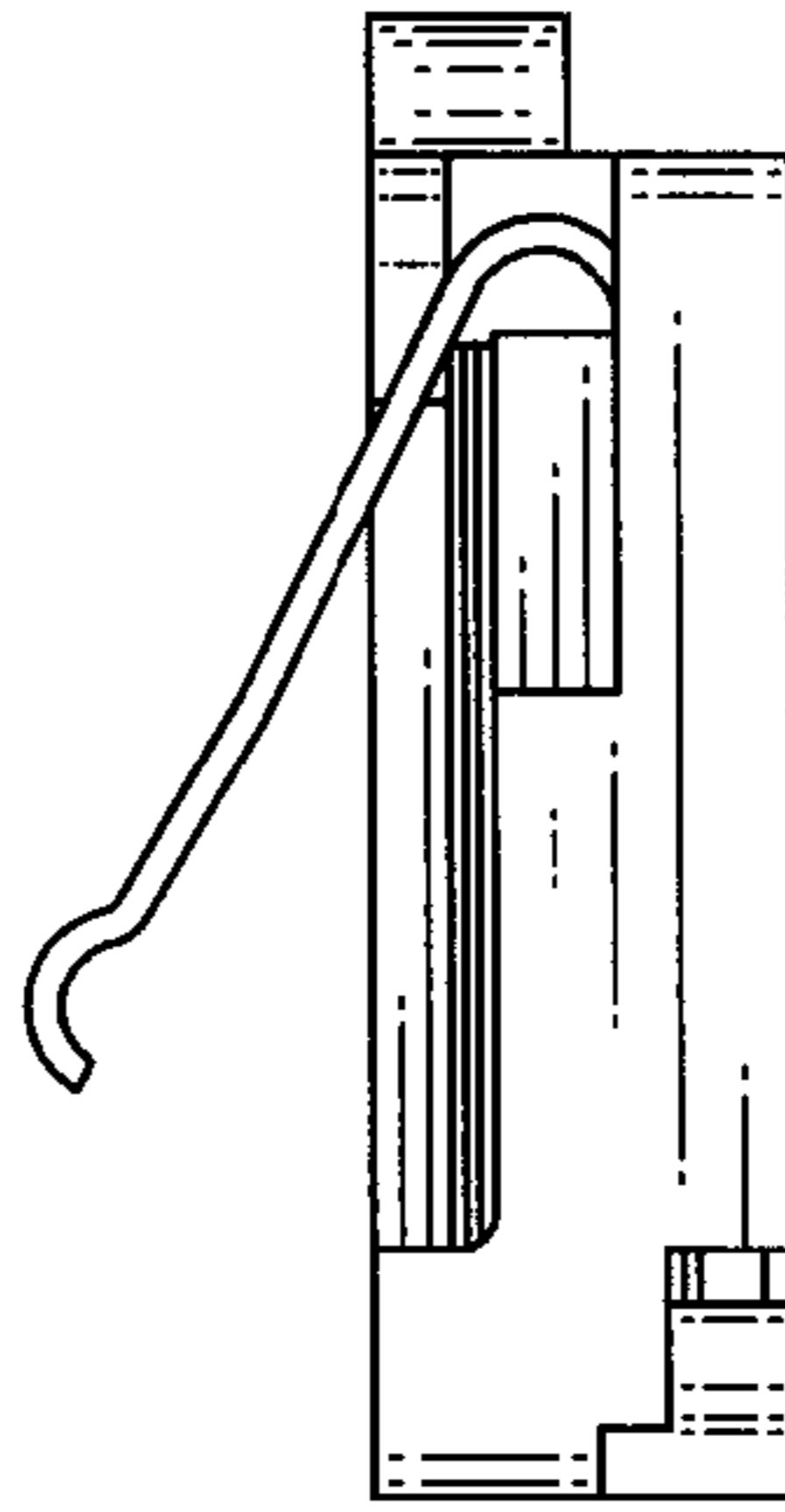


Fig. 6



Fig. 7

