

US00D598423S

(12) **United States Design Patent**
Lamarche et al.

(10) **Patent No.:** **US D598,423 S**

(45) **Date of Patent:** **** Aug. 18, 2009**

(54) **KEY FOB**

(76) Inventors: **Patricia Lamarche**, 2277 SW. 131st Ter., Miramar, FL (US) 33027; **Oscar Lamarche**, 2277 SW. 131st Ter., Miramar, FL (US) 33027

(**) Term: **14 Years**

(21) Appl. No.: **29/302,043**

(22) Filed: **Jan. 9, 2008**

(51) **LOC (9) Cl.** **14-03**

(52) **U.S. Cl.** **D14/191**

(58) **Field of Classification Search** D14/137, D14/155, 159, 191-193, 299, 496; D10/106; 340/7.1, 7.2-7.28, 7.63, 539.13-539.15; 380/31-34, 270, 271; 455/3.01-3.05, 90.1-90.3, 455/95, 128, 347, 351

See application file for complete search history.

(56) **References Cited**

U.S. PATENT DOCUMENTS

5,389,934	A	2/1995	Kass	
D415,441	S *	10/1999	Pinchuk	D10/104
D443,543	S	6/2001	Jost	
D458,017	S *	6/2002	Yehudai	D3/209
D459,340	S *	6/2002	Leyde et al.	D14/197
D487,733	S *	3/2004	Lucaci et al.	D14/137
D495,483	S *	9/2004	Vickers et al.	D3/208

6,807,564	B1	10/2004	Zellner et al.	
D501,715	S *	2/2005	Etienne	D3/211
6,859,171	B2	2/2005	Durst et al.	
D517,440	S *	3/2006	Gehalo et al.	D10/106
D534,148	S *	12/2006	Taylor et al.	D14/155
D577,485	S *	9/2008	Mohs	D3/207
D584,291	S *	1/2009	Tsao	D14/218
2004/0085207	A1	5/2004	Kreiner et al.	
2005/0068168	A1	3/2005	Aupperle et al.	
2006/0132308	A1	6/2006	Stump et al.	

* cited by examiner

Primary Examiner—Stella M Reid

Assistant Examiner—Keli L Hill

(74) *Attorney, Agent, or Firm*—Kyle Fletcher

(57) **CLAIM**

The ornamental design for the key fob, device as shown and described.

DESCRIPTION

FIG. 1 is a front view of the device.

FIG. 2 is a rear view of the device.

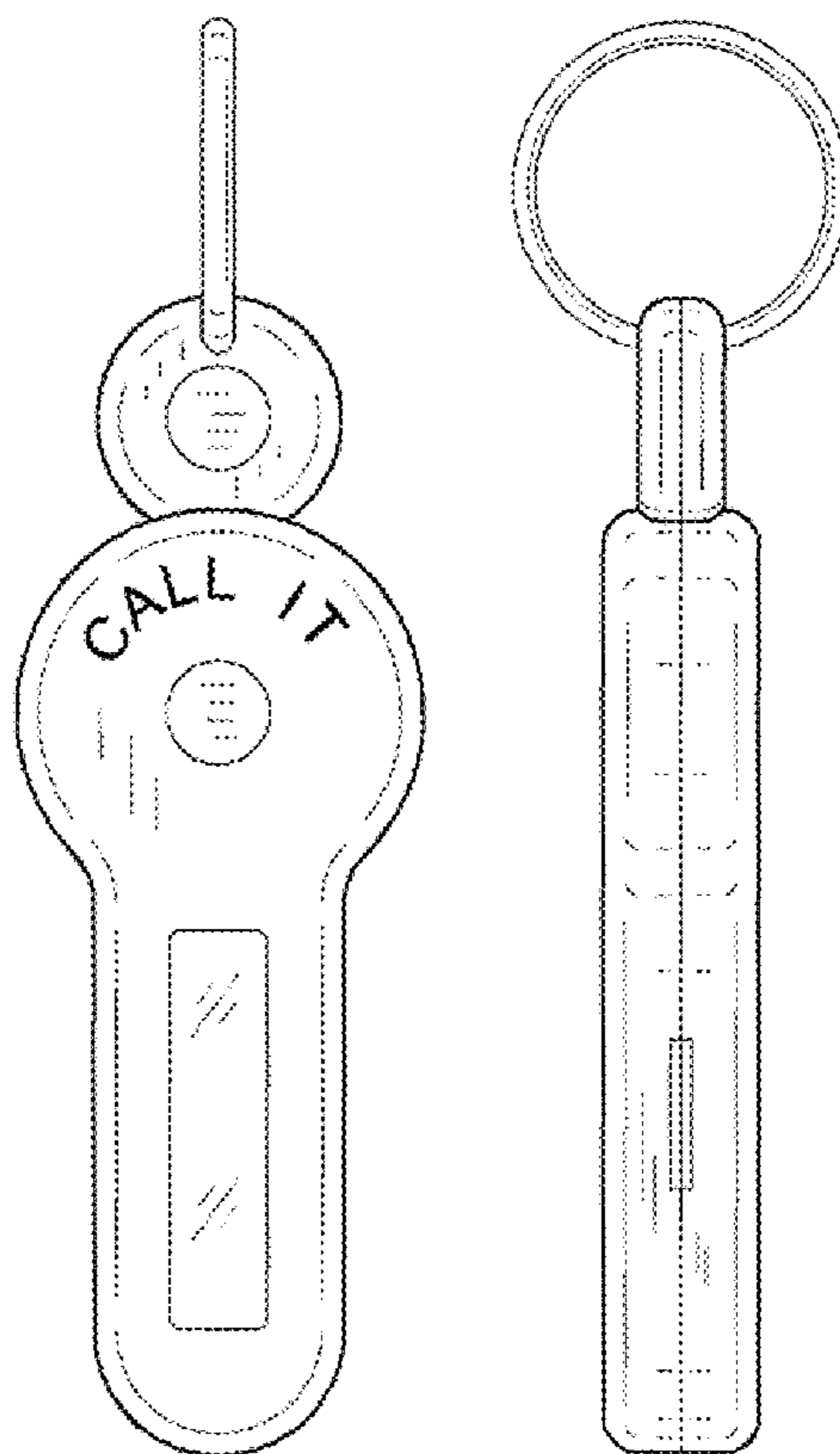
FIG. 3 is a left side view of the device.

FIG. 4 is a right side view of the device.

FIG. 5 is a top view of the device; and,

FIG. 6 is a bottom view of the device.

1 Claim, 2 Drawing Sheets



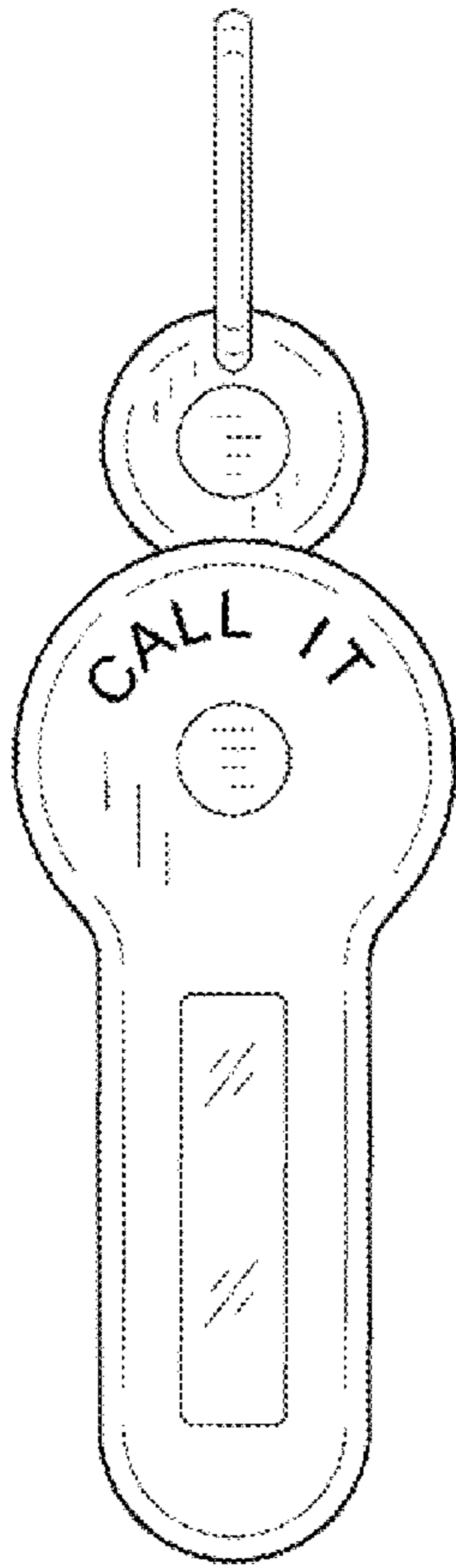


FIG. 1

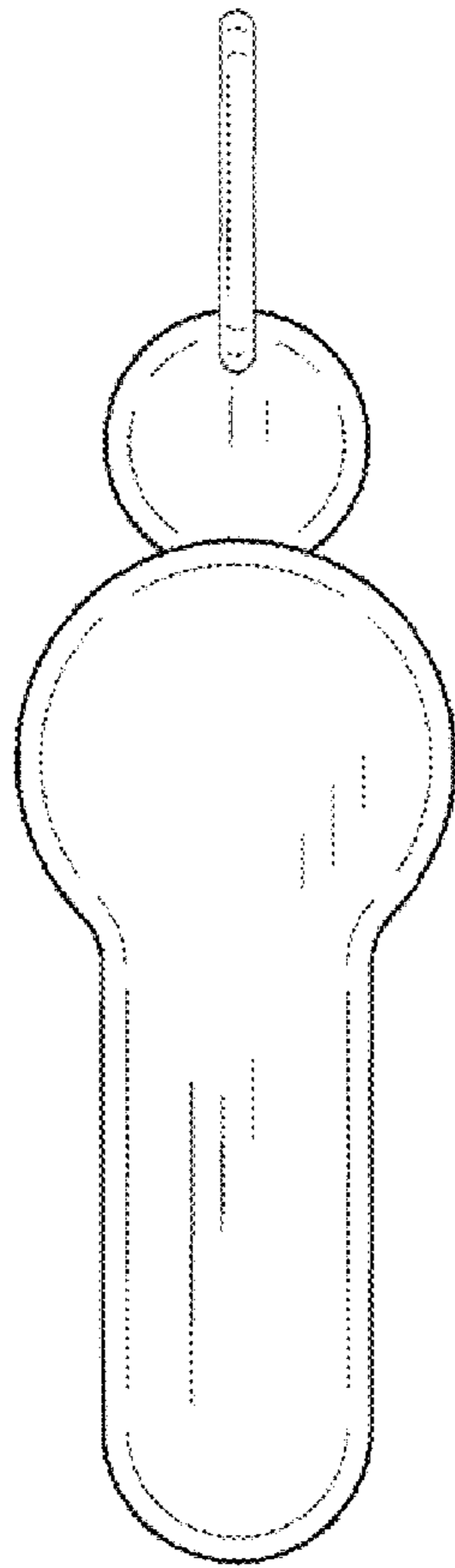


FIG. 2

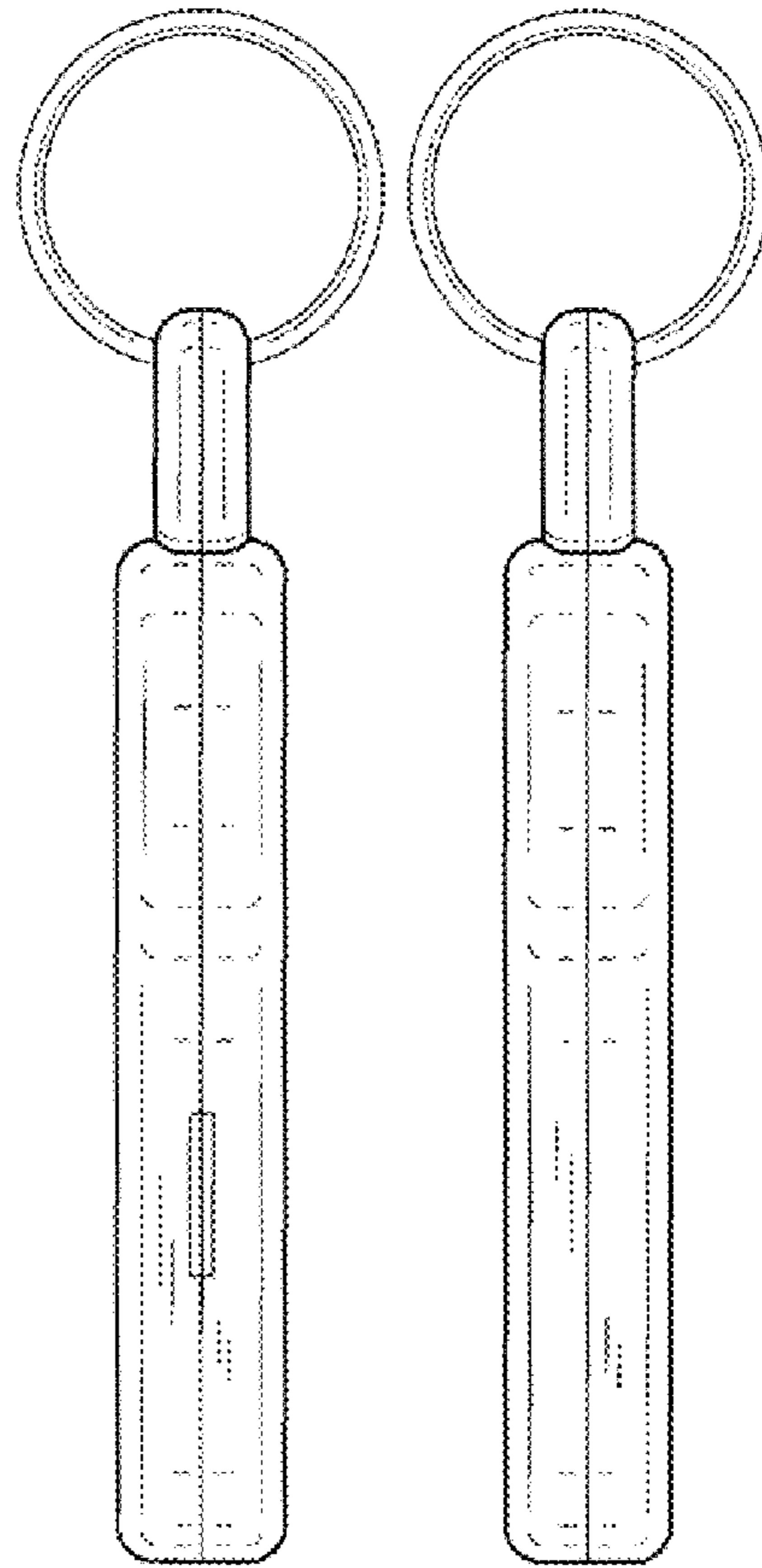


FIG. 3 FIG. 4

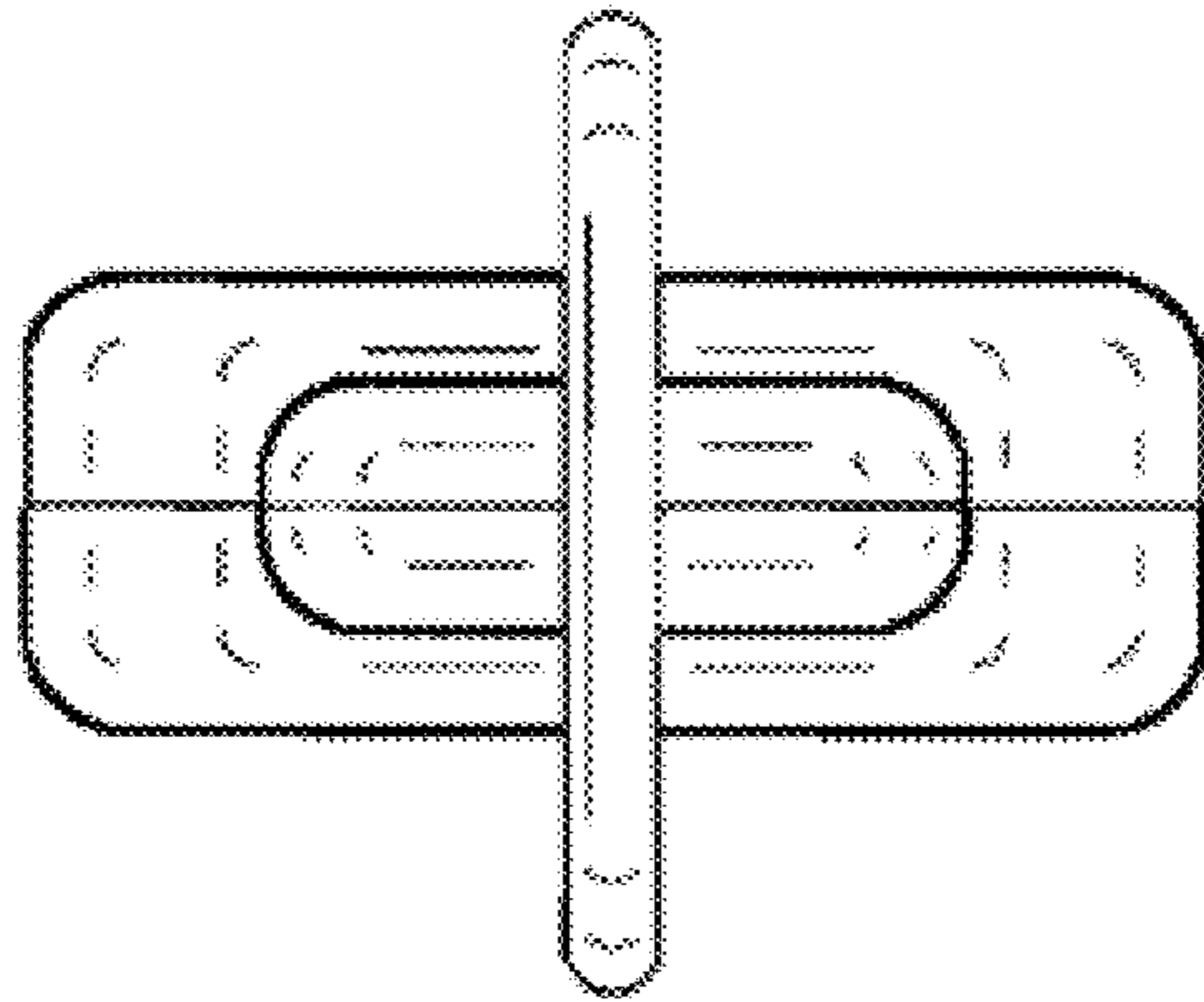


FIG. 5

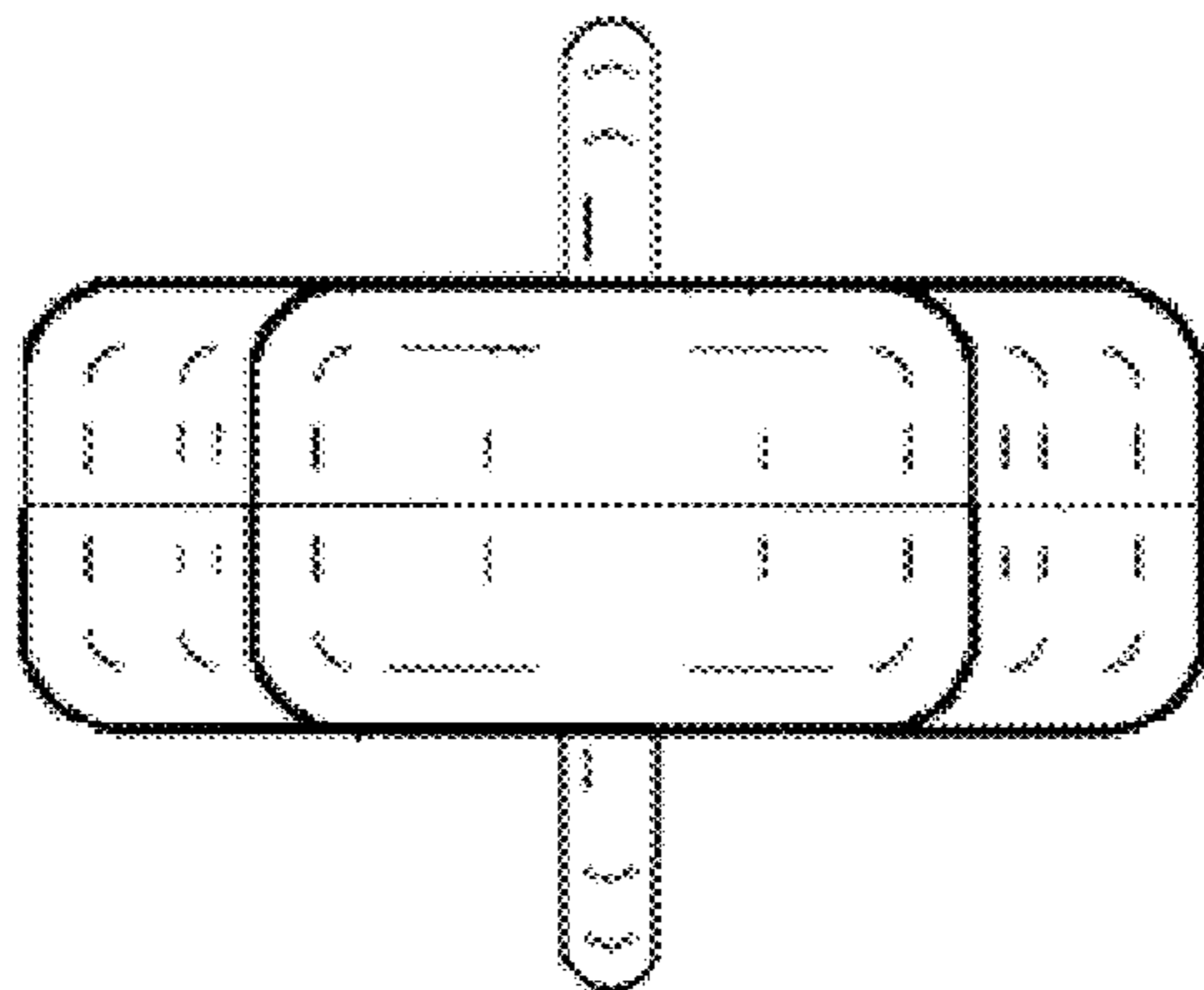


FIG. 6