



US00D598422S

(12) **United States Design Patent**
Wada

(10) **Patent No.:** **US D598,422 S**

(45) **Date of Patent:** **** Aug. 18, 2009**

(54) **AMPLIFIER**

D588,097 S * 3/2009 Tanaka D14/188

(75) Inventor: **Takayuki Wada**, Tokyo (JP)

FOREIGN PATENT DOCUMENTS

(73) Assignee: **Sony Corporation**, Tokyo (JP)

JP D1092837 S 12/2000
JP D1182566 S 8/2003
JP D1329498 S 5/2008

(**) Term: **14 Years**

* cited by examiner

(21) Appl. No.: **29/309,728**

Primary Examiner—Stella M Reid

Assistant Examiner—Keli L Hill

(22) Filed: **Sep. 30, 2008**

(74) *Attorney, Agent, or Firm*—Rader, Fishman & Grauer, PLLC

(30) **Foreign Application Priority Data**

Jul. 25, 2008 (CN) 2008 3 0140200

(57) **CLAIM**

(51) **LOC (9) Cl.** **14-03**

The ornamental design for an amplifier, as shown and described.

(52) **U.S. Cl.** **D14/188**

(58) **Field of Classification Search** D14/168,
D14/169, 179, 188, 194–198, 215, 217, 257,
D14/265, 299, 496; 330/1 R, 3, 4, 250; 381/86,
381/120; 455/344–351

DESCRIPTION

See application file for complete search history.

FIG. 1 is a perspective view of an amplifier showing my new design;

FIG. 2 is a front elevational view thereof;

FIG. 3 is a left side elevational view thereof;

FIG. 4 is a right side elevational view thereof;

FIG. 5 is a top plan view thereof;

FIG. 6 is a bottom plan view thereof; and,

FIG. 7 is a rear elevational view thereof.

The broken lines immediately adjacent the shaded areas represent the bounds of the claimed design while all other broken lines are for illustrative purposes only; the broken lines form no part of the claimed design.

(56) **References Cited**

U.S. PATENT DOCUMENTS

D367,081 S * 2/1996 Leveridge D21/332
D466,716 S * 12/2002 Tobin, Jr. D6/393
D513,247 S 12/2005 Matsuoka
D548,723 S * 8/2007 Mizokawa D14/188
D549,214 S 8/2007 Uehara
D566,685 S * 4/2008 Koller et al. D14/188
D571,352 S * 6/2008 Yamamoto et al. D14/188
D573,976 S 7/2008 Yagihashi
D580,407 S * 11/2008 Tanaka D14/188

1 Claim, 7 Drawing Sheets

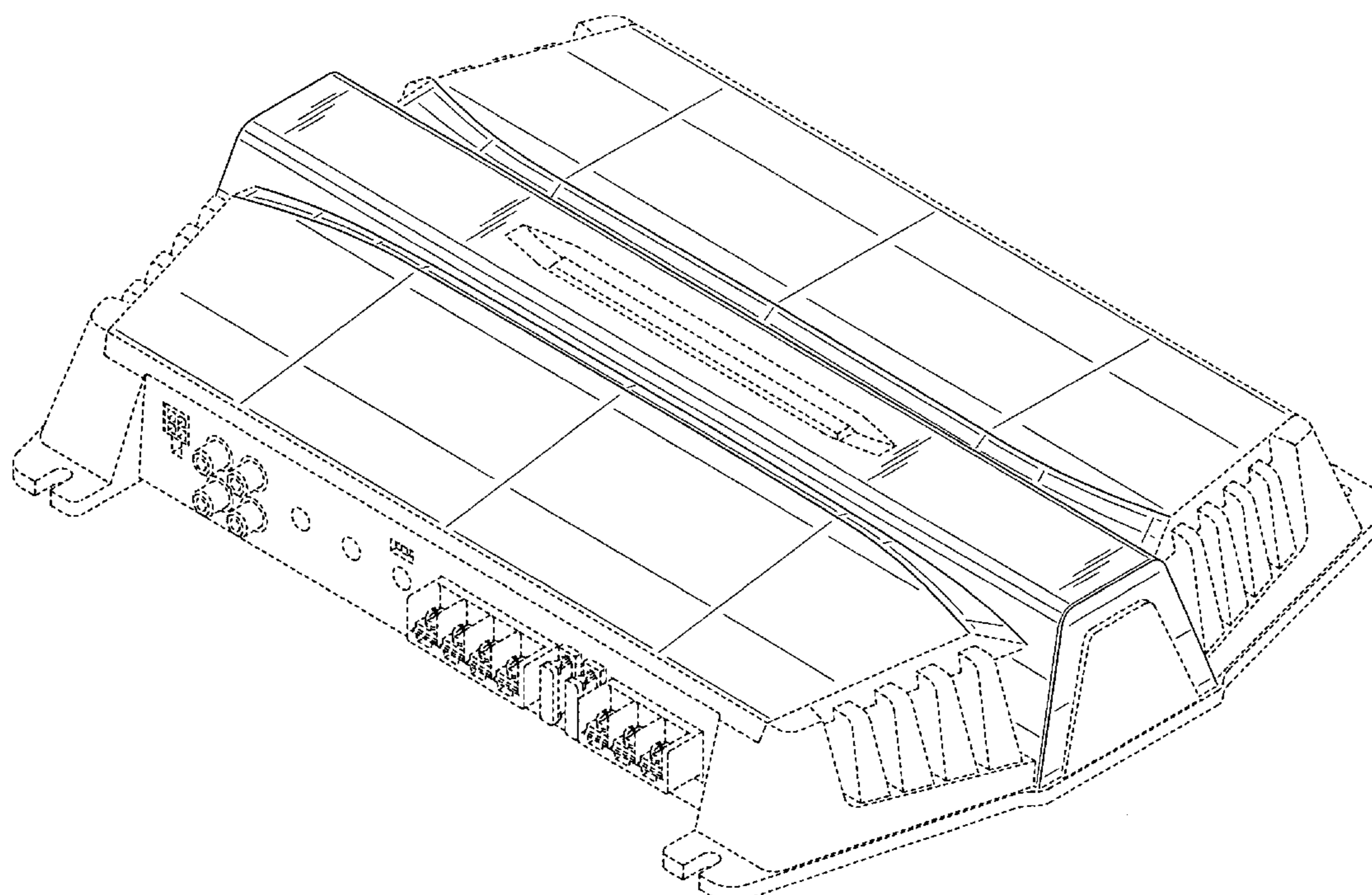
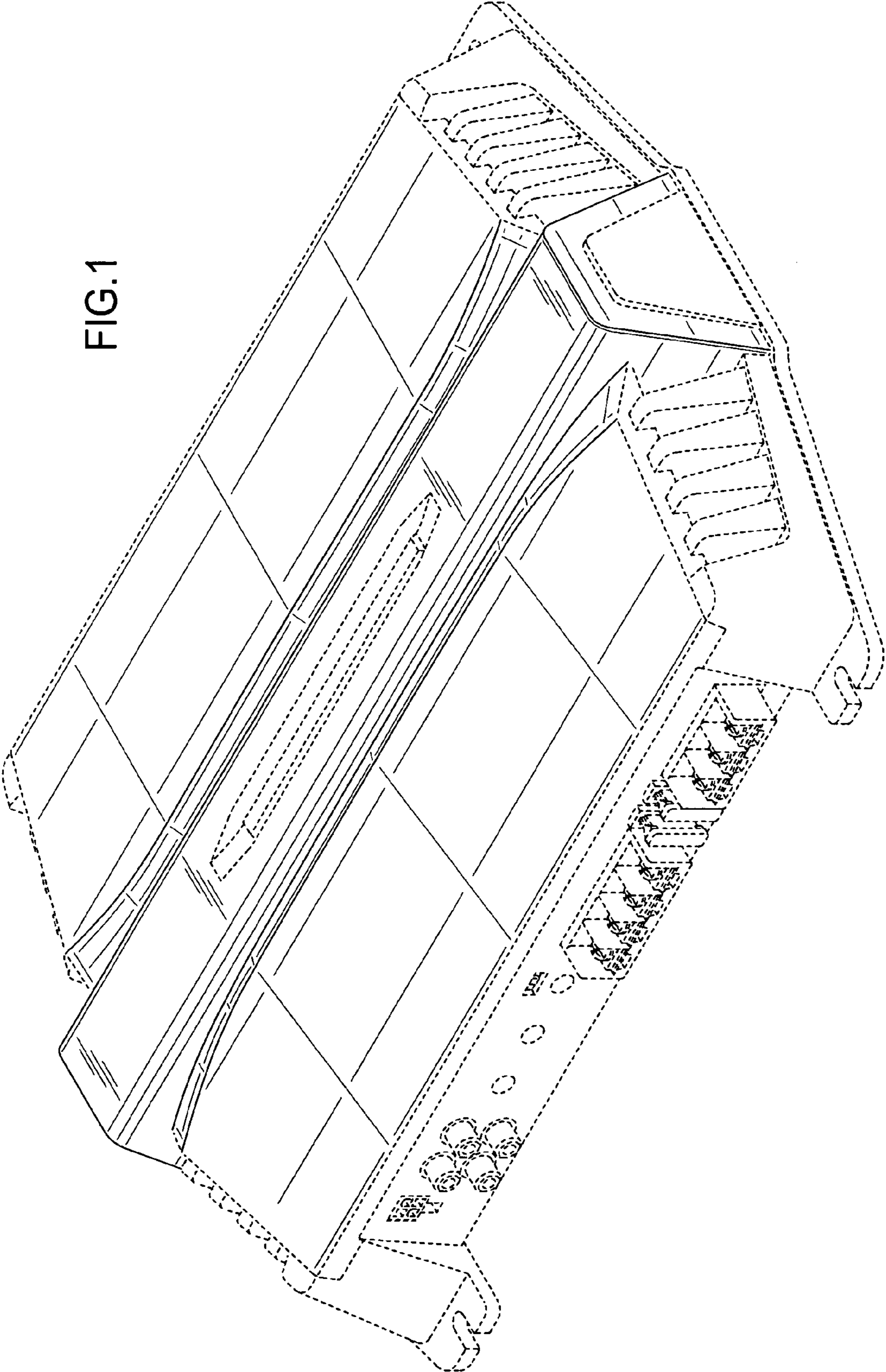


FIG.1



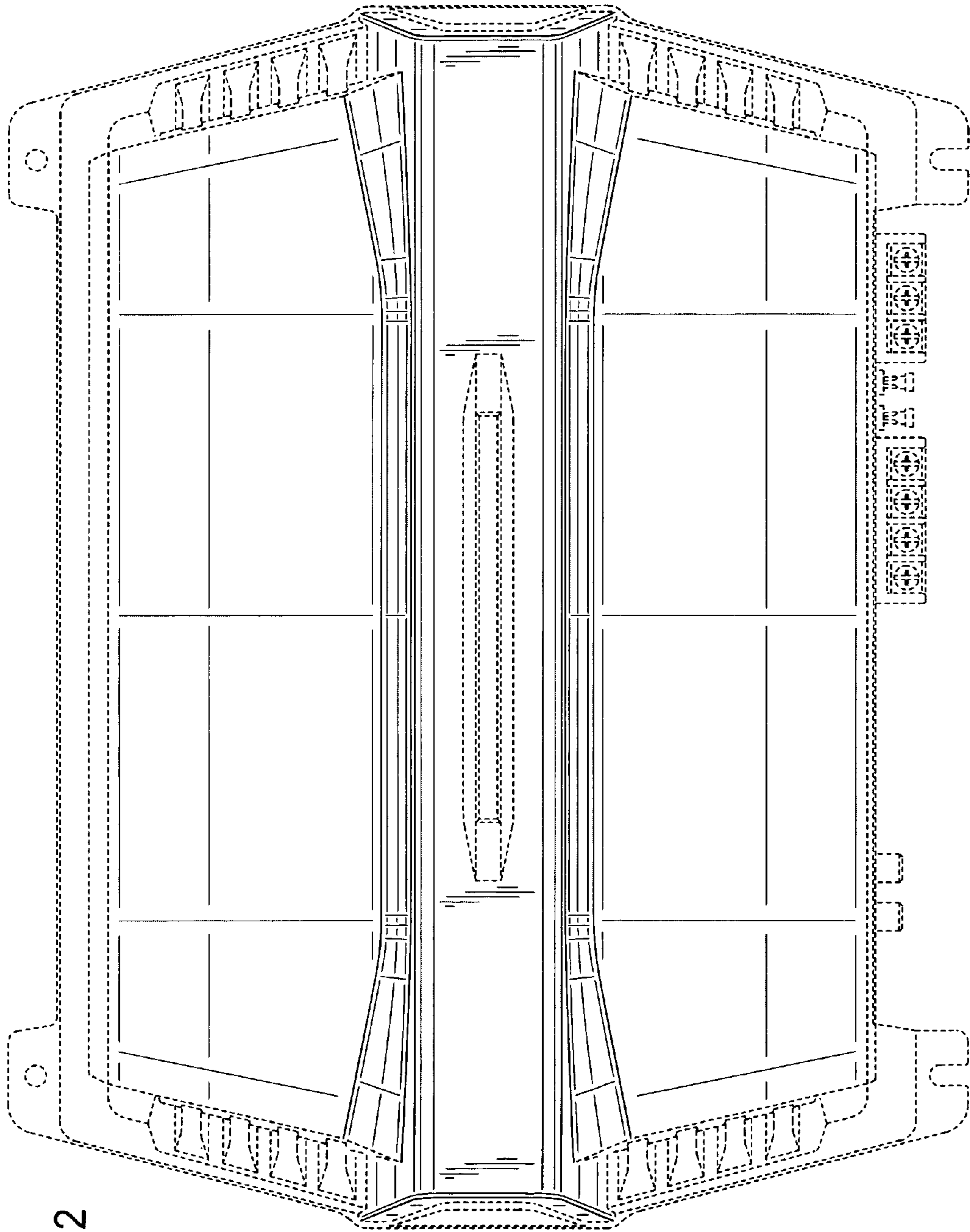


FIG.2

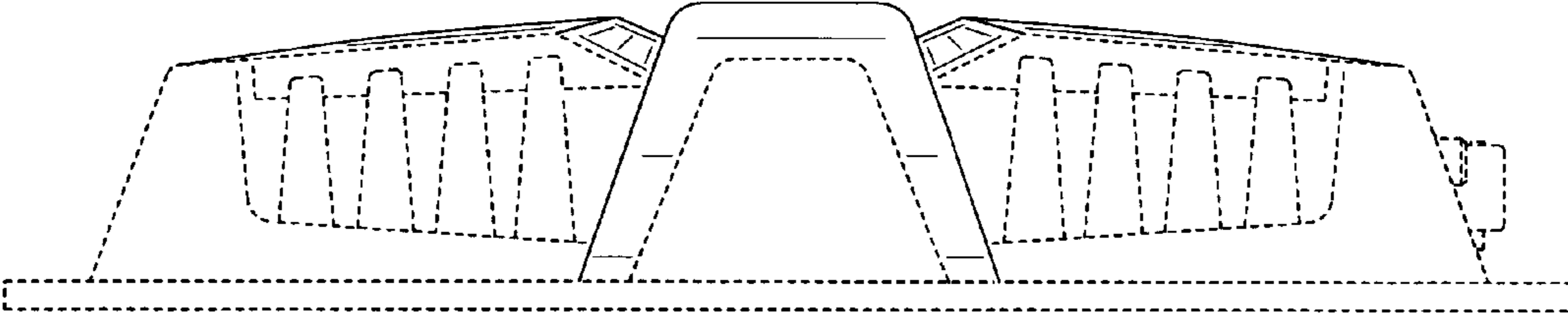


FIG.3

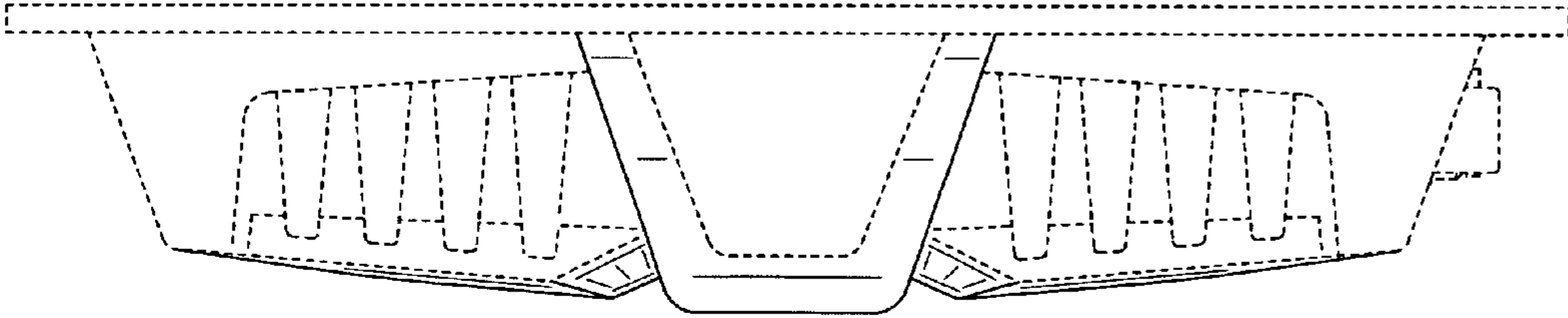


FIG.4

FIG.5

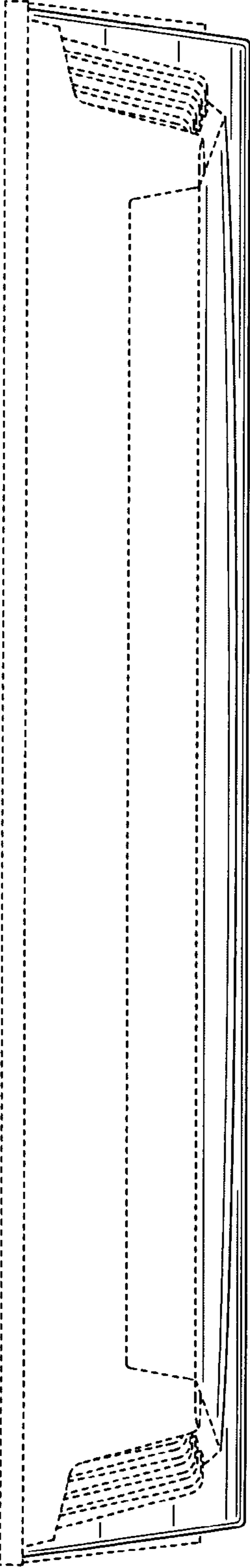
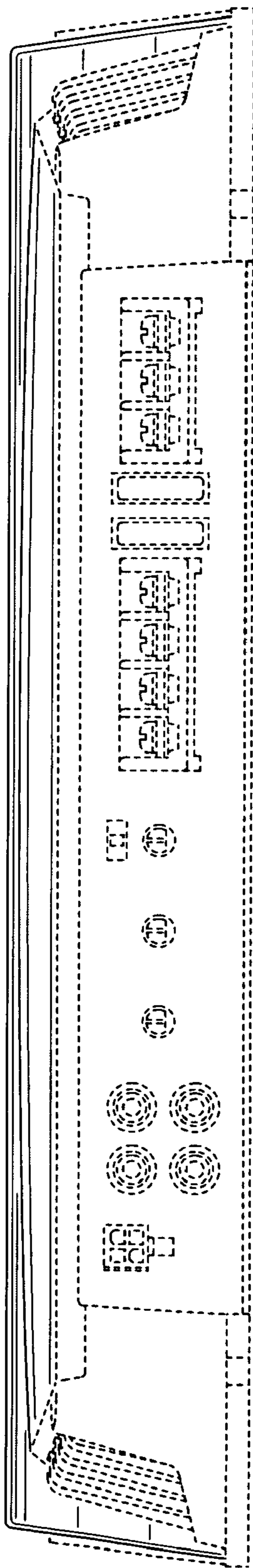


FIG.6



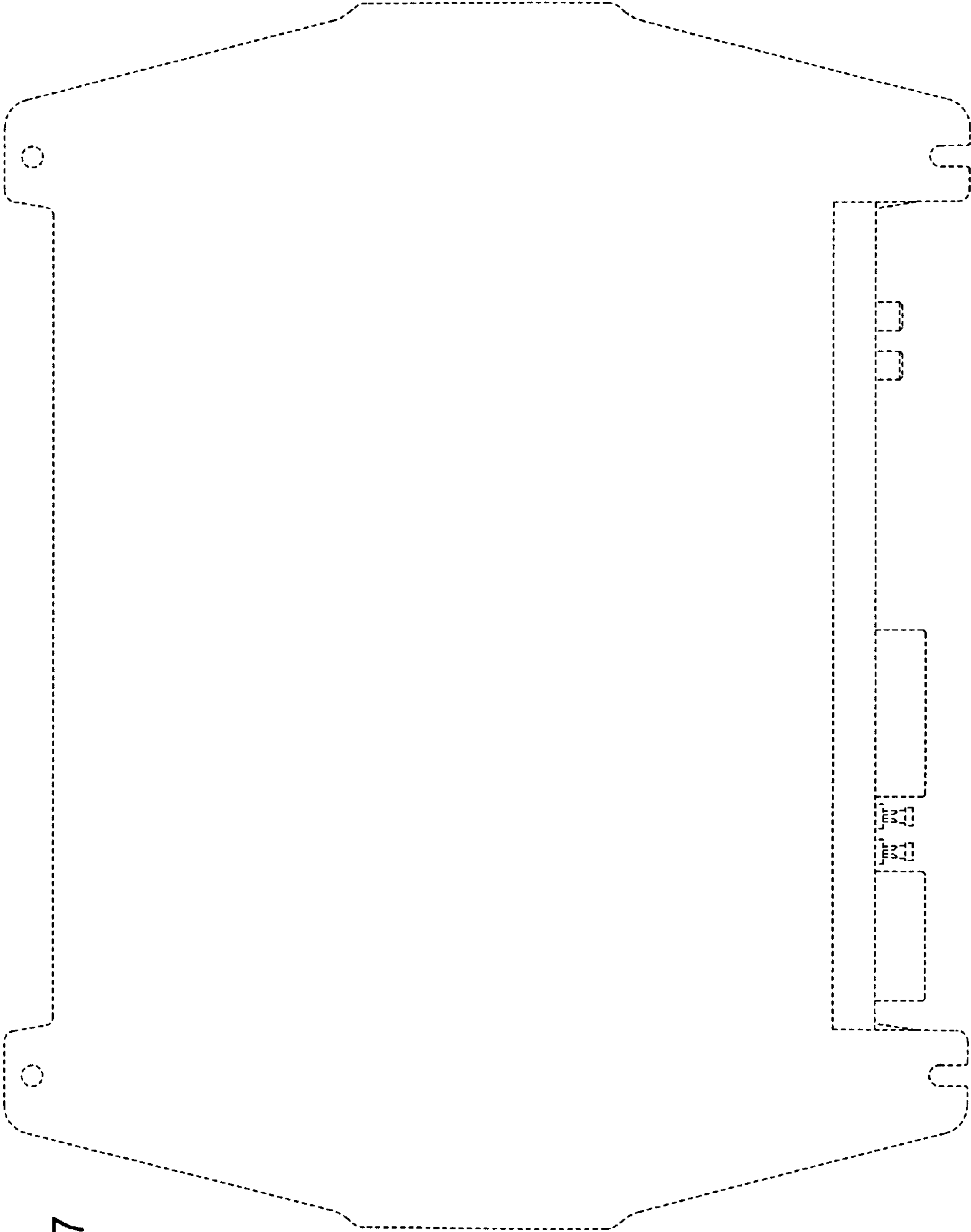


FIG. 7