



US00D598421S

(12) **United States Design Patent**
Kim et al.

(10) **Patent No.:** **US D598,421 S**
(45) **Date of Patent:** **** Aug. 18, 2009**

(54) **MOBILE PHONE**

(75) Inventors: **Eun-Young Kim**, Seoul (KR);
Young-Ju Yeo, Seoul (KR);
Chang-Hwan Hwang, Goyang-si (KR)

(73) Assignee: **Samsung Electronics Co., Ltd.**,
Suwon-Si (KR)

(**) Term: **14 Years**

(21) Appl. No.: **29/333,012**

(22) Filed: **Mar. 2, 2009**

(30) **Foreign Application Priority Data**

Nov. 27, 2008 (KR) 30-2008-0051038

(51) **LOC (9) Cl.** **14-03**

(52) **U.S. Cl.** **D14/138 AB**

(58) **Field of Classification Search** D14/138 AB,
D14/138 R, 496, 203.1–203.7, 341–347;
455/575.3

See application file for complete search history.

(56) **References Cited**

U.S. PATENT DOCUMENTS

D486,809 S *	2/2004	Hwang	D14/138 AB
D513,505 S *	1/2006	Lee	D14/138 AB
D530,300 S *	10/2006	Cha et al.	D14/138 AD
D534,518 S *	1/2007	Choi et al.	D14/138 AD
D535,635 S *	1/2007	Hwang et al.	D14/138 AB
D535,959 S *	1/2007	Cho et al.	D14/138 AB
D536,319 S *	2/2007	Kim	D14/138 AB
D536,690 S *	2/2007	Lee	D14/138 AD
D540,767 S *	4/2007	Kim et al.	D14/138 AB
D549,204 S *	8/2007	Cho	D14/138 AD
D552,056 S *	10/2007	Lee et al.	D14/138 AB
D559,216 S *	1/2008	Sheu	D14/138 AB
D568,852 S *	5/2008	Park	D14/138 AB
D571,772 S *	6/2008	Kim et al.	D14/138 AB
D576,599 S *	9/2008	Han et al.	D14/138 AB
D578,982 S *	10/2008	Jeong et al.	D14/138 R
D579,436 S *	10/2008	Kim et al.	D14/138 R
D582,370 S *	12/2008	Kim et al.	D14/138 AB
D582,879 S *	12/2008	Chung et al.	D14/138 R
D582,881 S *	12/2008	Son et al.	D14/138 AB
D583,347 S *	12/2008	Kim et al.	D14/138 AB
D585,043 S *	1/2009	Kwon et al.	D14/138 AB

D585,408 S *	1/2009	Kim et al.	D14/138 AB
D585,415 S *	1/2009	Lim et al.	D14/138 AB
D585,865 S *	2/2009	Lim et al.	D14/138 AB
D586,324 S *	2/2009	Lee et al.	D14/138 AB

OTHER PUBLICATIONS

Samsung T539 Beat telephone, announced Oct. 2007, [online], [site visited Mar. 17, 2009]. Available from Internet ,<URL: <http://www.gsmarena.com>>.*

Sagem my900C, announced Mar. 2006, [online], [site visited Mar. 17, 2009]. Available from Internet ,<URL: <http://www.gsmarena.com>>.*

Alcatel OT 835 telephone, announced 1st quarter 2004, [online], [site visited Mar. 17, 2009]. Available from Internet ,<URL: <http://www.gsmarena.com>>.*

Samsung X900 telephone, announced 1st quarter 2004, [online], [site visited Mar. 17, 2009]. Available from Internet ,<URL: <http://www.gsmarena.com>>.*

BenQ T51 telephone, announced Aug. 2007, [online], [site visited Mar. 17, 2009]. Available from Internet ,<URL: <http://www.gsmarena.com>>.*

* cited by examiner

Primary Examiner—Jeffrey D Asch

(74) *Attorney, Agent, or Firm*—Staas & Halsey LLP

(57) **CLAIM**

The ornamental design for a mobile phone, as shown and described.

DESCRIPTION

FIG. 1 is a front perspective view of a mobile phone;

FIG. 2 is a front view of the mobile phone of FIG. 1;

FIG. 3 is a rear view of the mobile phone of FIG. 1;

FIG. 4 is a left-side view of the mobile phone of FIG. 1;

FIG. 5 is a right-side view of the mobile phone of FIG. 1;

FIG. 6 is a top plan view of the mobile phone of FIG. 1;

FIG. 7 is a bottom plan view of the mobile phone of FIG. 1; and,

FIG. 8 is a front open view of the mobile phone of FIG. 1.

1 Claim, 5 Drawing Sheets

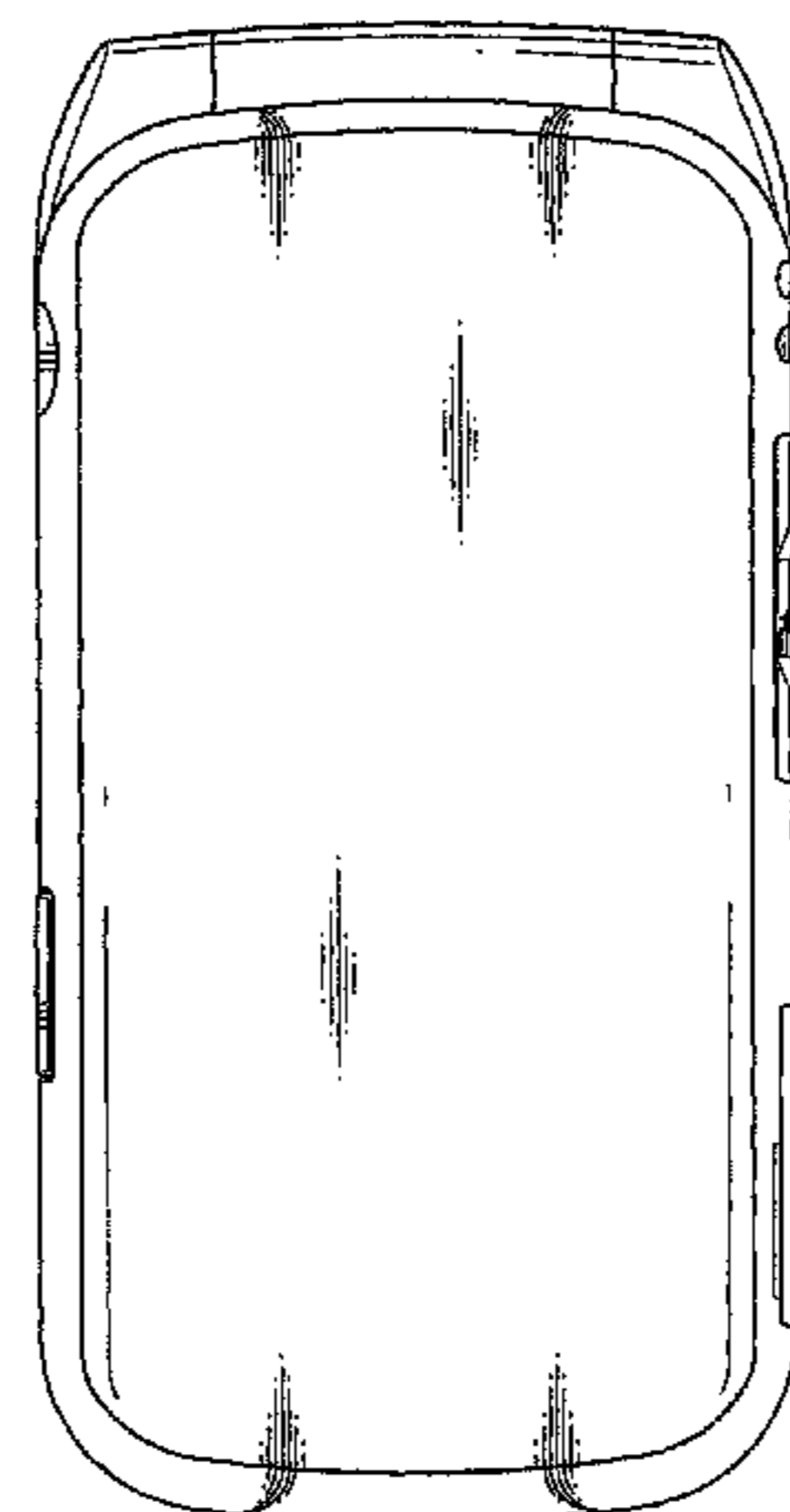
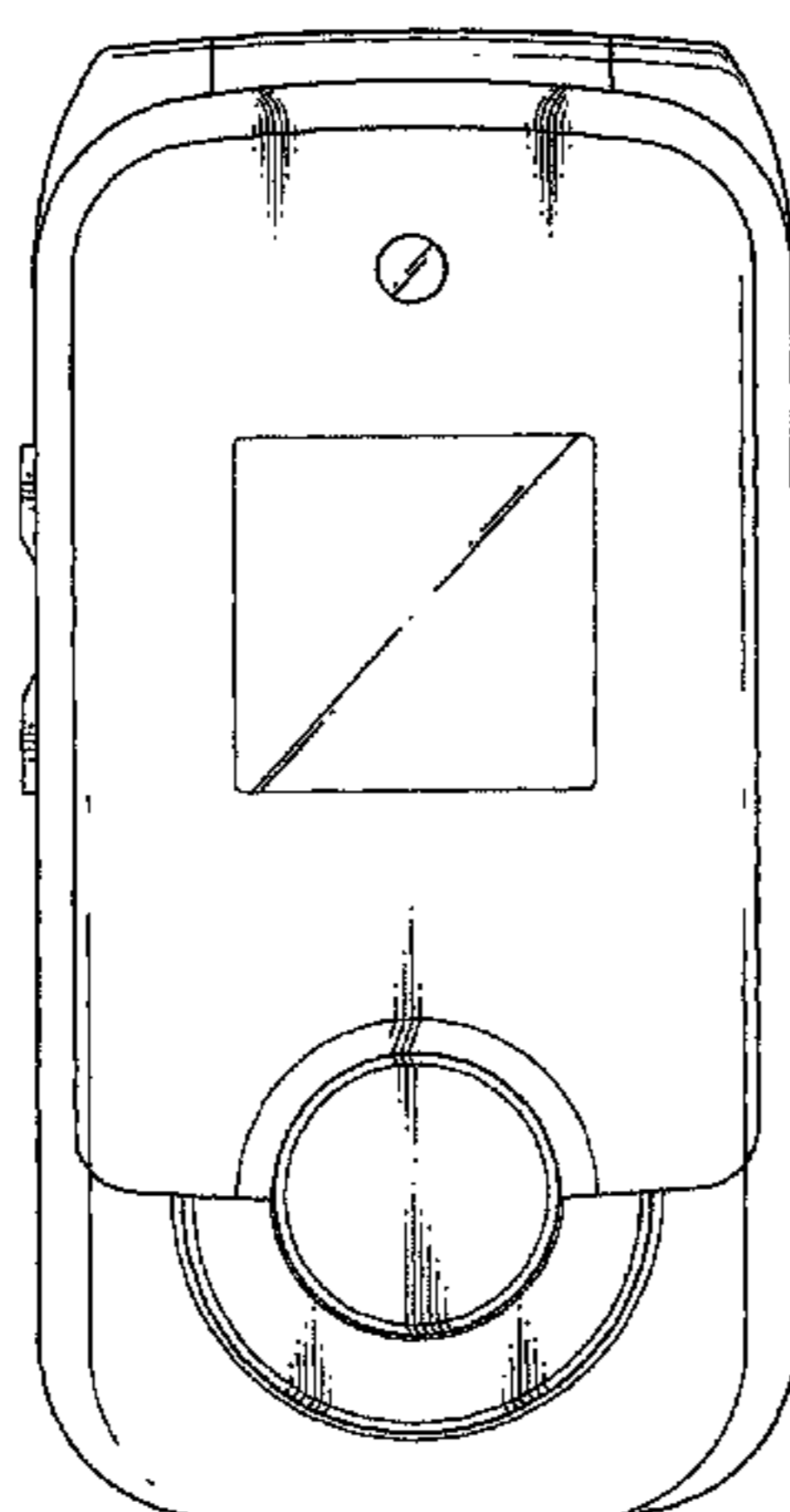


FIG. 1

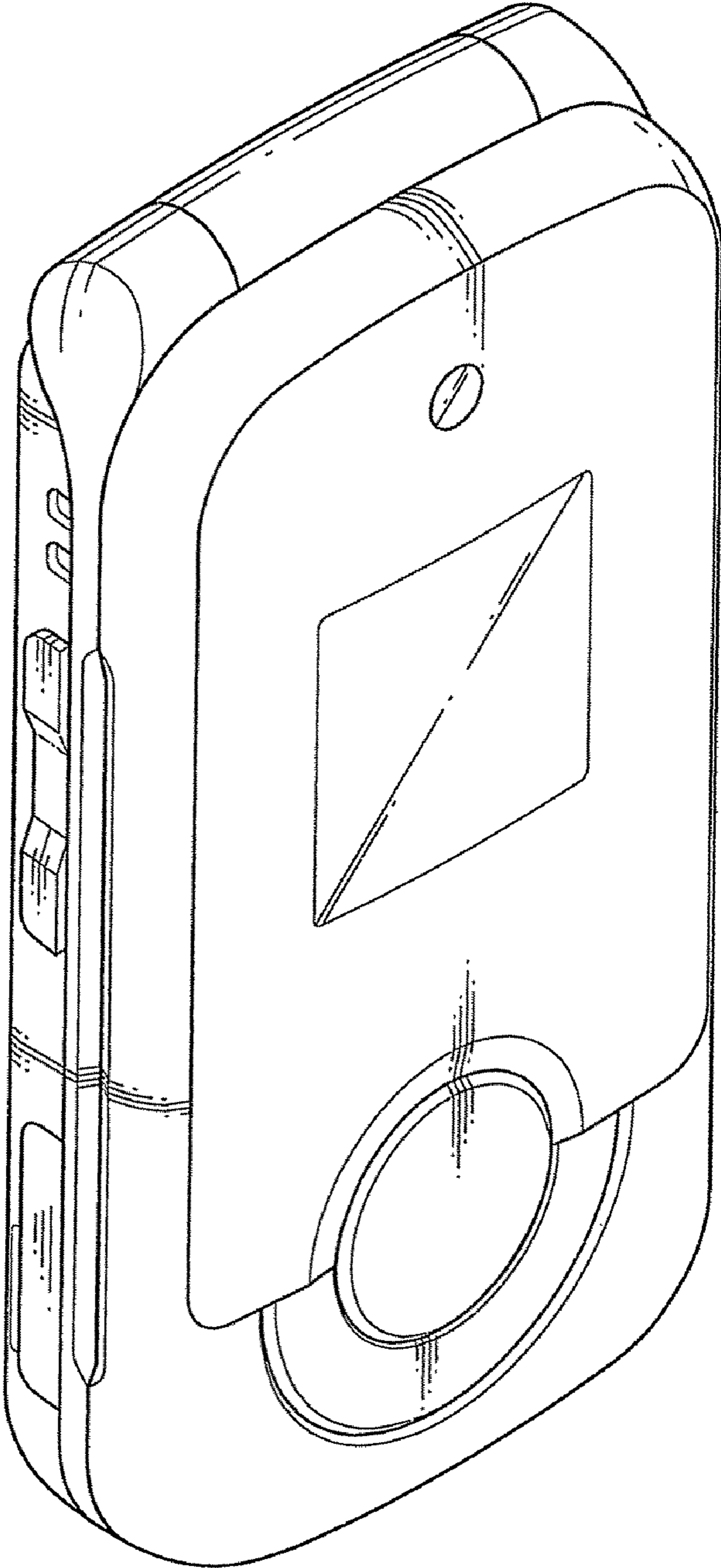


FIG.2

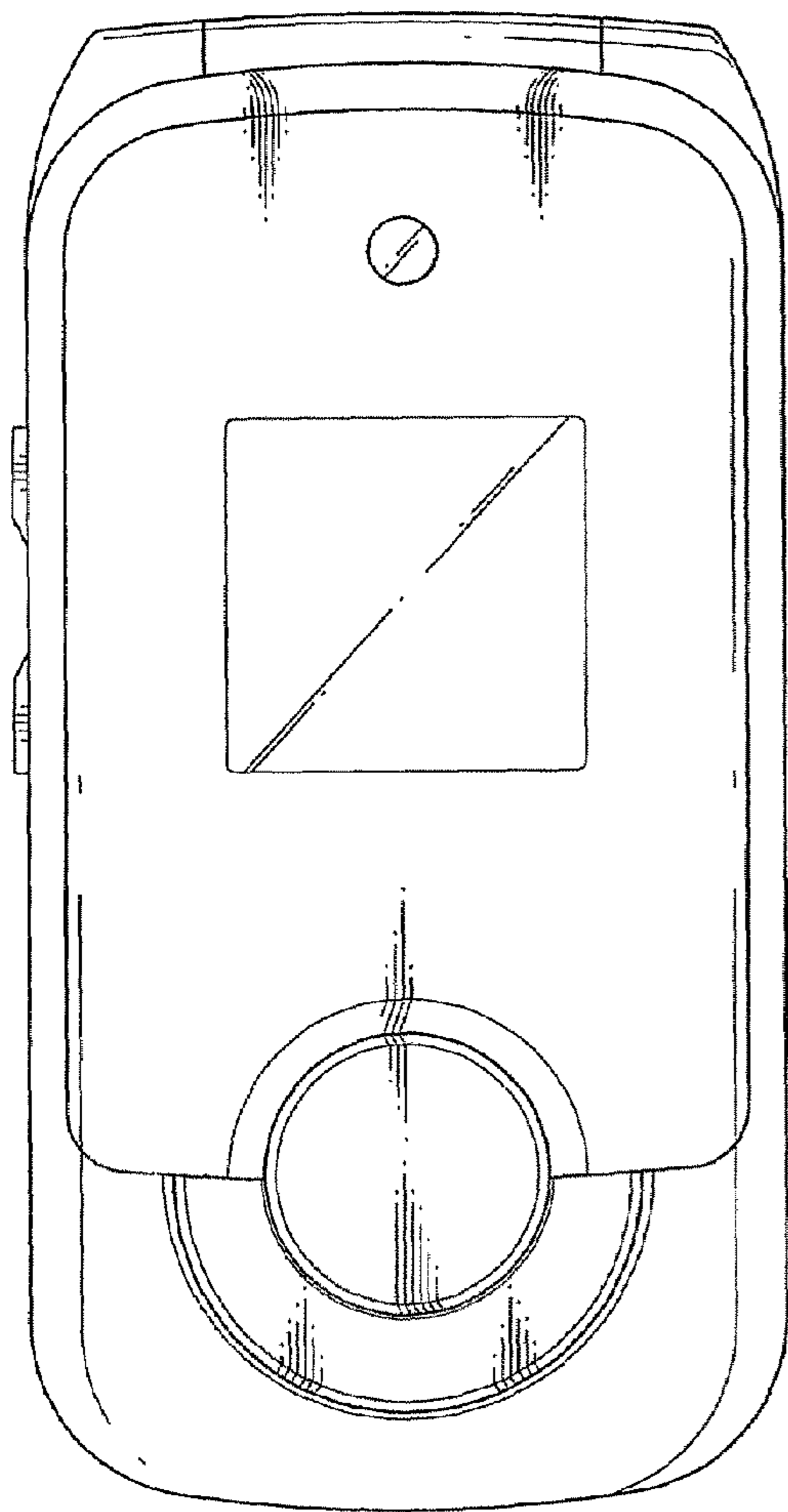


FIG.3

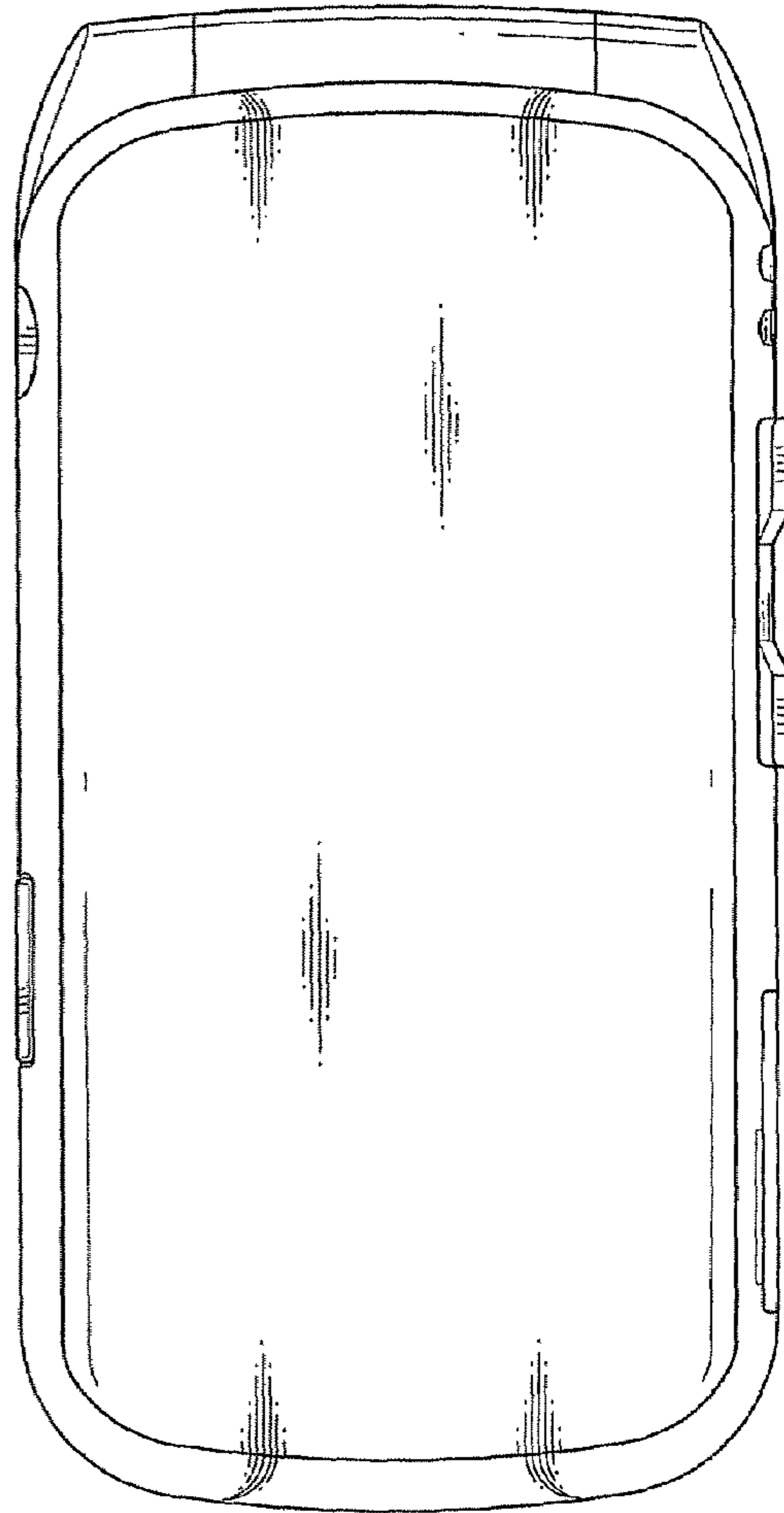


FIG. 4

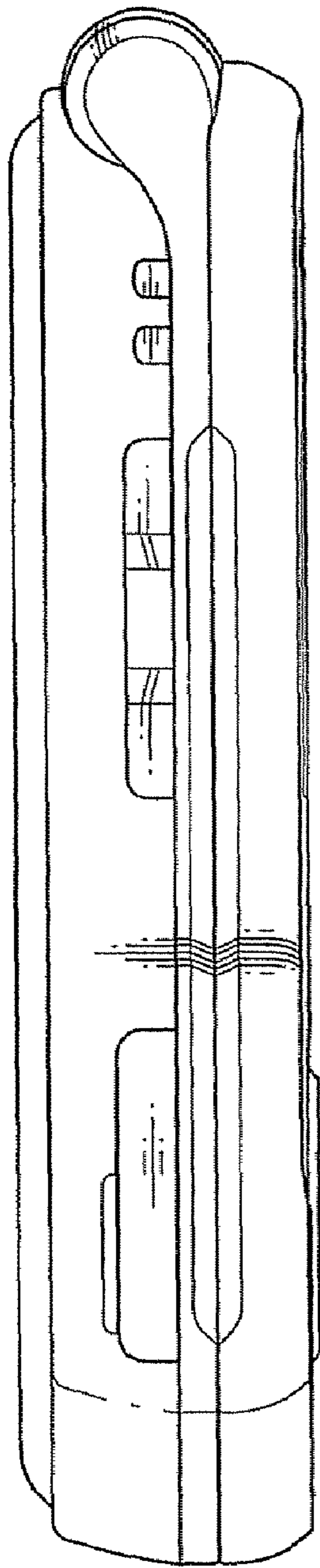


FIG. 5

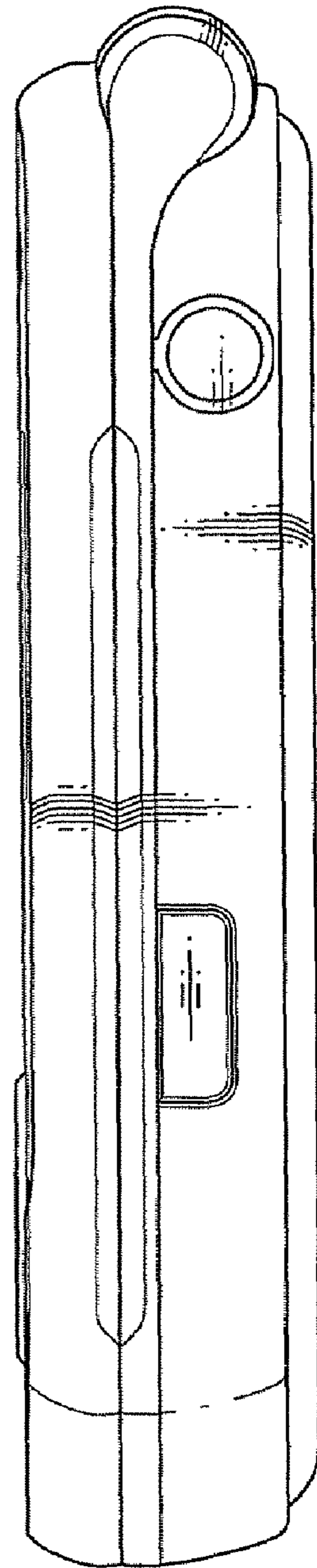


FIG. 6

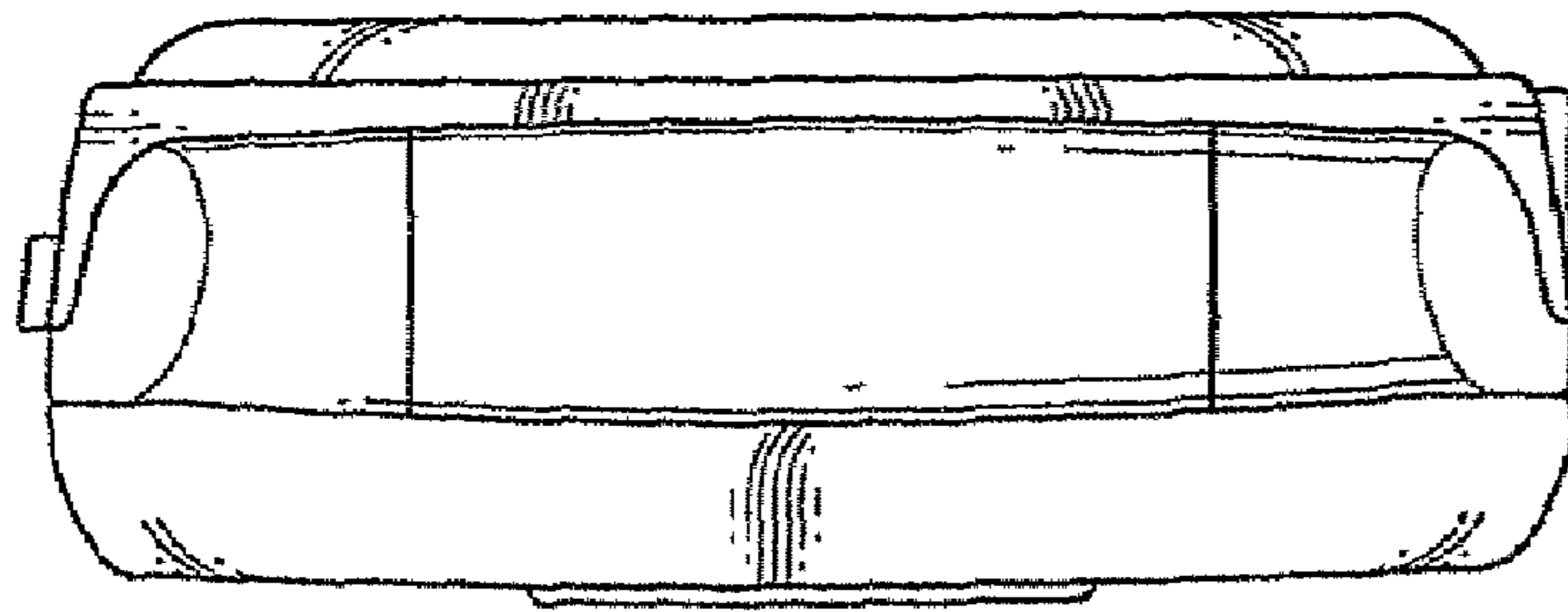


FIG. 7

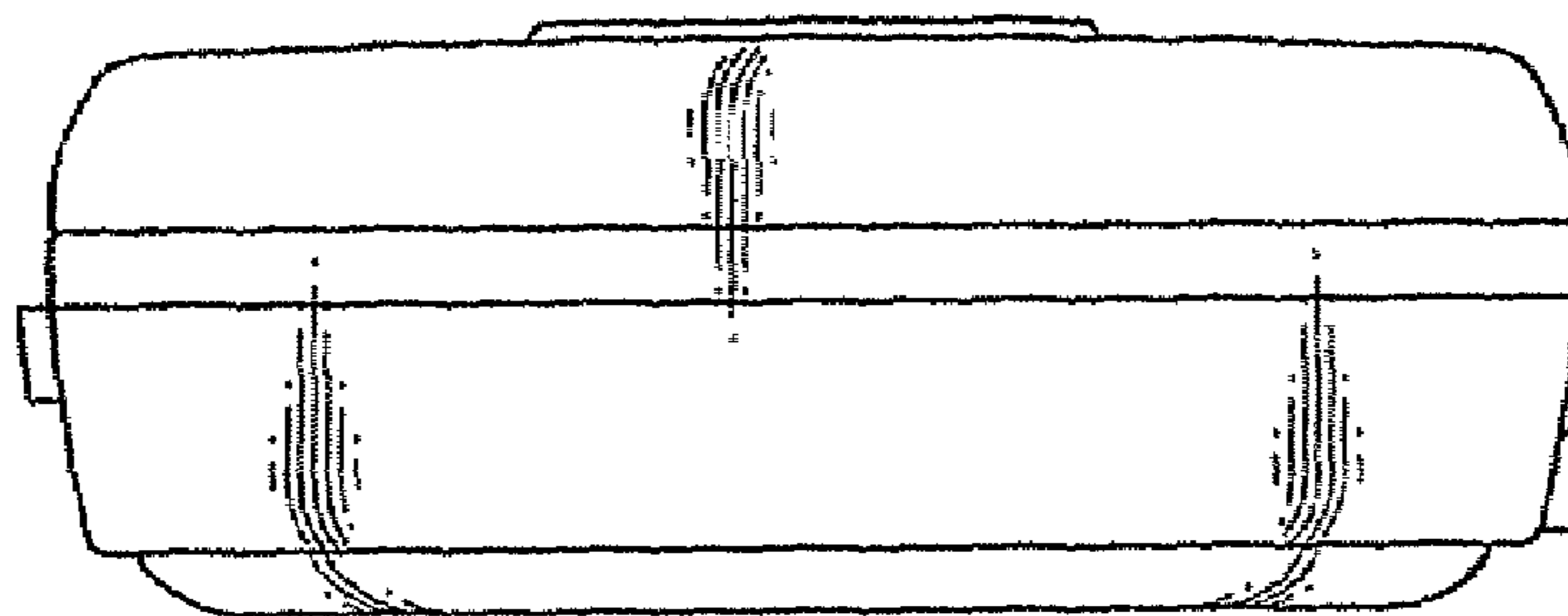


FIG. 8

