



US00D598409S

(12) **United States Design Patent**
Jung et al.

(10) **Patent No.:** **US D598,409 S**

(45) **Date of Patent:** **** Aug. 18, 2009**

(54) **MOBILE PHONE**

(75) Inventors: **Yun-Bin Jung**, Seoul (KR); **Beom-Ku Han**, Seoul (KR); **Chang-Soo Lee**, Incheon (KR)

(73) Assignee: **Samsung Electronics Co., Ltd.**, Suwon-Si (KR)

(**) Term: **14 Years**

(21) Appl. No.: **29/300,455**

(22) Filed: **Mar. 28, 2008**

(30) **Foreign Application Priority Data**

Dec. 13, 2007 (KR) 30-2007-0051613

(51) **LOC (9) Cl.** **14-03**

(52) **U.S. Cl.** **D14/138 G; D14/138 AD**

(58) **Field of Classification Search** D14/138 R, D14/138 AD, 138 C, 138 G, 191, 203.1–203.8, D14/496, 138 AA, 138 AB, 138 AC, 137, D14/147, 218, 341–347, 247–248; D10/65, D10/78, 104; D13/168; D18/7; 455/566, 455/575.1, 575.3

See application file for complete search history.

(56) **References Cited**

U.S. PATENT DOCUMENTS

- D562,285 S * 2/2008 Lim D14/138 G
- D562,292 S * 2/2008 Park D14/138 AD
- D563,806 S * 3/2008 Jeon D10/65
- D569,837 S * 5/2008 Baik et al. D14/138 G
- D572,227 S * 7/2008 Yoon et al. D14/138 G
- D577,353 S * 9/2008 Kim et al. D14/138 AD
- D577,354 S * 9/2008 Kim et al. D14/138 AD
- D577,703 S * 9/2008 Lee et al. D14/138 G
- D577,704 S * 9/2008 Park et al. D14/138 AD
- D578,500 S * 10/2008 Lee et al. D14/138 G
- D579,433 S * 10/2008 Han et al. D14/138 R
- D579,898 S * 11/2008 Lee et al. D14/138 R
- D579,901 S * 11/2008 Kim et al. D14/138 R

- D579,902 S * 11/2008 Kim et al. D14/138 R
- D581,384 S * 11/2008 Kim et al. D14/138 R
- D581,894 S * 12/2008 Kim D14/138 R
- D583,342 S * 12/2008 Kim et al. D14/138 G
- D583,345 S * 12/2008 Kim et al. D14/138 AD
- D583,346 S * 12/2008 Jung et al. D14/138 AD
- D584,272 S * 1/2009 Chung et al. D14/138 R
- D584,711 S * 1/2009 Kim et al. D14/138 G

(Continued)

OTHER PUBLICATIONS

LG KE850 Prada, announced Jan. 2007, [online], [retrieved on Feb. 20, 2007 and May 18, 2007]. Retrieved from Internet ,<URL: http://www.gsmarena.com>.*

LG CU915 Vu, announced Mar. 2008, [online], [retrieved on May 14, 2008]. Retrieved from Internet ,<URL: http://www.gsmarena.com>.*

(Continued)

Primary Examiner—Jeffrey D Asch

Assistant Examiner—Bridget L Eland

(74) *Attorney, Agent, or Firm*—Staas & Halsey LLP

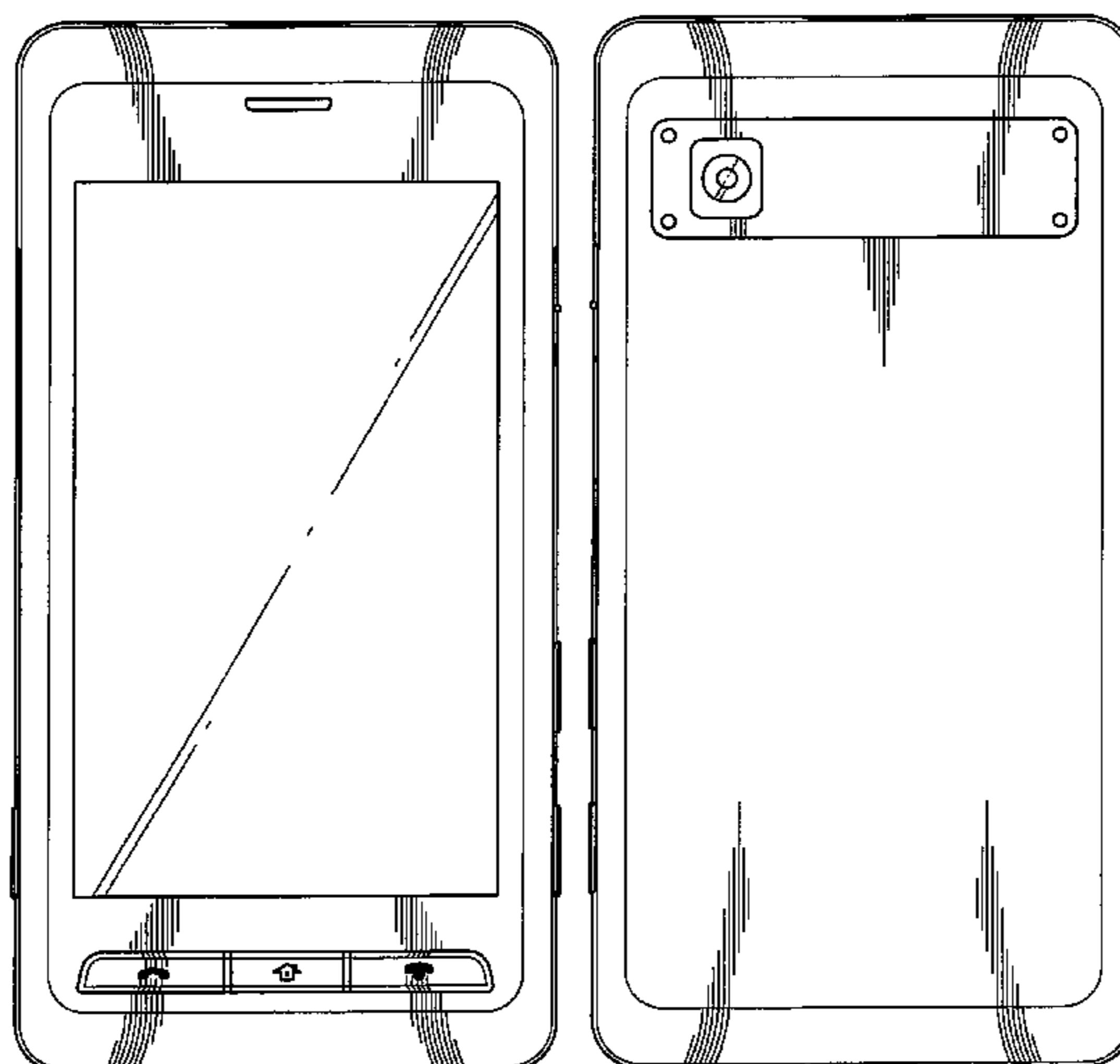
(57) **CLAIM**

The ornamental design for a mobile phone, as shown and described.

DESCRIPTION

FIG. 1 is a perspective view of a mobile phone;
 FIG. 2 is a front view of the mobile phone of FIG. 1;
 FIG. 3 is a rear view of the mobile phone of FIG. 1;
 FIG. 4 is a left-side view of the mobile phone of FIG. 1;
 FIG. 5 is a right-side view of the mobile phone of FIG. 1;
 FIG. 6 is a top plan view of the mobile phone of FIG. 1;
 FIG. 7 is a bottom plan view of the mobile phone of FIG. 1;
 and,
 FIG. 8 is an open perspective view of the mobile phone of FIG. 1.

1 Claim, 6 Drawing Sheets



US D598,409 S

Page 2

U.S. PATENT DOCUMENTS

D585,040 S * 1/2009 Kim et al. D14/138 R
D585,411 S * 1/2009 Eaton D14/138 G
2008/0176604 A1* 7/2008 Kim 455/566
2008/0176609 A1* 7/2008 Kim et al. 455/575.1
2008/0227501 A1* 9/2008 Joo et al. 455/566

OTHER PUBLICATIONS

LG KF900 Prada, announced Oct. 2008, [online], [retrieved on Nov. 8, 2008]. Retrieved from Internet ,<URL: <http://www.gsmarena.com>>.*

Philips S900, announced Jun. 2006, [online], [retrieved on Feb. 20, 2007]. Retrieved from Internet ,<URL: <http://www.gsmarena.com>>.*

Samsung F480, announced Feb. 2008, [online], [retrieved on Mar. 21, 2008]. Retrieved from Internet ,<URL: <http://www.gsmarena.com>>.*

Samsung D980, announced Aug. 2008, [online], [retrieved on Sep. 5, 2008]. Retrieved from Internet ,<URL: <http://www.gsmarena.com>>.*

Samsung T919 Behold, announced Nov. 2008, [online], [retrieved on Nov. 8, 2008]. Retrieved from Internet ,<URL: <http://www.gsmarena.com>>.*

Toshiba TG01, announced Jan. 2009, [online], [retrieved on Feb. 6, 2009]. Retrieved from Internet ,<URL: <http://www.gsmarena.com>>.*

* cited by examiner

FIG.1

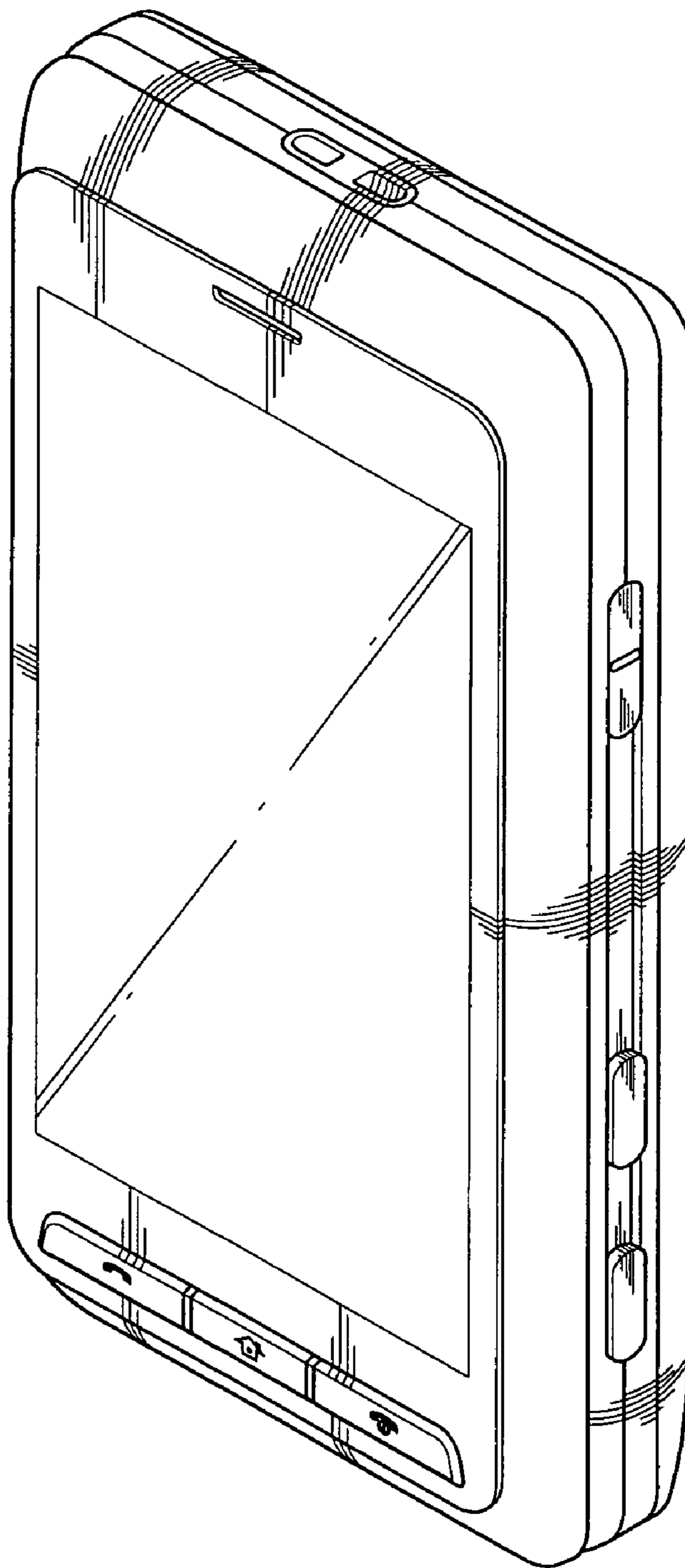


FIG.2

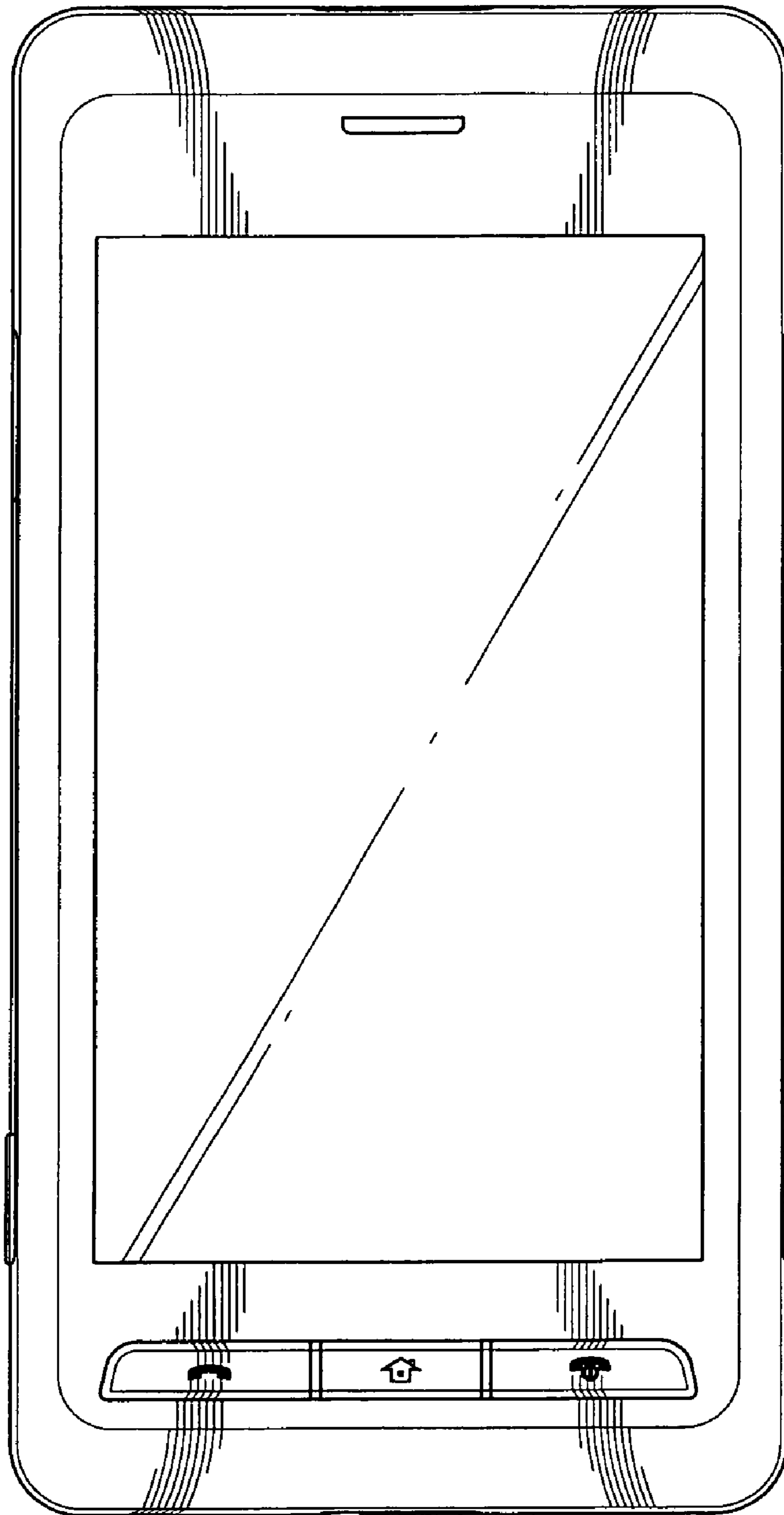


FIG.3

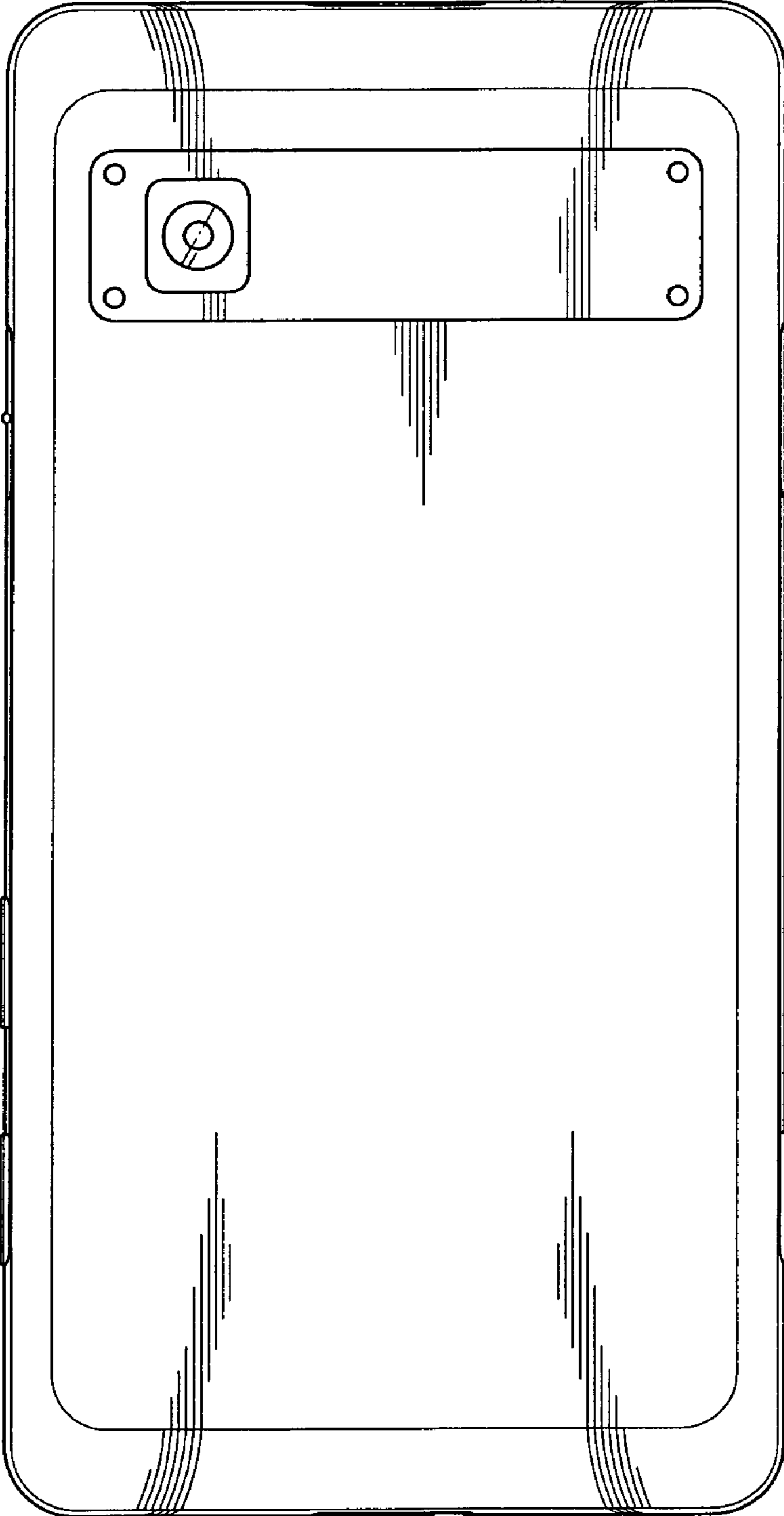


FIG.4

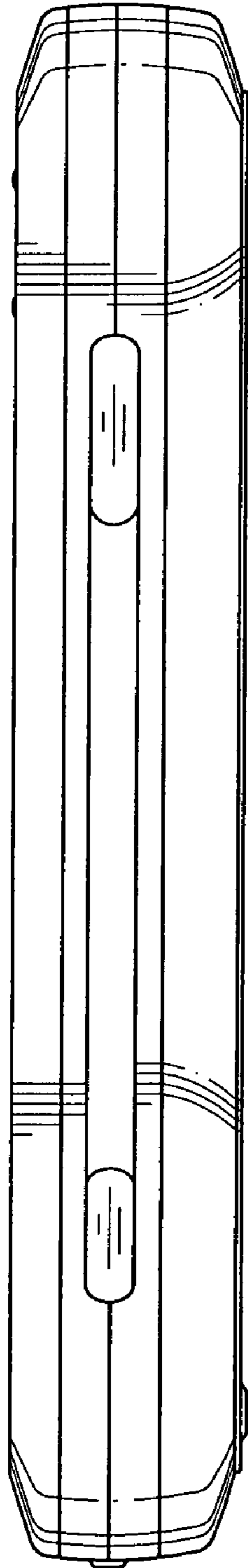


FIG.5

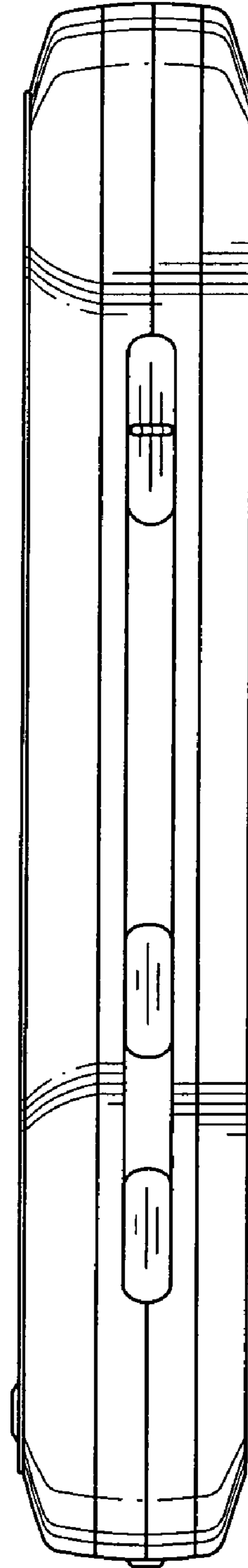


FIG.6

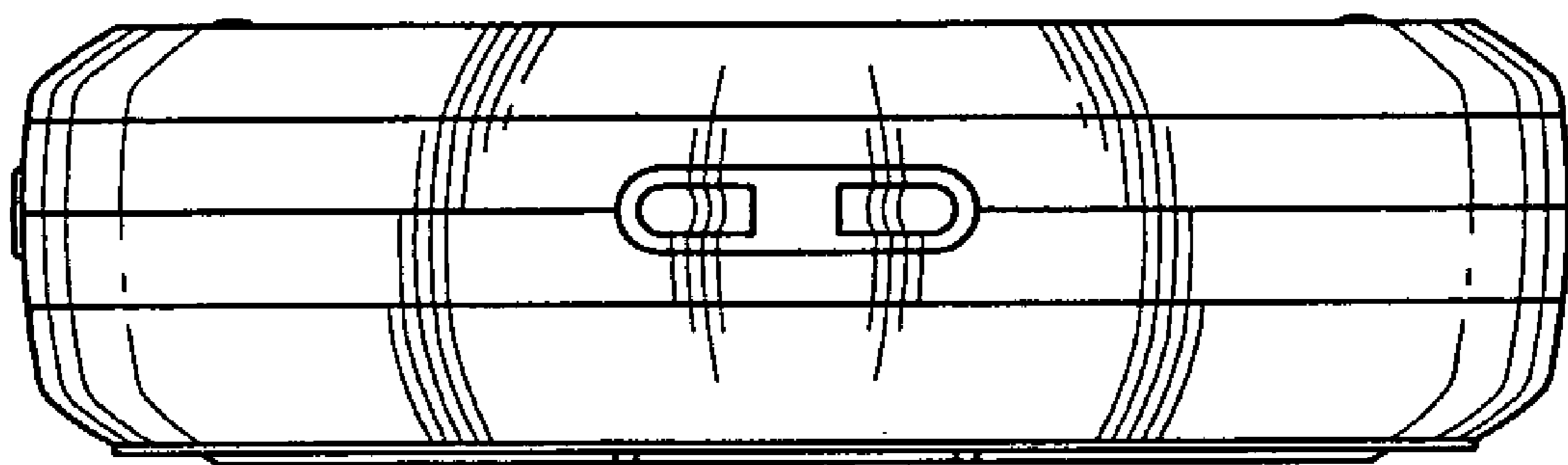


FIG.7

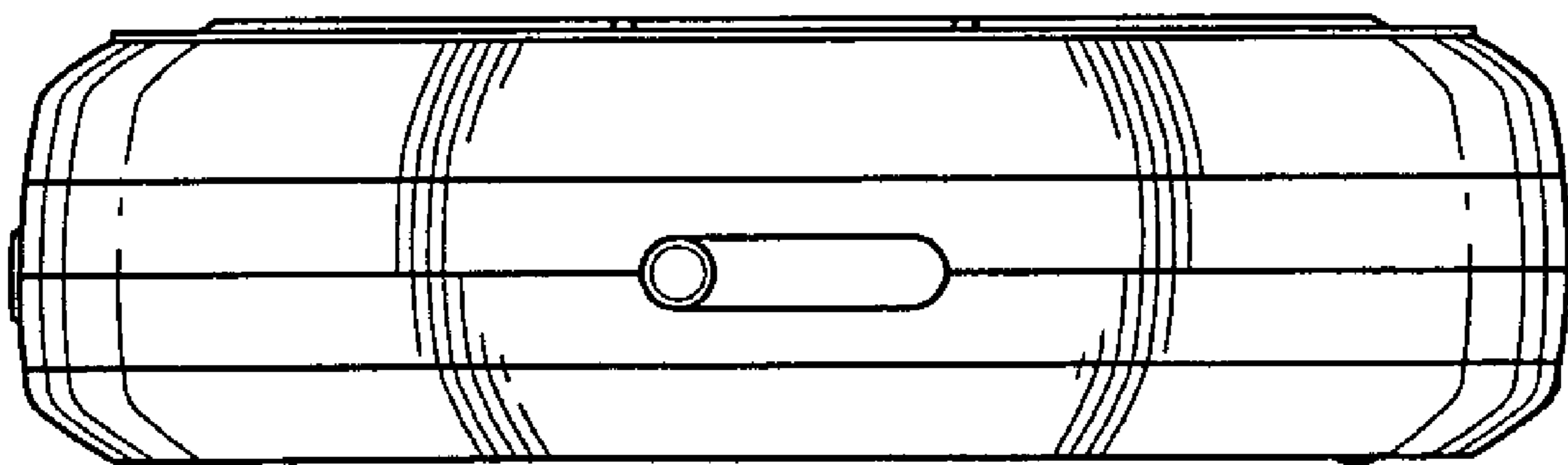


FIG.8

