

US00D598404S

(12) **United States Design Patent**
Arie et al.

(10) **Patent No.:** **US D598,404 S**

(45) **Date of Patent:** **** *Aug. 18, 2009**

(54) **FLAT PANEL TV**

(75) Inventors: **Isamu Arie**, Santa Monica, CA (US);
Justin Jakobson, Santa Monica, CA
(US); **Yuki Kubota**, Santa Monica, CA
(US); **Fumiya Matsuoka**, Rancho Palos
Verdes, CA (US)

(73) Assignees: **Sony Corporation**, Tokyo (JP); **Sony
Electronics Inc.**, Park Ridge, NJ (US)

(**) Term: **14 Years**

(21) Appl. No.: **29/297,182**

(22) Filed: **Nov. 6, 2007**

(51) **LOC (9) Cl.** **14-03**

(52) **U.S. Cl.** **D14/126**

(58) **Field of Classification Search** D14/125-134,
D14/239, 371, 136, 374-377, 440, 450, 448,
D14/336, 342; 312/7.2; 348/836, 838, 180,
348/184, 325, 739; 341/12; 248/917-924,
248/465; 345/104, 133, 156, 168, 87, 173;
720/605, 669, 600, 655; 369/99, 197; D21/329,
D21/515, 577, 622, 333, 433, 448, 452, 450,
D21/331; D6/477, 479; 273/148 B; 446/484,
446/175, 356; D10/15, 26

See application file for complete search history.

(56) **References Cited**

U.S. PATENT DOCUMENTS

D389,462 S * 1/1998 Johns et al. D14/375

D416,006 S * 11/1999 Park D14/374

D424,033 S * 5/2000 Hsu D14/374

D475,687 S * 6/2003 Goto D14/126

D496,341 S * 9/2004 Nakata et al. D14/126

D541,773 S * 5/2007 Chong et al. D14/126

D542,748 S * 5/2007 Kim et al. D14/126

* cited by examiner

Primary Examiner—Raphael Barkai

(74) *Attorney, Agent, or Firm*—John L. Rogitz

(57) **CLAIM**

The ornamental design for the flat panel TV, as shown and described.

DESCRIPTION

FIG. 1 is a top view of the flat panel TV;

FIG. 2 is a front view of the flat panel TV;

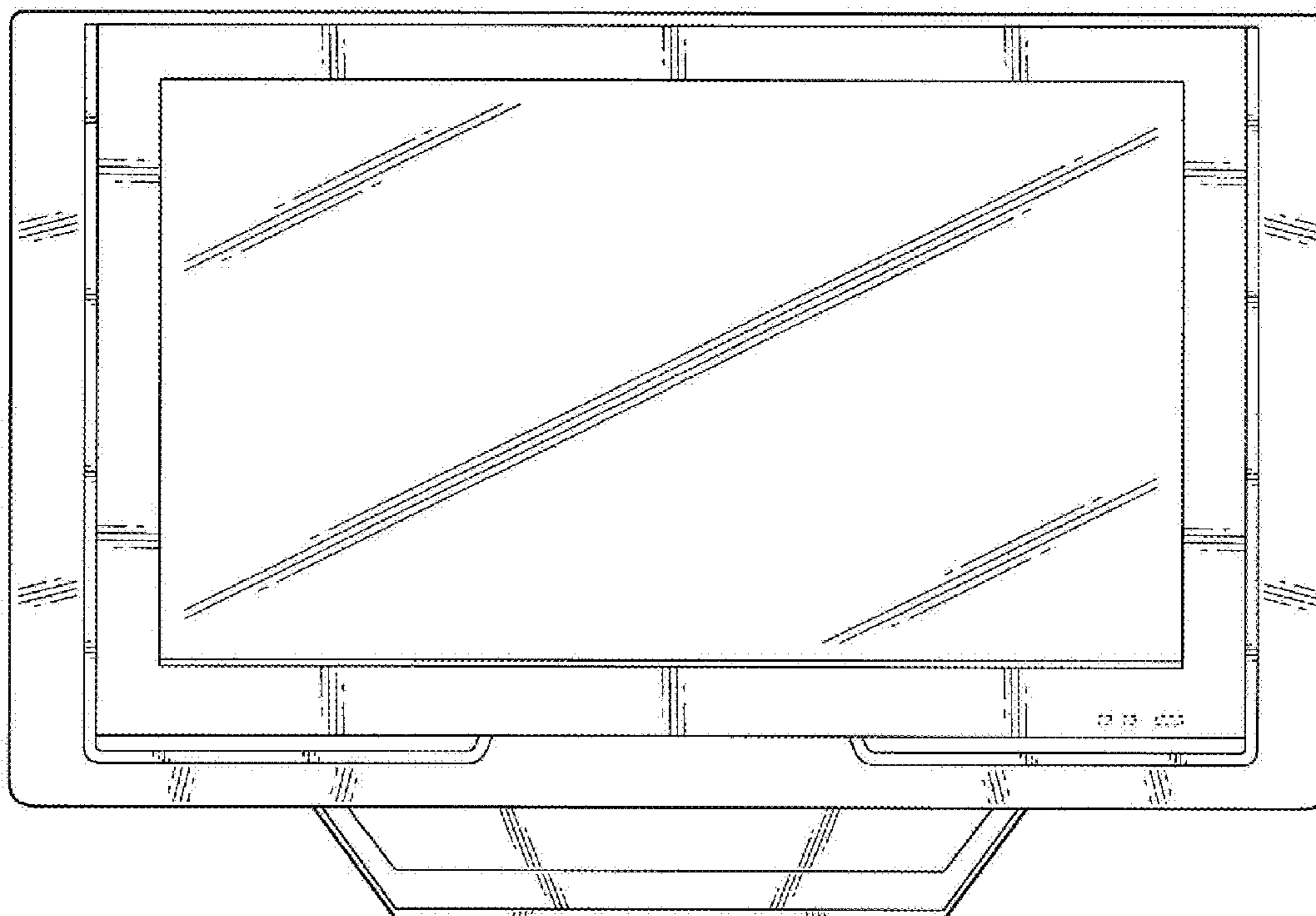
FIG. 3 is a side view of the flat panel TV;

FIG. 4 is a bottom view of the flat panel TV; and,

FIG. 5 is a rear plan view of the flat panel TV.

The broken lines shown in FIGS. 1, 2 and 5 are for illustrative purposes only and form no part of the claimed design

1 Claim, 5 Drawing Sheets



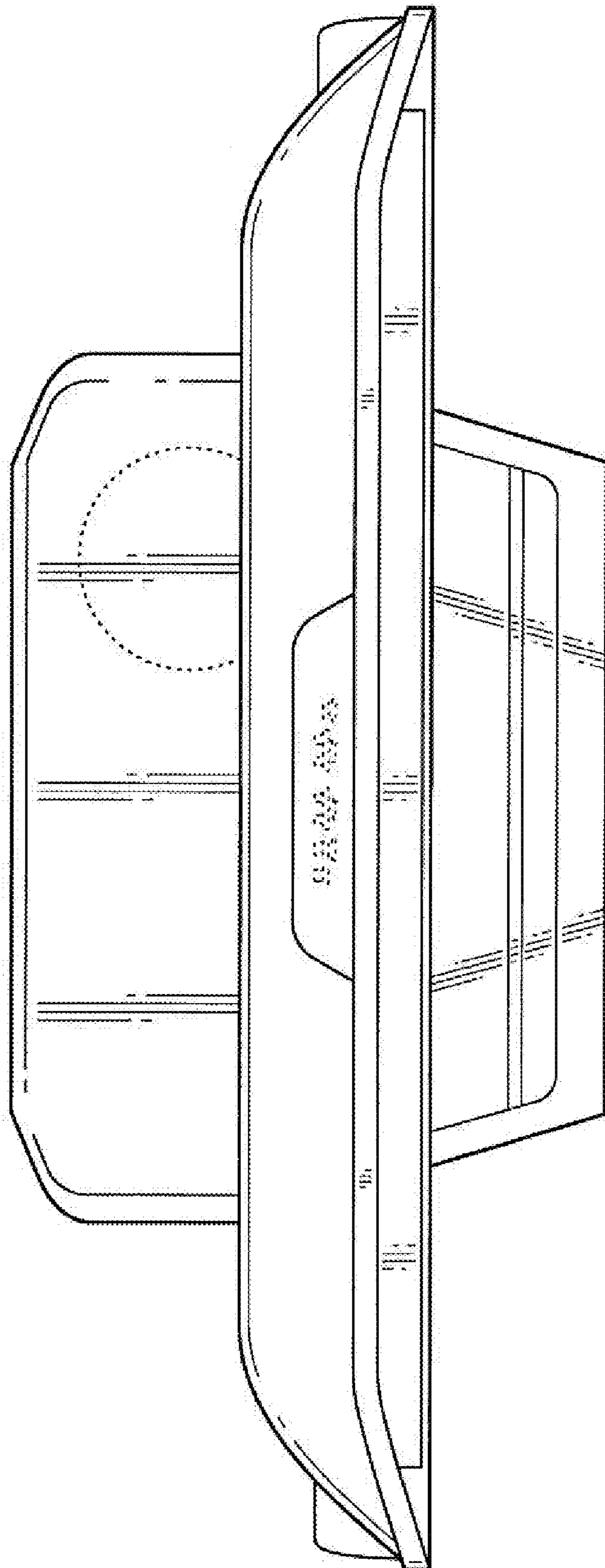


FIG. 1

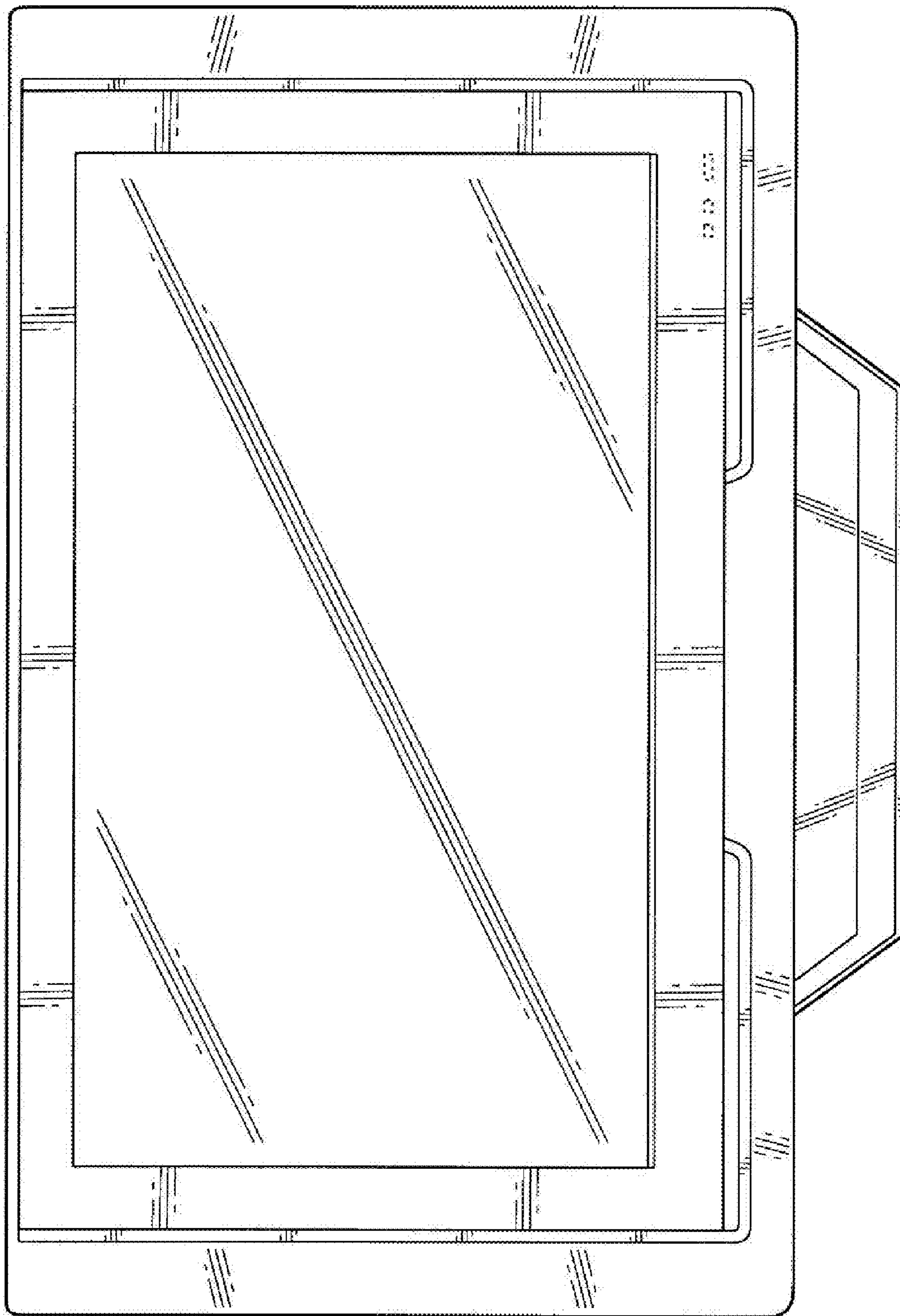


FIG. 2

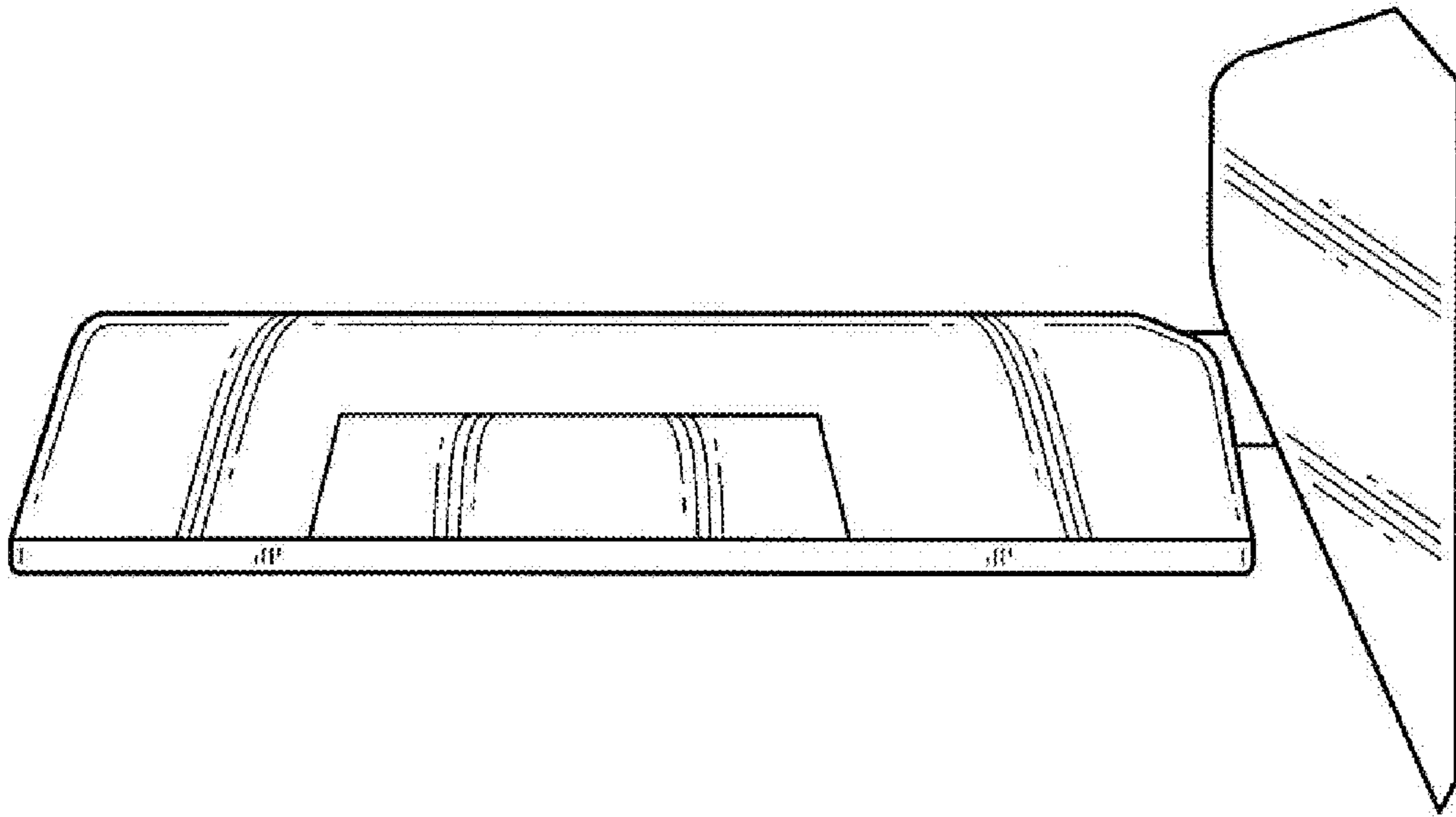


FIG. 3

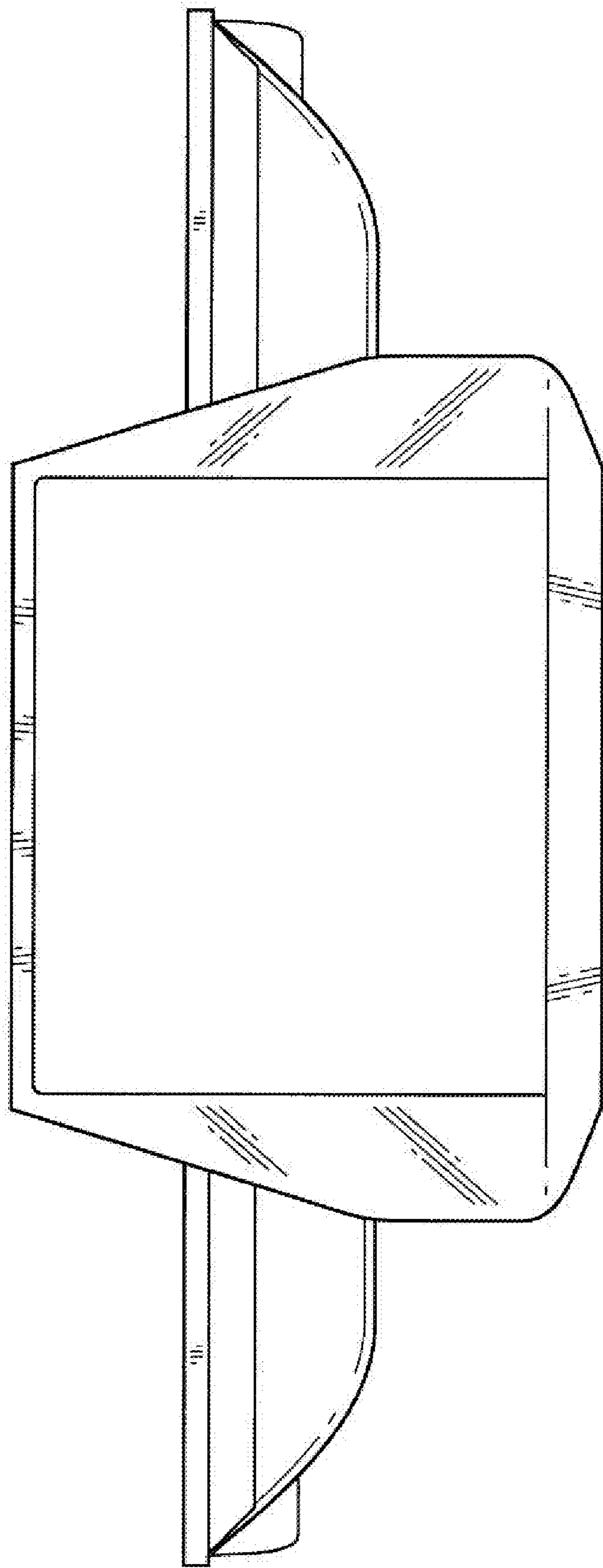


FIG. 4

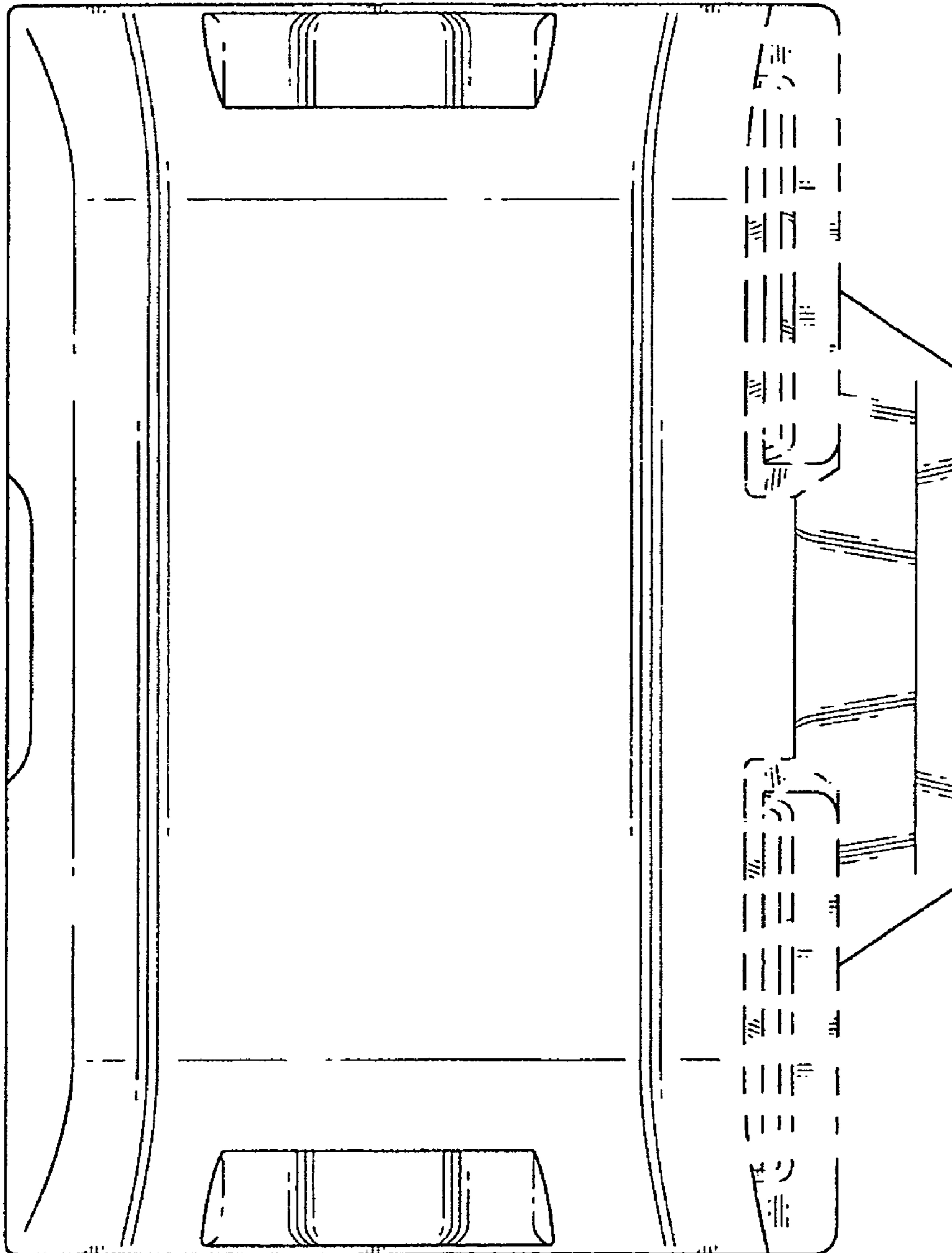


FIG. 5