

US00D598403S

(12) **United States Design Patent**
Huang et al.

(10) **Patent No.:** **US D598,403 S**

(45) **Date of Patent:** **** Aug. 18, 2009**

(54) **DIGITAL MEDIA ADAPTER**

(75) Inventors: **Jian Huang**, Shenzhen (CN); **Hong-Jin Wu**, Shenzhen (CN); **Chun-Wen Wang**, Taipei Hsien (TW)

(73) Assignee: **Hon Hai Precision Industry Co., Ltd.**, Tu-Cheng, Taipei Hsien (TW)

(**) Term: **14 Years**

(21) Appl. No.: **29/320,877**

(22) Filed: **Jul. 7, 2008**

(51) **LOC (9) Cl.** **14-03**

(52) **U.S. Cl.** **D14/125**

(58) **Field of Classification Search** D14/125-134, D14/239, 371, 136, 374-377, 188, 193-194, D14/197-198; 312/7.2, 7.1; 348/836, 838, 348/180, 184, 325, 739; 341/12; 248/917-924, 248/465, 123.11; 345/104, 133, 156, 168, 345/87, 173, 169; 349/1, 2, 11, 62; 720/605, 720/669, 600, 655, 99, 197; 455/344-347
See application file for complete search history.

(56) **References Cited**

U.S. PATENT DOCUMENTS

D166,787 S *	5/1952	Adler	D14/239
D202,829 S *	11/1965	Paull	D14/168
D249,063 S *	8/1978	James	D24/186
D309,728 S *	8/1990	Nuttall et al.	D14/356
D311,740 S *	10/1990	Wagner	D14/358
D334,930 S *	4/1993	Collins	D14/168
D363,064 S *	10/1995	Rogov	D14/433
D448,353 S *	9/2001	Chang	D14/125
D462,066 S *	8/2002	Mayette et al.	D14/214
D479,832 S *	9/2003	Homewood et al.	D14/168
D480,063 S *	9/2003	Homewood et al.	D14/168
D480,379 S *	10/2003	Homewood et al.	D14/168

D502,947 S *	3/2005	Zhang et al.	D14/385
D511,151 S *	11/2005	Wells	D14/125
D528,080 S *	9/2006	Wells	D14/125
D532,817 S *	11/2006	Ishii	D14/356
D535,981 S *	1/2007	Park	D14/230
D542,242 S *	5/2007	Mathews Reynolds et al.	..	D14/125
D542,784 S *	5/2007	Franck et al.	D14/240
D549,193 S *	8/2007	Gomes et al.	D14/126
D556,705 S *	12/2007	Reynolds et al.	D14/125
D558,787 S *	1/2008	Yu et al.	D14/496
D558,788 S *	1/2008	Yu et al.	D14/496
D568,310 S *	5/2008	Franck et al.	D14/356
D577,693 S *	9/2008	King et al.	D14/125

* cited by examiner

Primary Examiner—Cathron C Brooks

Assistant Examiner—Karen E Kearney

(74) *Attorney, Agent, or Firm*—D. Austin Bonderer

(57) **CLAIM**

The ornamental design for “digital media adapter,” as shown and described.

DESCRIPTION

FIG. 1 is a perspective view of the design for the “digital media adapter” front bezel;

FIG. 2 is a front elevational view thereof;

FIG. 3 is a left side elevational view thereof;

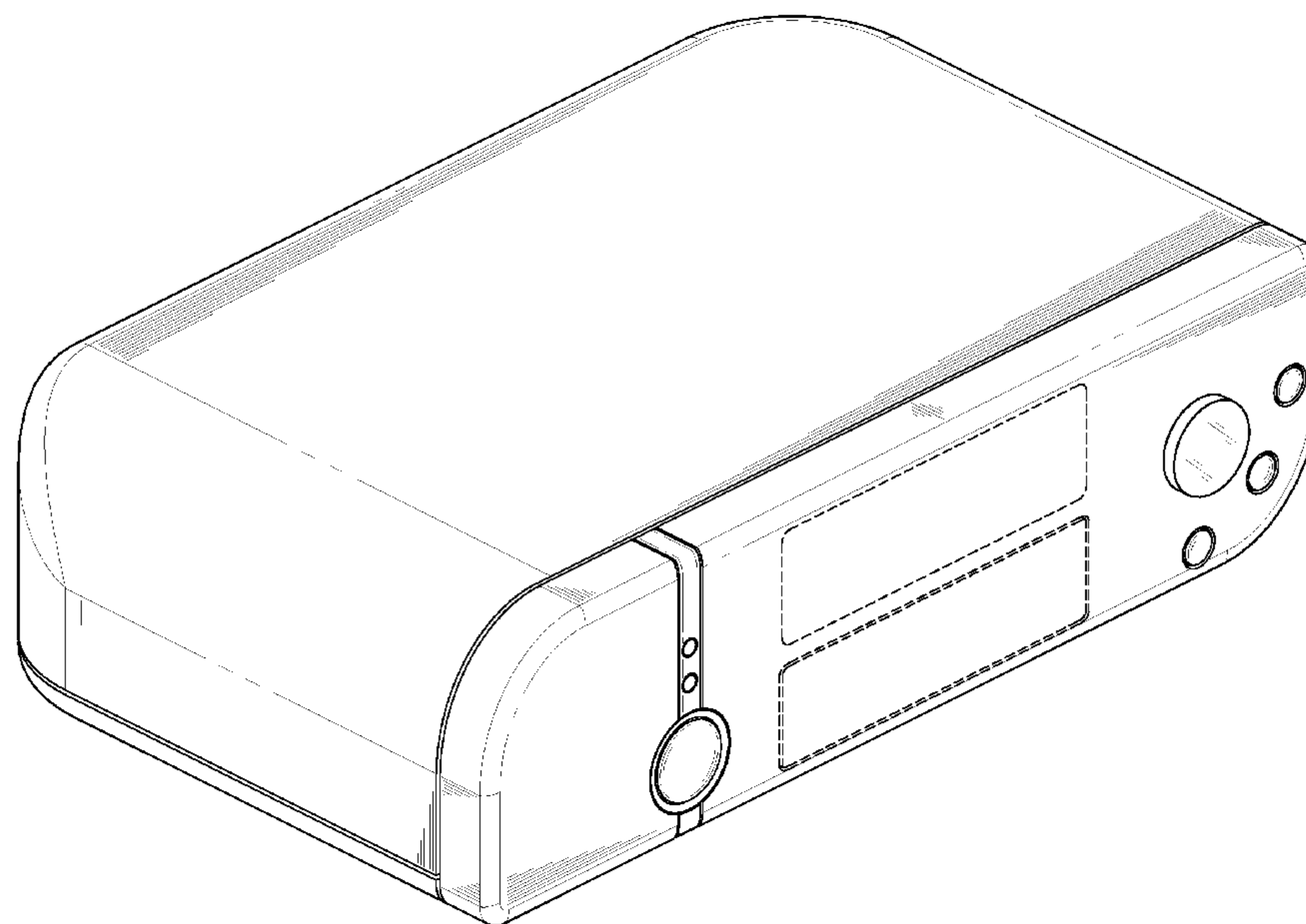
FIG. 4 is a right side elevational view thereof;

FIG. 5 is a top plan view thereof; and,

FIG. 6 is a bottom plan view thereof.

The broken lines on the front of the digital media adapter are for the purpose of illustrating unclaimed portions and form no part of the claimed design.

1 Claim, 6 Drawing Sheets



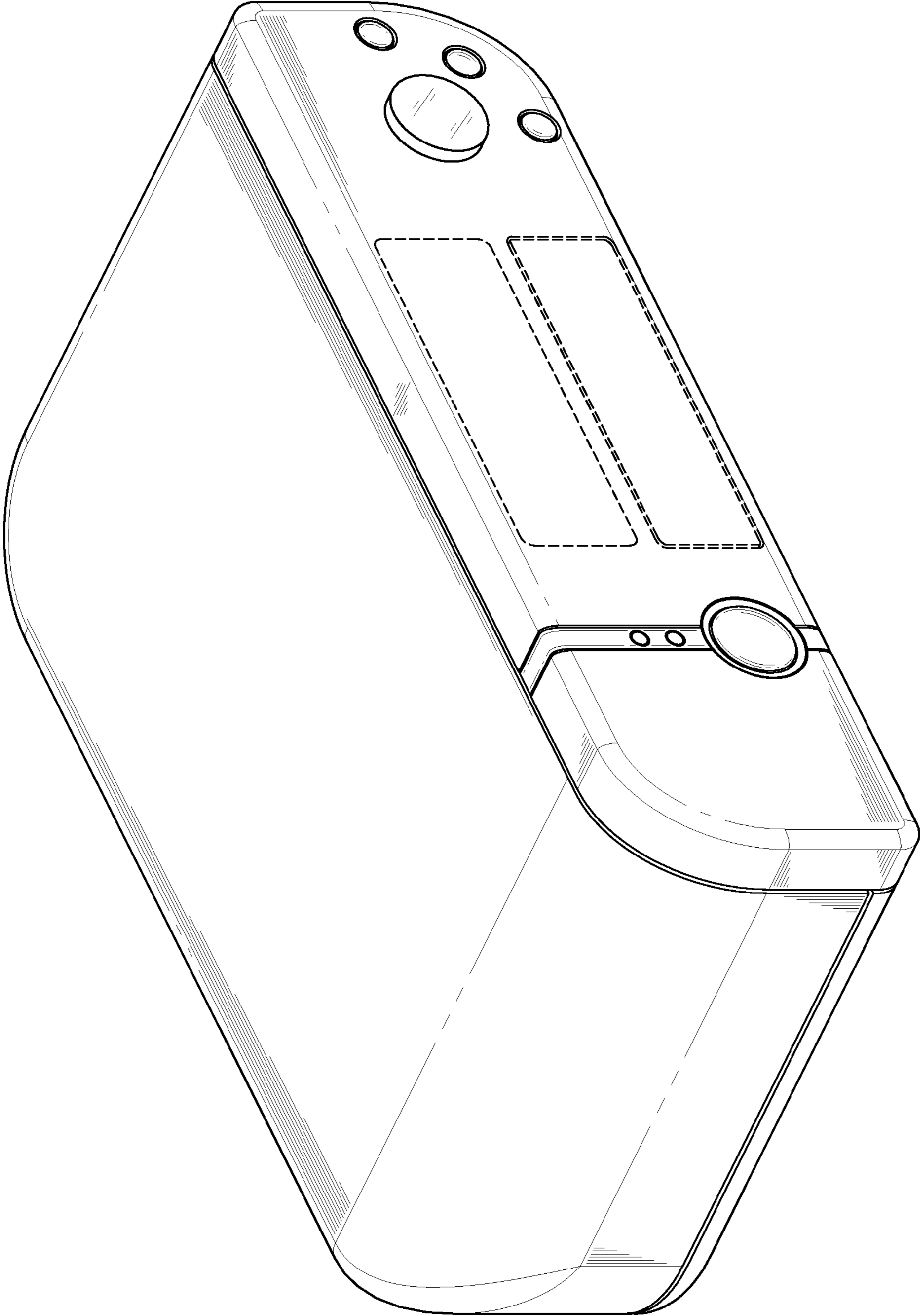


FIG. 1

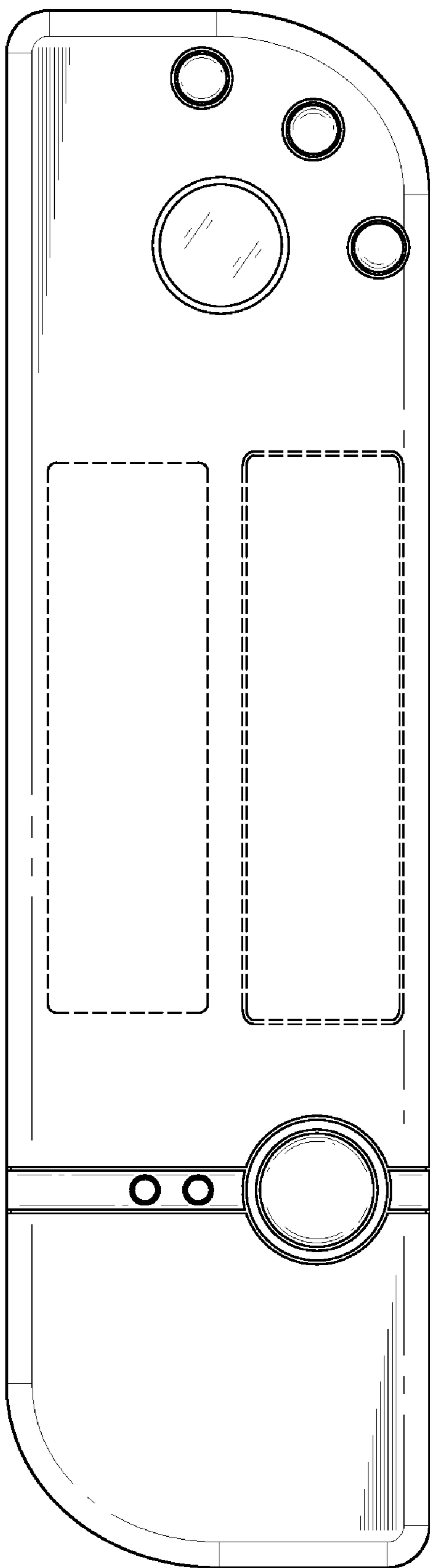


FIG. 2

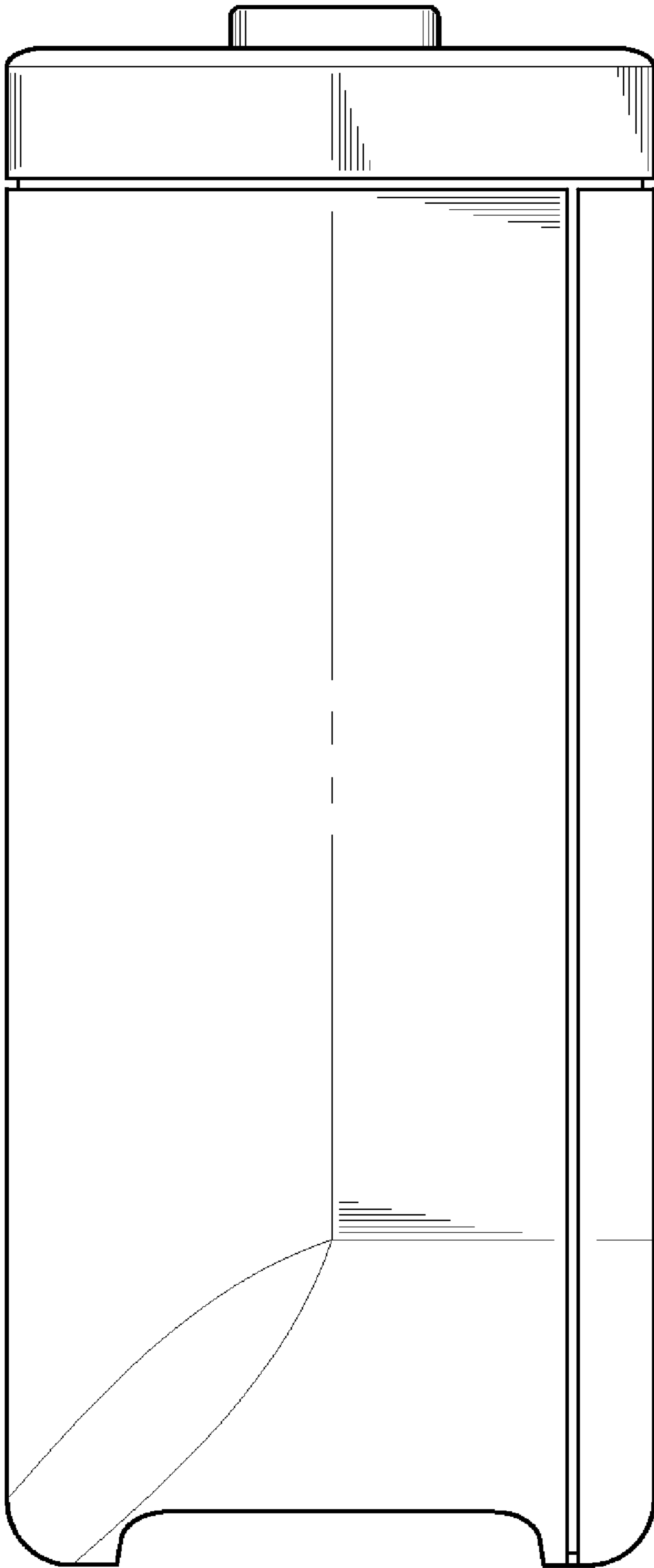


FIG. 3

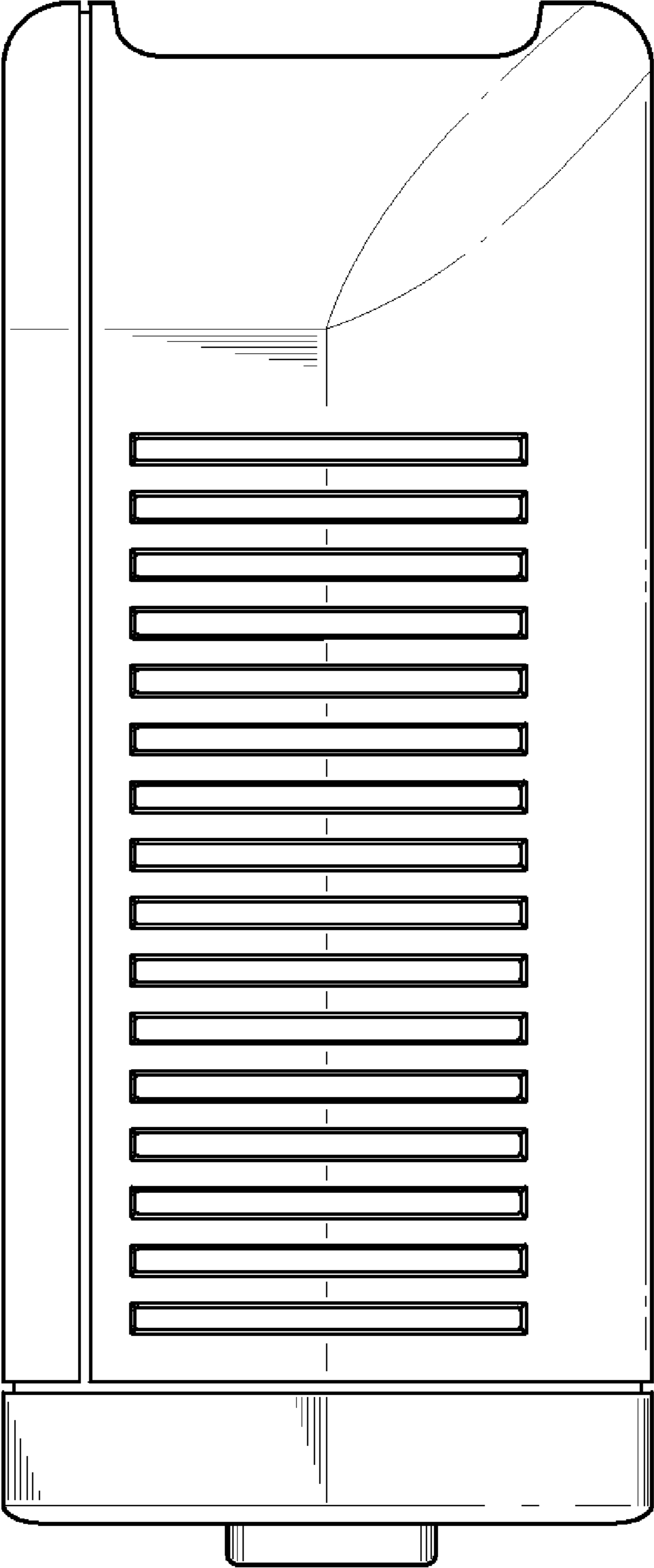


FIG. 4

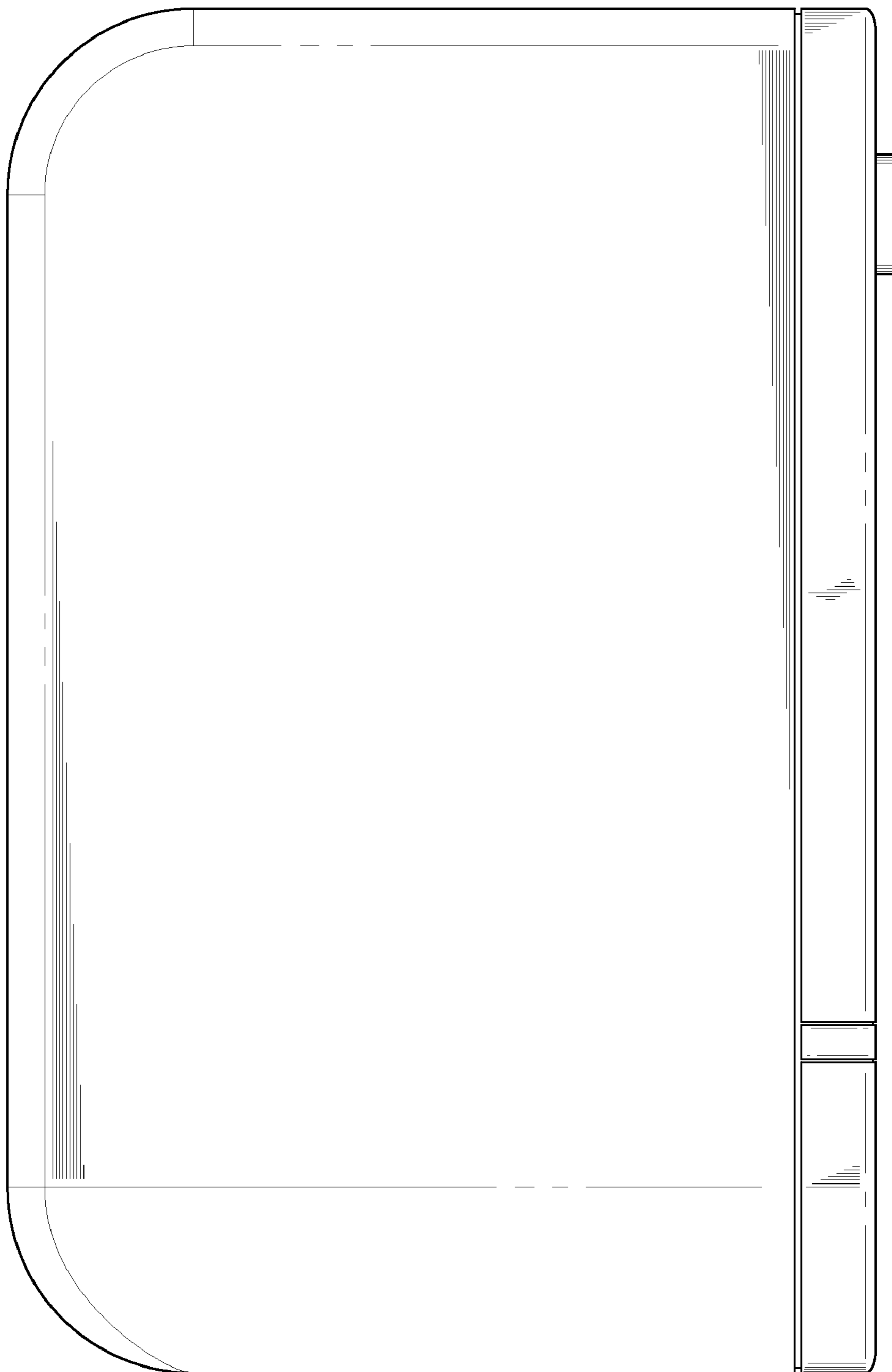


FIG. 5

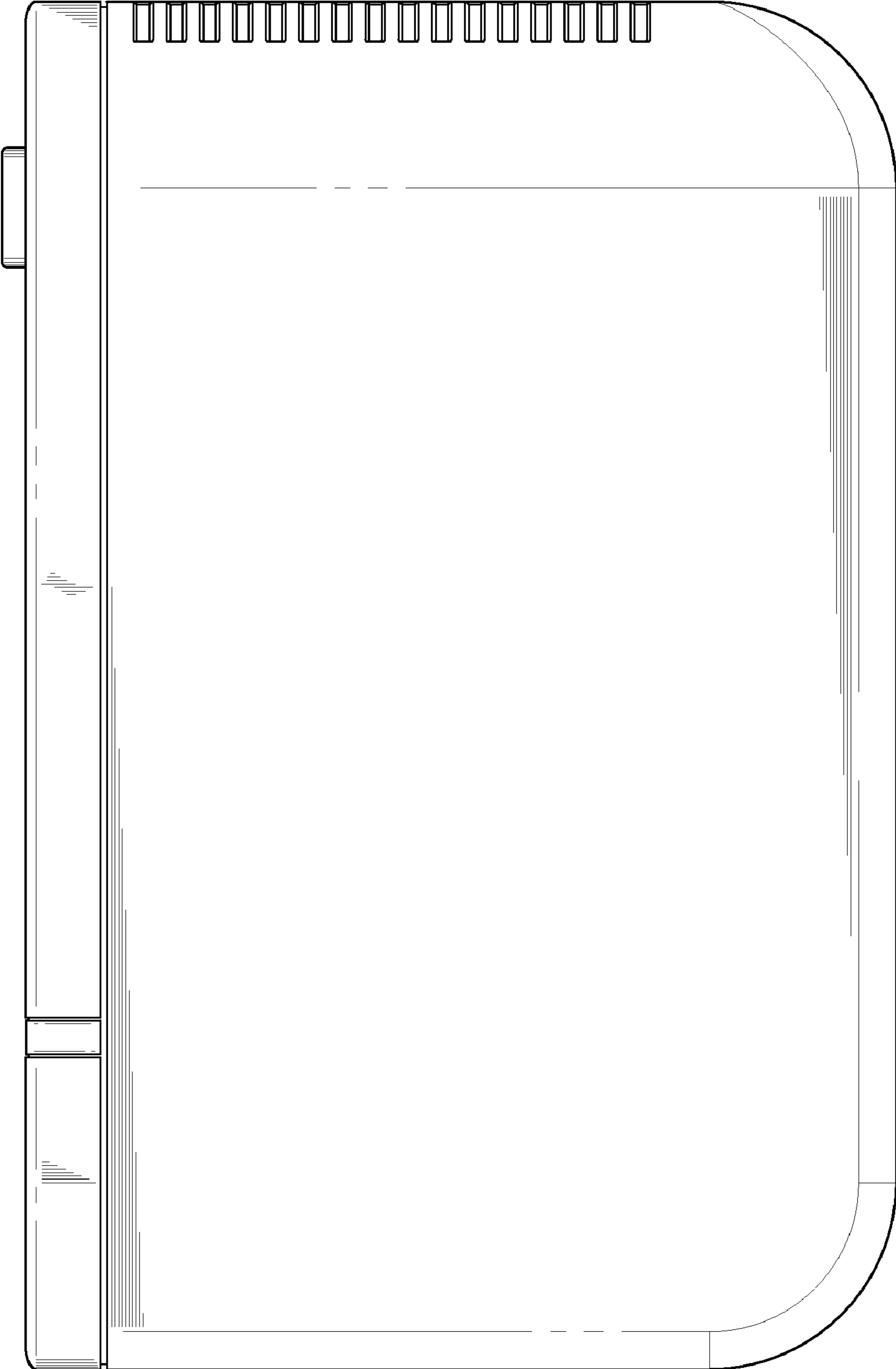


FIG. 6