

US00D598401S

(12) **United States Design Patent**
Takada et al.

(10) **Patent No.:** **US D598,401 S**

(45) **Date of Patent:** **** Aug. 18, 2009**

(54) **LIGHT EMITTING DIODE MODULE**

D528,996 S * 9/2006 Egawa D13/180

D573,553 S * 7/2008 Uemoto et al. D13/180

D577,690 S * 9/2008 Shida et al. D13/180

(75) Inventors: **Tadashi Takada**, Tokyo (JP); **Hajime Ohno**, Tokyo (JP); **Kiyoshi Nishimura**, Tokyo (JP); **Hirokazu Otake**, Tokyo (JP)

(73) Assignee: **Toshiba Lighting & Technology Corporation**, Tokyo (JP)

* cited by examiner

Primary Examiner—Selina Sikder

(74) *Attorney, Agent, or Firm*—J.C. Patents

(**) Term: **14 Years**

(21) Appl. No.: **29/323,550**

(57) **CLAIM**

(22) Filed: **Aug. 27, 2008**

The ornamental design for a light emitting diode module, as shown and described.

(30) **Foreign Application Priority Data**

Mar. 7, 2008 (JP) 2008-005630

DESCRIPTION

(51) **LOC (9) Cl.** **13-03**

(52) **U.S. Cl.** **D13/182**

(58) **Field of Classification Search** D13/180;
D26/1, 2; 257/79, 80, 81, 88, 89, 95, 98,
257/99, 100; 313/483, 498, 500; 362/555,
362/800

See application file for complete search history.

FIG. 1 is a perspective view of a light emitting diode module showing our new design;

FIG. 2 is a front view thereof, the rear view being a mirror image of the front view;

FIG. 3 is a right side view thereof, the left side view being a mirror image of the right side view;

FIG. 4 is a top view thereof; and,

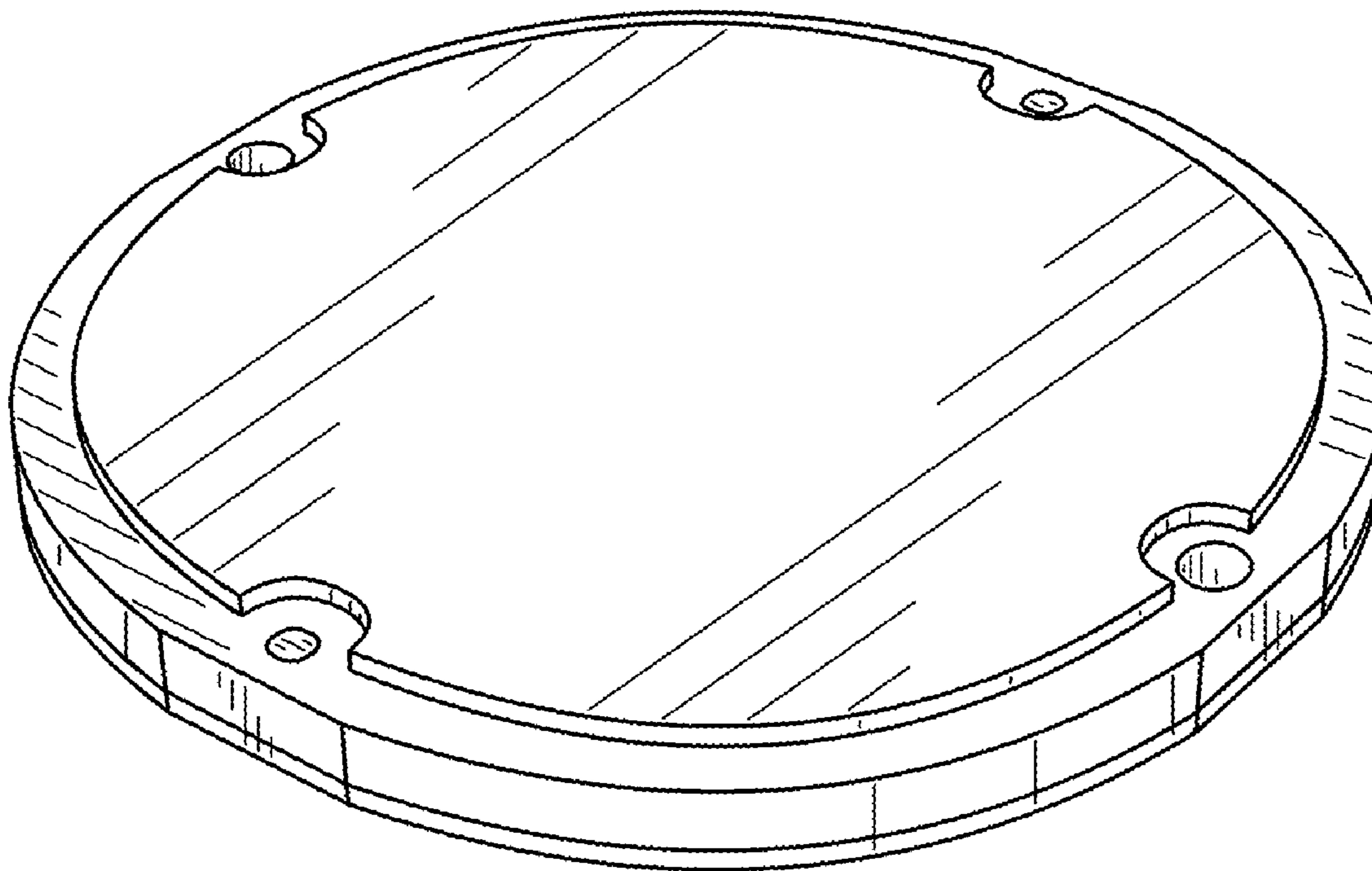
FIG. 5 is a bottom view thereof.

(56) **References Cited**

U.S. PATENT DOCUMENTS

D363,464 S * 10/1995 Fukasawa D13/182

1 Claim, 4 Drawing Sheets



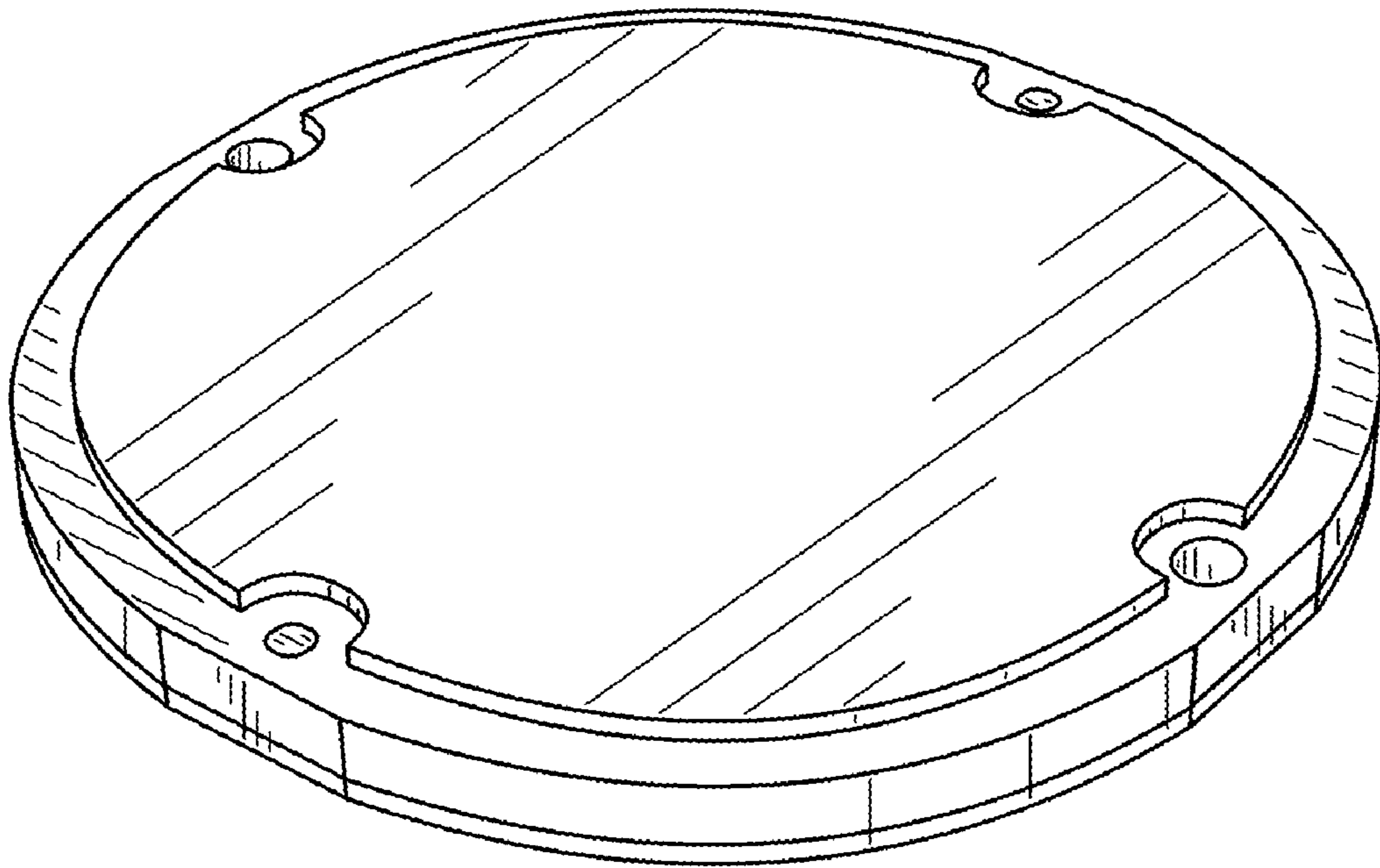


FIG. 1

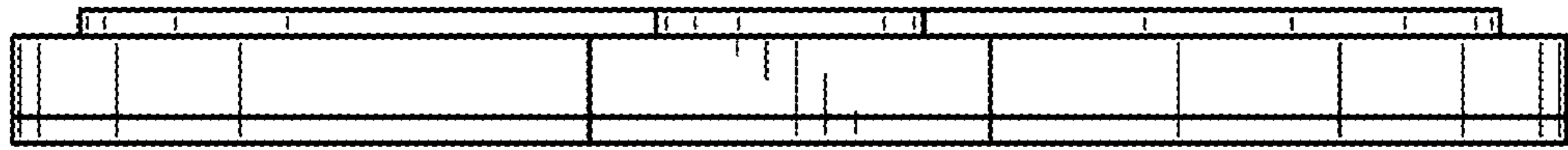


FIG. 2

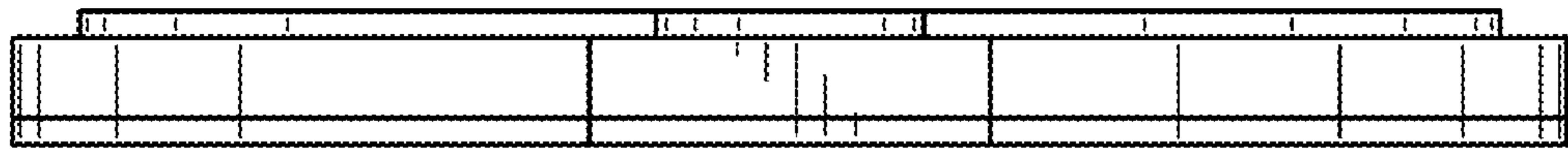


FIG. 3

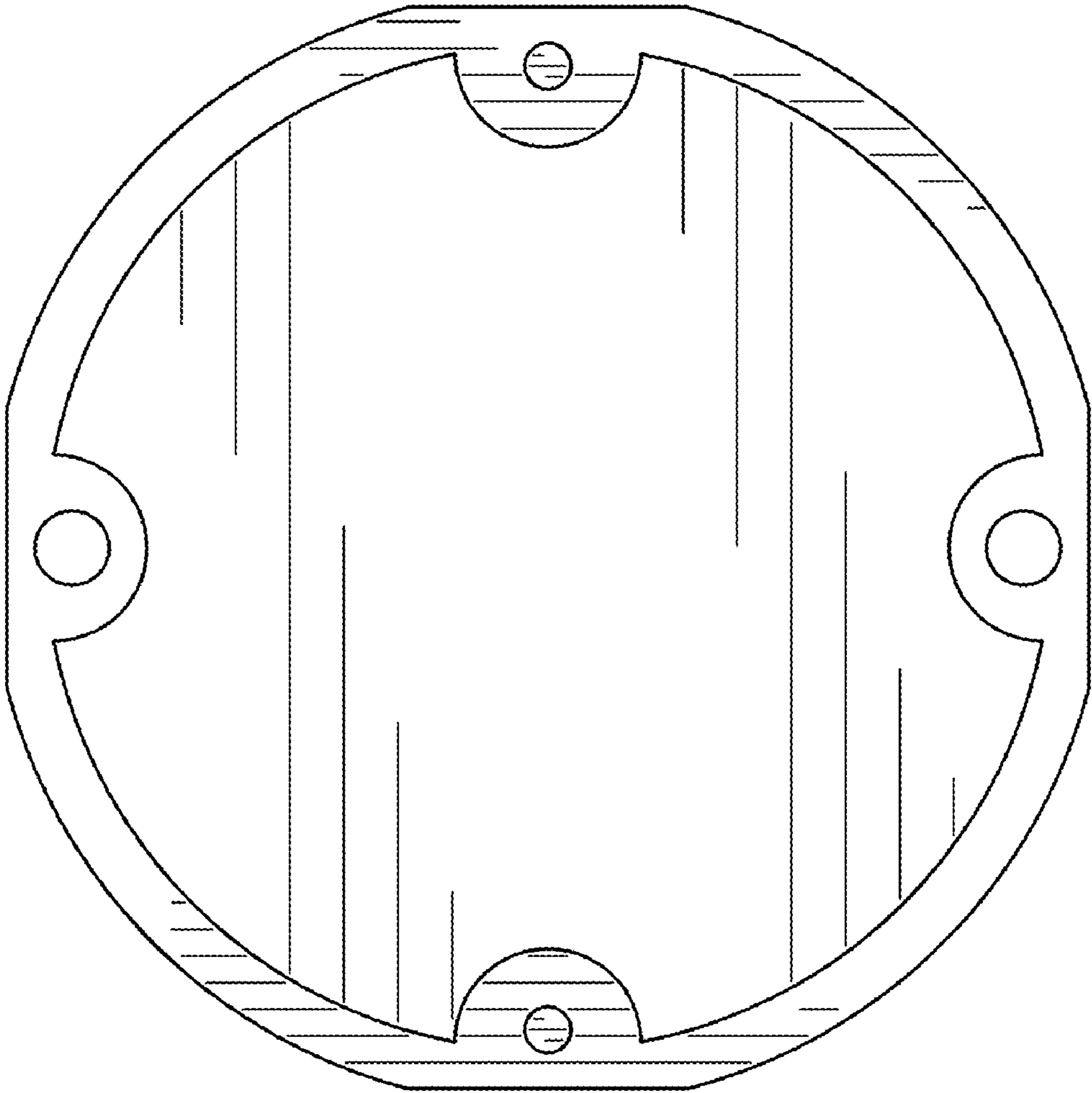


FIG. 4

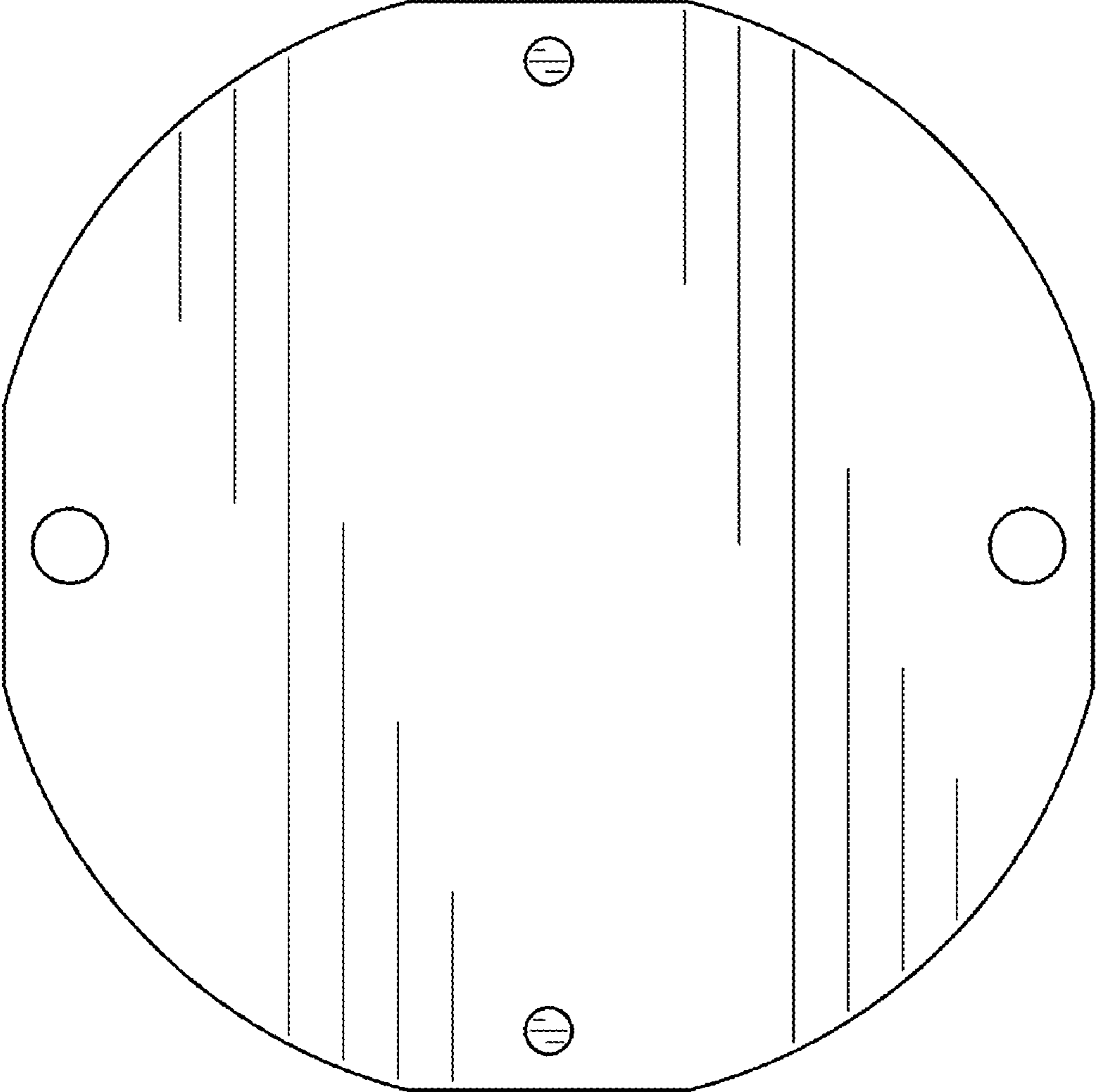


FIG. 5