



US00D598398S

(12) **United States Design Patent**
Hozumi

(10) **Patent No.:** **US D598,398 S**

(45) **Date of Patent:** **** Aug. 18, 2009**

(54) **TRIGGER SWITCH**

(75) Inventor: **Akihiro Hozumi**, Kyoto (JP)

(73) Assignee: **Omron Corporation**, Kyoto (JP)

(**) Term: **14 Years**

(21) Appl. No.: **29/306,832**

(22) Filed: **Apr. 17, 2008**

(30) **Foreign Application Priority Data**

Oct. 18, 2007 (JP) D 2007-028569
Oct. 18, 2007 (JP) D 2007-028570

(51) **LOC (9) Cl.** **13-03**

(52) **U.S. Cl.** **D13/169; D13/158**

(58) **Field of Classification Search** D13/169,
D13/170, 171, 173; 174/66; 200/5 R, 1 B,
200/433, 525, 553, 315, 329, 335, 332, 339;
338/176; 315/291-296

See application file for complete search history.

(56) **References Cited**

U.S. PATENT DOCUMENTS

D26,650 S * 2/1897 Hart D13/173
D224,114 S * 7/1972 Mueller D13/171
4,068,109 A * 1/1978 Hall 200/332
D253,106 S * 10/1979 Holce et al. D13/173
D327,256 S * 6/1992 Balaban D13/171

D344,265 S * 2/1994 Schaeffer D13/169
D349,101 S * 7/1994 Schaeffer D13/174
D377,337 S * 1/1997 Schaeffer D13/171

* cited by examiner

Primary Examiner—Selina Sikder

(74) *Attorney, Agent, or Firm*—Harness, Dickey & Pierce

(57) **CLAIM**

The ornamental design for a trigger switch, as shown and described.

DESCRIPTION

FIG. 1 is a bottom, front and right side perspective view of a trigger switch showing my new design;

FIG. 2 is a top, front and left side perspective view thereof;

FIG. 3 is a front elevational view thereof;

FIG. 4 is a rear elevational view thereof;

FIG. 5 is a left side view thereof;

FIG. 6 is a right side view thereof;

FIG. 7 is a top plan view thereof;

FIG. 8 is a bottom plan view thereof;

FIG. 9 is a bottom, front and right side view thereof, shown in an alternate position of use; and,

FIG. 10 is a top, front and left side perspective view thereof.

1 Claim, 5 Drawing Sheets

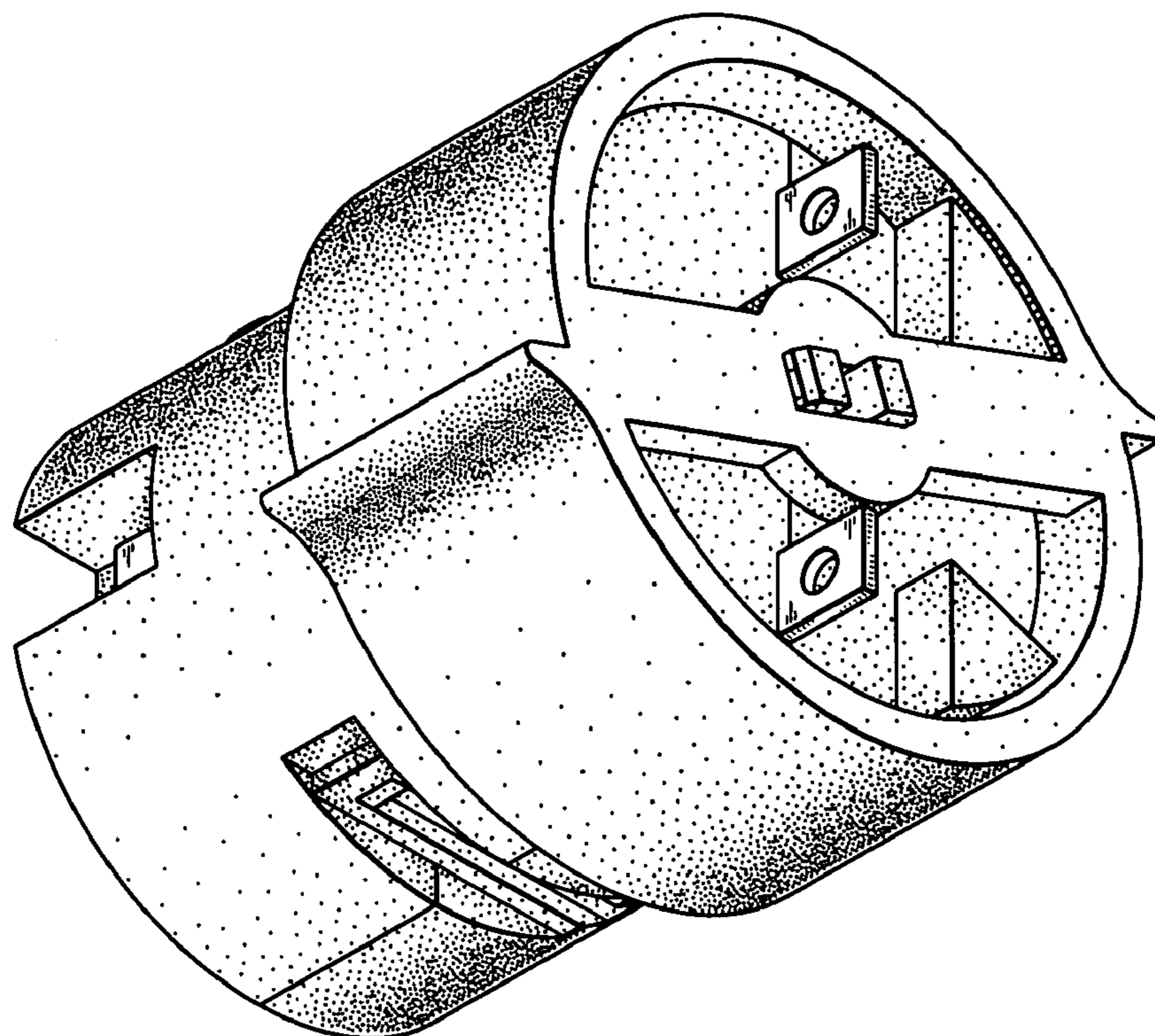


Fig. 1

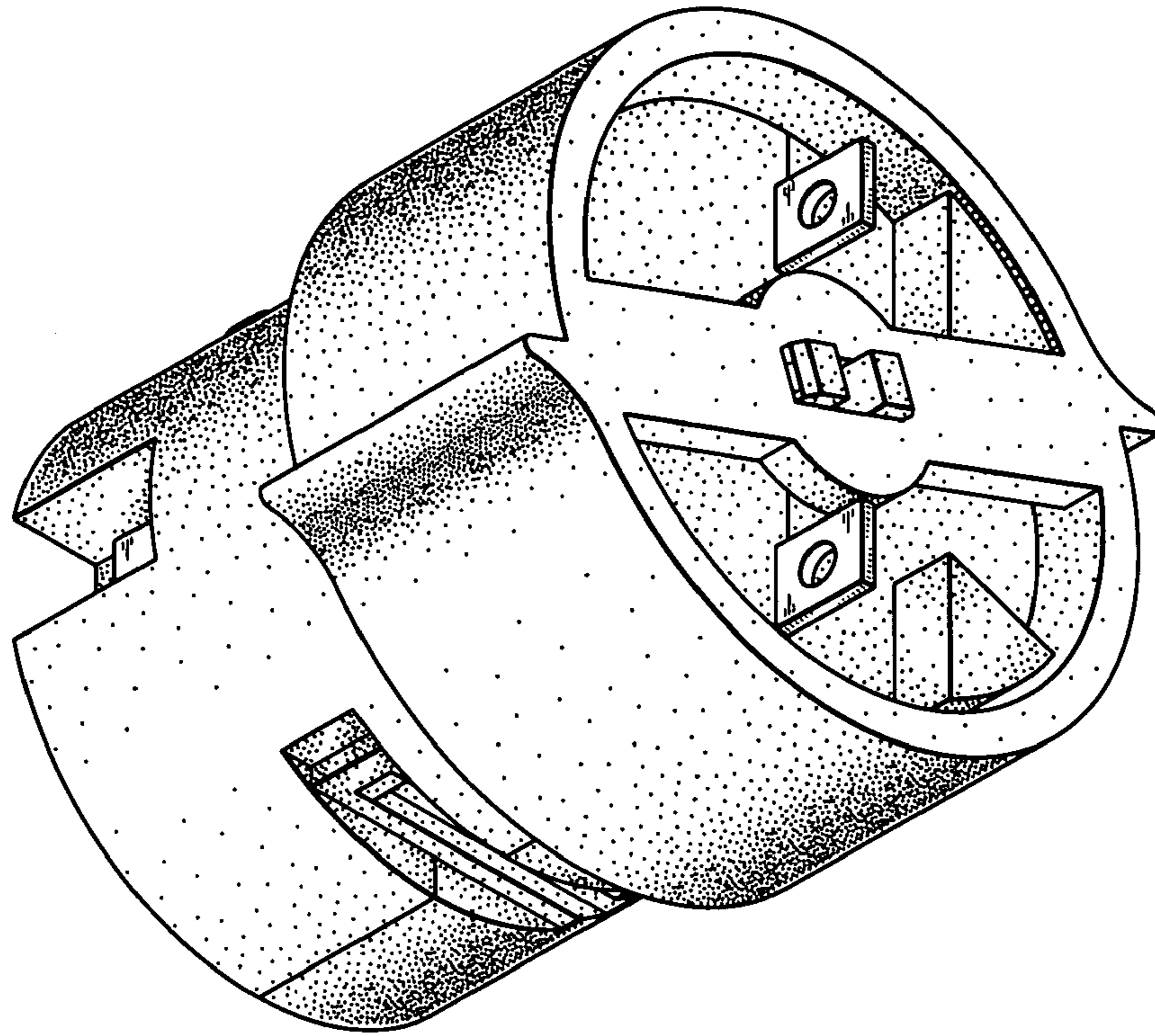


Fig. 2

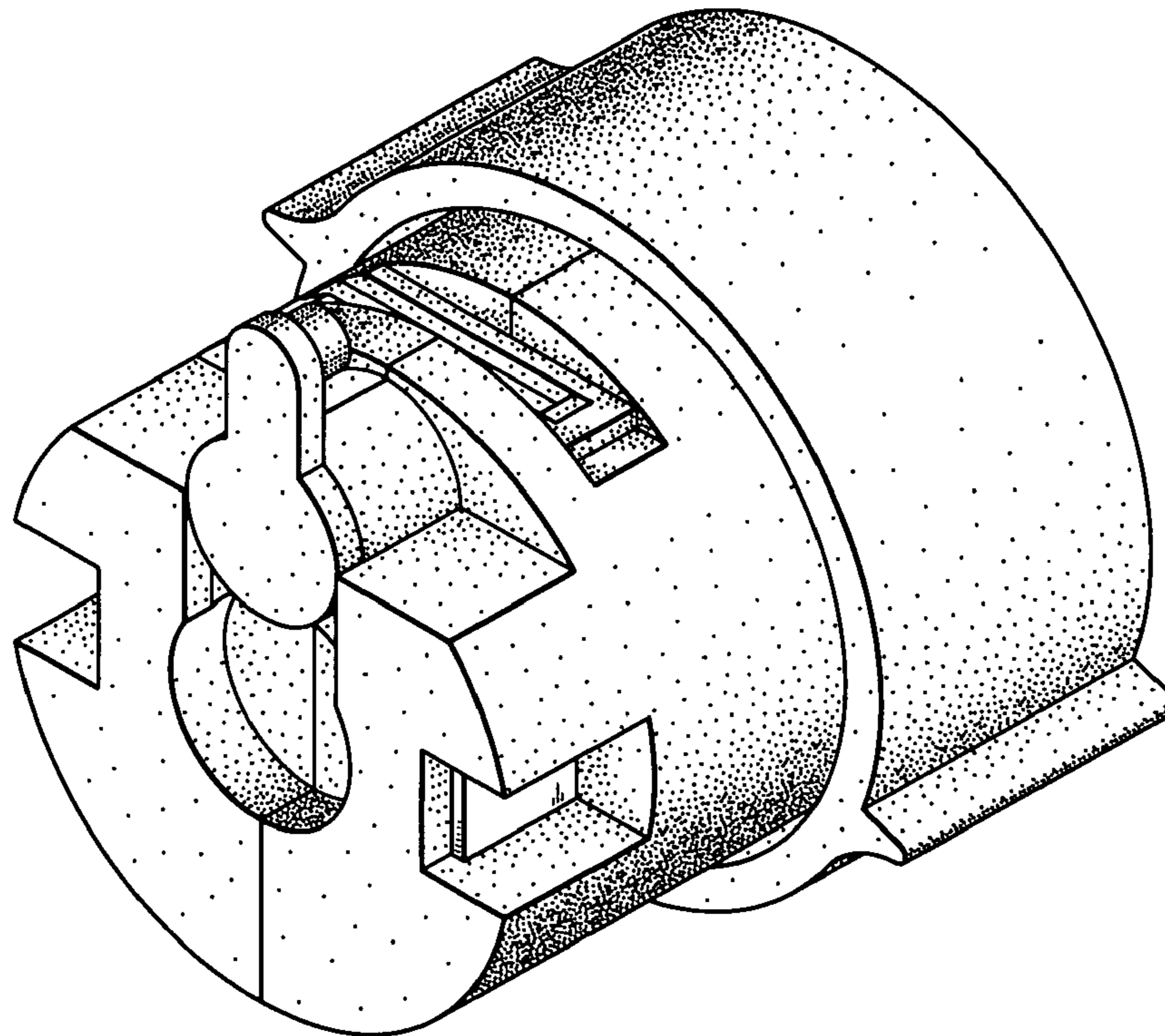


Fig. 3

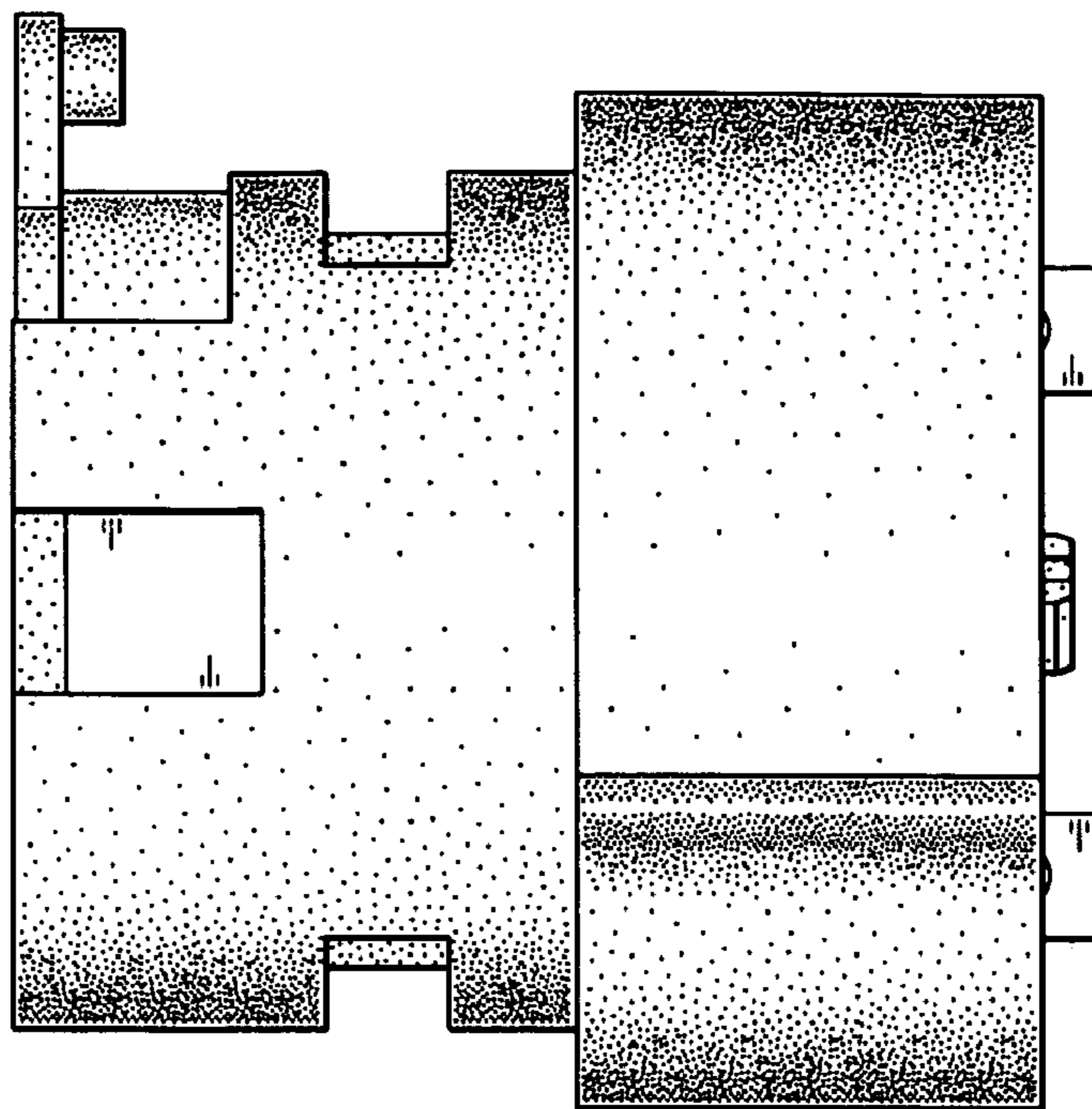


Fig. 4

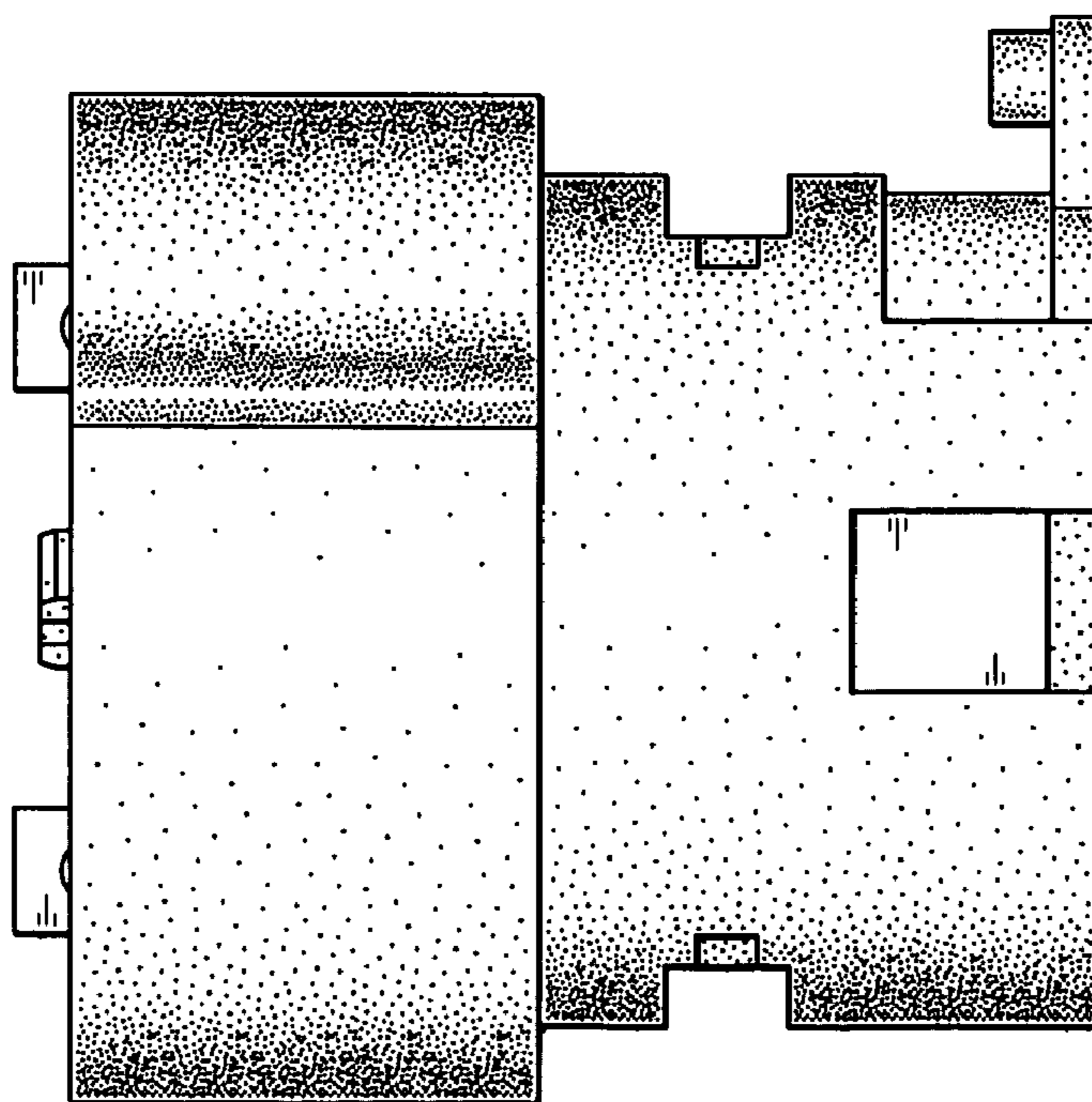


Fig. 5

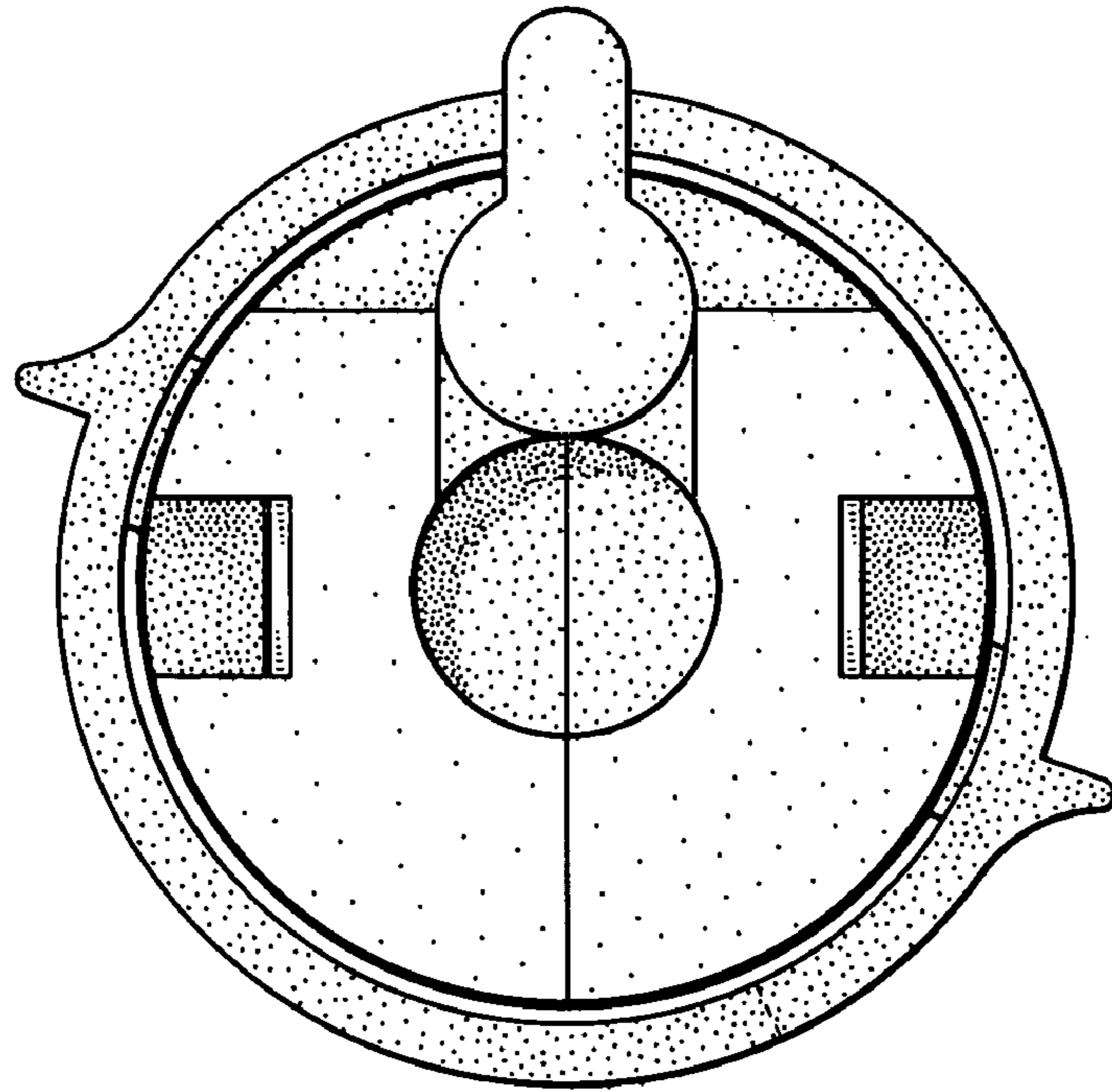


Fig. 6

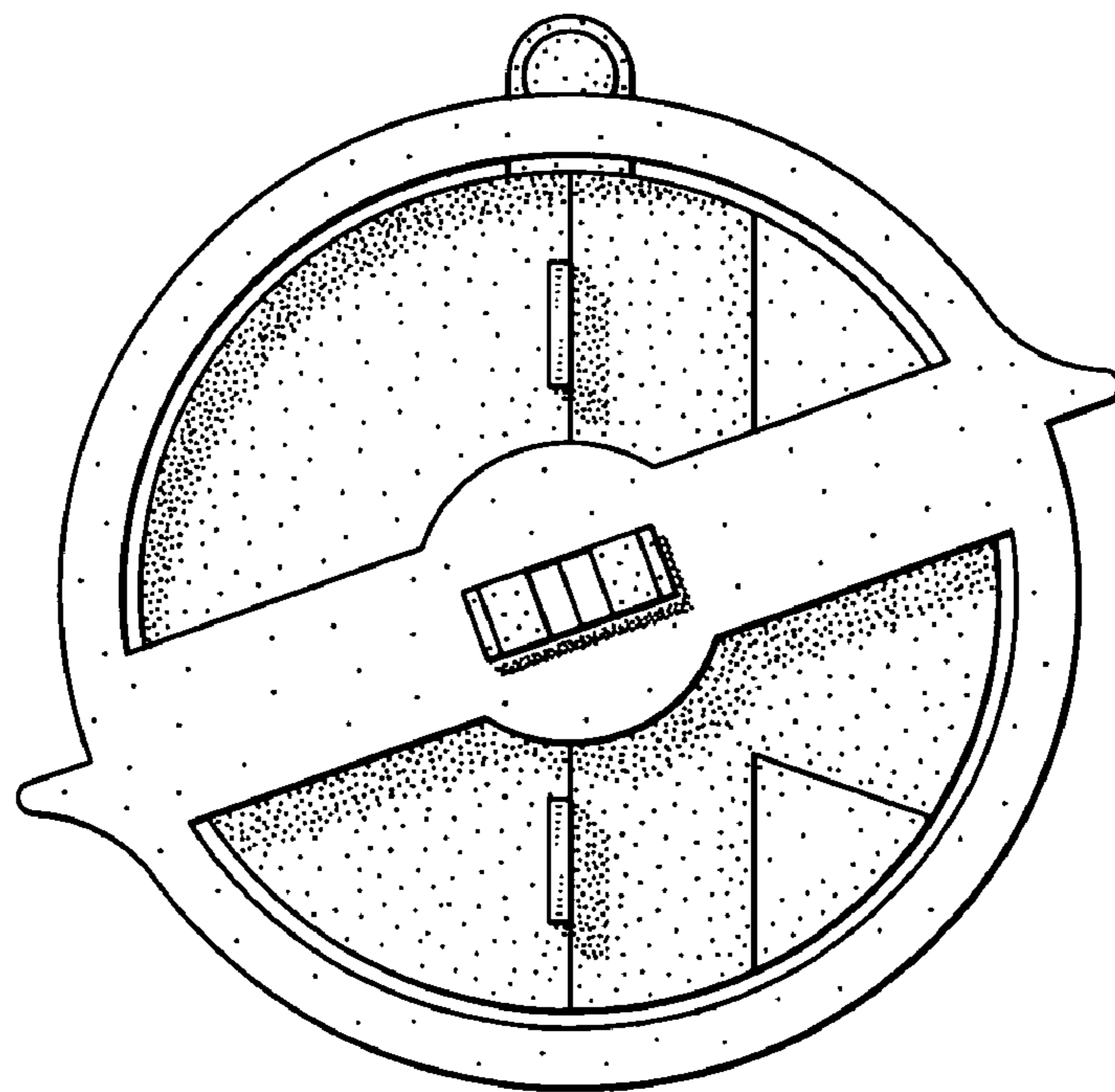


Fig. 7

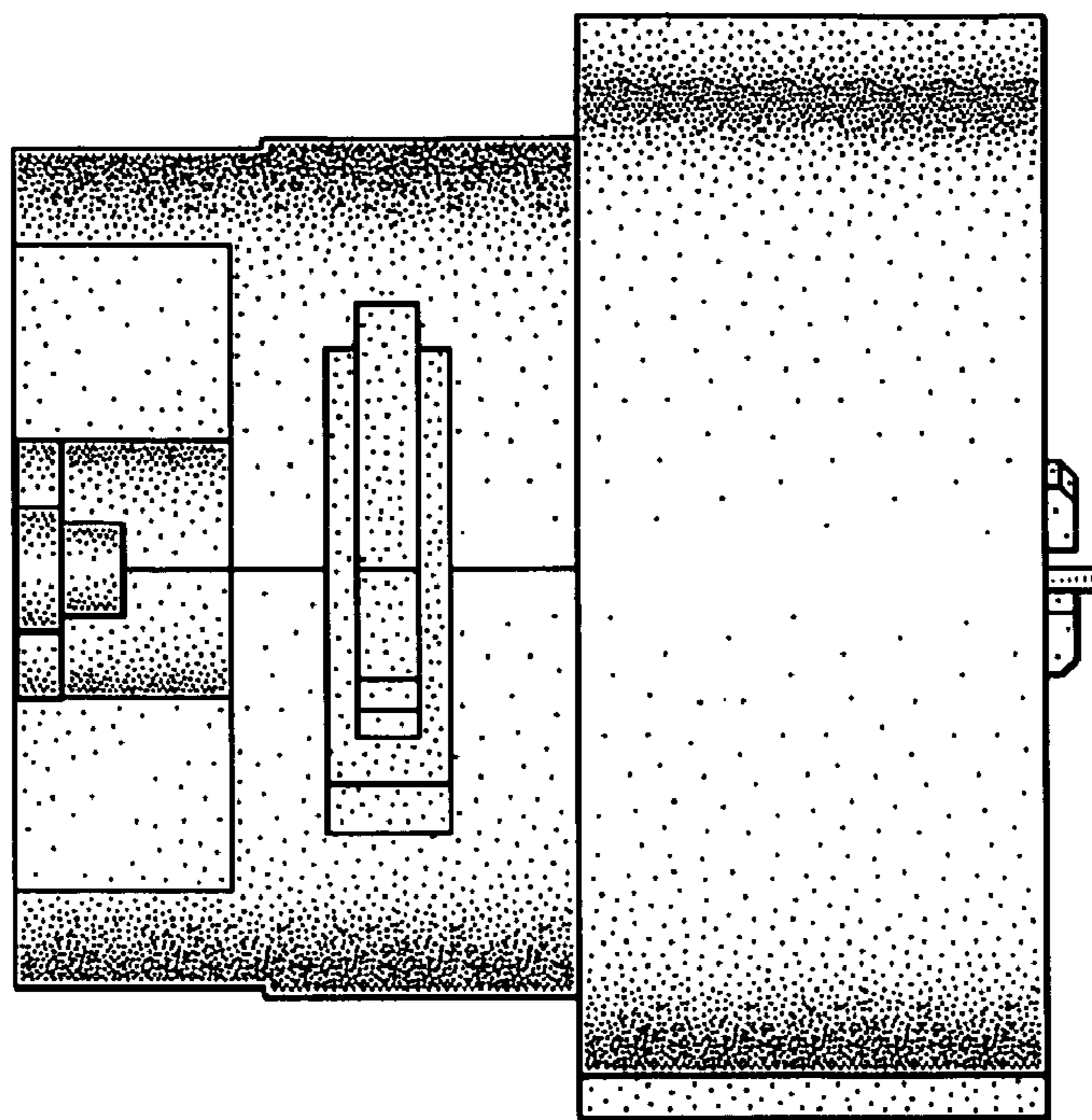


Fig. 8

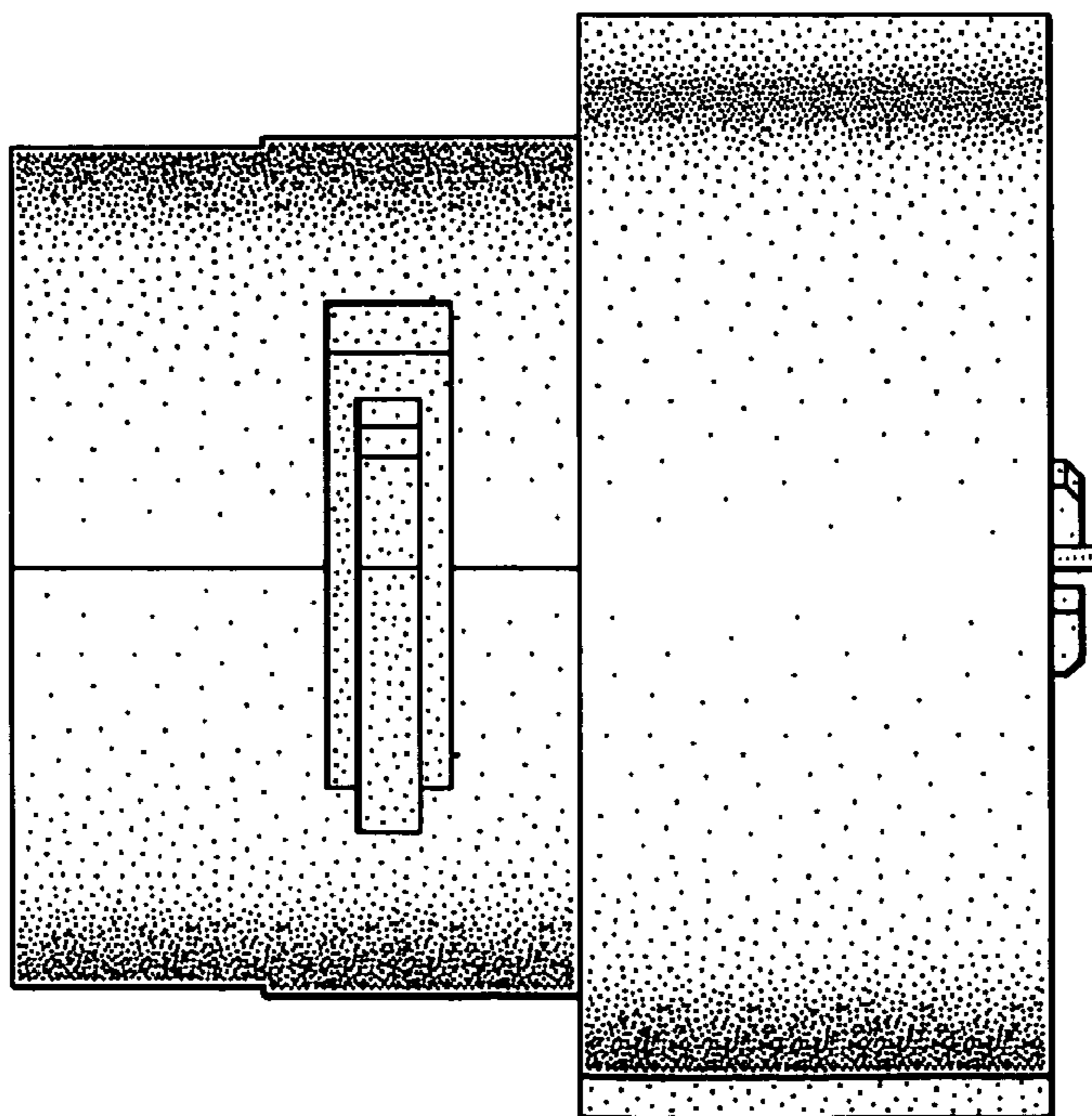


Fig. 9

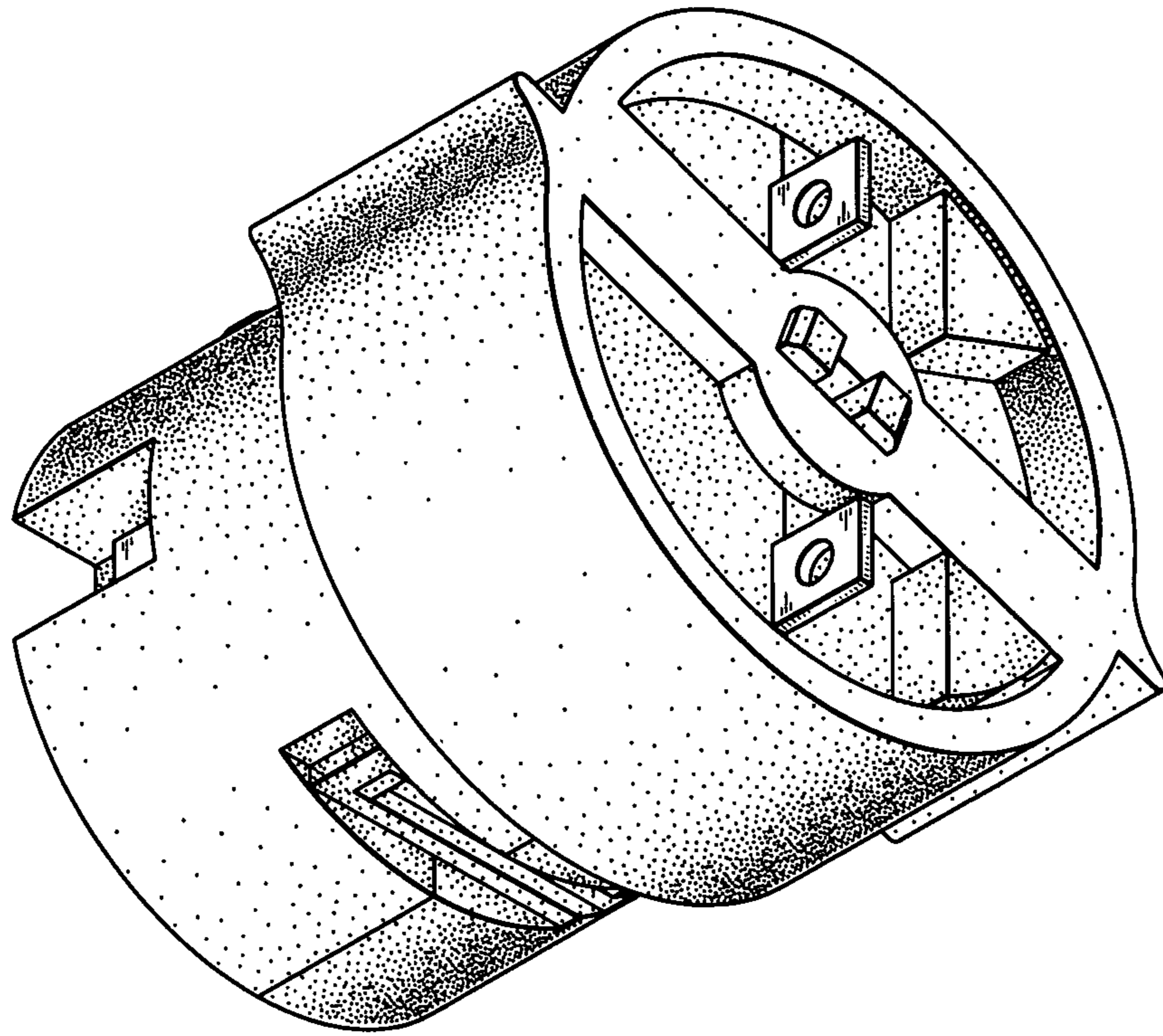


Fig. 10

