



US00D598397S

(12) **United States Design Patent**
Reger et al.

(10) **Patent No.:** **US D598,397 S**

(45) **Date of Patent:** **** Aug. 18, 2009**

(54) **ROTATABLE CONTROL PANEL**

(75) Inventors: **James Joseph Reger**, Austin, TX (US);
Richard Andrew Crisp, Austin, TX
(US); **Paul David Kramer**, Austin, TX
(US); **Kevin C. Sloan**, Austin, TX (US)

(73) Assignee: **Dell Products L.P.**, Round Rock, TX
(US)

(**) Term: **14 Years**

(21) Appl. No.: **29/305,332**

(22) Filed: **Mar. 18, 2008**

(51) **LOC (9) Cl.** **13-03**

(52) **U.S. Cl.** **D13/164**

(58) **Field of Classification Search** D13/162,
D13/164, 168, 177, 184, 199; D14/217,
D14/257; D15/7-9.2; D21/242; 200/5 A,
200/5 R; D23/354; 236/46 R; 165/217,
165/238

See application file for complete search history.

(56) **References Cited**

U.S. PATENT DOCUMENTS

D370,641 S * 6/1996 Quinones et al. D10/83
D371,123 S * 6/1996 Amundsen D14/441
D371,752 S * 7/1996 Stemporzewski, Jr. D10/104
D433,440 S 11/2000 Takenouchi et al.
D435,063 S 12/2000 Gerstein et al.
D436,346 S * 1/2001 Schneider et al. D13/162
D436,370 S 1/2001 Agata et al.
D438,890 S 3/2001 Takimura
D453,181 S 1/2002 Shimamura

D457,501 S * 5/2002 Wu D13/162
D464,628 S * 10/2002 Saito et al. D13/162
D486,513 S 2/2004 Ohashi
D526,351 S 8/2006 Yamamoto et al.
D537,479 S 2/2007 Alfonso et al.
D548,702 S * 8/2007 Girard D13/162
D549,182 S * 8/2007 Girard D13/162
D552,040 S * 10/2007 Girard D13/162
D578,531 S * 10/2008 Ding et al. D14/375
D589,964 S * 4/2009 Heggland et al. D14/434

* cited by examiner

Primary Examiner—Daniel D Bui

Assistant Examiner—Thomas J Johannes

(74) *Attorney, Agent, or Firm*—Hamilton & Terrile, LLP;
Stephen A. Terrile

(57) **CLAIM**

The ornamental design for a rotatable control panel, as shown and described.

DESCRIPTION

FIG. 1 is a front perspective view of a rotatable control panel, showing our new design in an unclaimed usage environment;

FIG. 2 is a front view thereof;

FIG. 3 is a right side view thereof;

FIG. 4 is a left side view thereof;

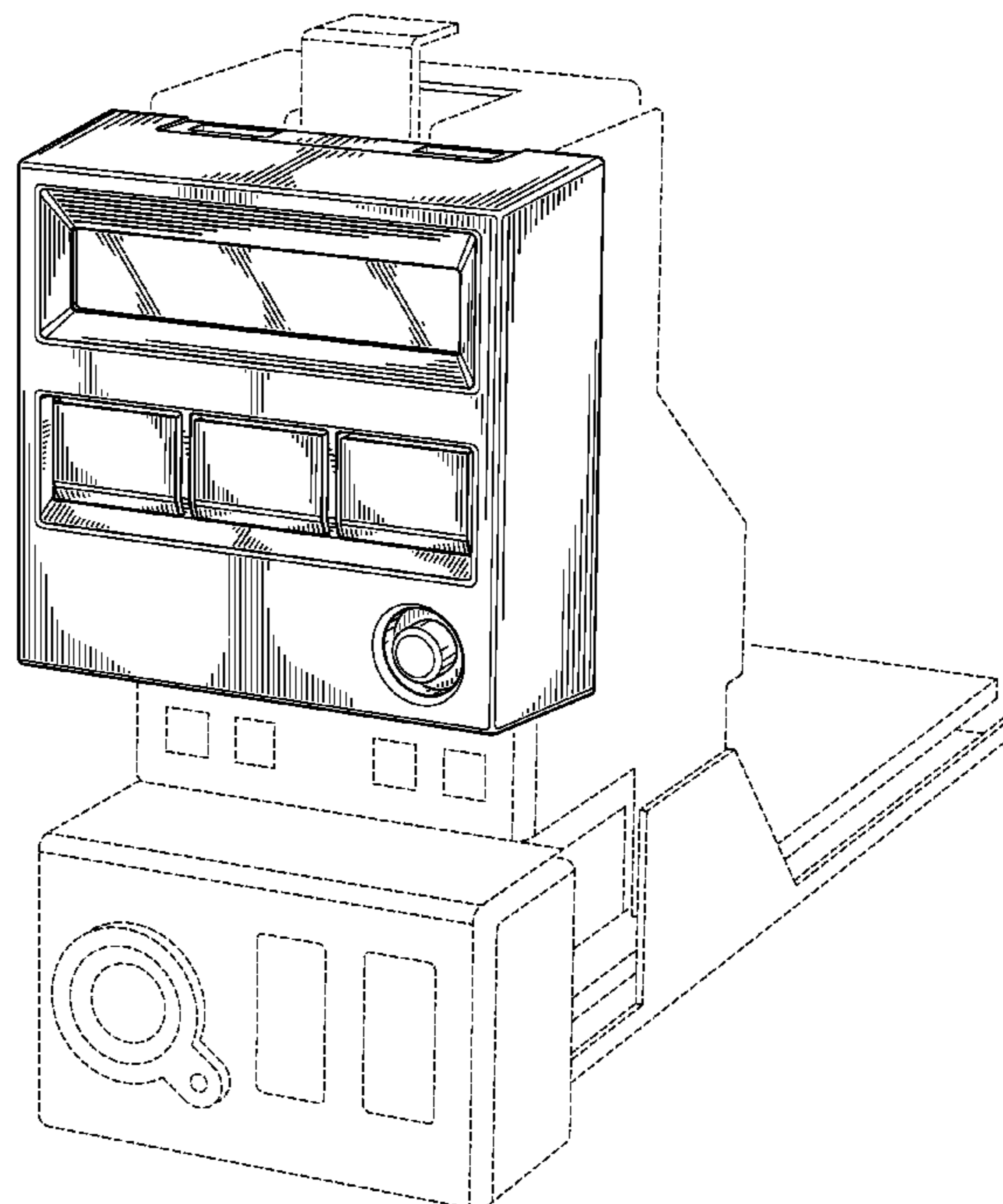
FIG. 5 is a rear view thereof;

FIG. 6 is a top view thereof; and,

FIG. 7 is a bottom view thereof.

Broken lines are shown for illustrative purposes only and form no part of the claimed design.

1 Claim, 3 Drawing Sheets



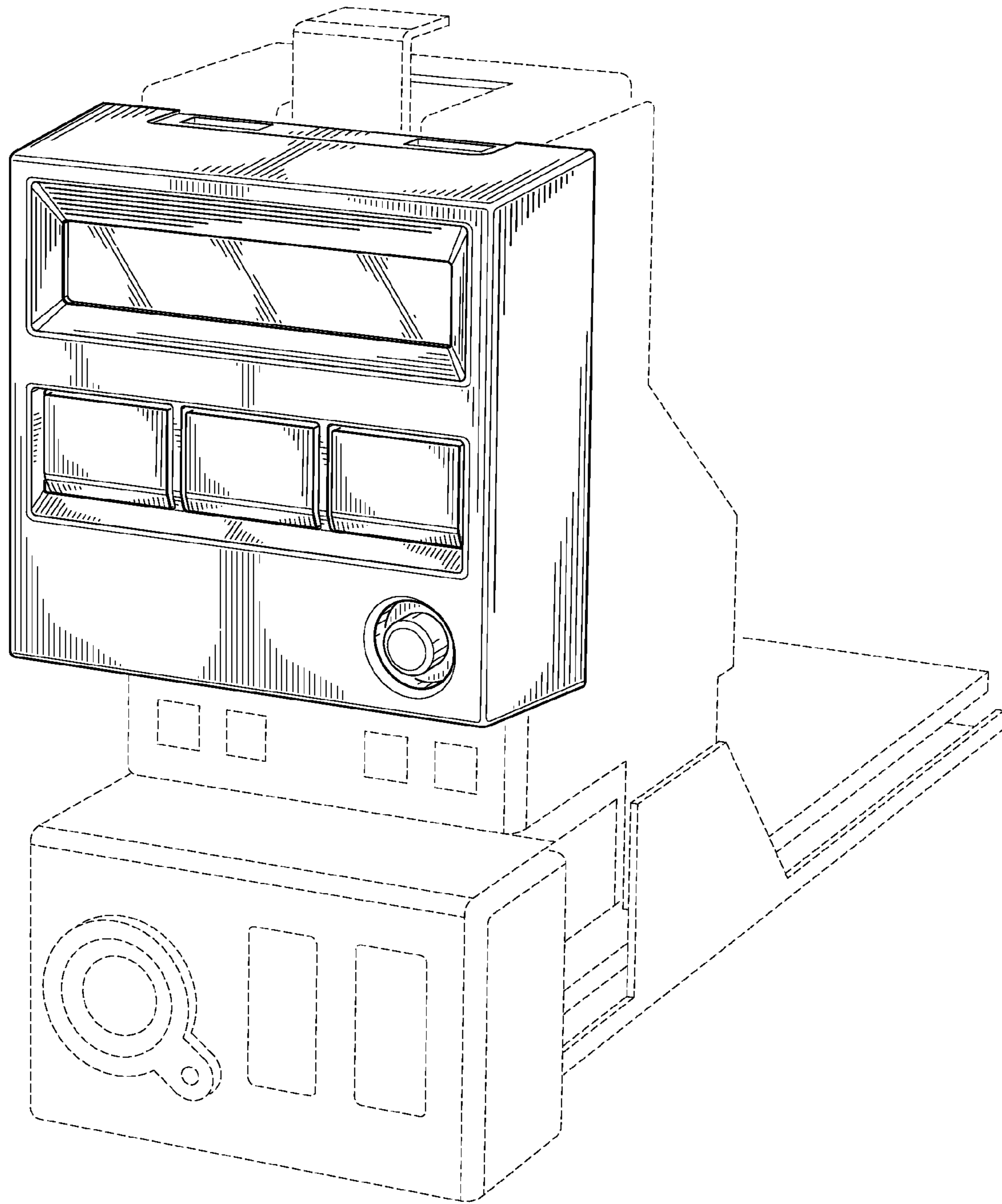


FIG. 1

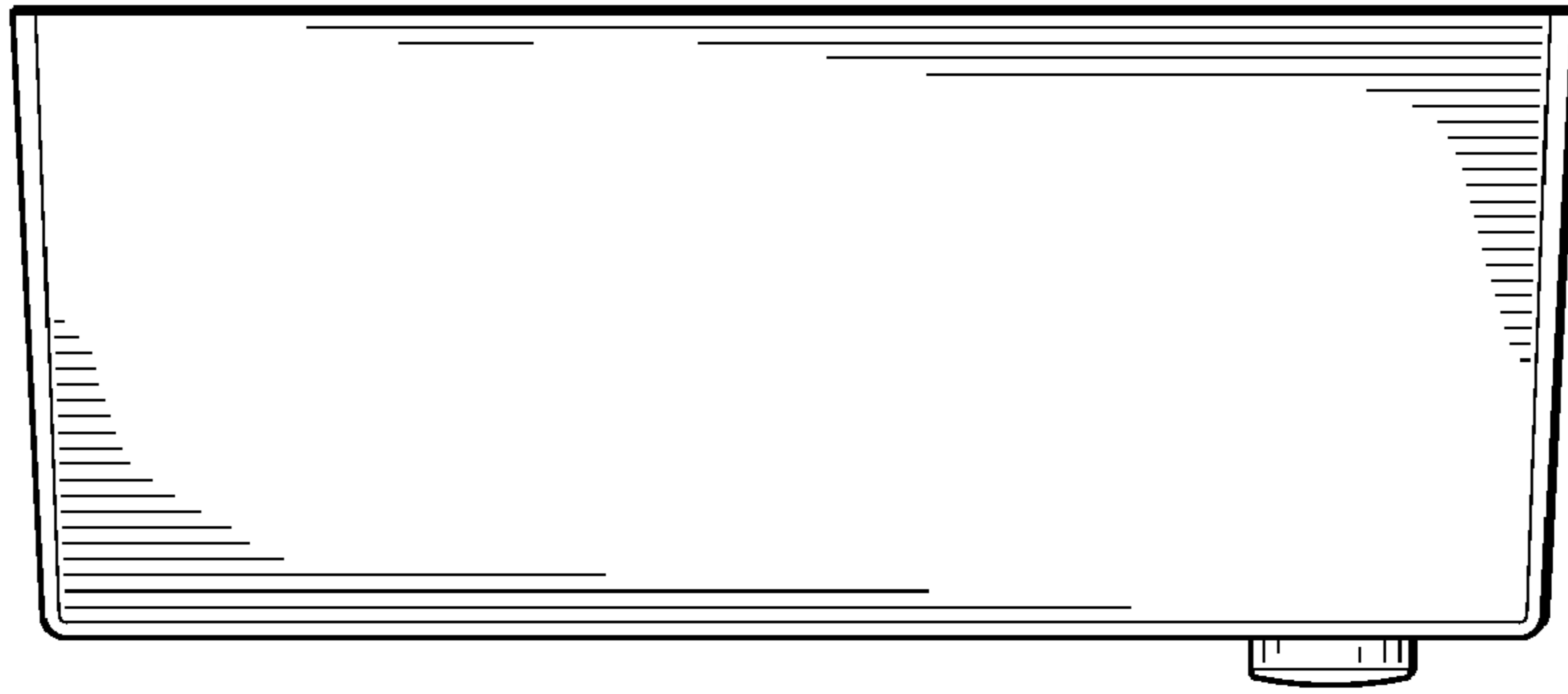


FIG. 3

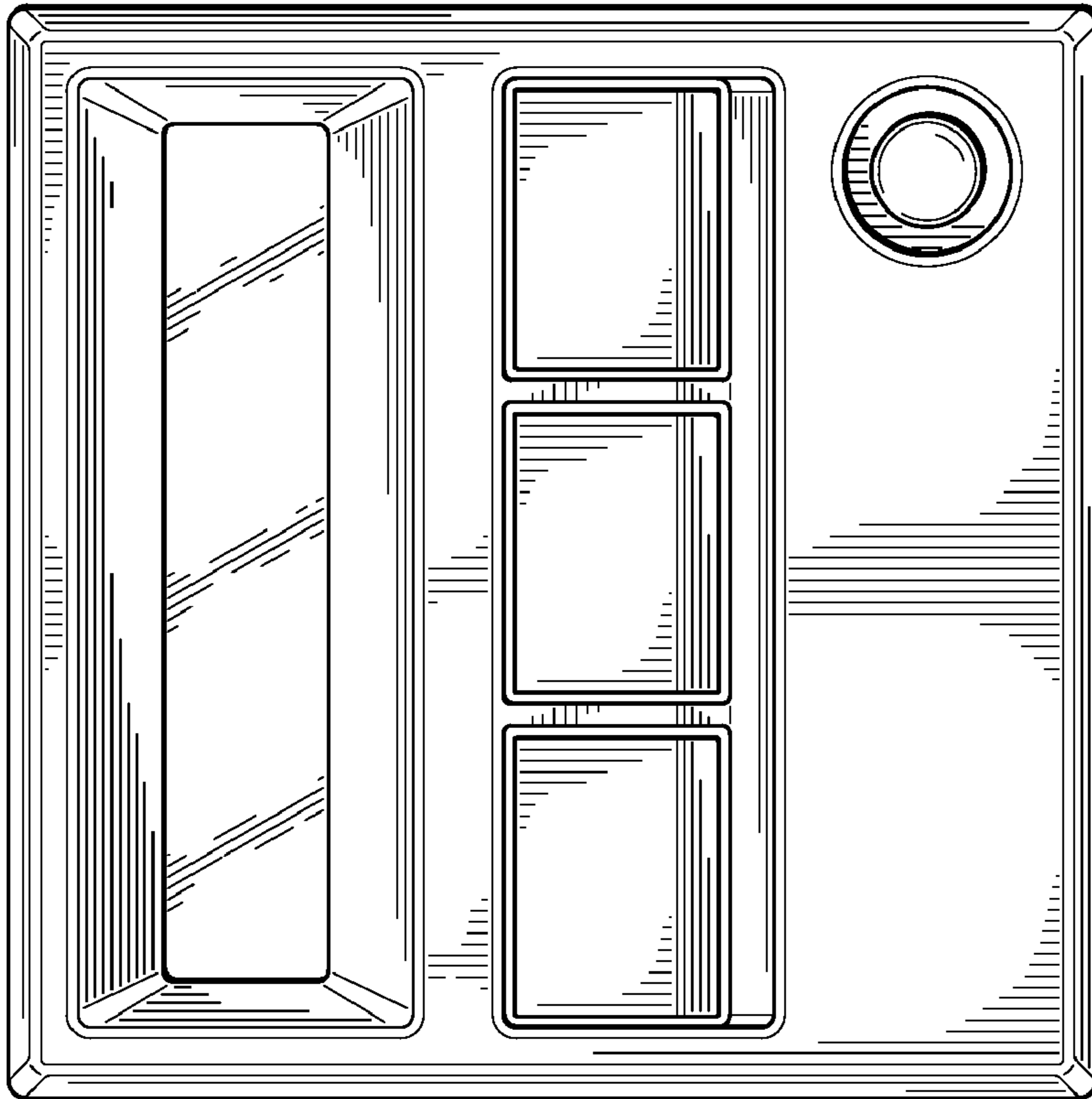


FIG. 2

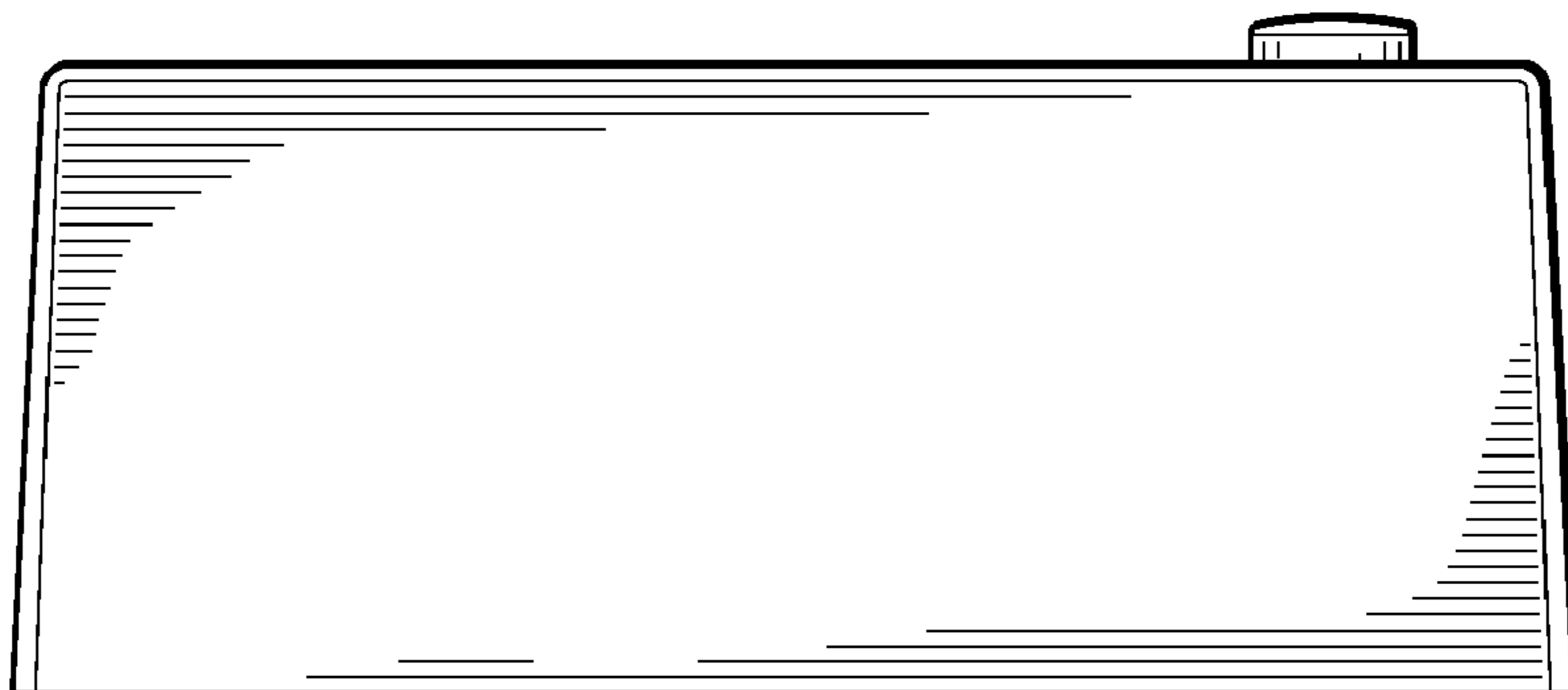


FIG. 4

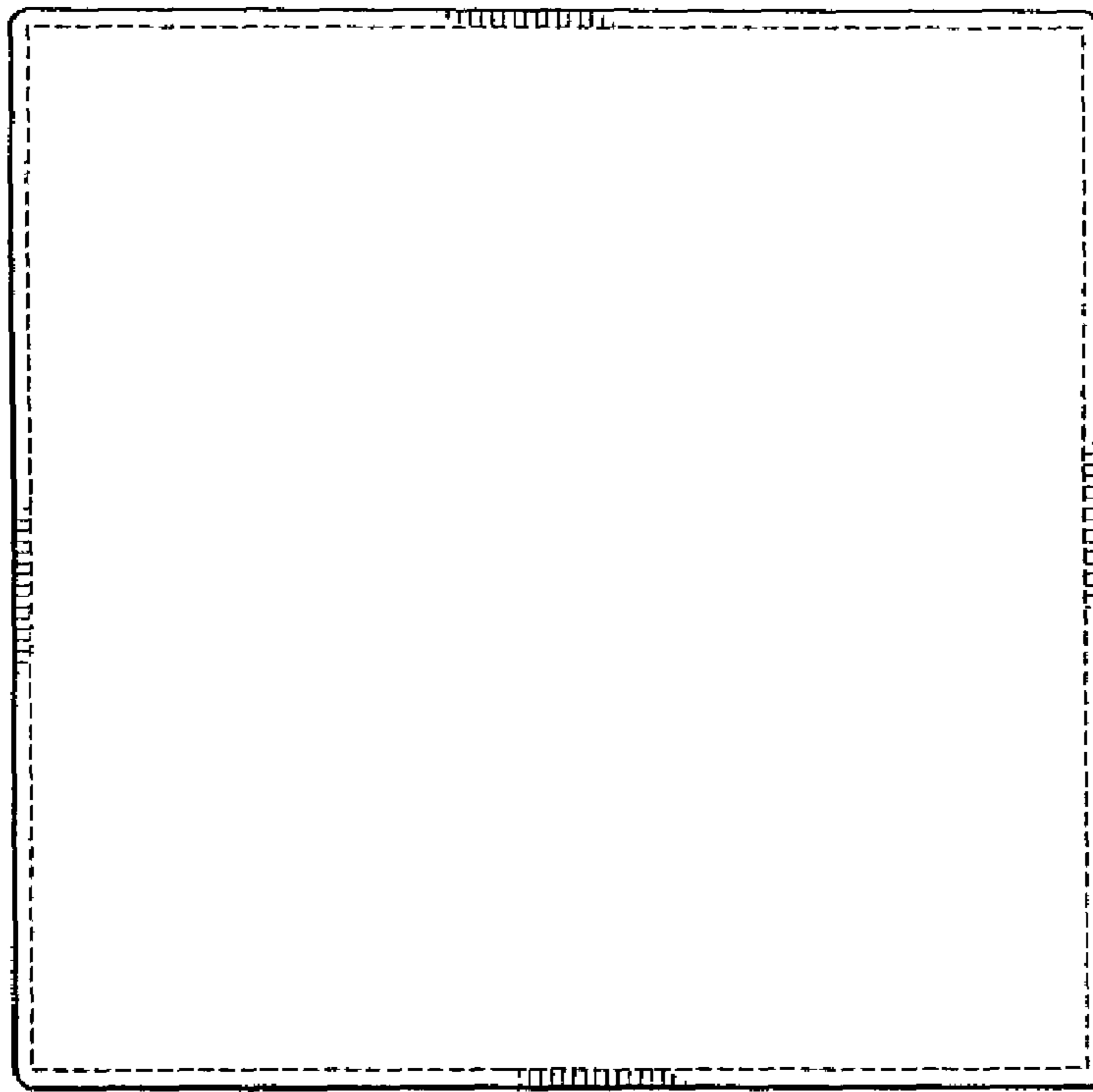


FIG. 5

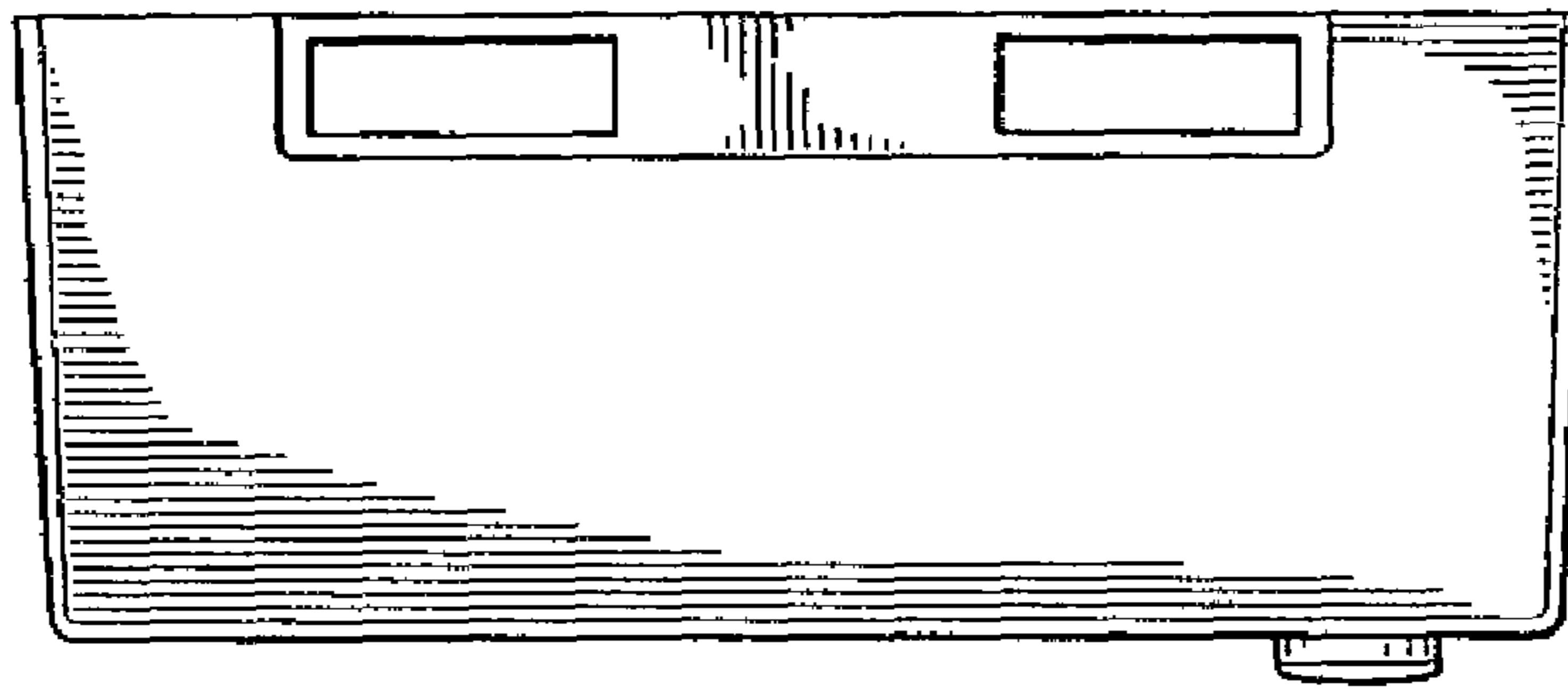


FIG. 6

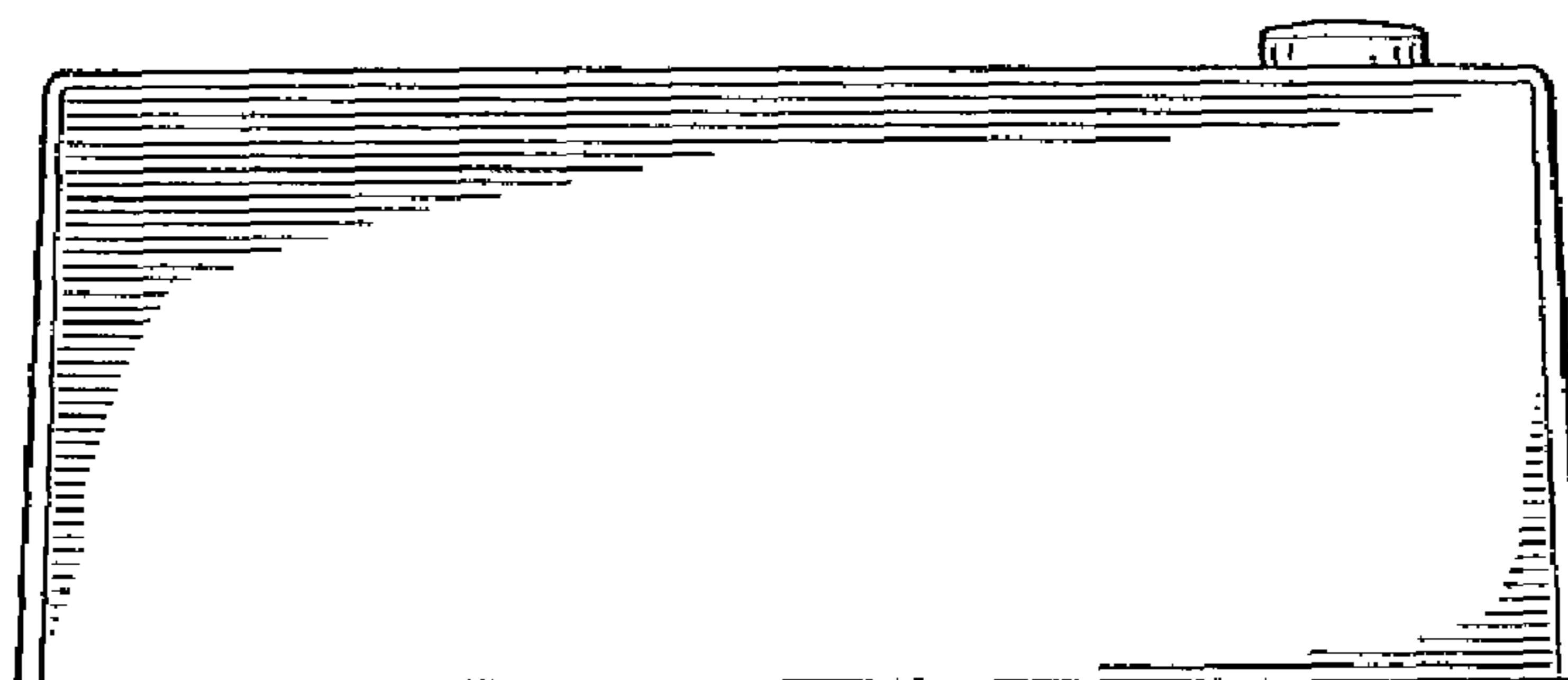


FIG. 7