

US00D598396S

(12) **United States Design Patent**
Lee

(10) **Patent No.:** **US D598,396 S**
(45) **Date of Patent:** **** Aug. 18, 2009**

(54) **CONTROL PANEL FOR AN ELEVATOR**

(75) Inventor: **Han U. Lee**, Guri-si (KR)

(73) Assignee: **Otis Elevator Company**, Farmington, CT (US)

(**) Term: **14 Years**

(21) Appl. No.: **29/323,161**

(22) Filed: **Aug. 20, 2008**

(30) **Foreign Application Priority Data**

Feb. 20, 2008 (KR) 30-2008-0007139

(51) **LOC (9) Cl.** **13-03**

(52) **U.S. Cl.** **D13/162**

(58) **Field of Classification Search** D13/158,
D13/162, 164, 168, 184, 199; D10/104,
D10/106; D14/218, 247; 340/825.24, 825.25,
340/825.31, 825.36, 825.69, 825.72; 341/20,
341/22, 23, 34, 176; 345/156, 158, 169,
345/734; 455/92, 95, 100, 128, 151.1–151.4,
455/352–355; 463/36; 700/17, 19, 20, 65,
700/83

See application file for complete search history.

(56) **References Cited**

U.S. PATENT DOCUMENTS

D267,870 S * 2/1983 Bevilaqua et al. D13/164

D268,025 S * 2/1983 Bevilaqua et al. D13/164
D268,668 S * 4/1983 Bevilaqua et al. D13/164
D531,588 S * 11/2006 Peh D13/168
D561,702 S * 2/2008 Ohta et al. D13/168
D573,548 S * 7/2008 Chouji et al. D13/168
D584,224 S * 1/2009 Mori et al. D13/103
D589,833 S * 4/2009 Kim D10/108

* cited by examiner

Primary Examiner—Daniel D Bui

Assistant Examiner—Thomas J Johannes

(74) *Attorney, Agent, or Firm*—Carlson, Gaskey & Olds PC

(57) **CLAIM**

I claim the ornamental design for a control panel for an elevator, as shown and described.

DESCRIPTION

FIG. 1 is a perspective view of a control panel for an elevator, showing my new design;

FIG. 2 is a front elevational view thereof;

FIG. 3 is a rear elevational view thereof;

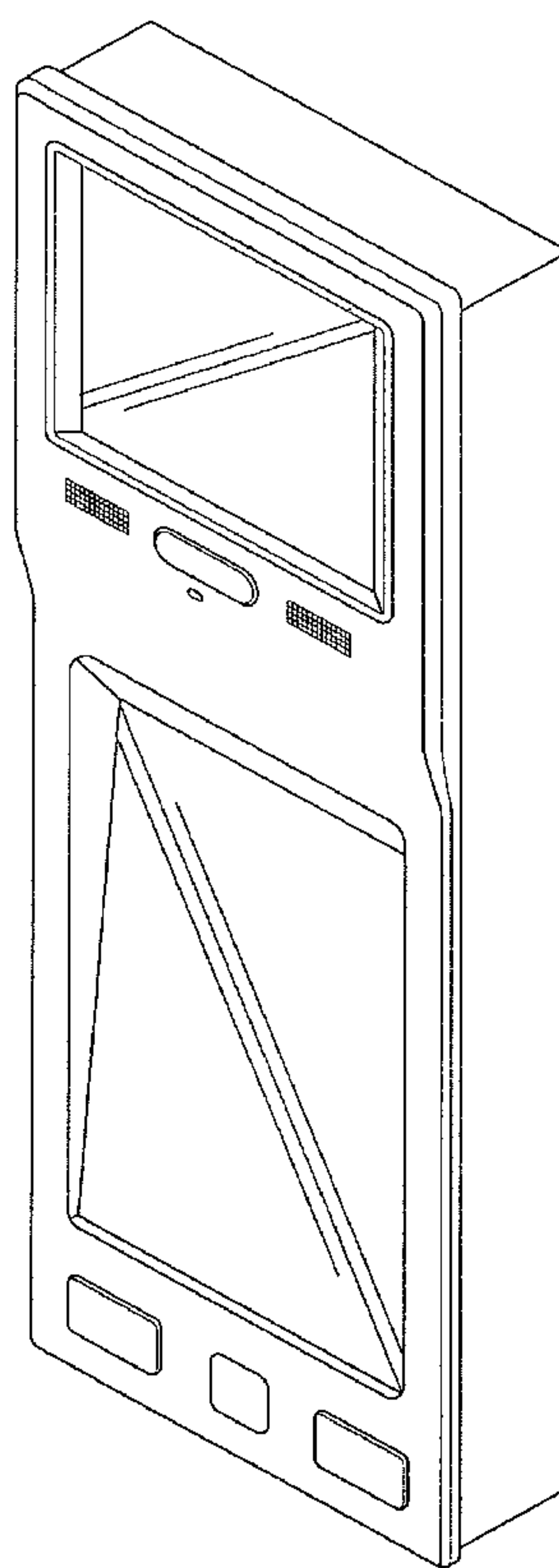
FIG. 4 is a right elevational view thereof;

FIG. 5 is a left elevational view thereof;

FIG. 6 is a top plan view thereof; and,

FIG. 7 is a bottom plan view thereof.

1 Claim, 3 Drawing Sheets



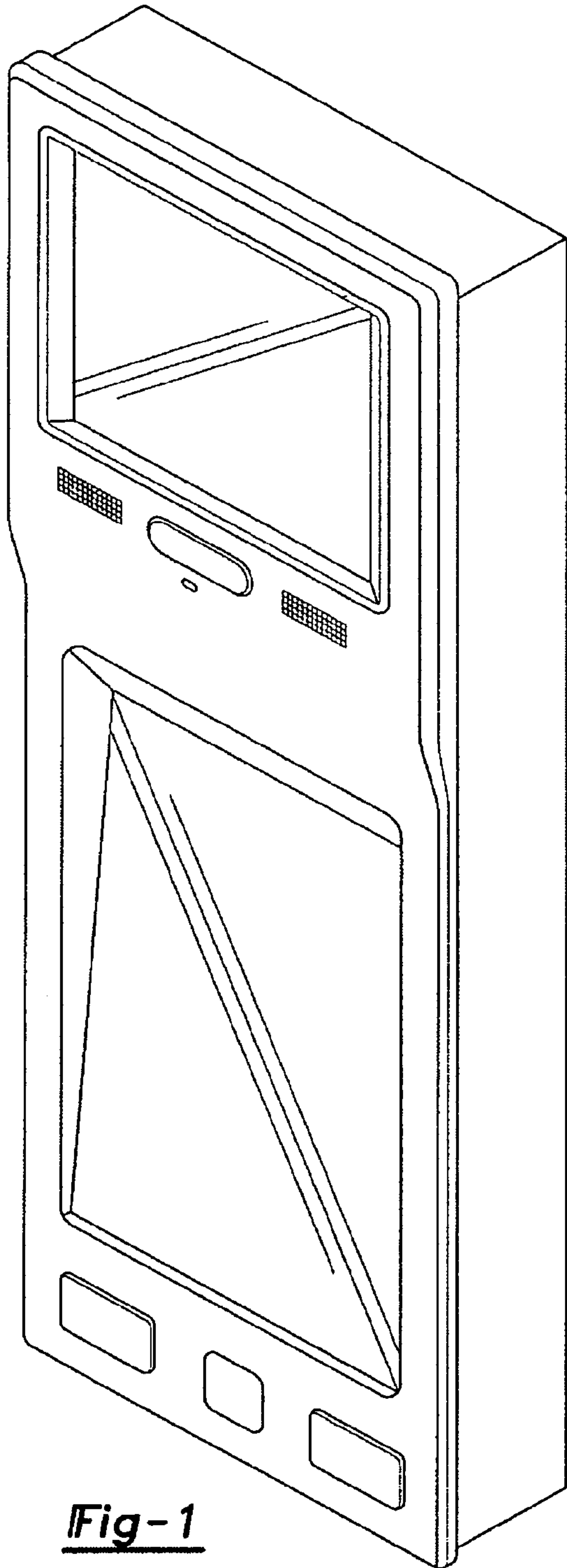


Fig-1

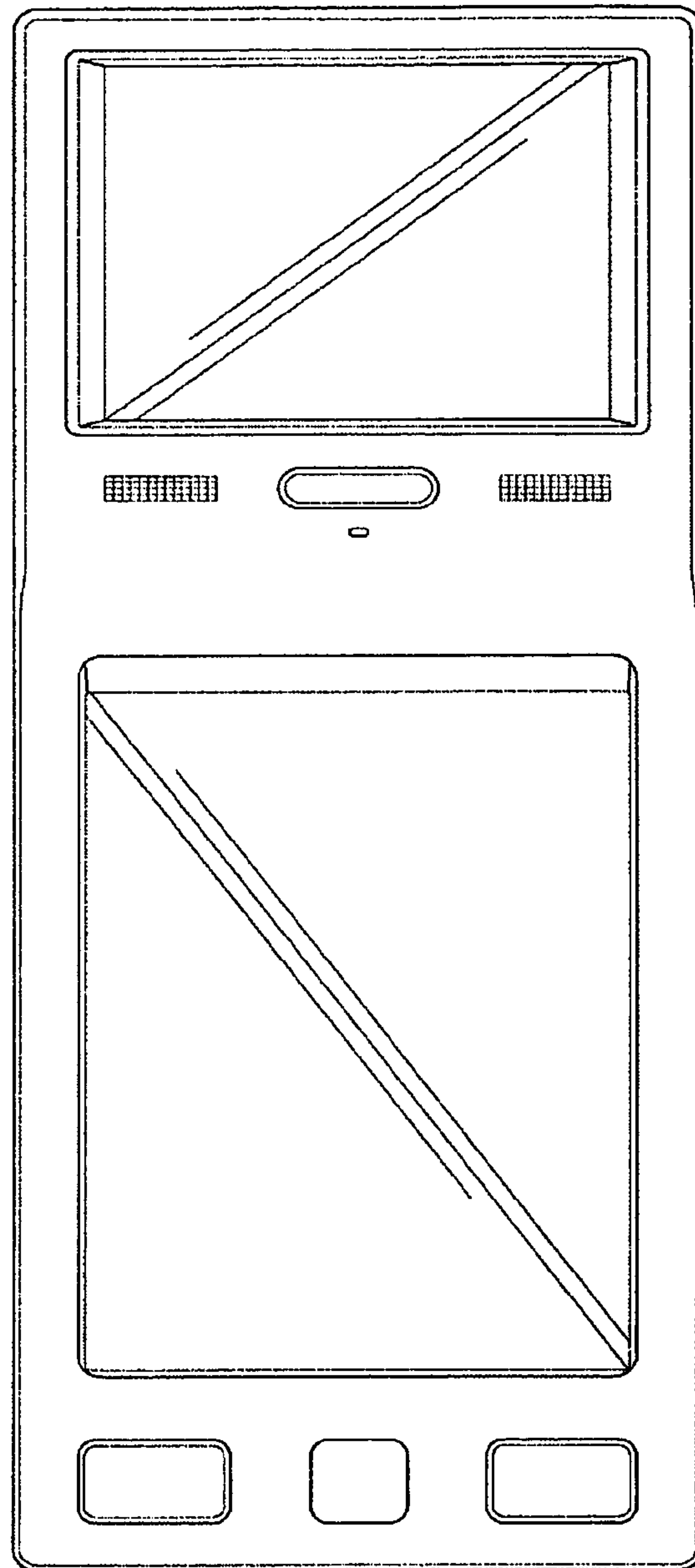


Fig-2

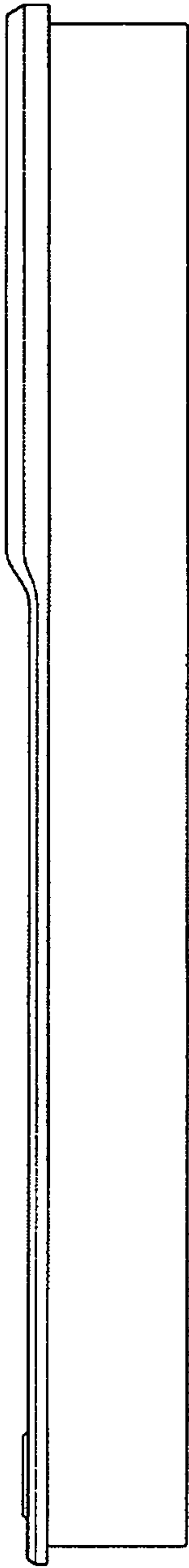


Fig-4

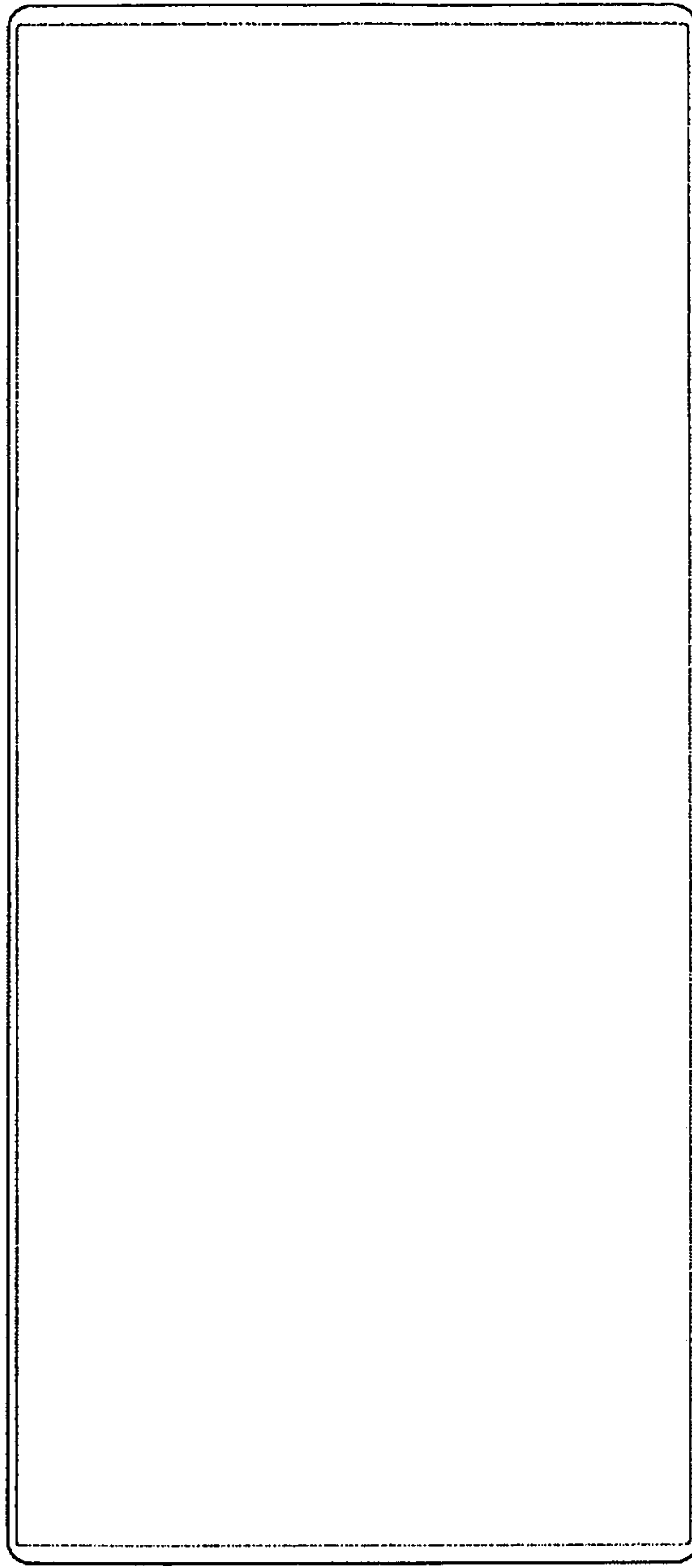


Fig-3

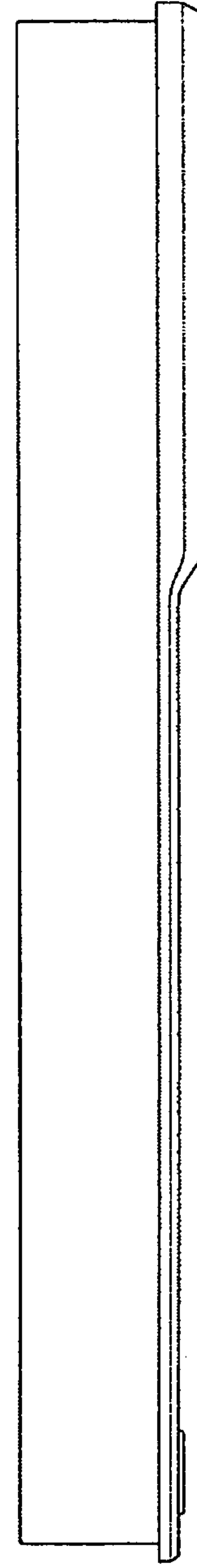


Fig-5

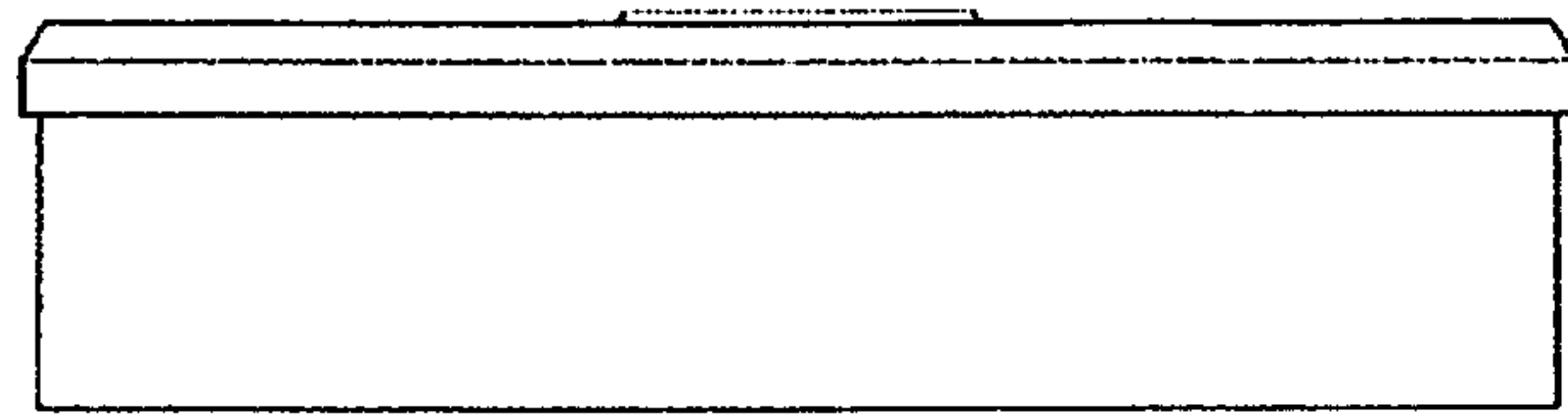


Fig-6

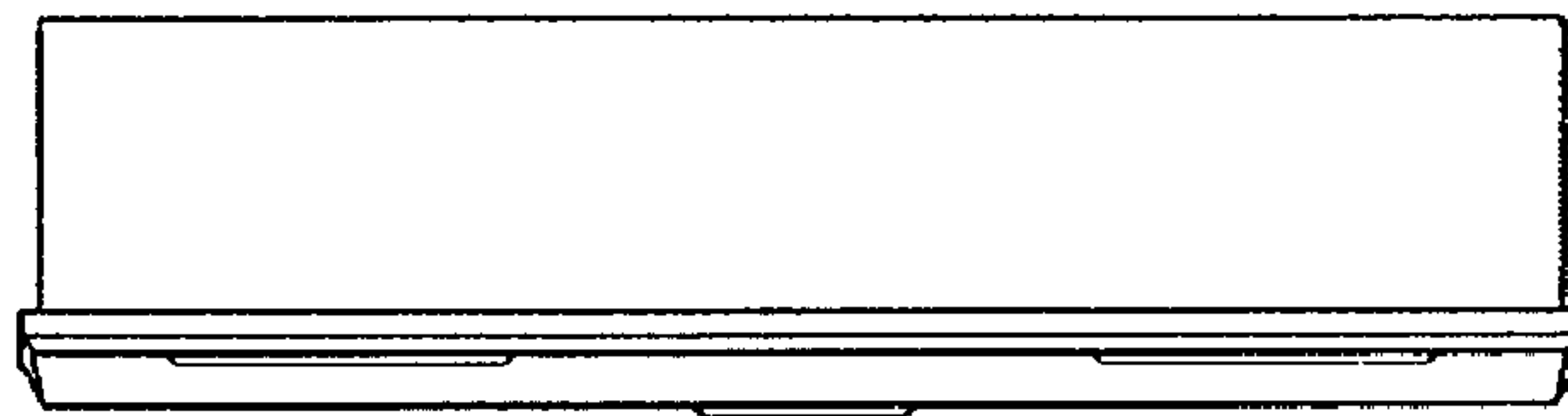


Fig-7