

US00D598391S

(12) **United States Design Patent**
Yu

(10) **Patent No.:** **US D598,391 S**

(45) **Date of Patent:** **** Aug. 18, 2009**

(54) **FPC CONNECTOR**

D547,728 S * 7/2007 Lee et al. D13/147
D580,363 S * 11/2008 Hung D13/147

(75) Inventor: **Sheng-Nan Yu**, Taipei Hsien (TW)

* cited by examiner

(73) Assignee: **Cheng Uei Precision Industry Co., Ltd.**, Taipei Hsien (TW)

Primary Examiner—Daniel D Bui
(74) *Attorney, Agent, or Firm*—WPAT, P.C.; Anthony King

(**) Term: **14 Years**

(57) **CLAIM**

(21) Appl. No.: **29/330,173**

The ornamental design for a FPC connector, as shown and described.

(22) Filed: **Dec. 30, 2008**

(51) **LOC (9) Cl.** **13-03**

(52) **U.S. Cl.** **D13/147**

(58) **Field of Classification Search** D13/133,
D13/147, 154, 184; D14/432, 433, 435,
D14/436, 438; 439/64, 79, 159–160, 330–331,
439/341–342, 607–610, 629–630, 636, 660,
439/773, 946

See application file for complete search history.

DESCRIPTION

FIG. 1 is a perspective view of a FPC connector showing my new design;

FIG. 2 is a front elevational view thereof;

FIG. 3 is a rear elevational view thereof;

FIG. 4 is a left side elevational view thereof;

FIG. 5 is a right side elevational view thereof;

FIG. 6 is a top plan view thereof;

FIG. 7 is a bottom plan view thereof; and,

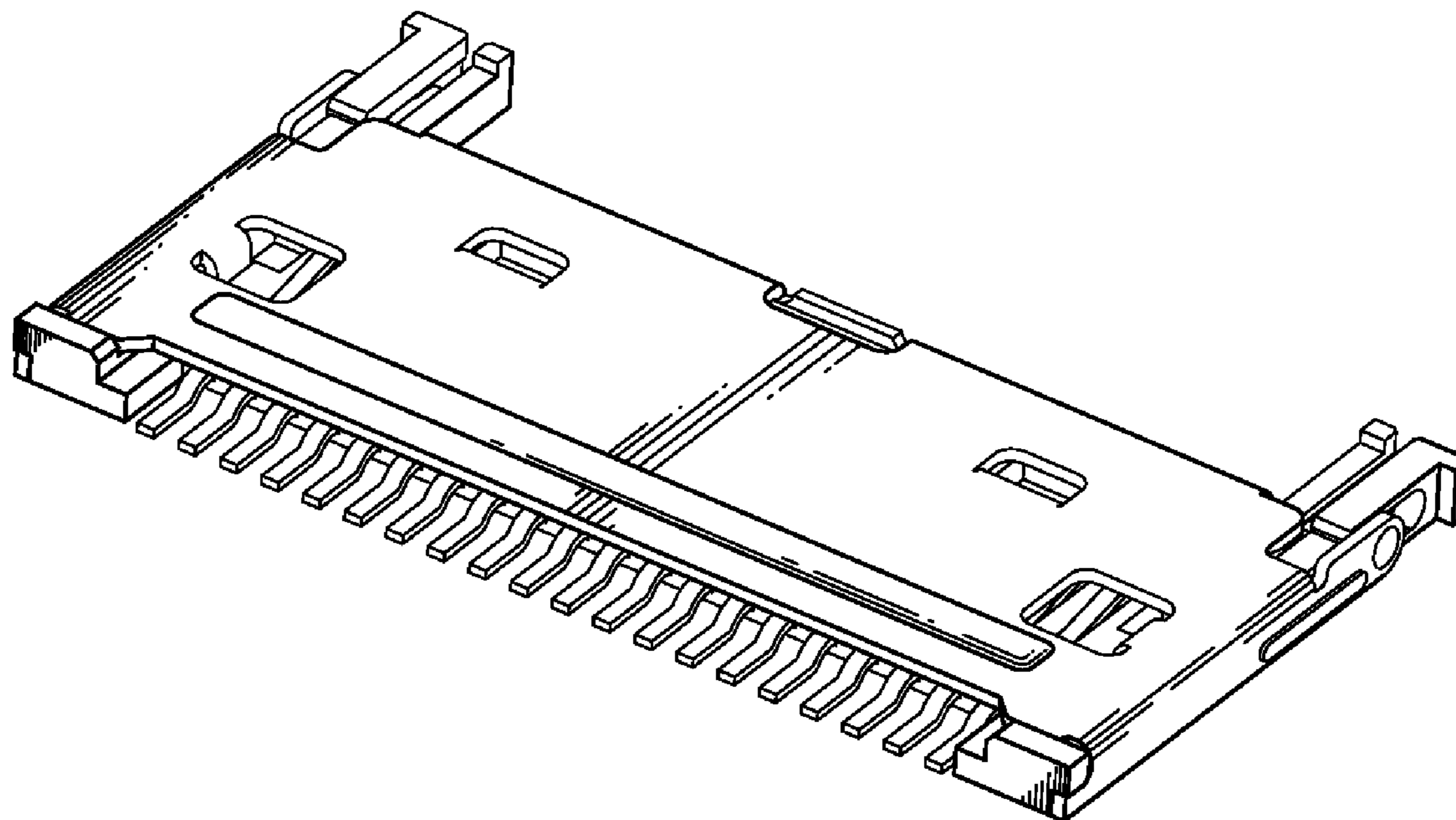
FIG. 8 is a perspective view showing the FPC connector in an opening state.

(56) **References Cited**

U.S. PATENT DOCUMENTS

D520,453 S * 5/2006 Yoneyama et al. D13/147
D520,957 S * 5/2006 Chang et al. D13/147
D531,582 S * 11/2006 Suzuki et al. D13/147
D534,127 S * 12/2006 Suzuki et al. D13/147

1 Claim, 8 Drawing Sheets



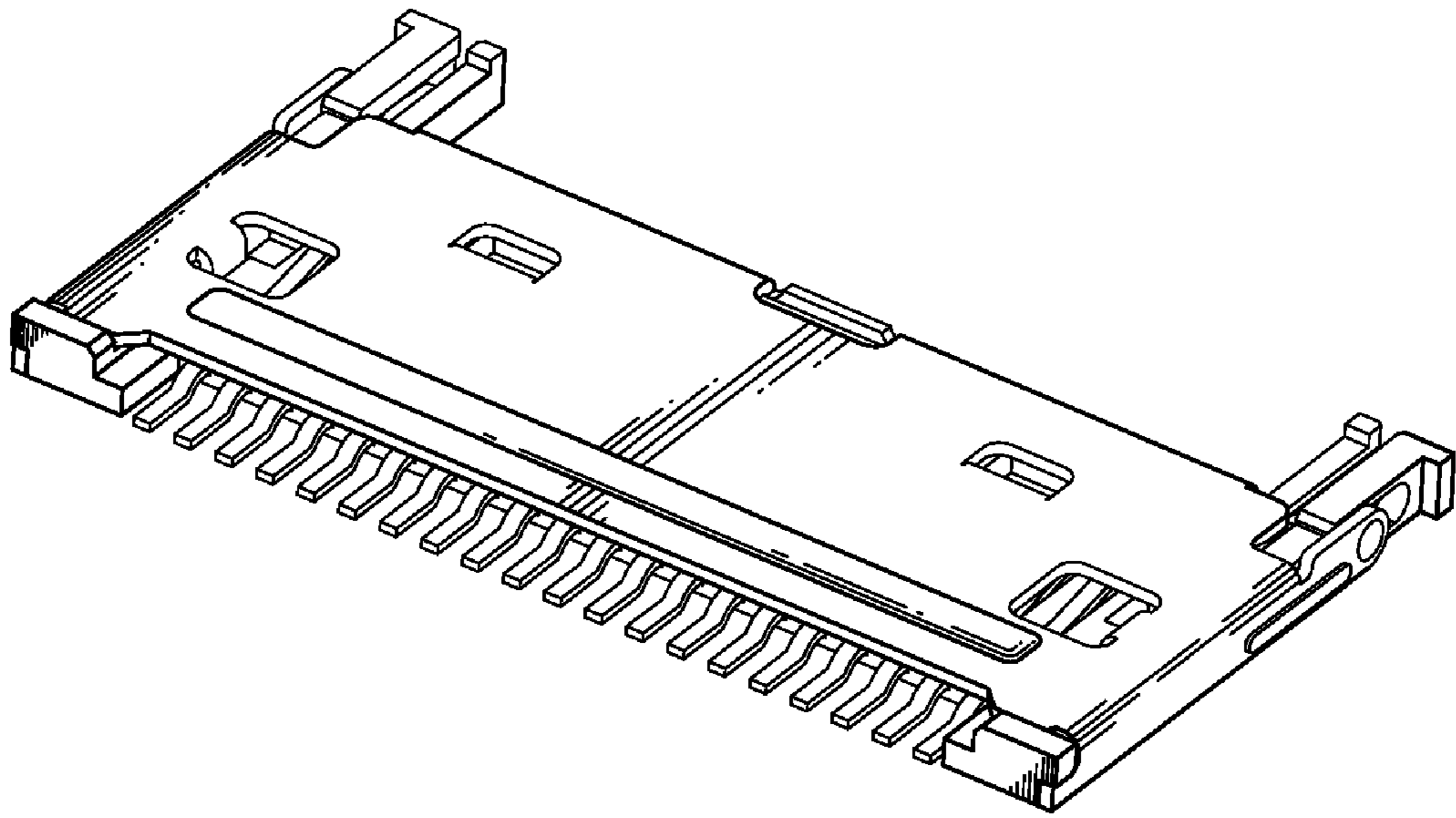


FIG. 1

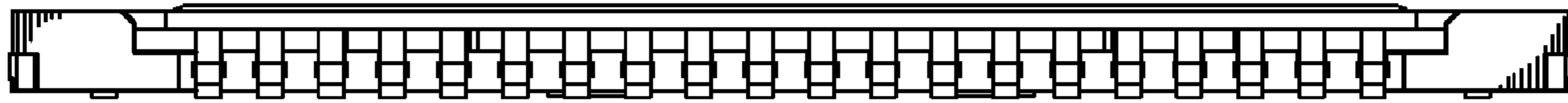


FIG. 2

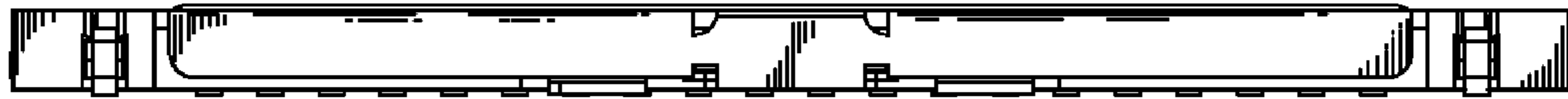


FIG. 3

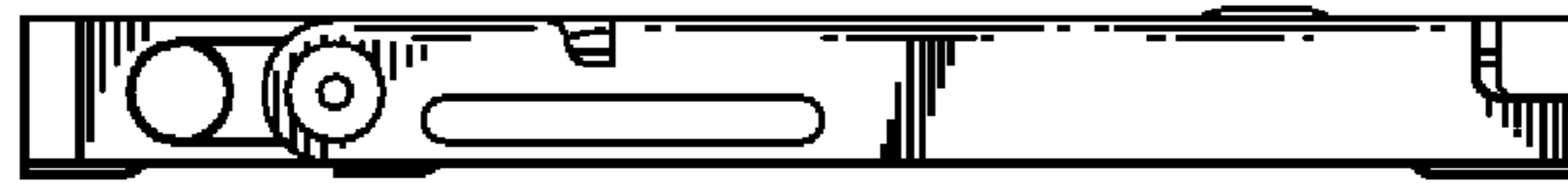


FIG. 4



FIG. 5

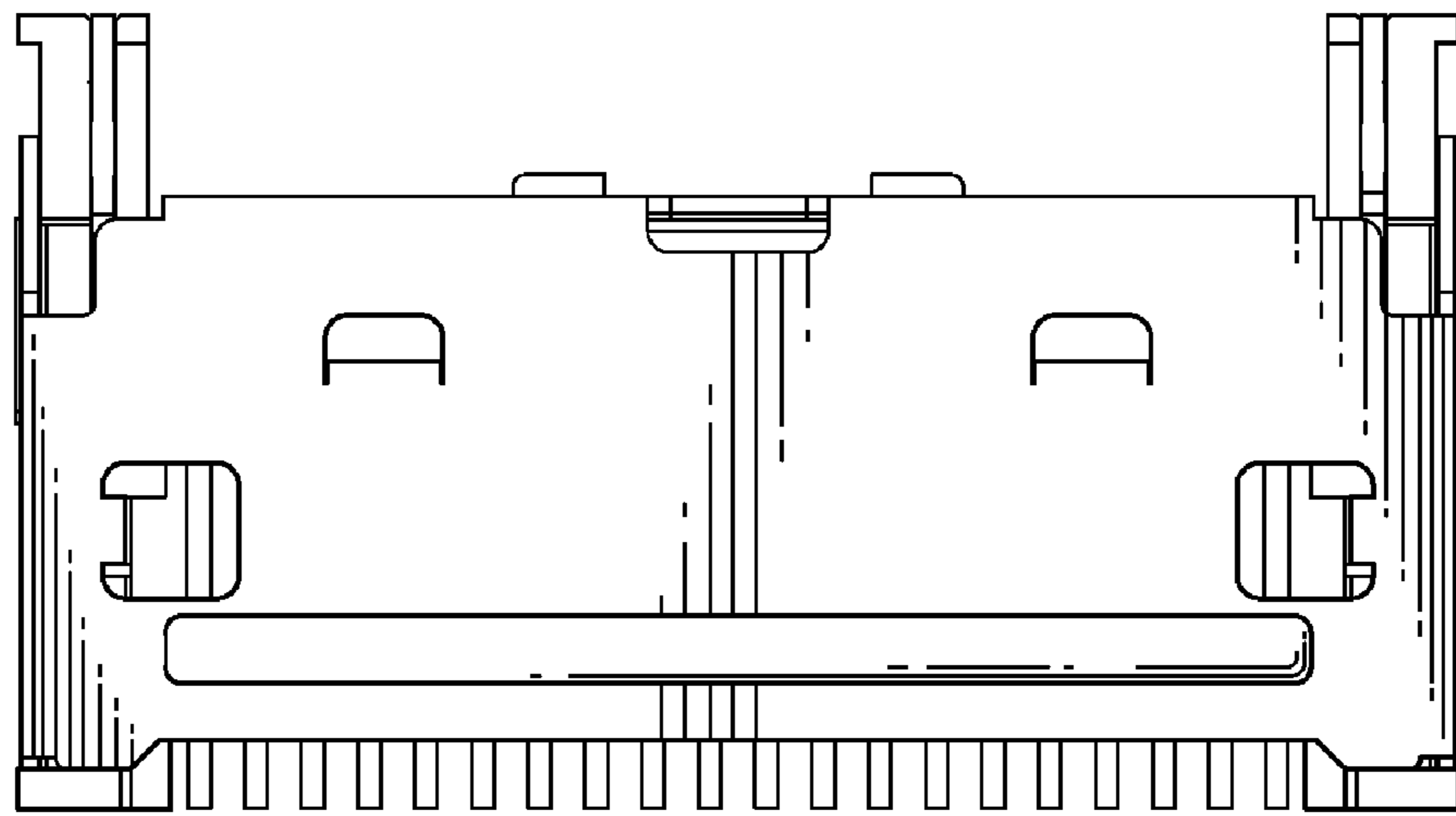


FIG. 6

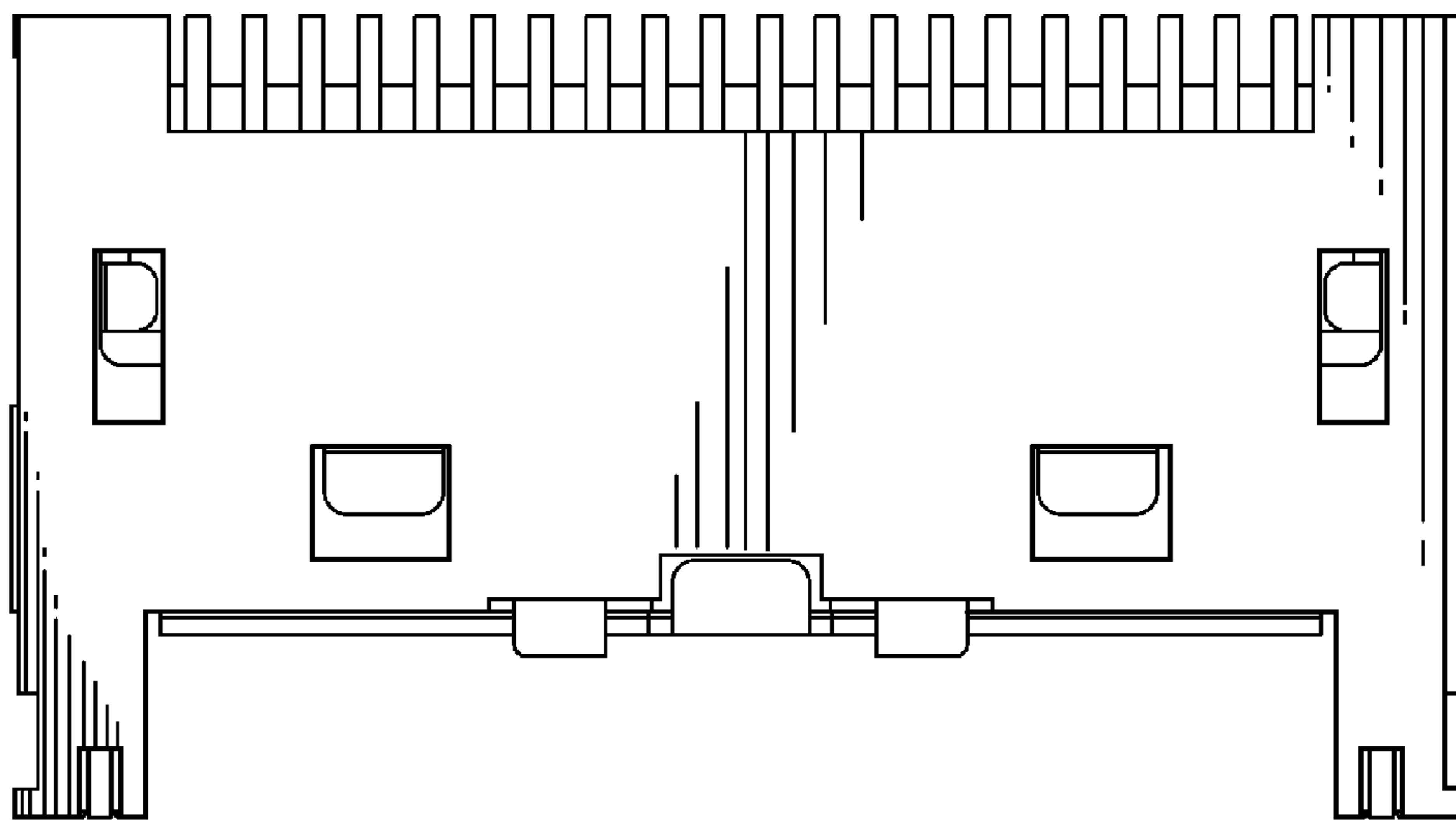


FIG. 7

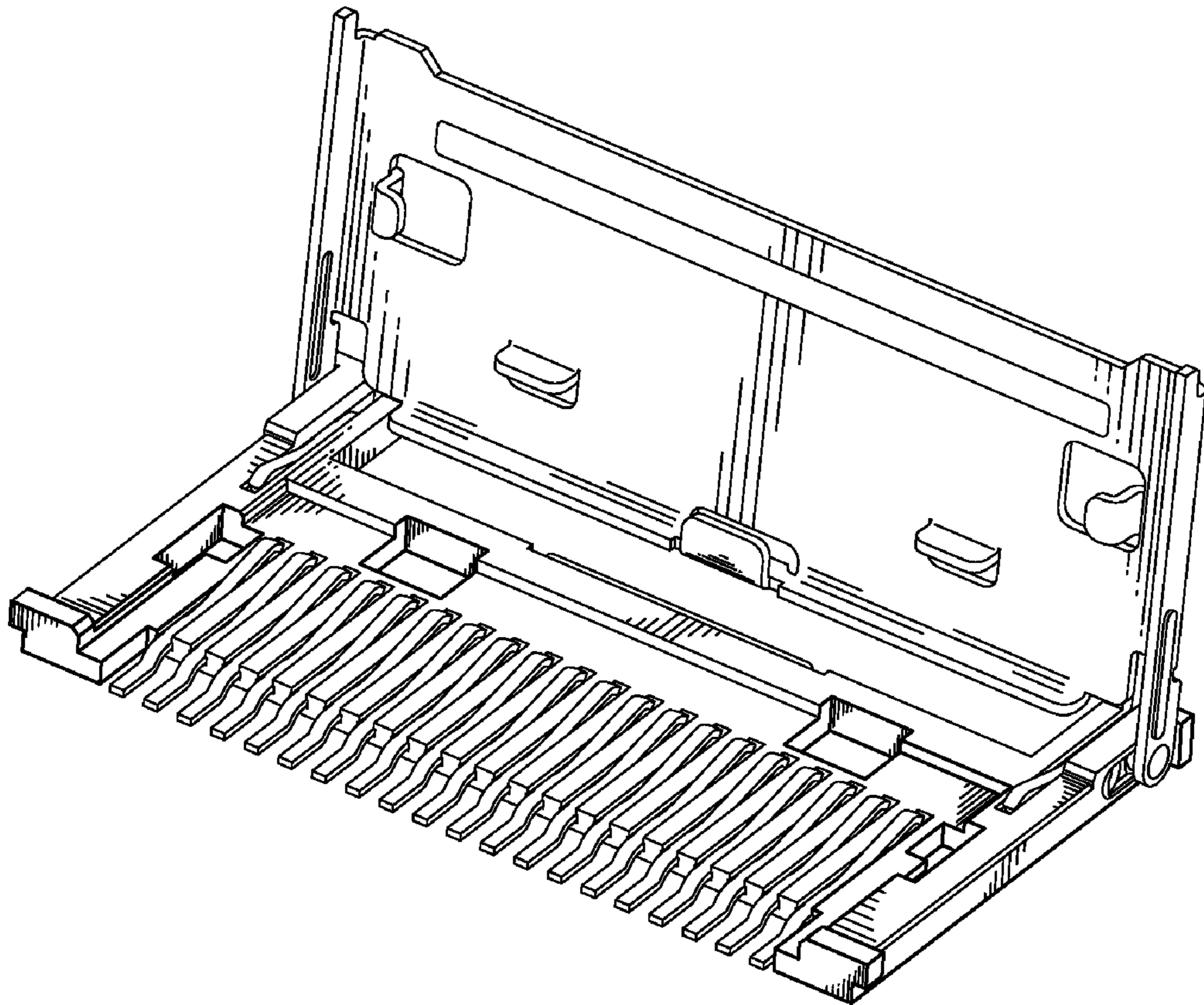


FIG. 8