



US00D598390S

(12) **United States Design Patent**
Sun et al.

(10) **Patent No.:** **US D598,390 S**

(45) **Date of Patent:** **** Aug. 18, 2009**

(54) **RECEPTACLE CONNECTOR**

(75) Inventors: **Dao-Rui Sun**, Taipei Hsien (TW); **Feng Zhu**, Taipei Hsien (TW); **Kuo-Chin Lin**, Taipei Hsien (TW)

(73) Assignee: **Cheng Uei Precision Industry Co., Ltd.**, Taipei Hsien (TW)

(**) Term: **14 Years**

(21) Appl. No.: **29/328,336**

(22) Filed: **Nov. 21, 2008**

(51) **LOC (9) Cl.** **13-03**

(52) **U.S. Cl.** **D13/147**

(58) **Field of Classification Search** D13/147,
D13/154, 184; 439/79, 108, 378, 497, 567,
439/607-610, 668, 680

See application file for complete search history.

(56) **References Cited**

U.S. PATENT DOCUMENTS

D344,492 S *	2/1994	Nakamura	D13/147
D509,192 S *	9/2005	Chen	D13/147
D523,400 S *	6/2006	Shang-Yen et al.	D13/147

* cited by examiner

Primary Examiner—Daniel D Bui

(74) *Attorney, Agent, or Firm*—WPAT, P.C.; Anthony King

(57) **CLAIM**

The ornamental design for a receptacle connector, as shown and described.

DESCRIPTION

FIG. 1 is a perspective view of a receptacle connector showing our new design;

FIG. 2 is a front elevational view thereof;

FIG. 3 is a rear elevational view thereof;

FIG. 4 is a left side elevational view thereof;

FIG. 5 is a right side elevational view thereof;

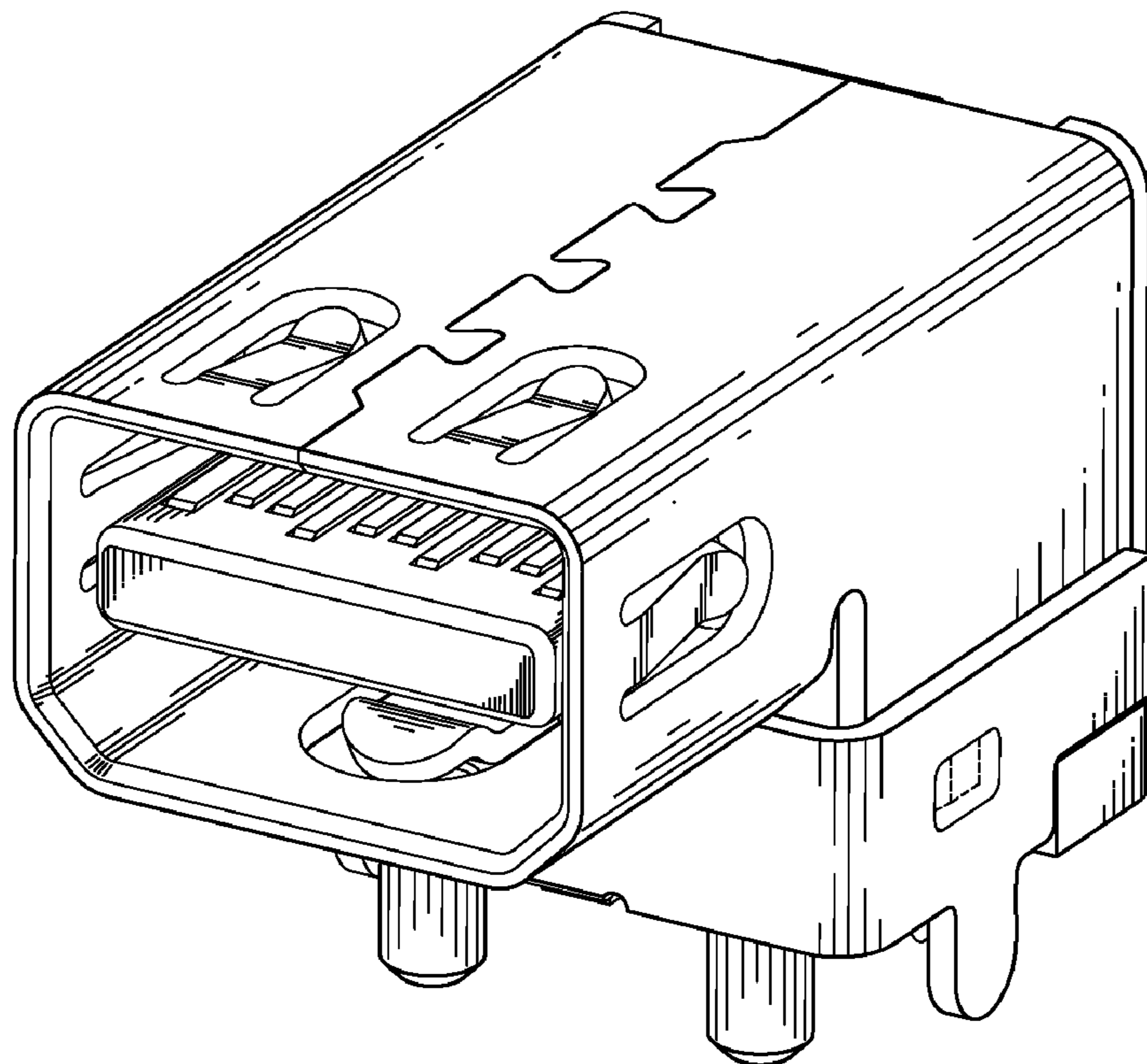
FIG. 6 is a top plan view thereof; and

FIG. 7 is a bottom plan view thereof; and,

FIG. 8 is another perspective view of the receptacle connector showing our new design.

The broken line portion of the figure drawings is included to show unclaimed subject matter and forms no part of the claimed design.

1 Claim, 8 Drawing Sheets



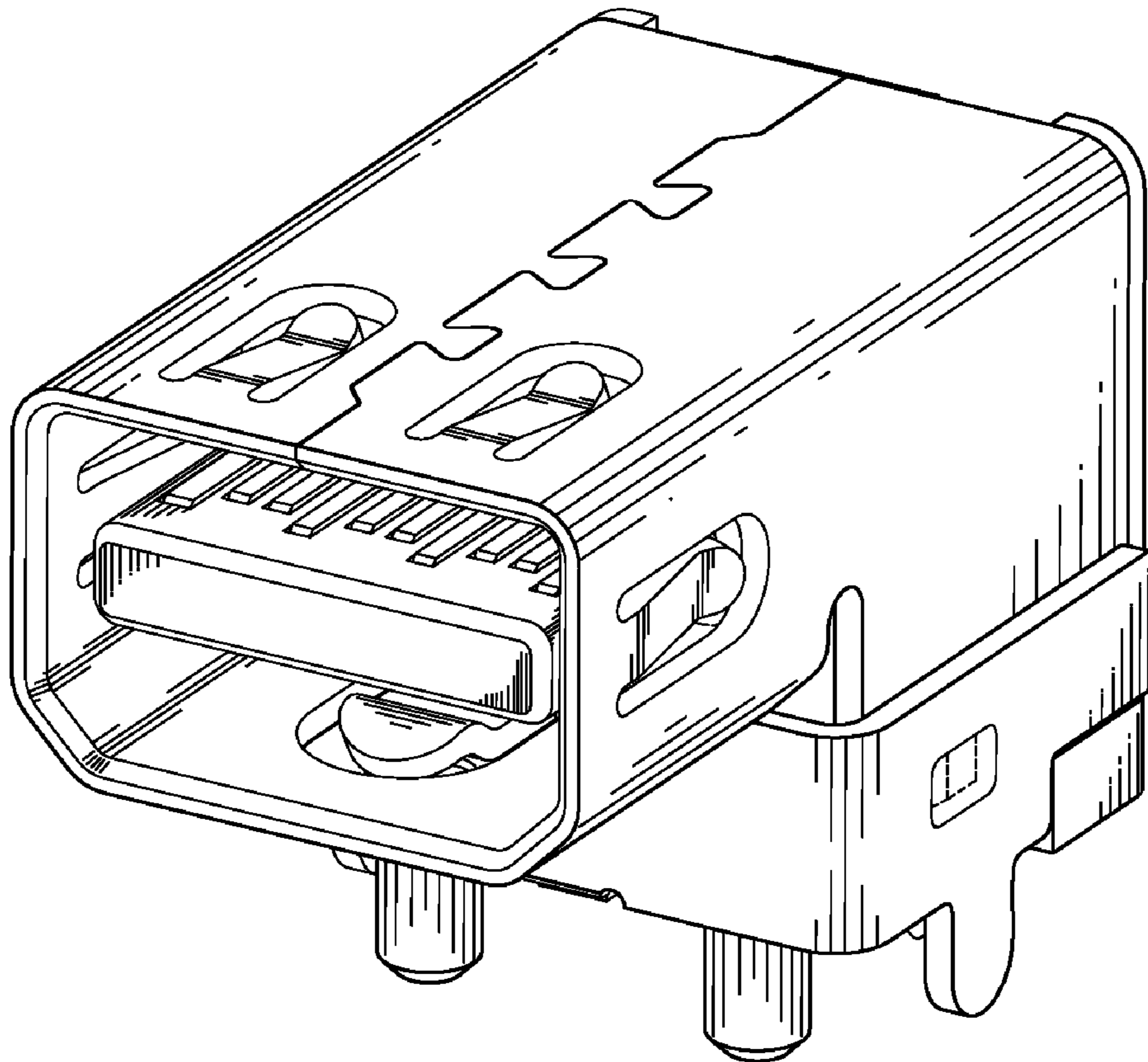


FIG. 1

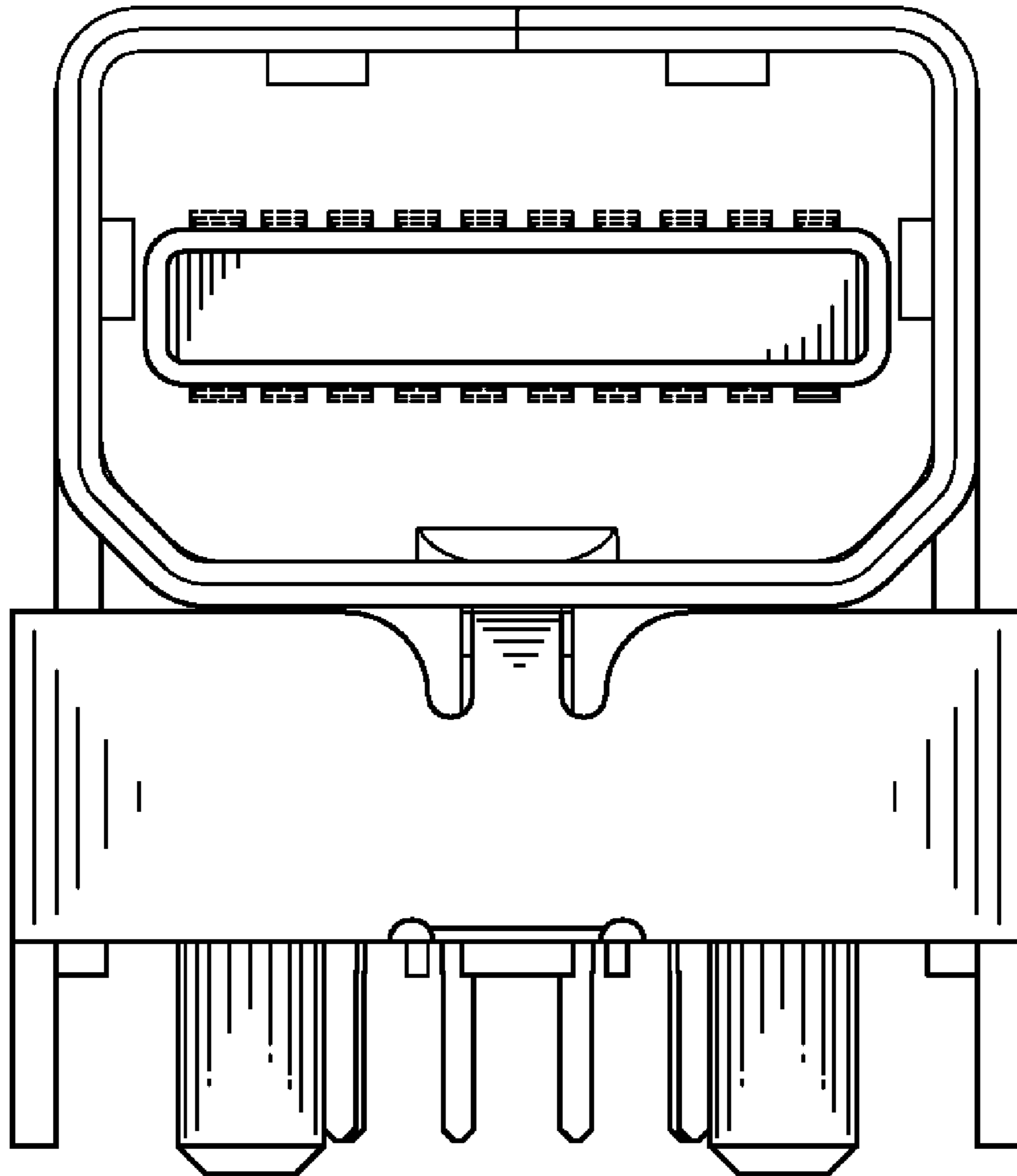


FIG. 2

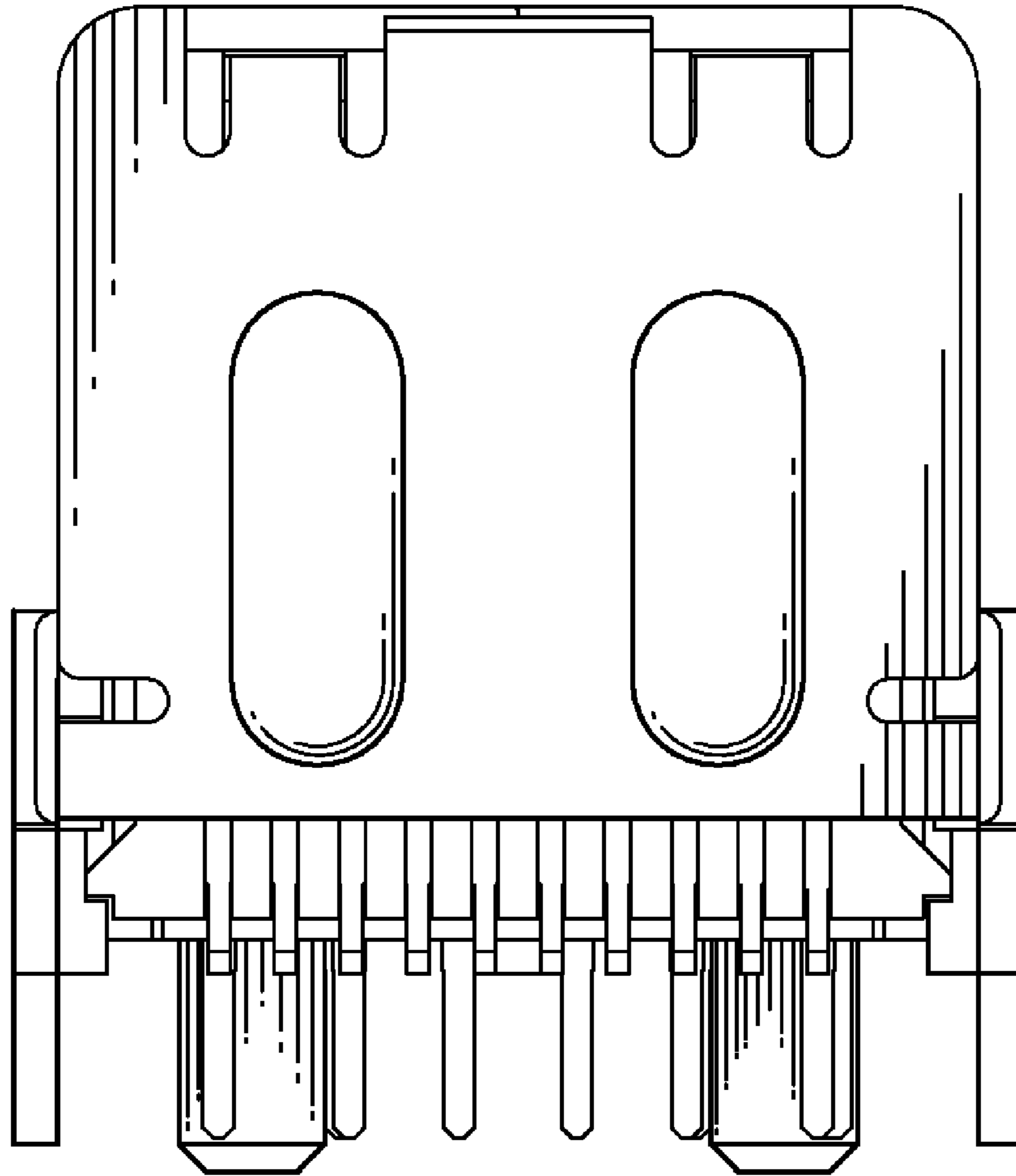


FIG. 3

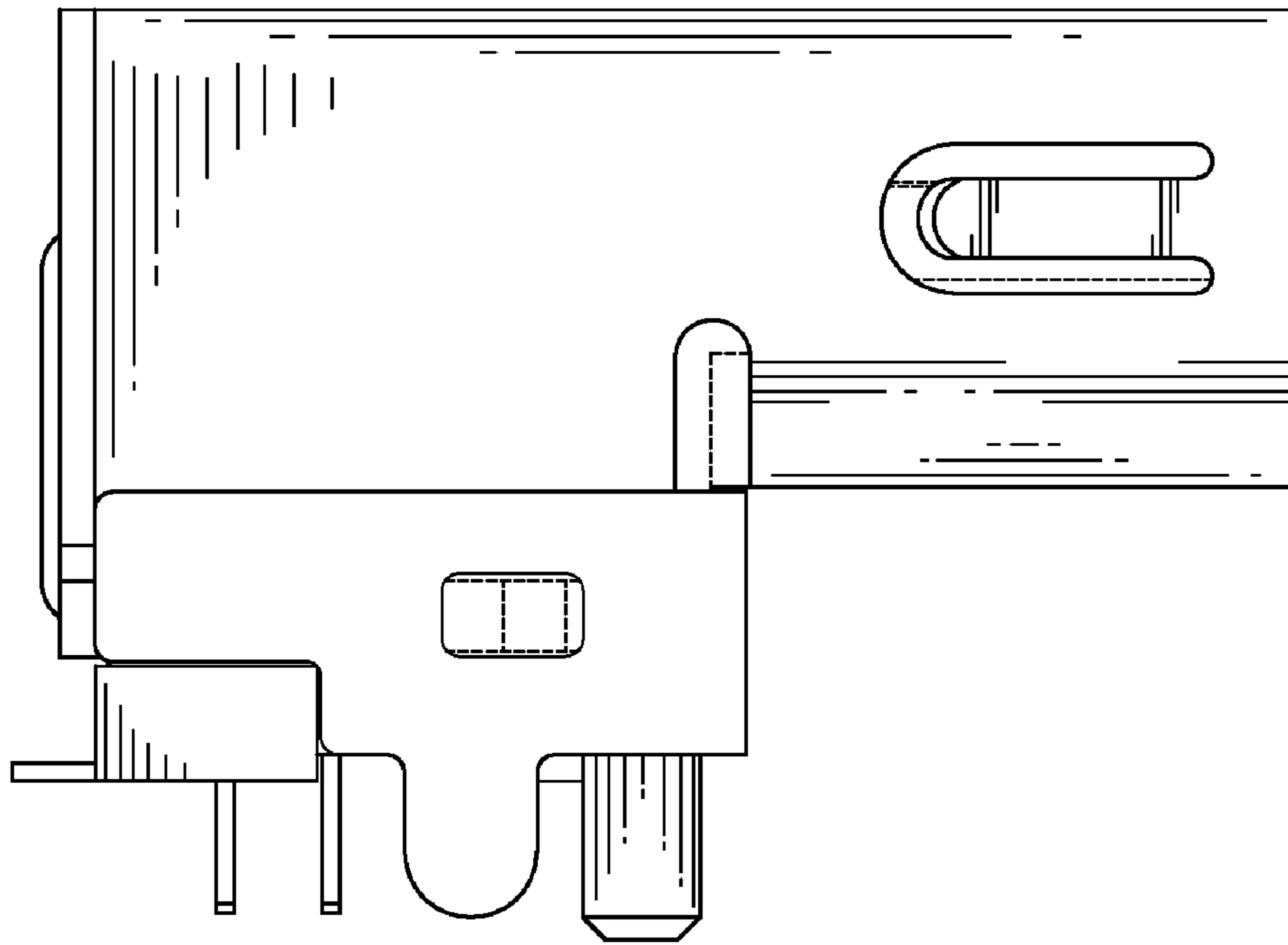


FIG. 4

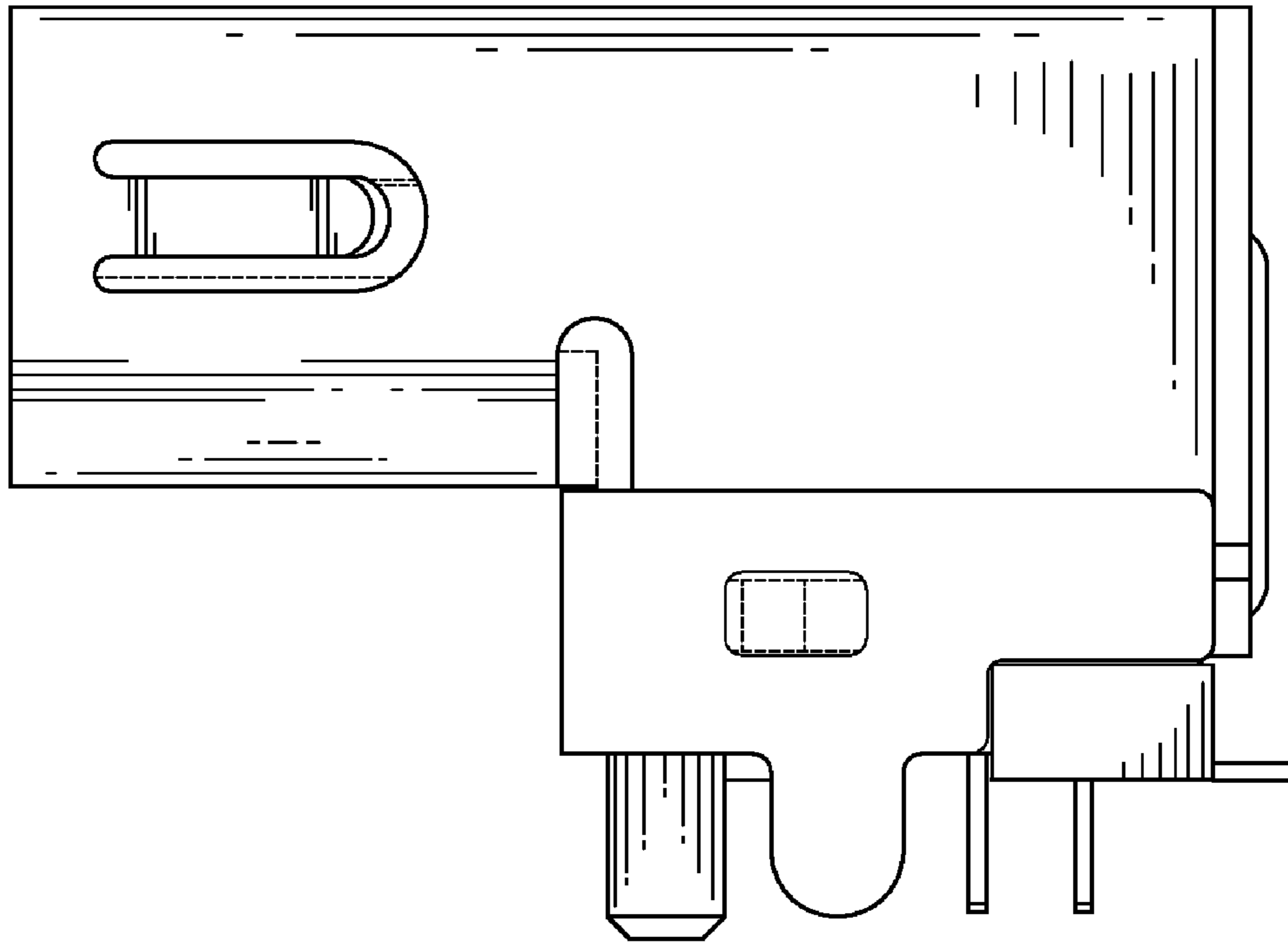


FIG. 5

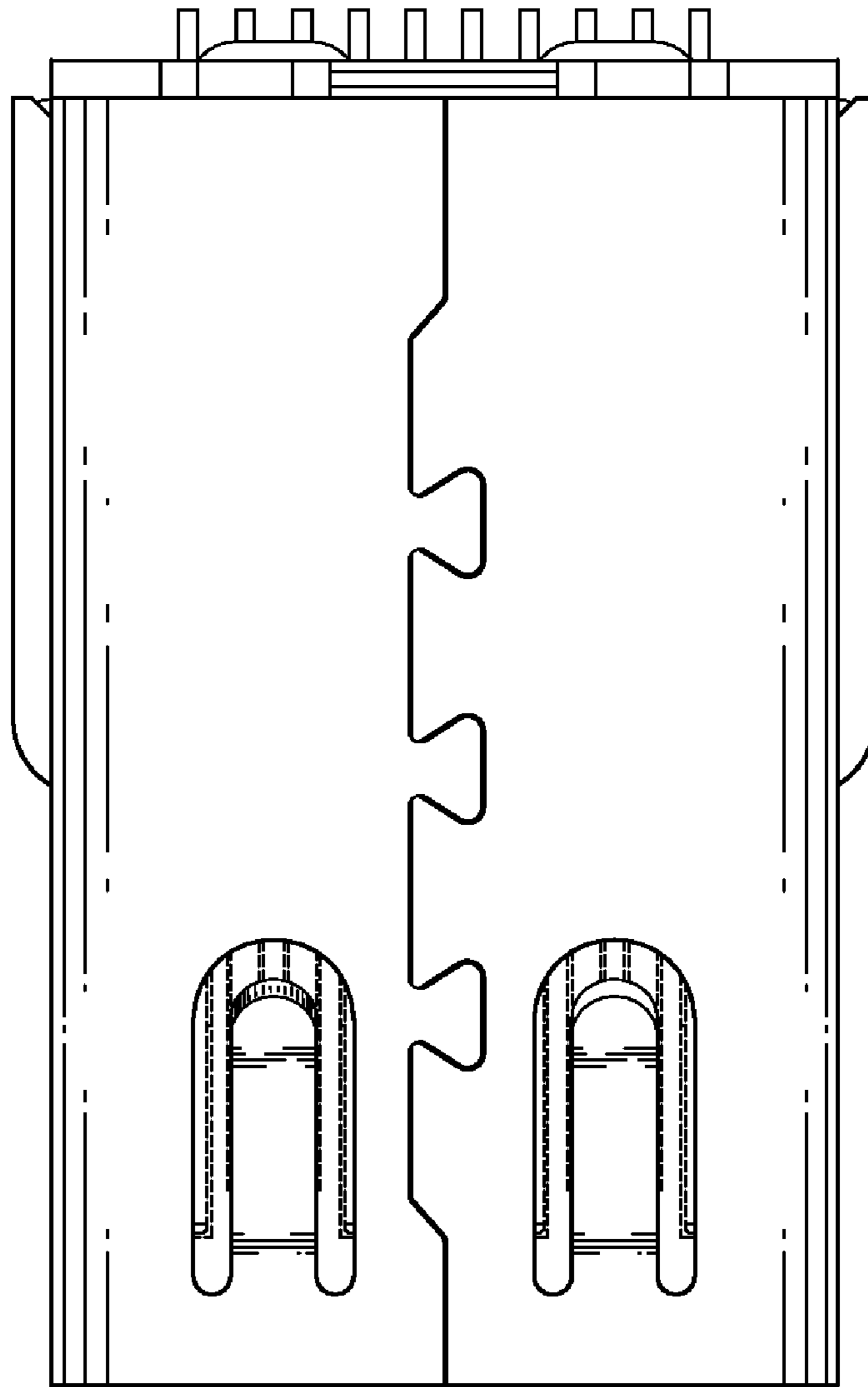


FIG. 6

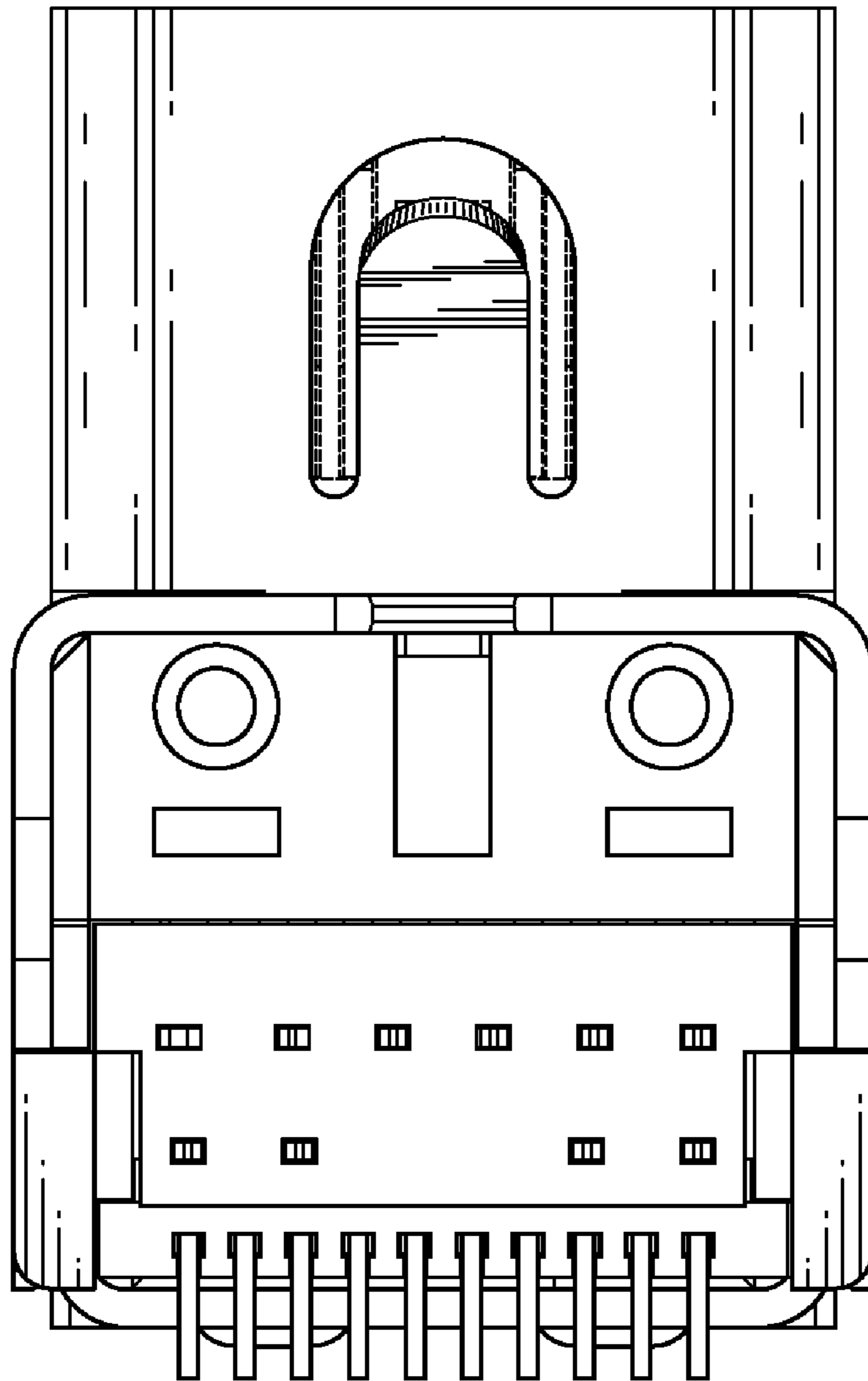


FIG. 7

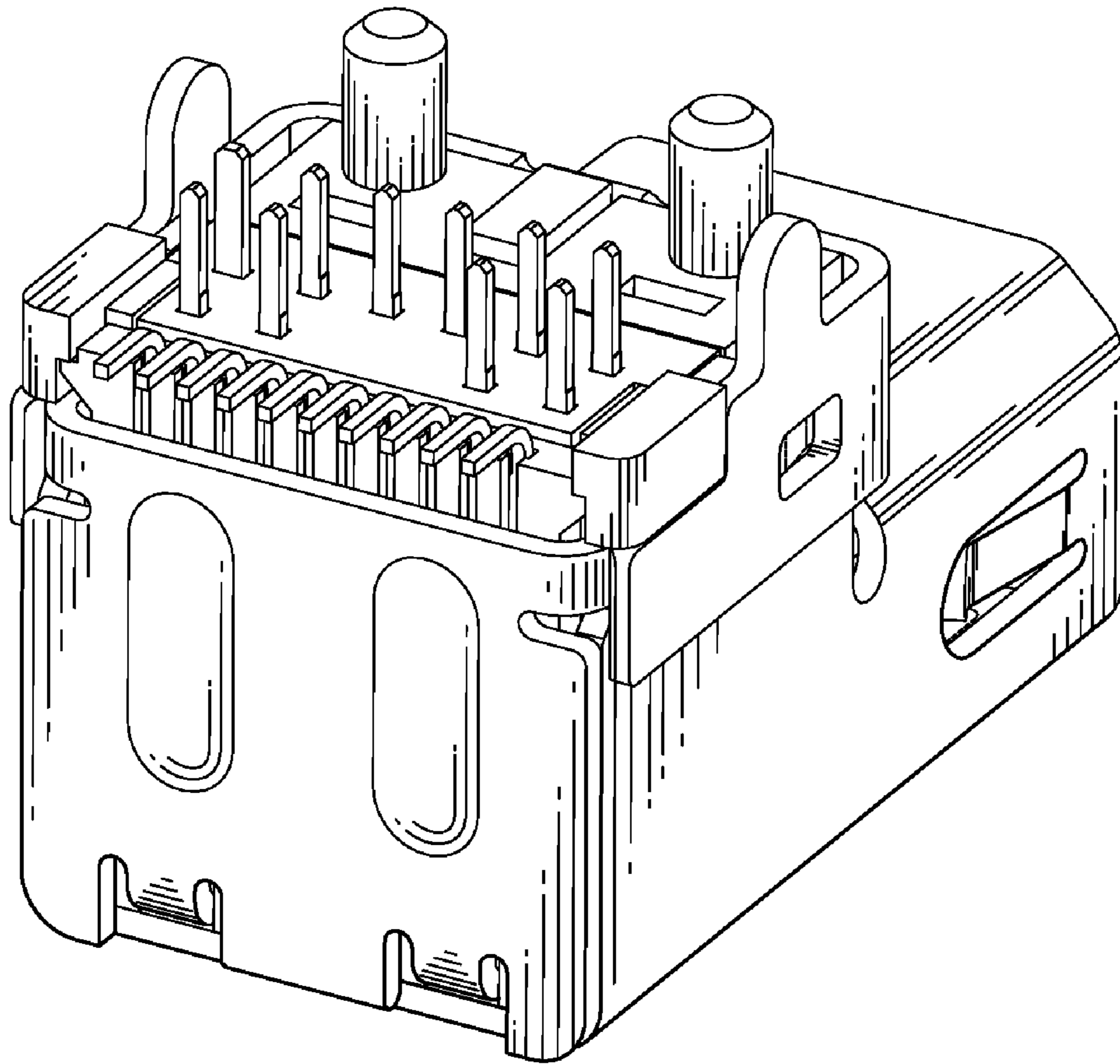


FIG. 8