



US00D598389S

(12) **United States Design Patent**
Yu et al.

(10) **Patent No.:** **US D598,389 S**
(45) **Date of Patent:** **** Aug. 18, 2009**

(54) **RECEPTACLE CONNECTOR**

D530,679 S * 10/2006 Li et al. D13/149

(75) Inventors: **Sheng Nan Yu**, Tu-Cheng (TW); **Chung Yu Chen**, Tu-Cheng (TW)

* cited by examiner

Primary Examiner—Daniel D Bui
(74) *Attorney, Agent, or Firm*—Rosenberg, Klein & Lee

(73) Assignee: **Cheng Uei Precision Industry Co., Ltd.**, Taipei Hsien (TW)

(57) **CLAIM**

The ornamental design for a receptacle connector, as shown and described.

(**) Term: **14 Years**

(21) Appl. No.: **29/309,546**

DESCRIPTION

(22) Filed: **Sep. 2, 2008**

FIG. 1 is a perspective view of a receptacle connector showing our new design;

(51) **LOC (9) Cl.** **13-03**

FIG. 2 is a front elevational view thereof;

(52) **U.S. Cl.** **D13/147**

FIG. 3 is a rear elevational view thereof;

(58) **Field of Classification Search** D13/147,
D13/154, 184; 439/594–595, 607–610, 709,
439/712–713, 715, 721–724, 732, 848
See application file for complete search history.

FIG. 4 is a left side elevational view thereof;

FIG. 5 is a right side elevational view thereof;

FIG. 6 is a top plan view thereof; and,

FIG. 7 is a bottom plan view thereof.

(56) **References Cited**

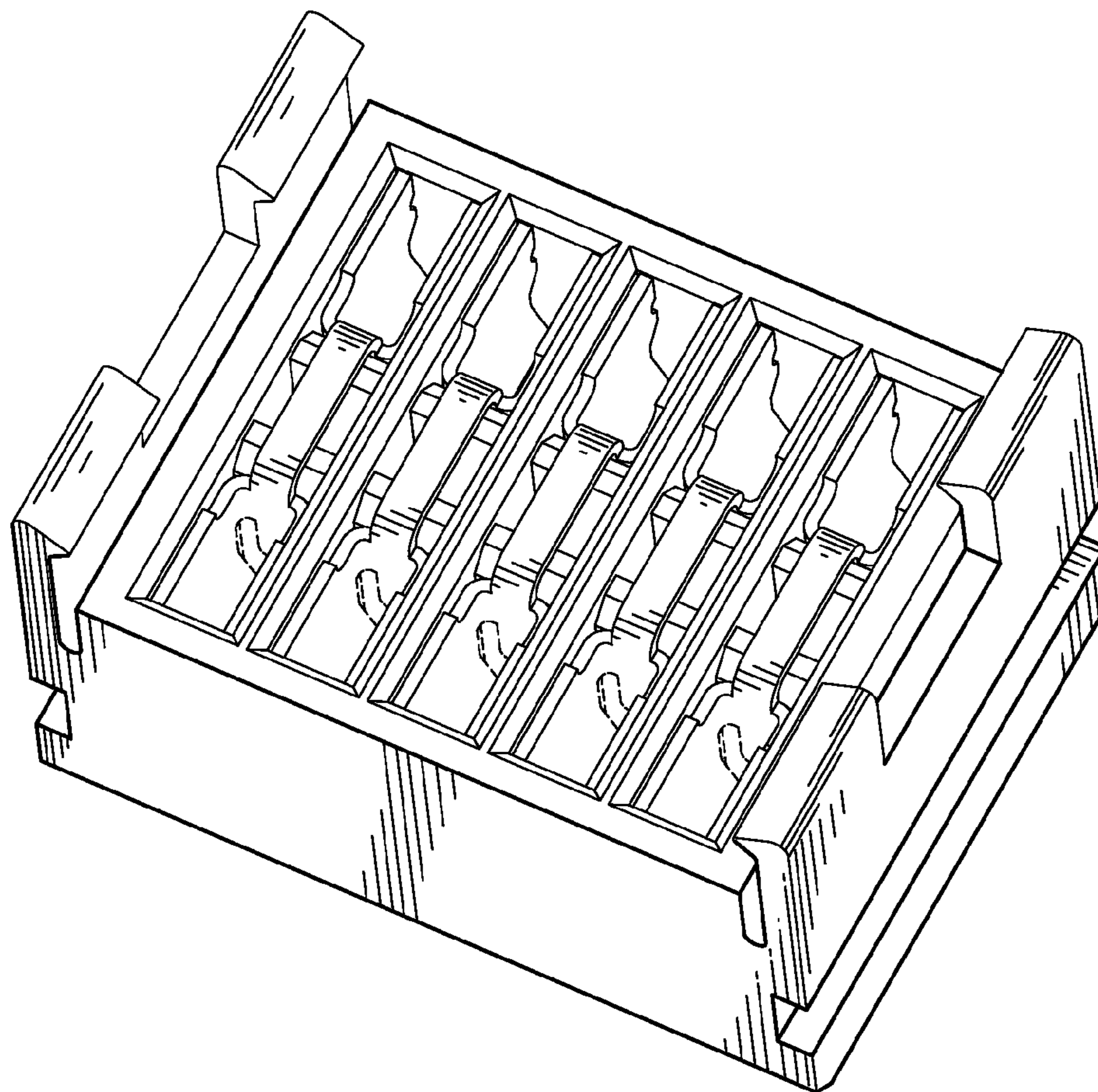
The broken line portion of the figure drawings is included to show unclaimed subject matter only and forms no part of the claimed design.

U.S. PATENT DOCUMENTS

5,380,220 A * 1/1995 Okabe 439/456

D418,111 S * 12/1999 Kamagai D13/147

1 Claim, 7 Drawing Sheets



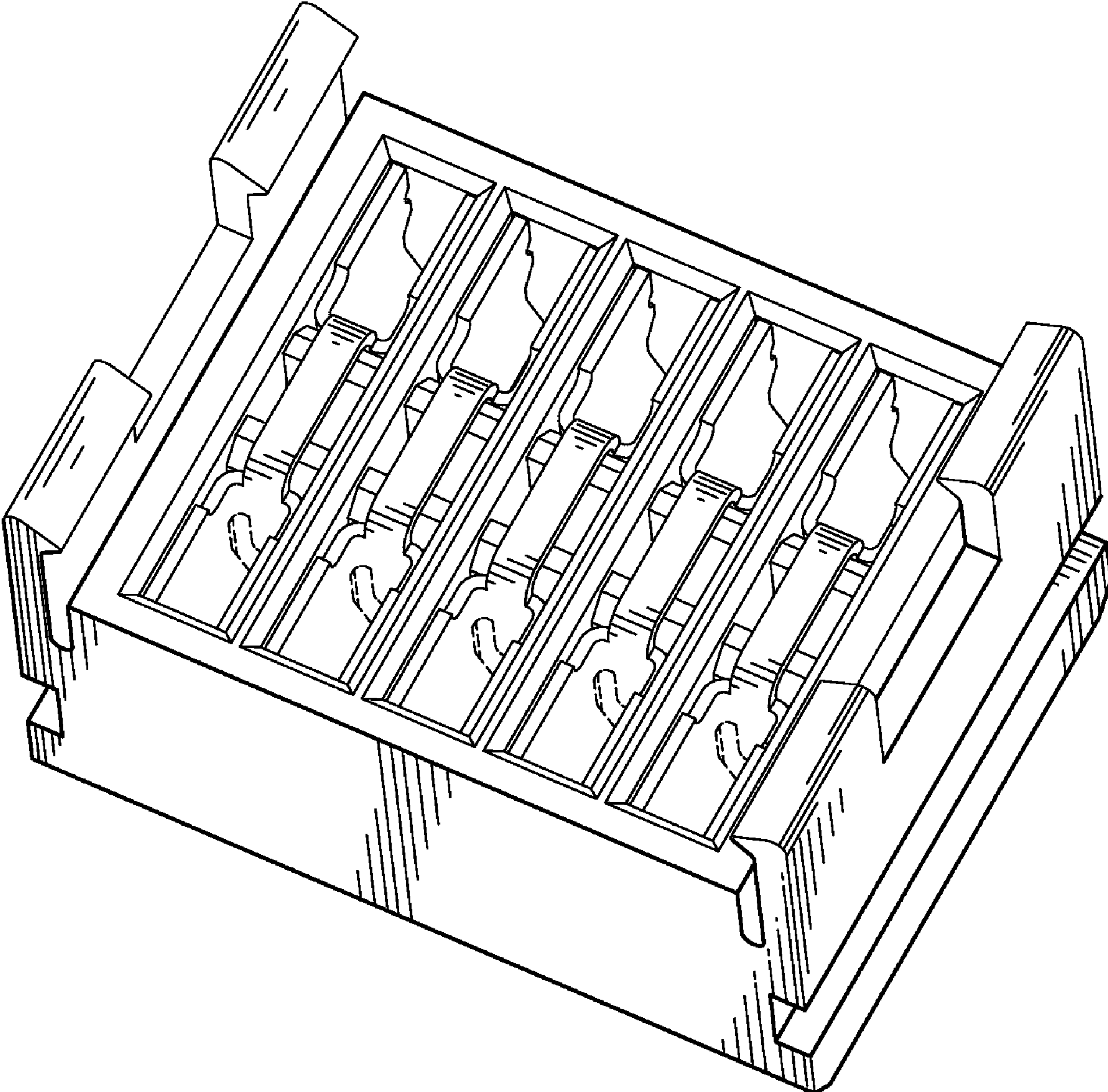


FIG. 1

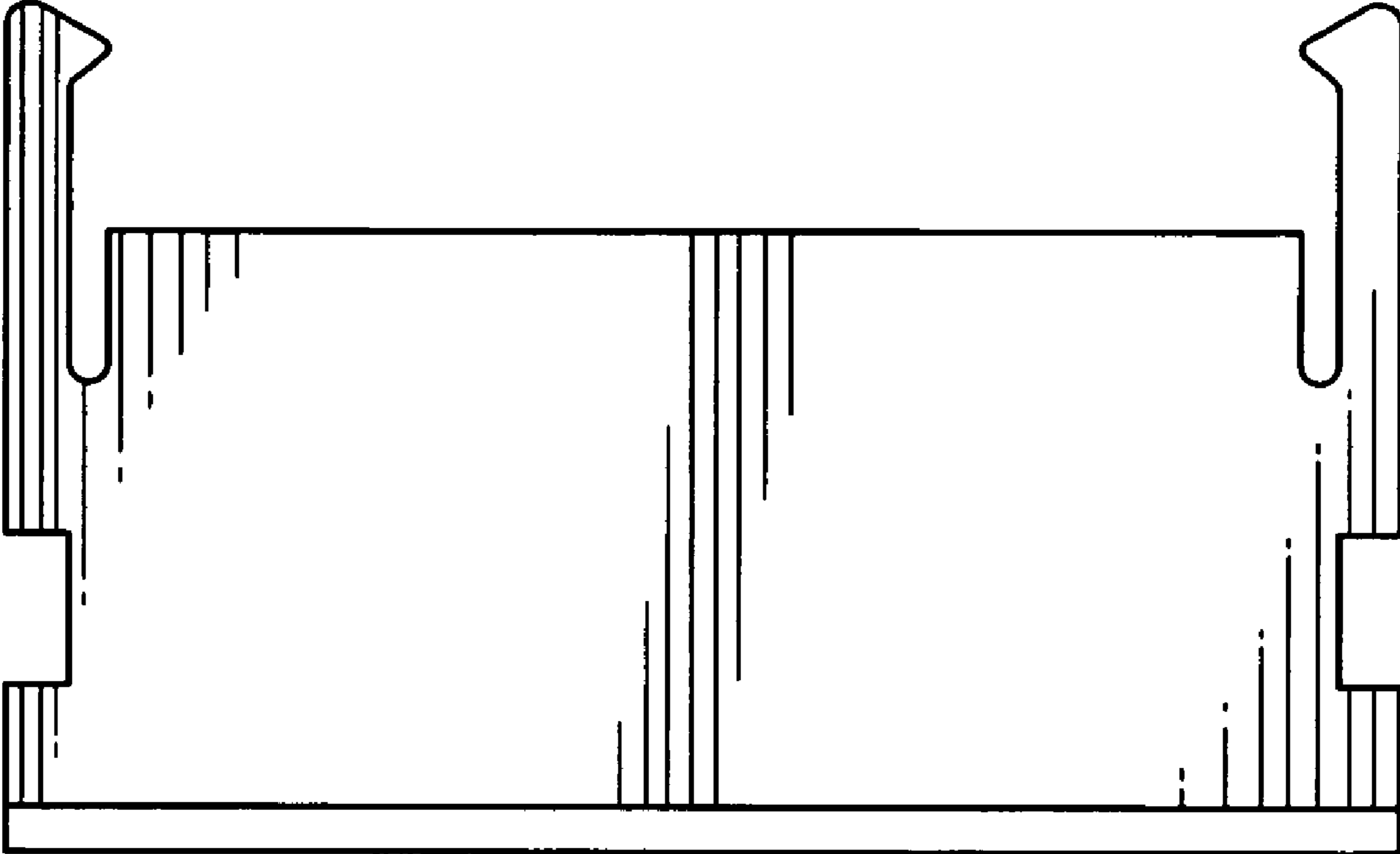


FIG. 2

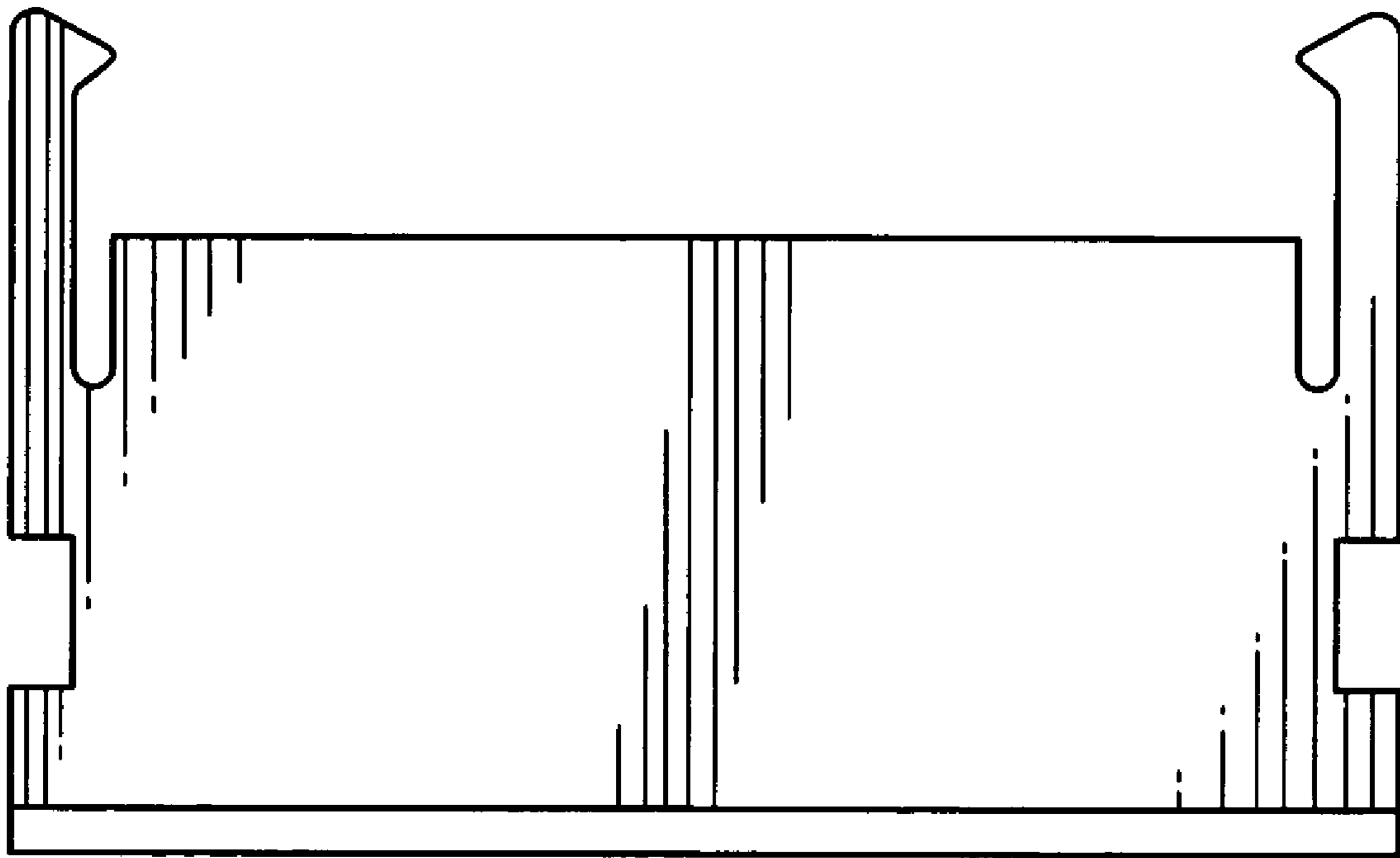


FIG. 3

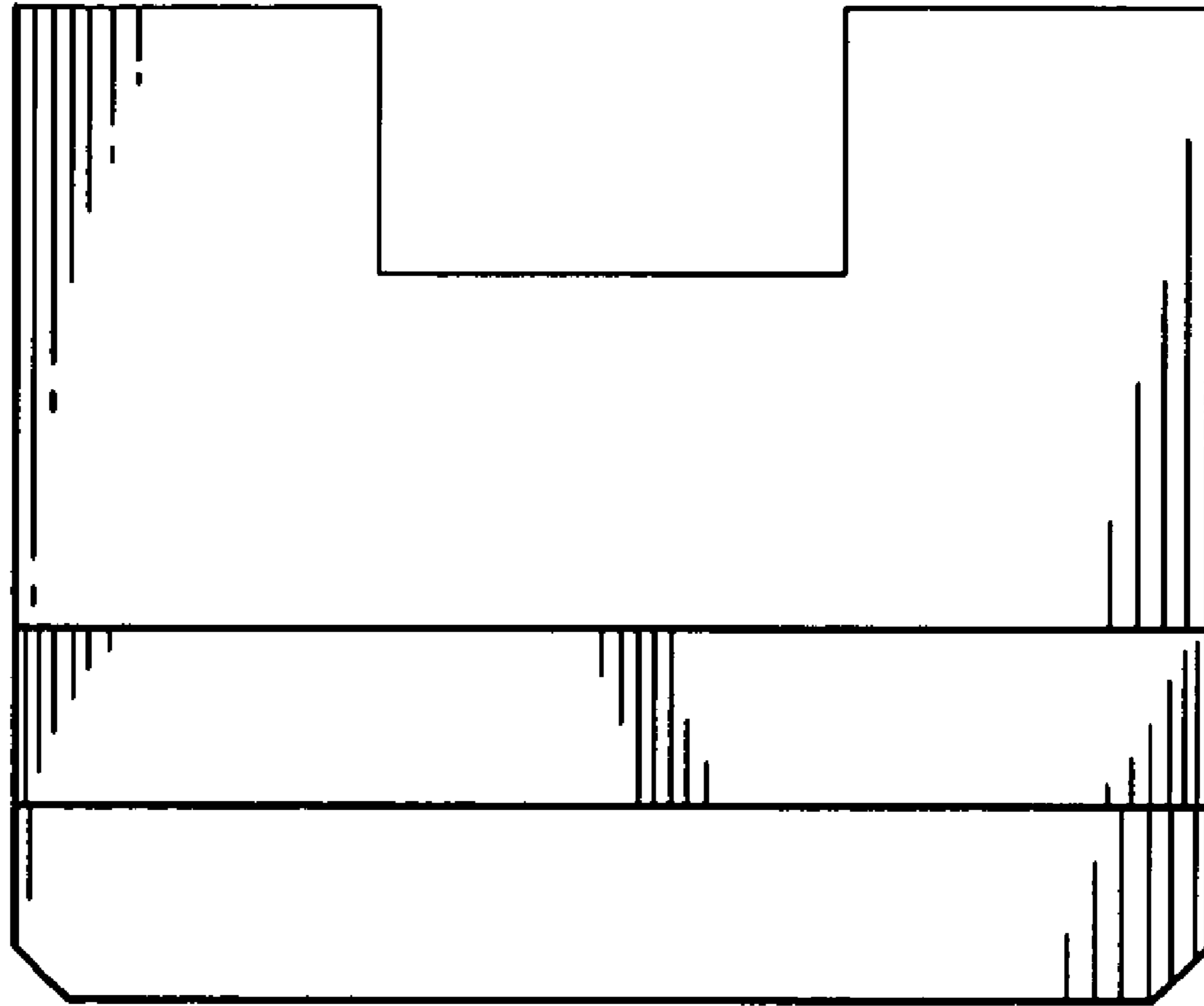


FIG. 4

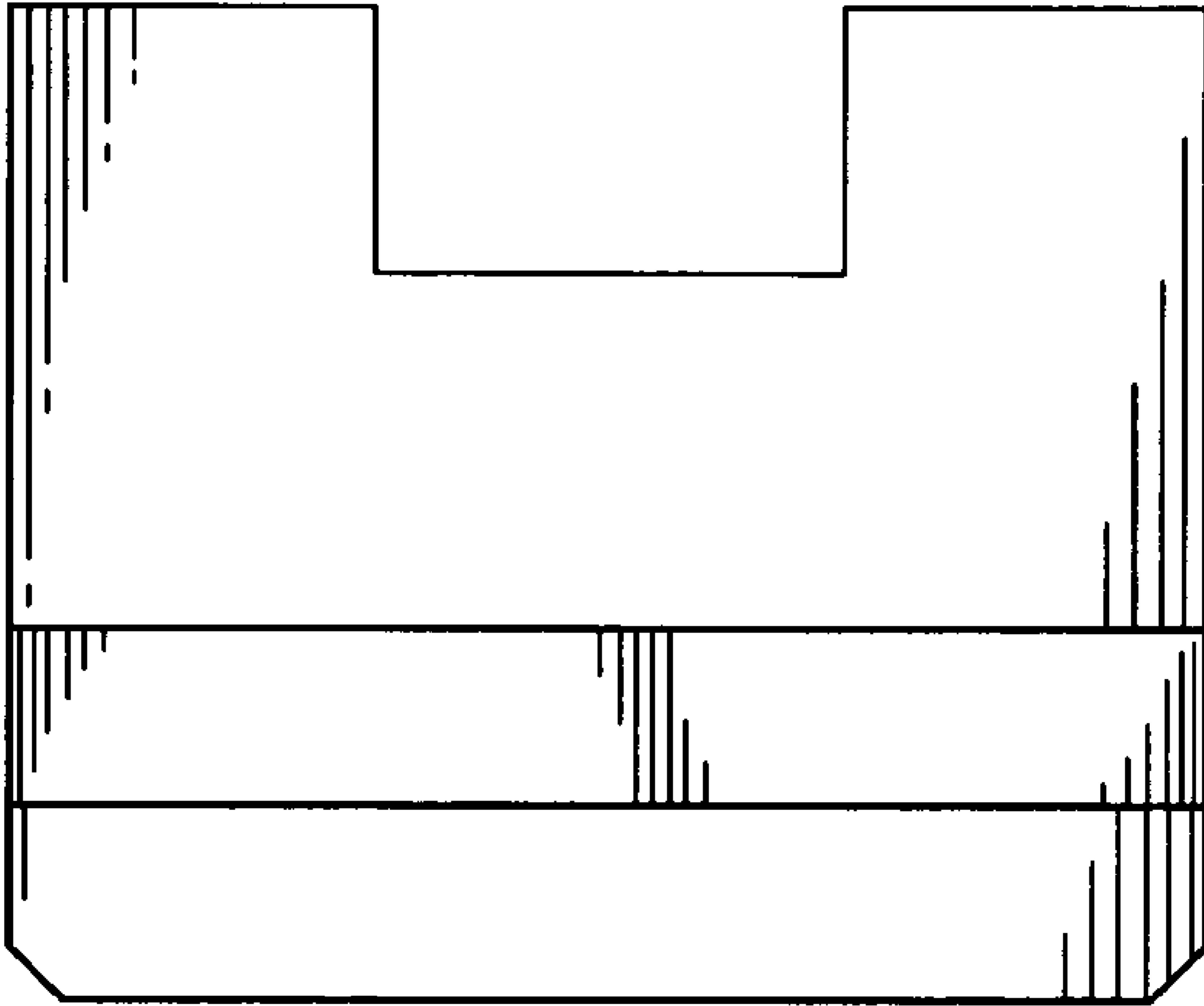


FIG. 5

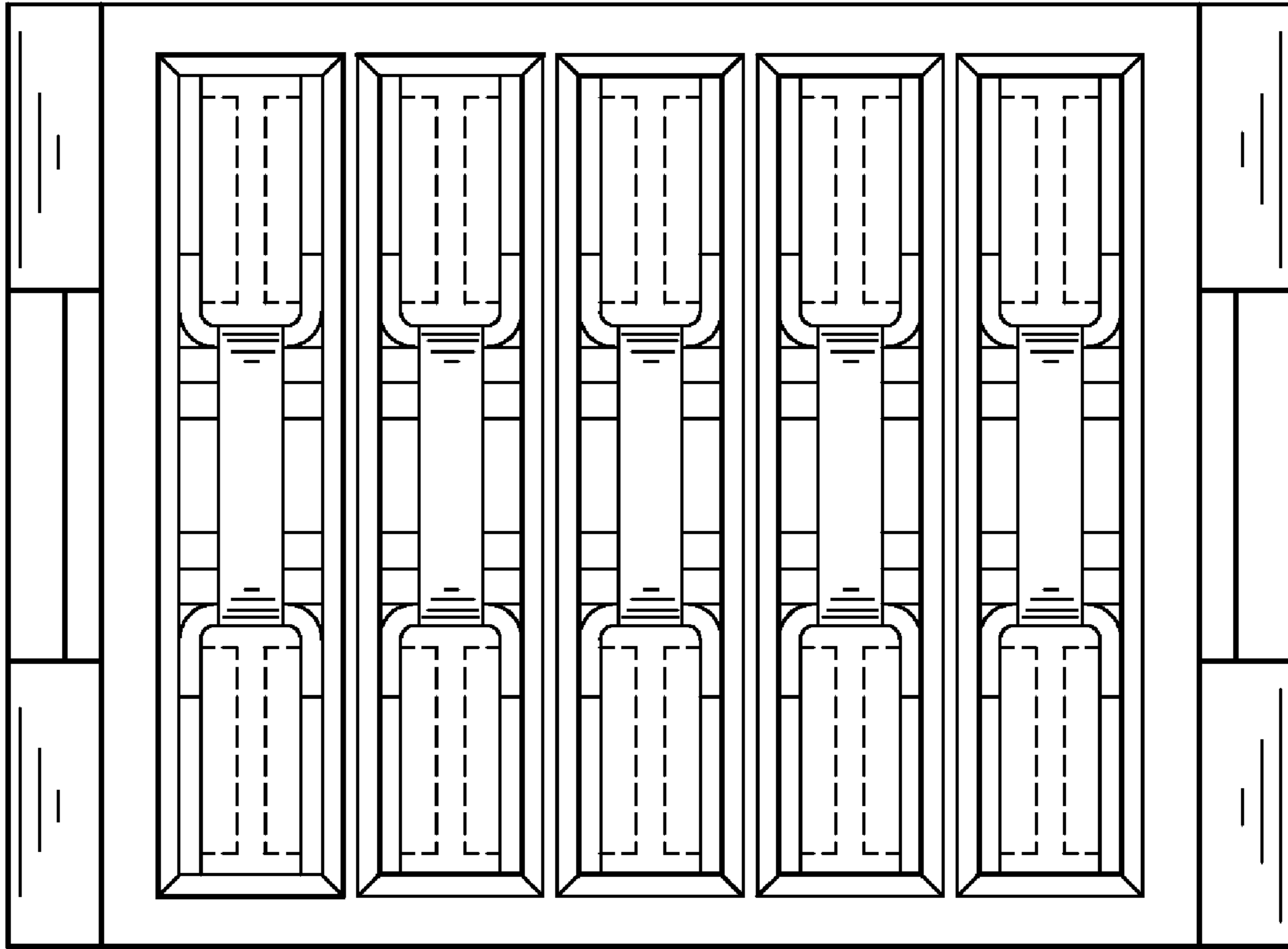


FIG. 6

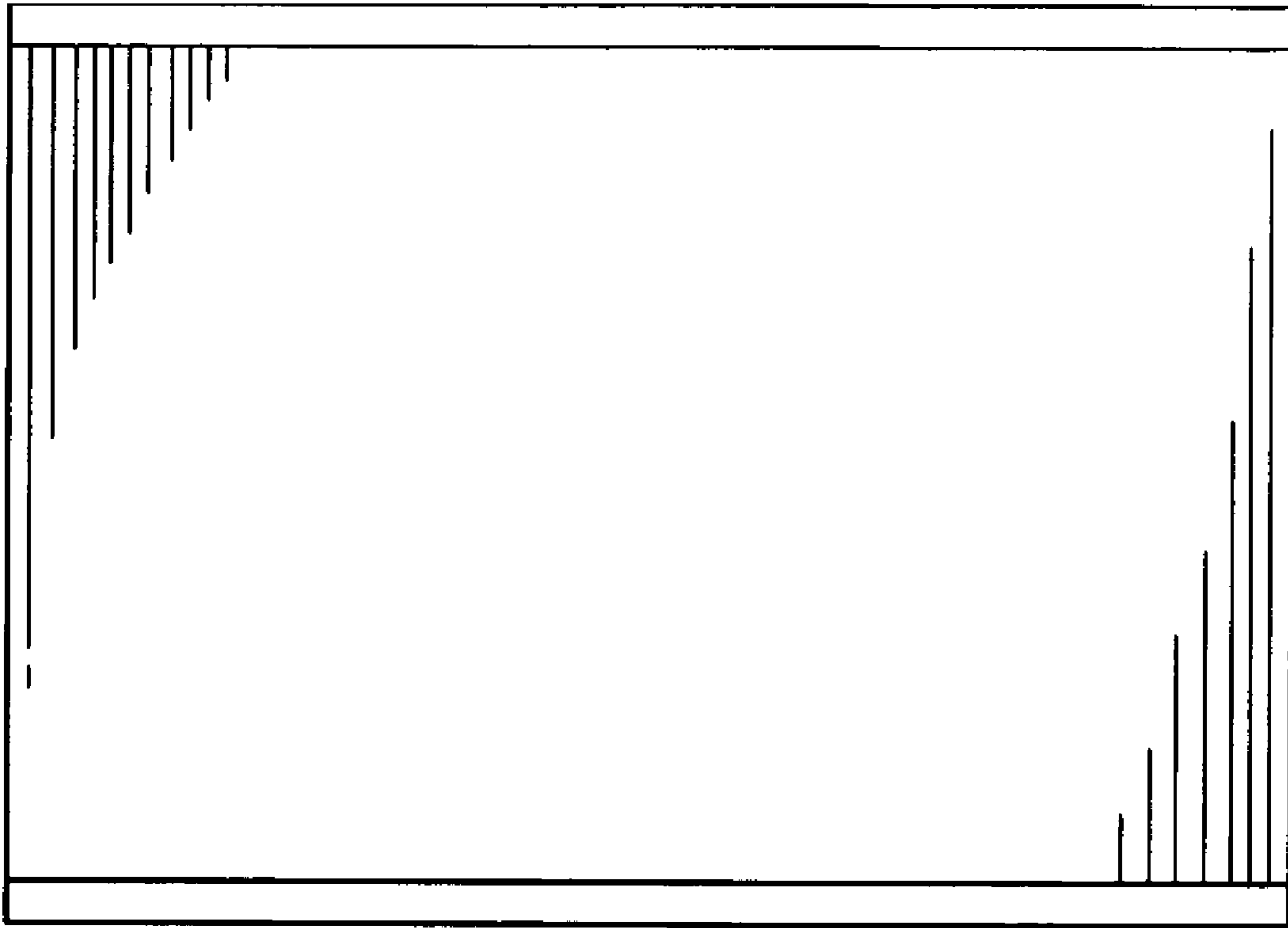


FIG. 7