

US00D598388S

(12) **United States Design Patent**
Peng

(10) **Patent No.:** **US D598,388 S**

(45) **Date of Patent:** **** Aug. 18, 2009**

(54) **RECEPTACLE CONNECTOR**

(75) Inventor: **Yung Chi Peng**, Tu-Cheng (TW)

(73) Assignee: **Cheng Uei Precision Industry Co., Ltd.**, Taipei Hsien (TW)

(**) Term: **14 Years**

(21) Appl. No.: **29/309,516**

(22) Filed: **Aug. 26, 2008**

(51) **LOC (9) Cl.** **13-03**

(52) **U.S. Cl.** **D13/147**

(58) **Field of Classification Search** D13/133,
D13/146-147, 154, 184; D14/433, 435,
D14/436, 438; 361/684-685; 439/64, 78,
439/79, 159-160, 540.1, 564, 573, 607-610,
439/626, 628-630, 650, 653, 677, 660
See application file for complete search history.

(56) **References Cited**

U.S. PATENT DOCUMENTS

- D491,535 S * 6/2004 Chien D13/154
- D492,256 S * 6/2004 Wu D13/147
- D518,783 S * 4/2006 Takagi et al. D13/147
- D540,264 S * 4/2007 Zhang D13/147
- D544,842 S * 6/2007 Nishio et al. D13/147

D579,416 S * 10/2008 Kasahara D13/147
2004/0192111 A1* 9/2004 Wu 439/607

* cited by examiner

Primary Examiner—Daniel D Bui

(74) *Attorney, Agent, or Firm*—Rosenberg, Klein & Lee

(57) **CLAIM**

The ornamental design for a receptacle connector, as shown and described.

DESCRIPTION

FIG. 1 is a perspective view of a receptacle connector showing my new design;

FIG. 2 is a front elevational view thereof;

FIG. 3 is a rear elevational view thereof;

FIG. 4 is a left side elevational view thereof;

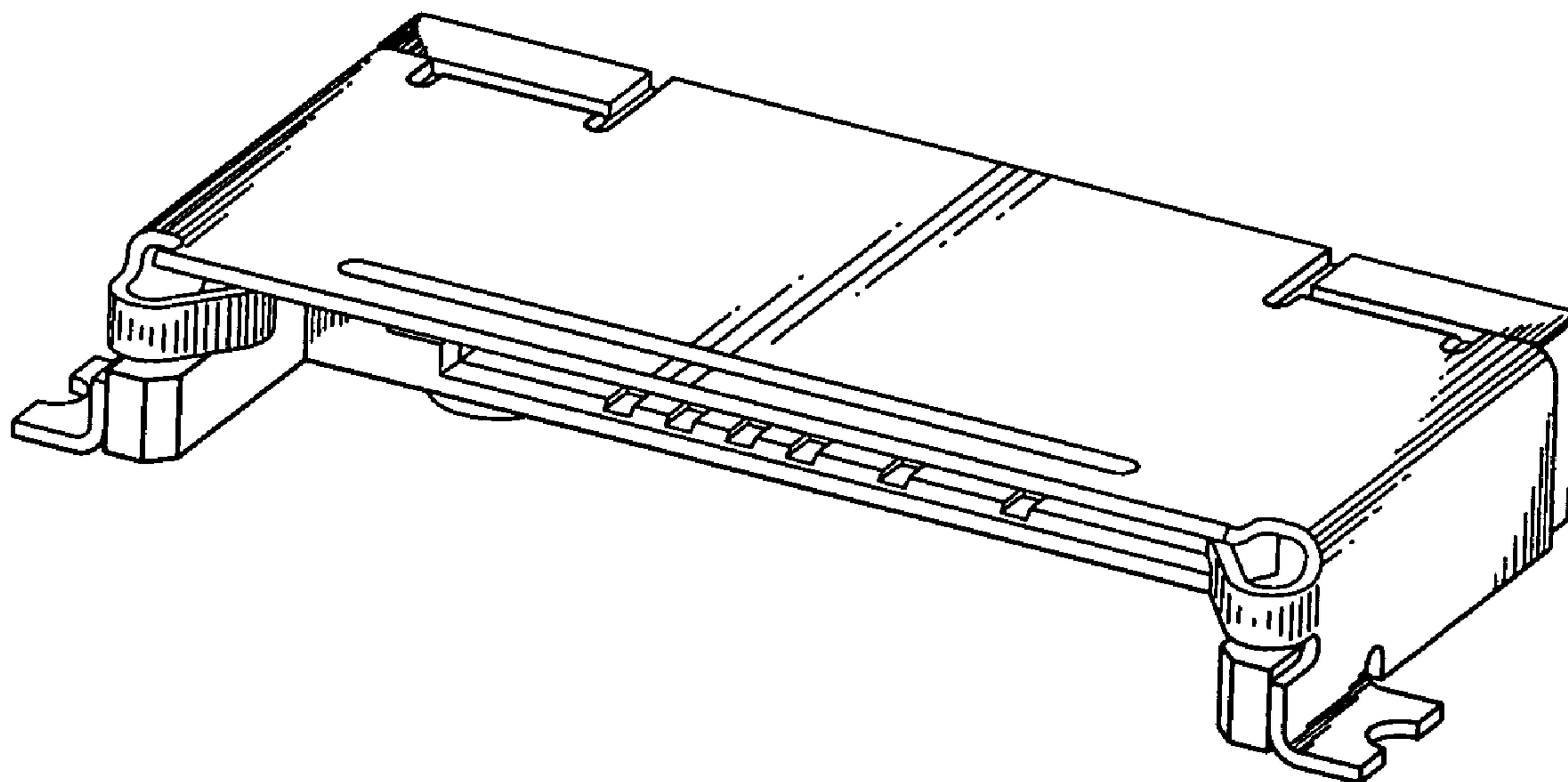
FIG. 5 is a right side elevational view thereof;

FIG. 6 is a top plan view thereof; and,

FIG. 7 is a bottom plan view thereof.

The broken line portion of the figure drawings is included to show unclaimed subject matter only and forms no part of the claimed design.

1 Claim, 7 Drawing Sheets



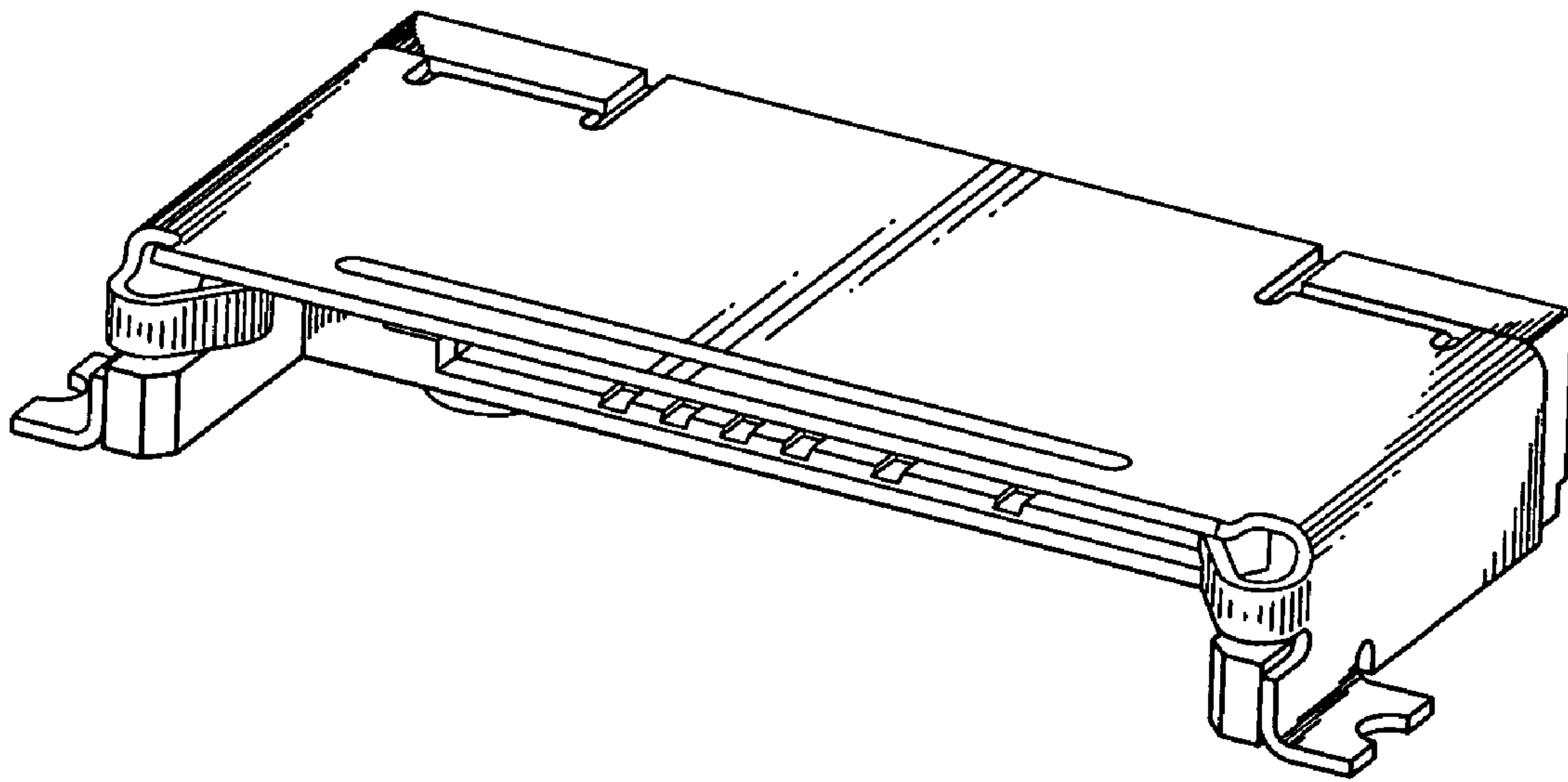


FIG. 1

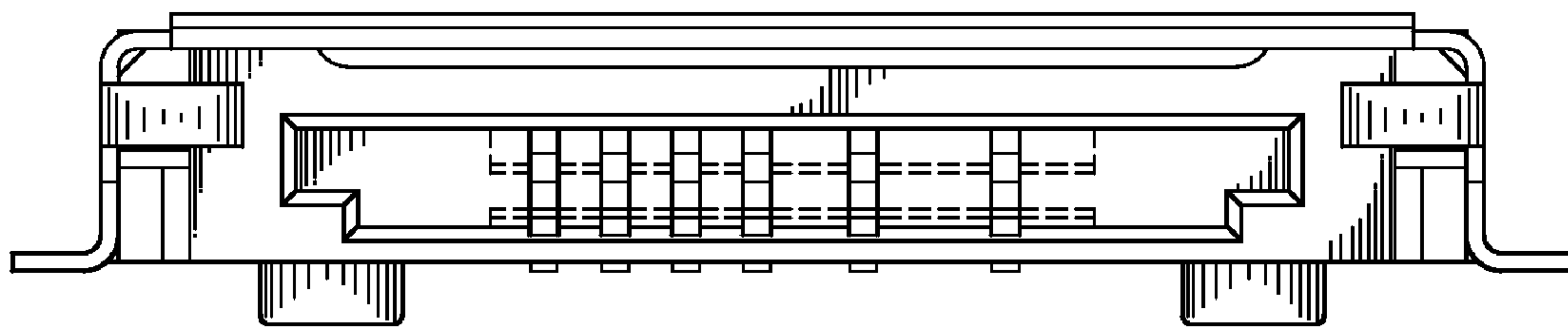


FIG. 2

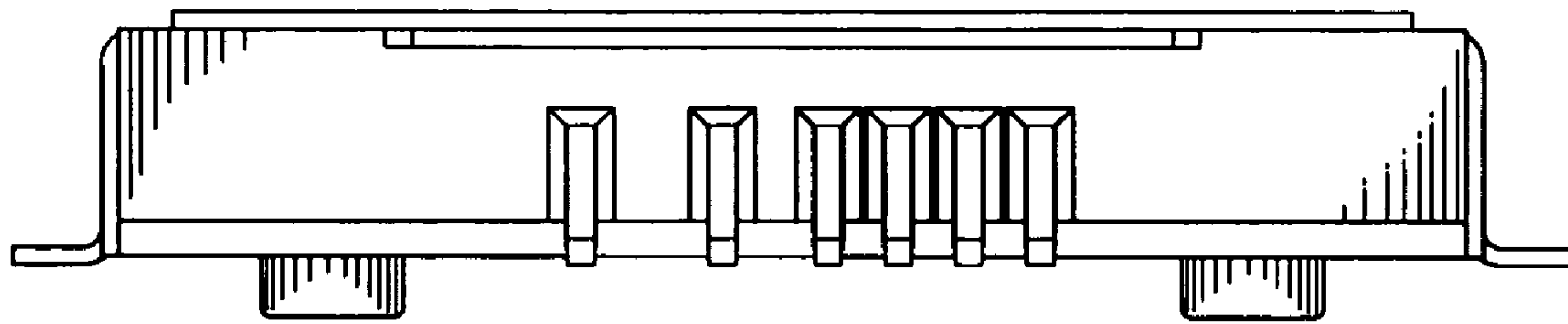


FIG. 3

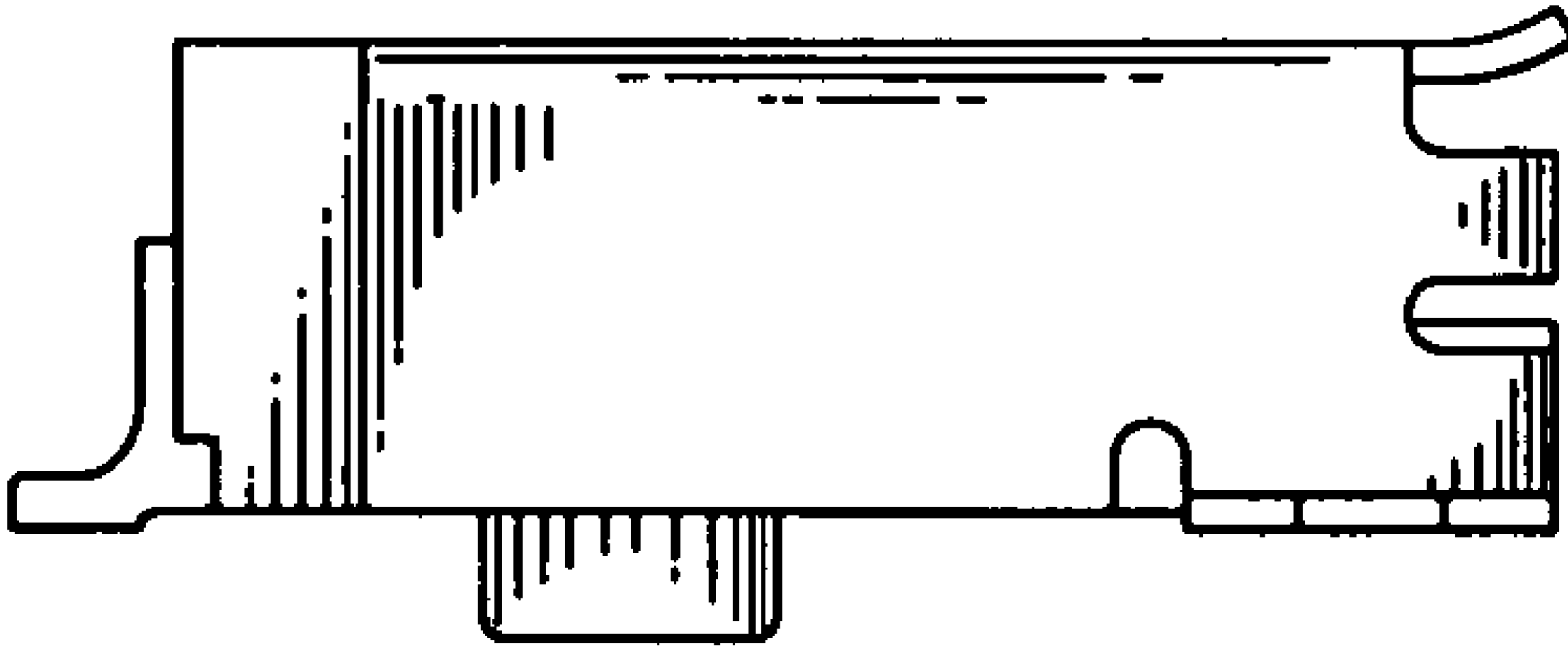


FIG. 4

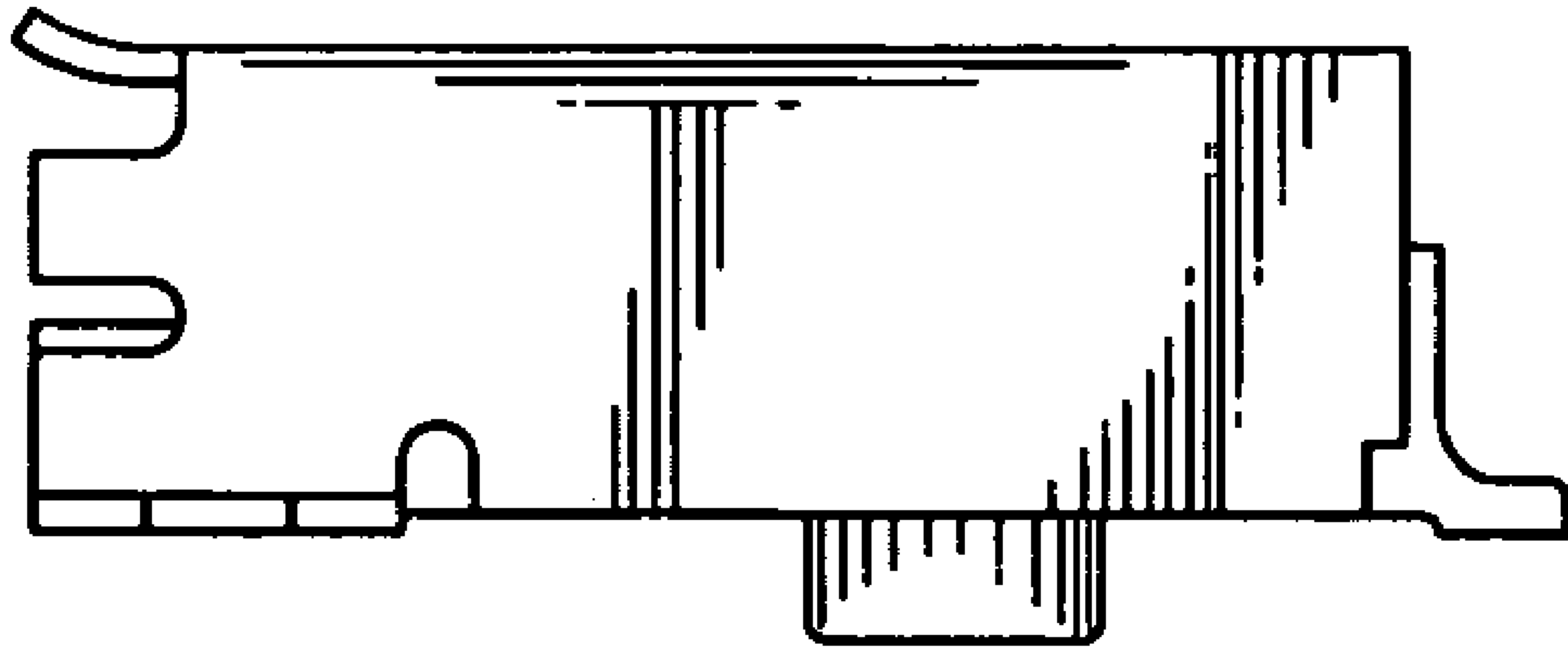


FIG. 5

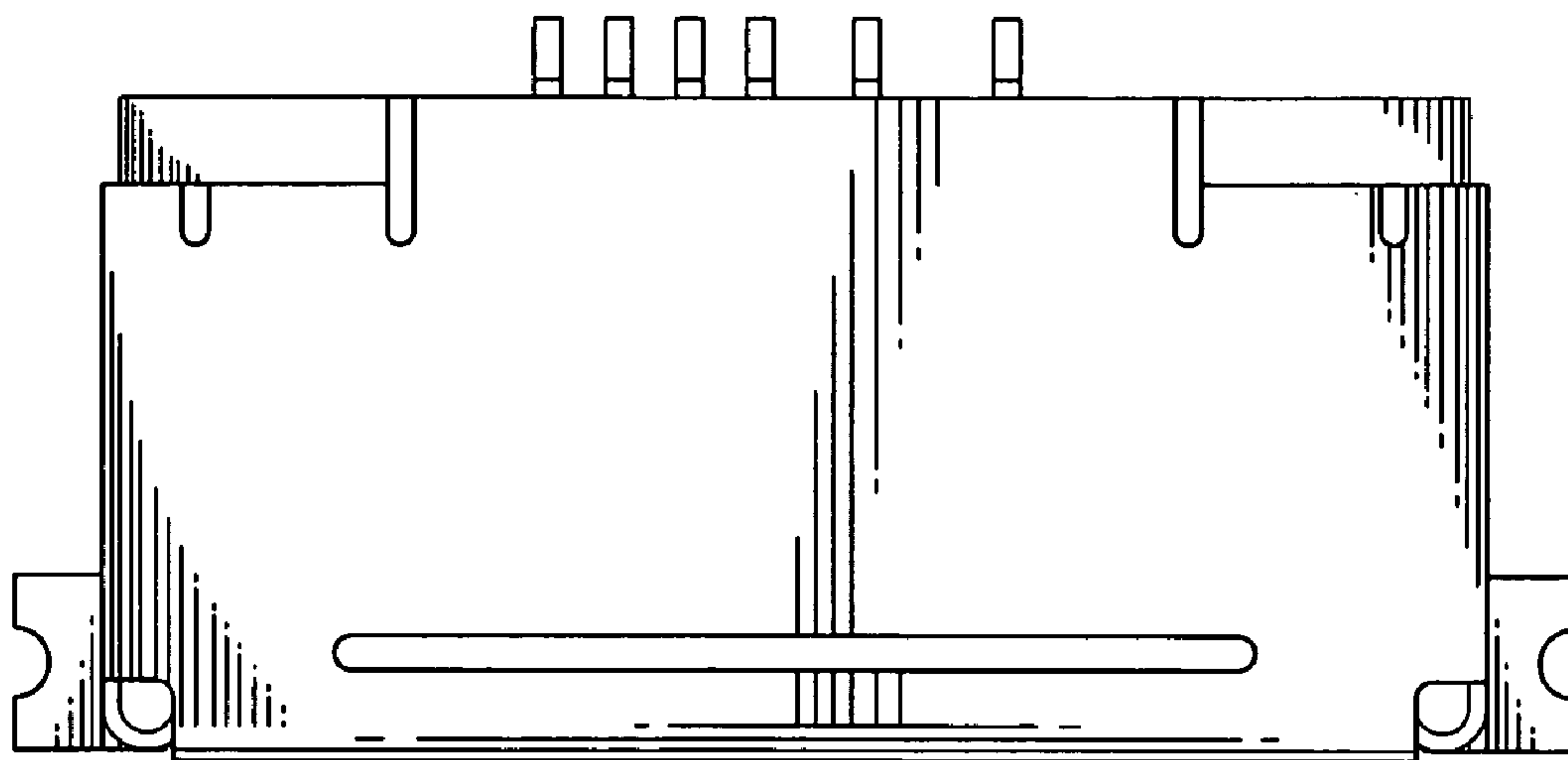


FIG. 6

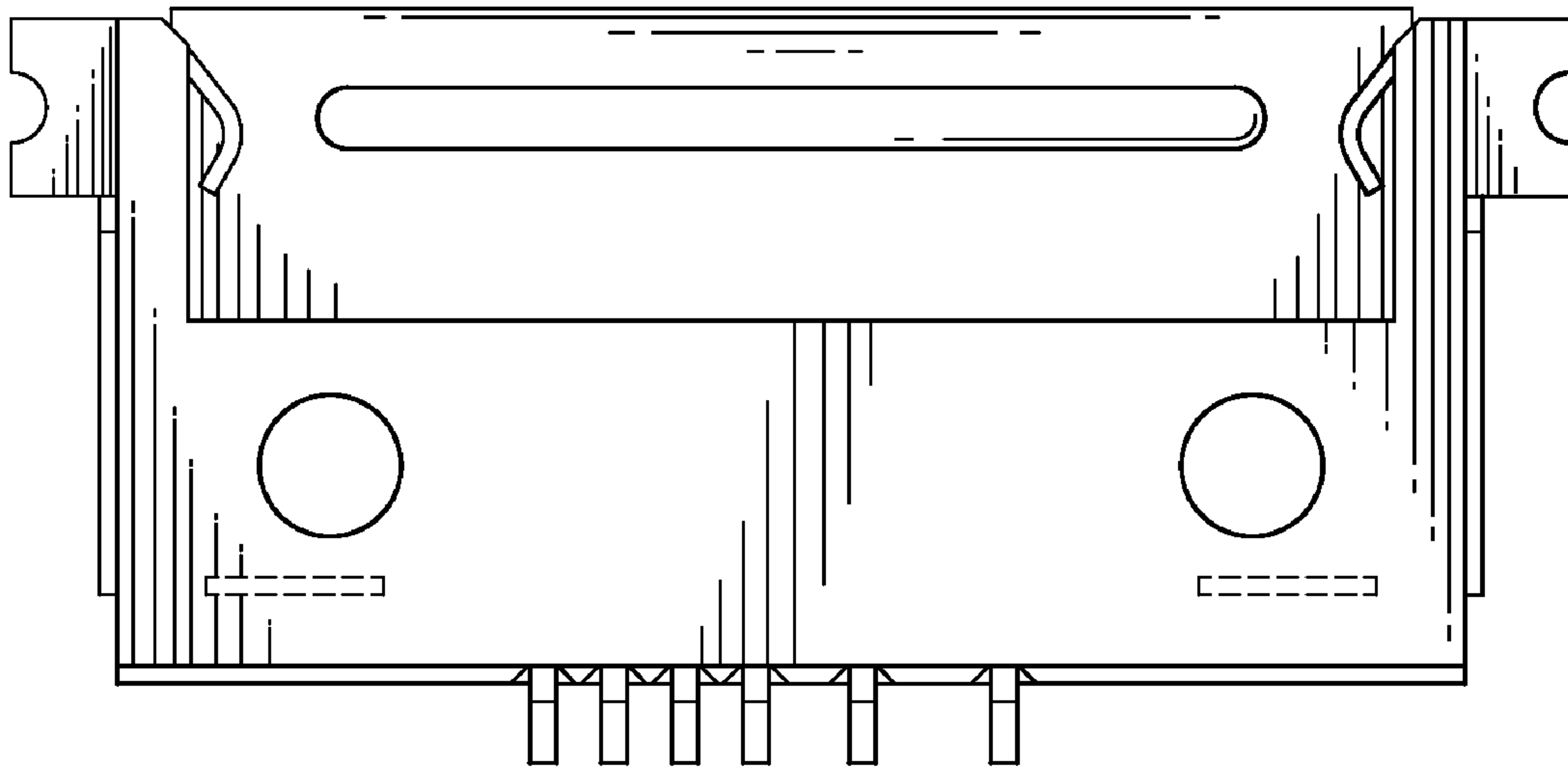


FIG. 7