



US00D598385S

(12) **United States Design Patent**
Liu et al.

(10) **Patent No.:** **US D598,385 S**

(45) **Date of Patent:** **** Aug. 18, 2009**

(54) **ELECTRICAL CONNECTOR**

(75) Inventors: **Qing-Song Liu**, Kunshan (CN);
Xing-Hai Xiang, Kunshan (CN);
Lun-Song Hu, Kunshan (CN); **Zi-Qiang Zhu**, Kunshan (CN)

(73) Assignee: **Hon Hai Precision Ind. Co., Ltd.**,
Taipei Hsien (TW)

(**) Term: **14 Years**

(21) Appl. No.: **29/301,165**

(22) Filed: **Feb. 13, 2008**

(30) **Foreign Application Priority Data**

Aug. 18, 2007 (CN) 2007 3 0179350

(51) **LOC (9) Cl.** **13-03**

(52) **U.S. Cl.** **D13/147**

(58) **Field of Classification Search** D13/133,
D13/146-147, 154, 184; 439/78, 83, 108,
439/504.1, 541.5, 594, 597, 600, 607-610,
439/639, 677, 680

See application file for complete search history.

(56) **References Cited**

U.S. PATENT DOCUMENTS

5,336,109 A * 8/1994 Hillbish et al. 439/541.5

D377,336 S * 1/1997 Tan et al. D13/147
D411,174 S * 6/1999 Huang D13/147
D414,162 S * 9/1999 Huang D13/147
D433,384 S * 11/2000 Wu D13/147
D452,961 S * 1/2002 Zheng et al. D13/147

* cited by examiner

Primary Examiner—Daniel D Bui

(74) *Attorney, Agent, or Firm*—Wei Te Chung

(57) **CLAIM**

The ornamental design for an electrical connector, as shown and described.

DESCRIPTION

FIG. 1 is a front, top and right side perspective view of an electrical connector showing our new design;

FIG. 2 is a front elevational view thereof;

FIG. 3 is a rear elevational view thereof;

FIG. 4 is a left side elevational view thereof;

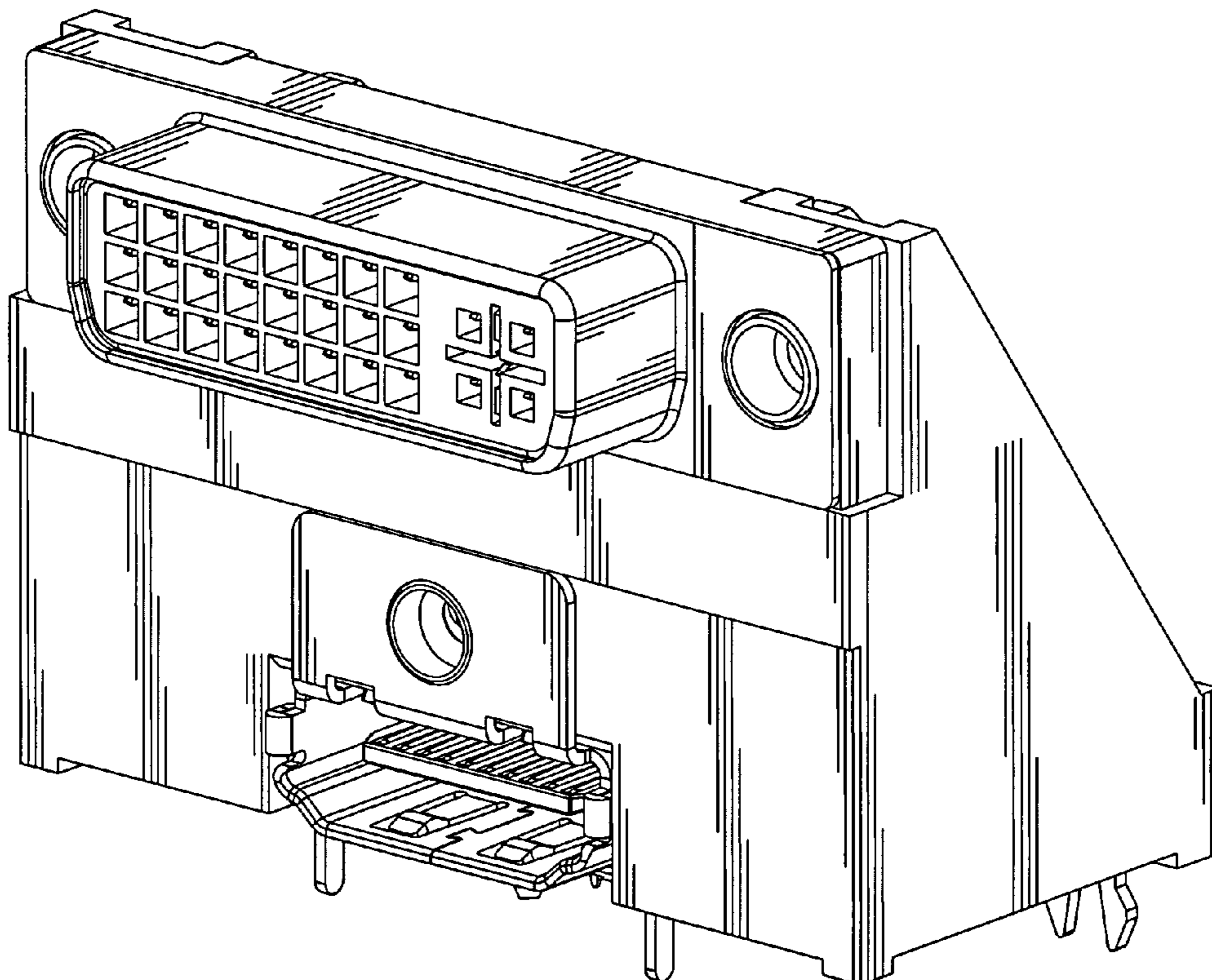
FIG. 5 is a right side elevational view thereof;

FIG. 6 is a top plan view thereof; and,

FIG. 7 is a bottom plan view thereof.

The broken line portion of the drawing views is included to show unclaimed subject matter only and forms no part of the claimed design.

1 Claim, 7 Drawing Sheets



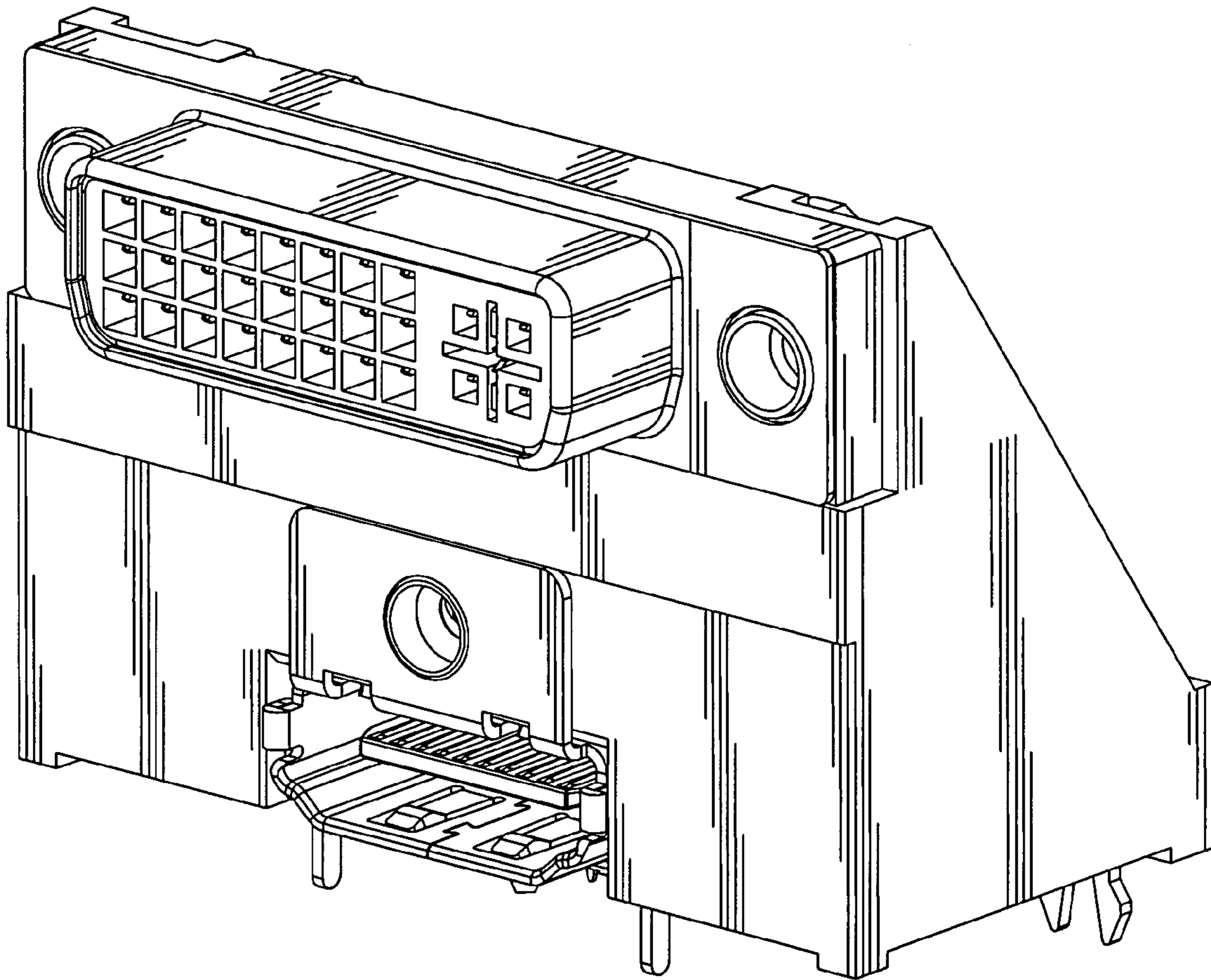


FIG. 1

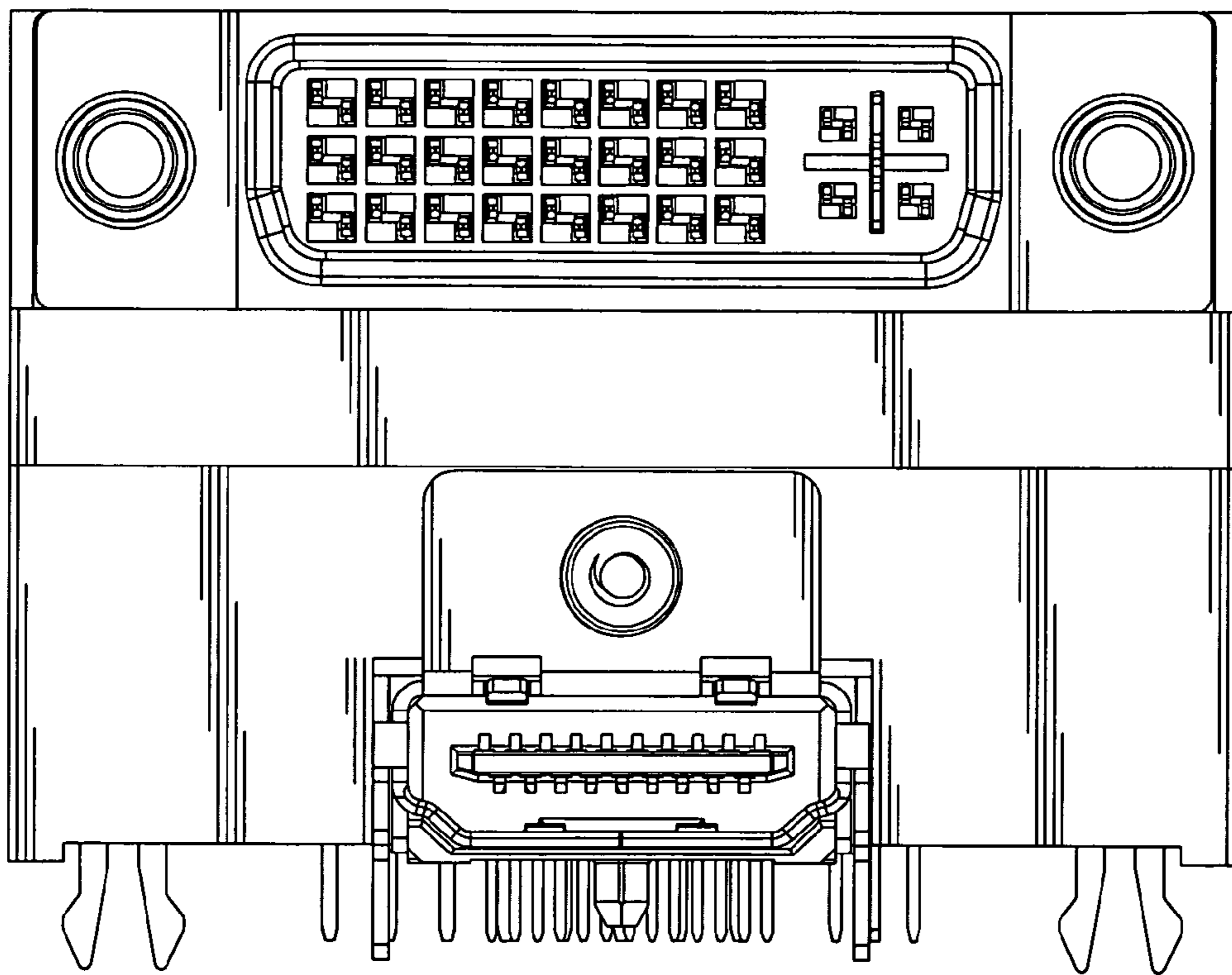


FIG. 2

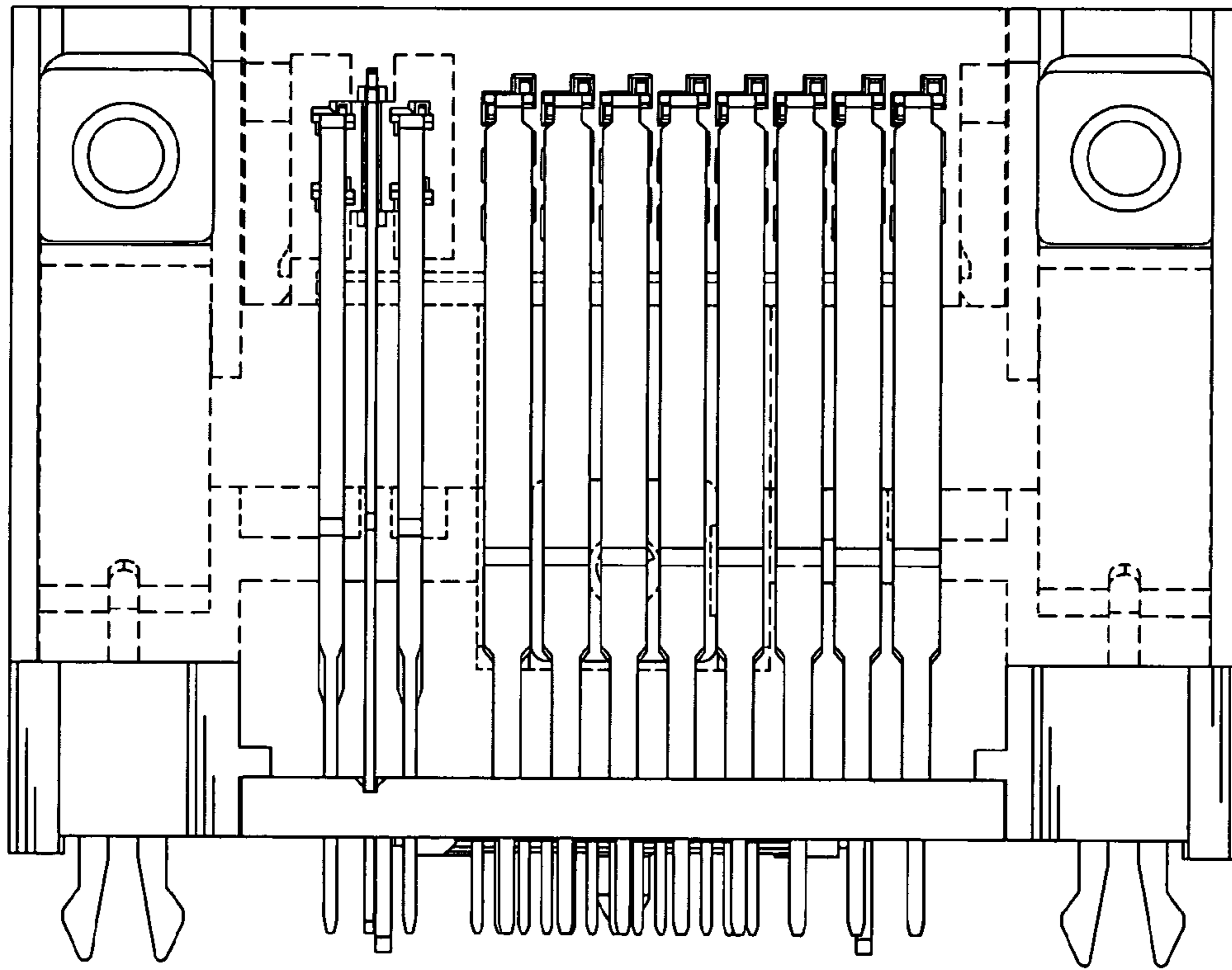


FIG. 3

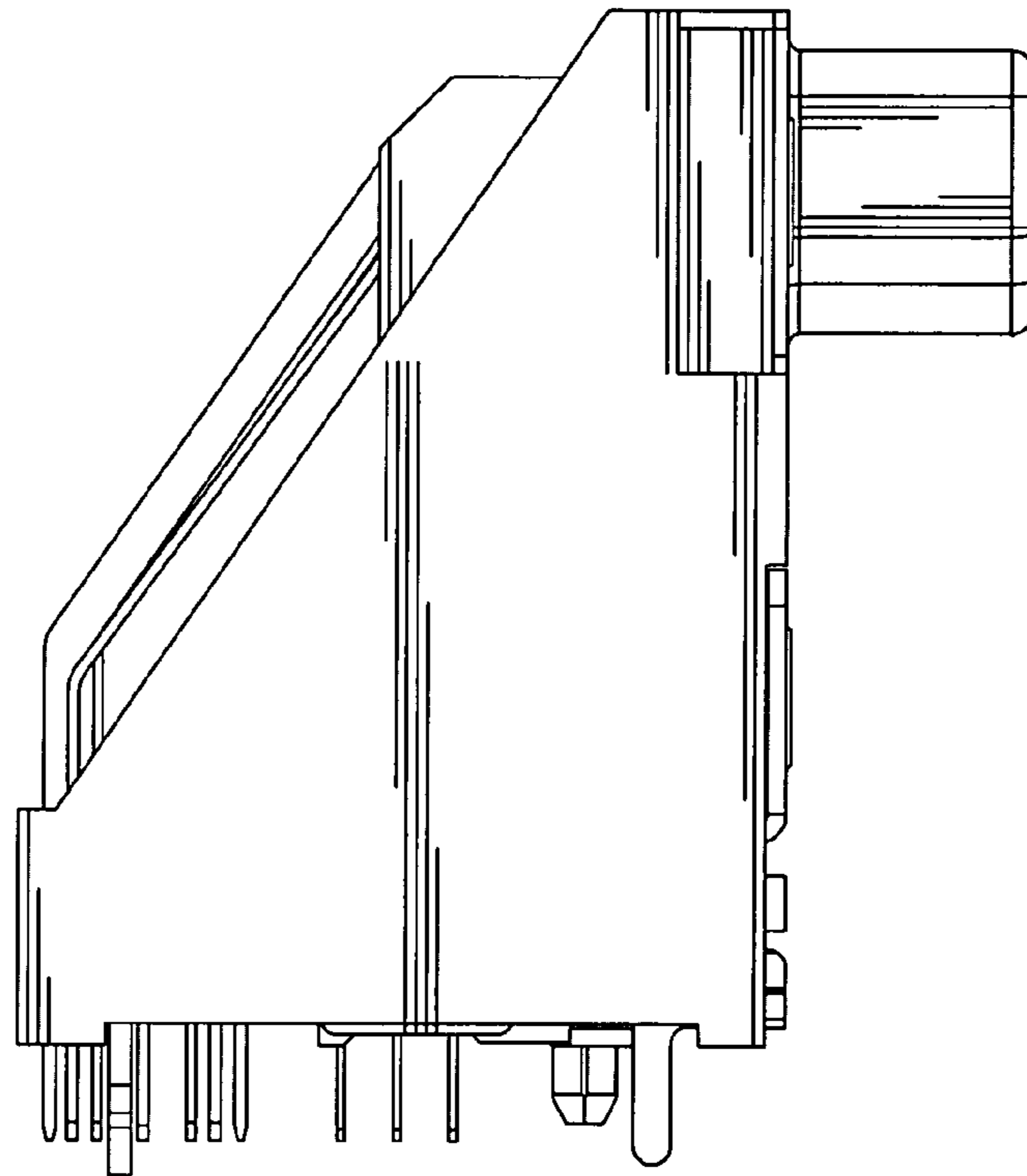


FIG. 4

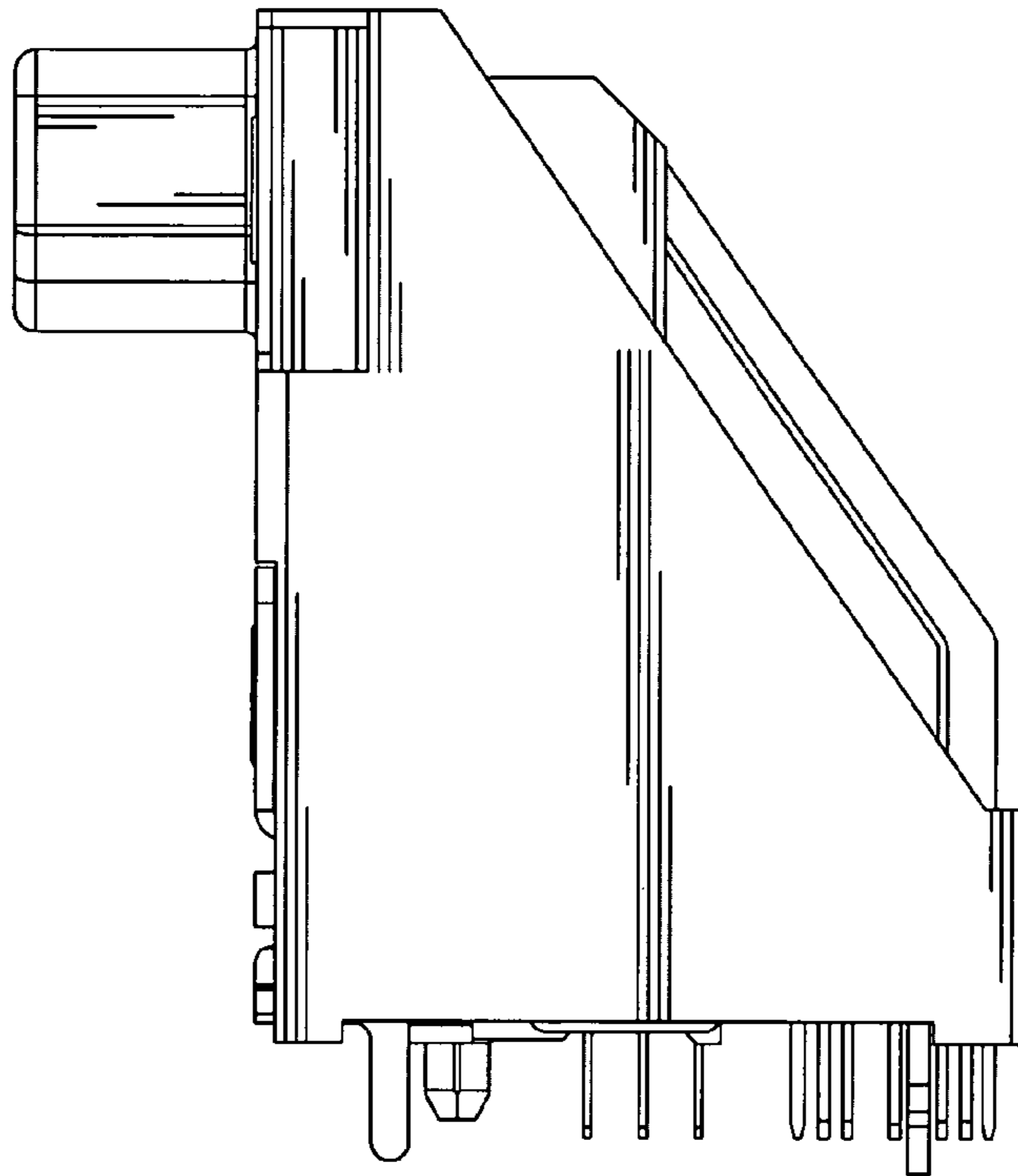


FIG. 5

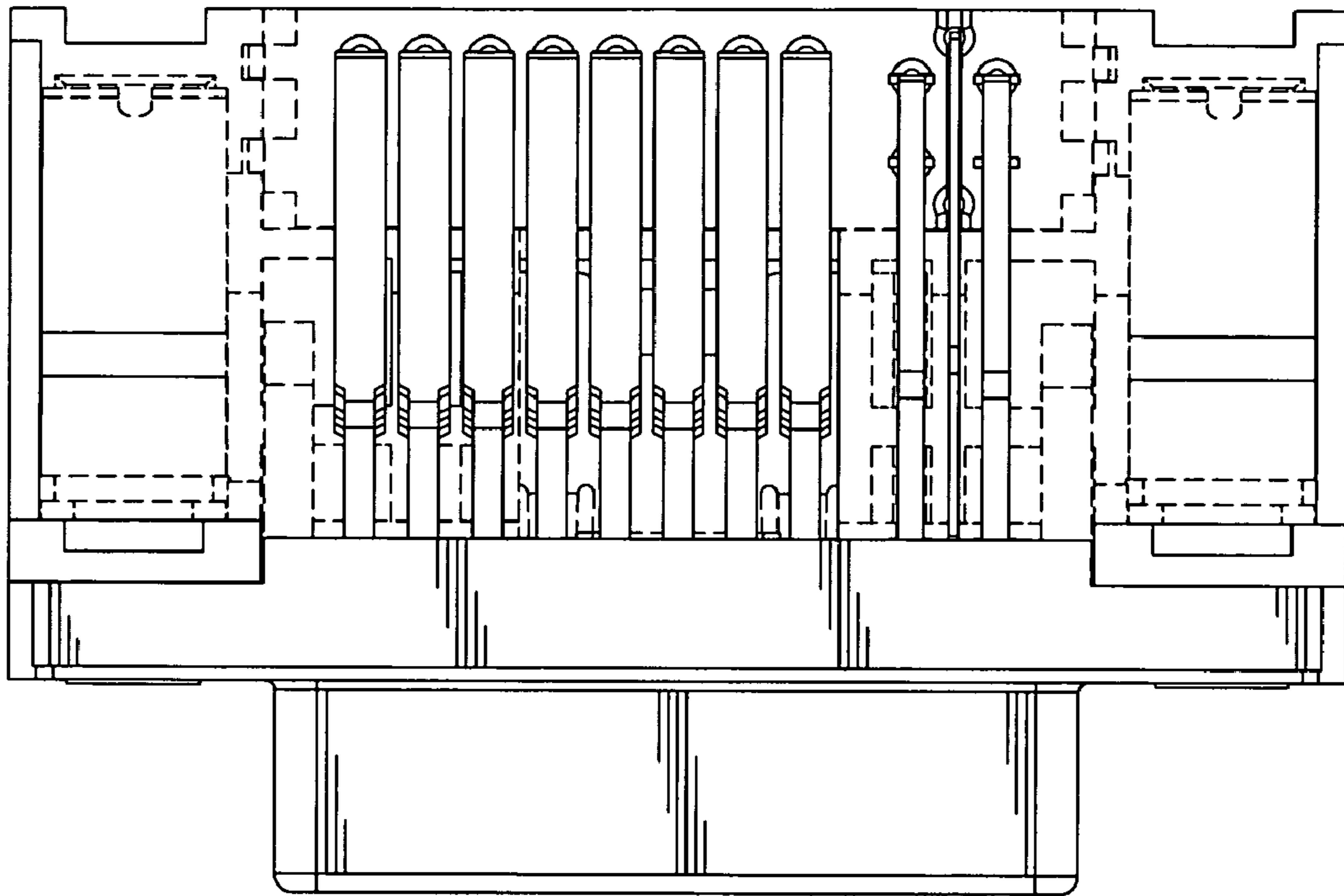


FIG. 6

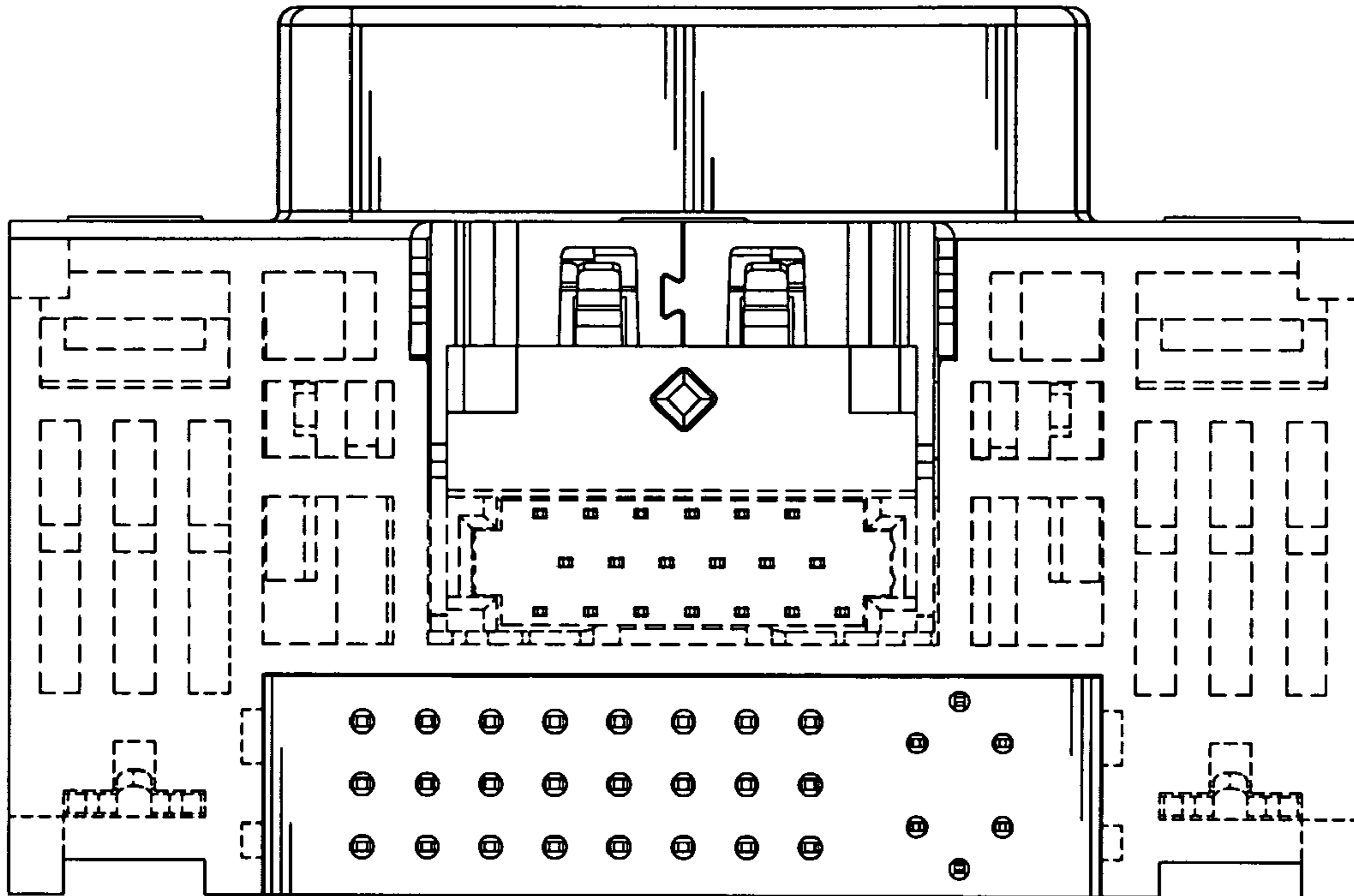


FIG. 7