



US00D598383S

(12) **United States Design Patent**
Chen

(10) **Patent No.:** **US D598,383 S**

(45) **Date of Patent:** **** Aug. 18, 2009**

(54) **ELECTRICAL CONNECTOR**

(74) *Attorney, Agent, or Firm*—Guice Patents PLLC

(75) Inventor: **Wan-Tien Chen**, Taipei (TW)

(57) **CLAIM**

(73) Assignee: **WonTen Technology Co., Ltd.**, Taipei (TW)

The ornamental design for electrical connector, as shown and described.

(**) Term: **14 Years**

DESCRIPTION

(21) Appl. No.: **29/290,327**

FIG. 1 is a top, front and left side perspective view of an electrical connector showing my new design;

(22) Filed: **Nov. 20, 2007**

FIG. 2 is a bottom, front and left side perspective view thereof;

(51) **LOC (9) Cl.** **13-03**

FIG. 3 is a front elevation view thereof, in use condition;

(52) **U.S. Cl.** **D13/147**

FIG. 4 is another front elevation view thereof, in use condition;

(58) **Field of Classification Search** D13/147,
D13/154, 184; 439/108, 540.1, 541.5, 607–610
See application file for complete search history.

FIG. 5 is a front elevation view thereof.

(56) **References Cited**

FIG. 6 is a left side elevation view thereof;

U.S. PATENT DOCUMENTS

FIG. 7 is a top plan view thereof;

D378,510	S	*	3/1997	Tan et al.	D13/147
D419,134	S	*	1/2000	Chen	D13/146
D446,775	S	*	8/2001	Chao-Hsing et al.	D13/147
6,368,151	B1	*	4/2002	Chen et al.	439/541.5
D555,102	S	*	11/2007	Xiao et al.	D13/147
D580,361	S	*	11/2008	Zheng et al.	D13/147

FIG. 8 is a bottom plan view thereof;

FIG. 9 is a back side elevation view thereof; and,

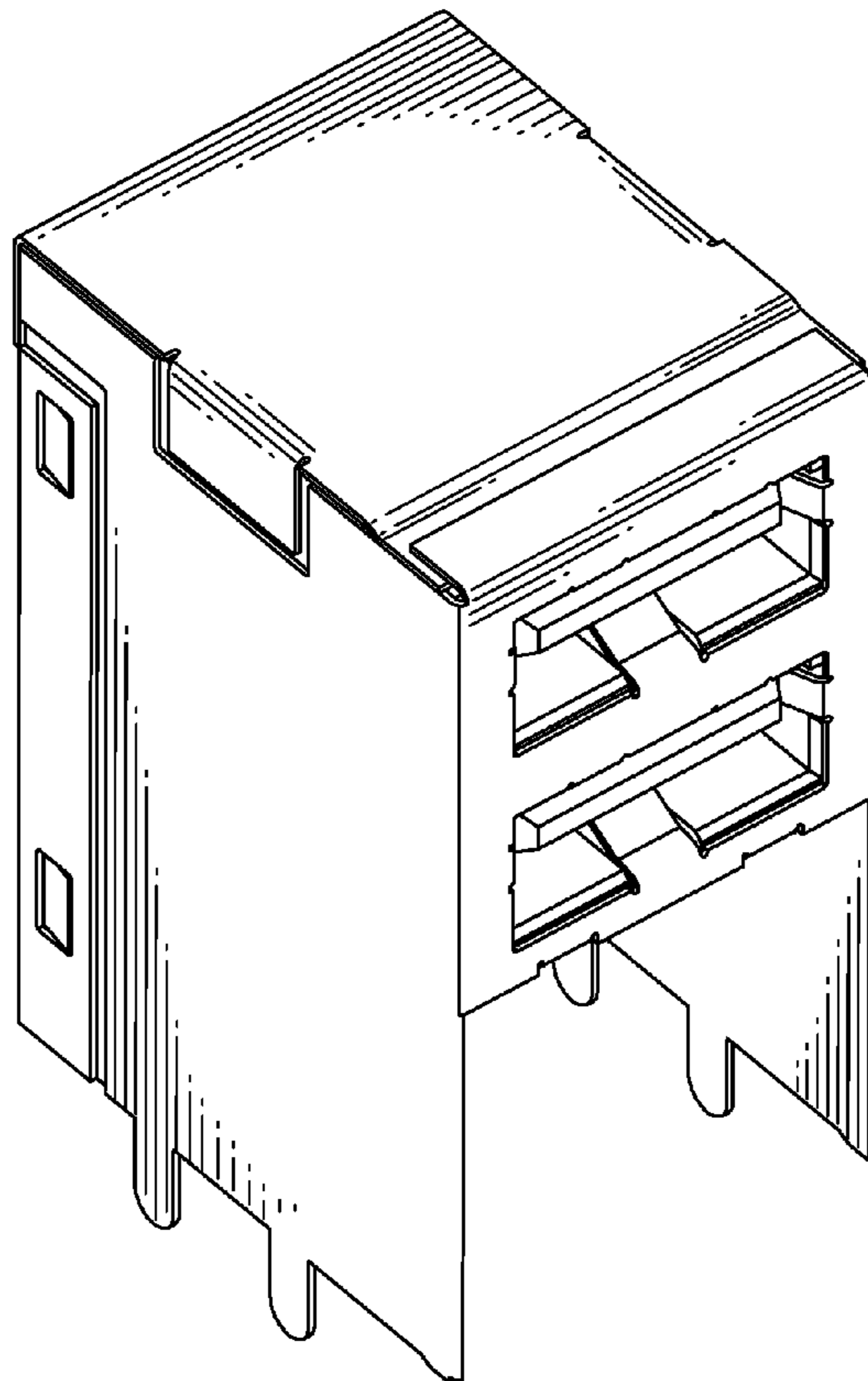
FIG. 10 is a right side elevation view thereof.

The broken line portion of the figure drawings is included to show unclaimed subject matter only and forms no part of the claimed design.

* cited by examiner

Primary Examiner—Daniel D Bui

1 Claim, 7 Drawing Sheets



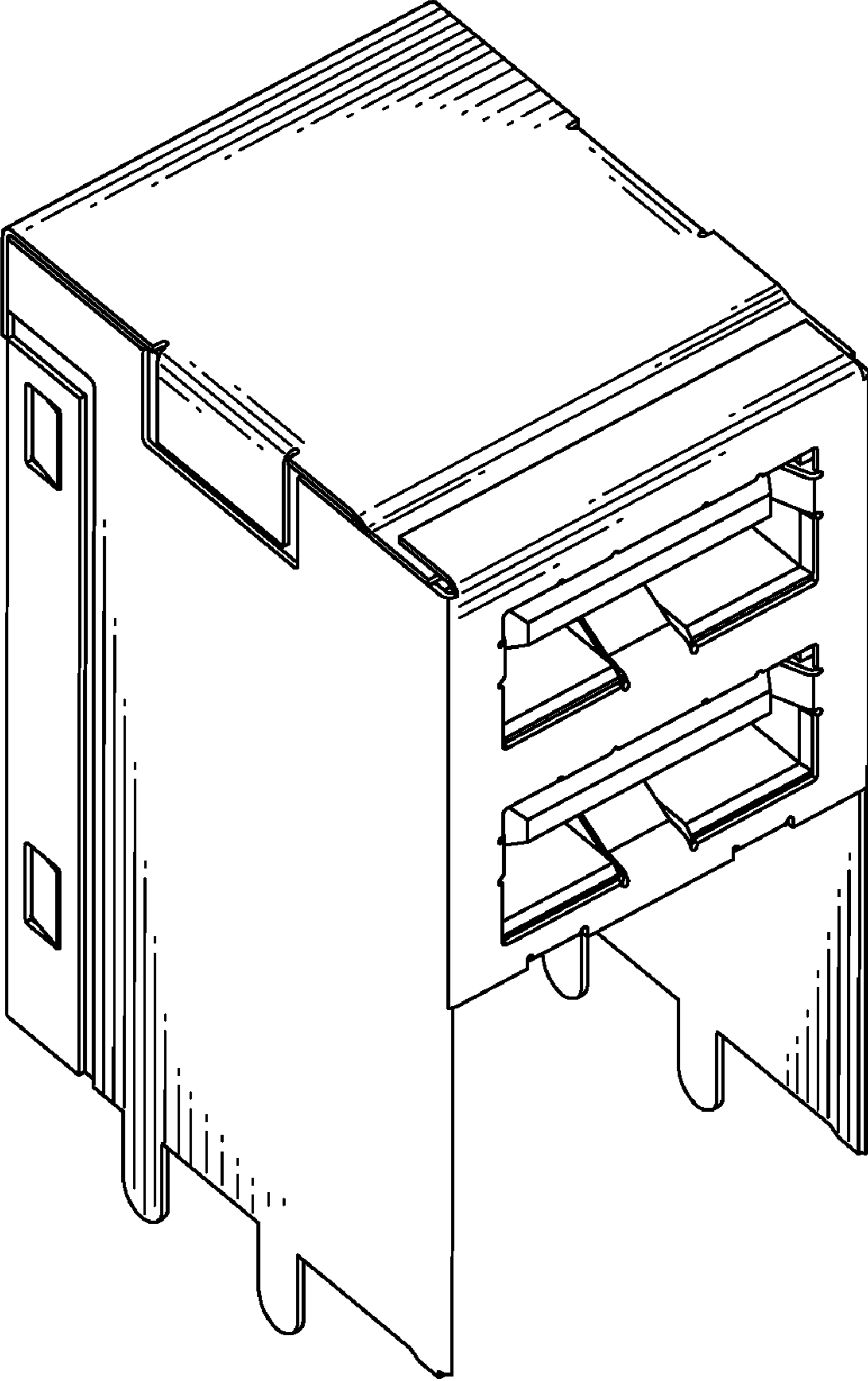


FIG. 1

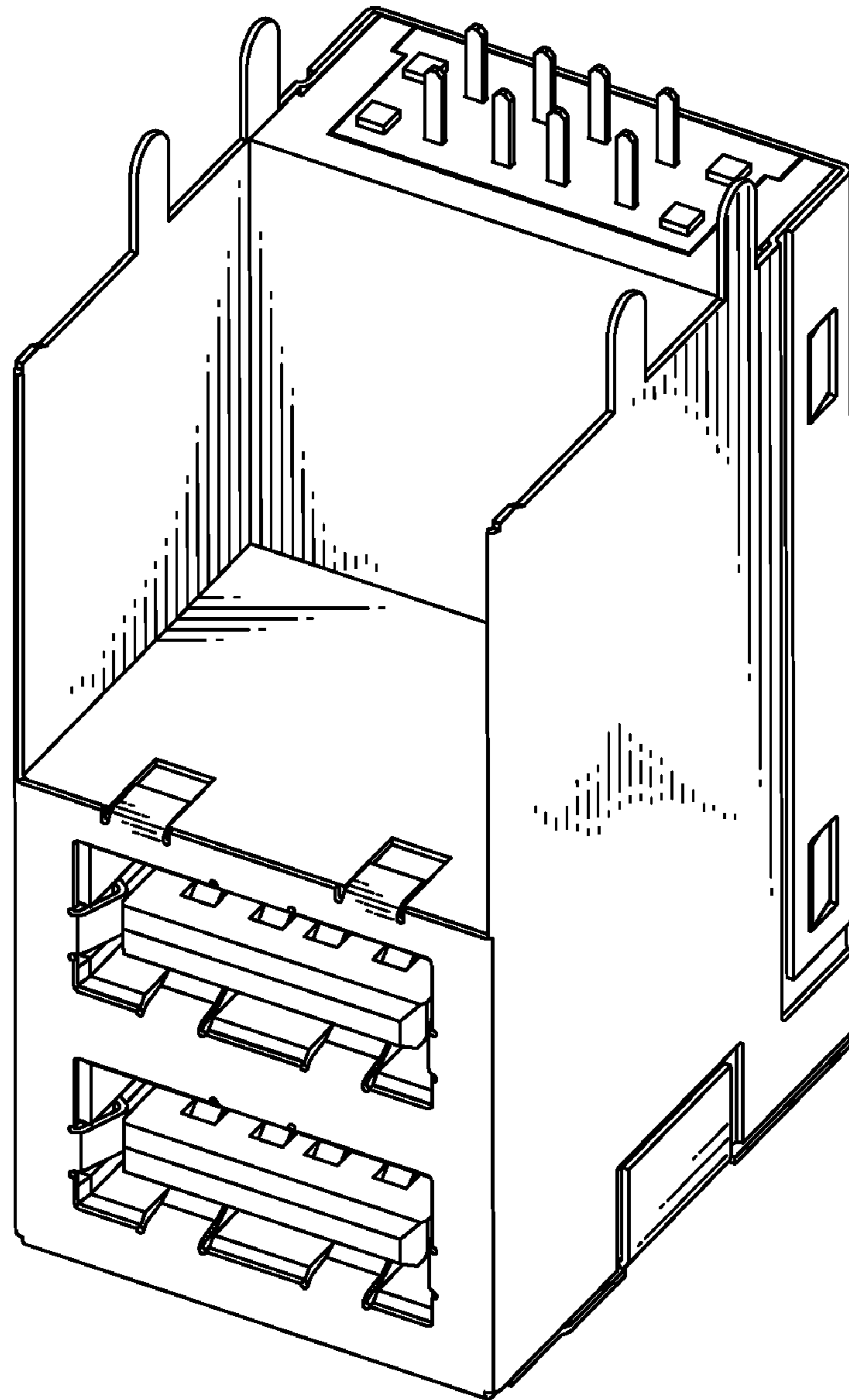


FIG. 2

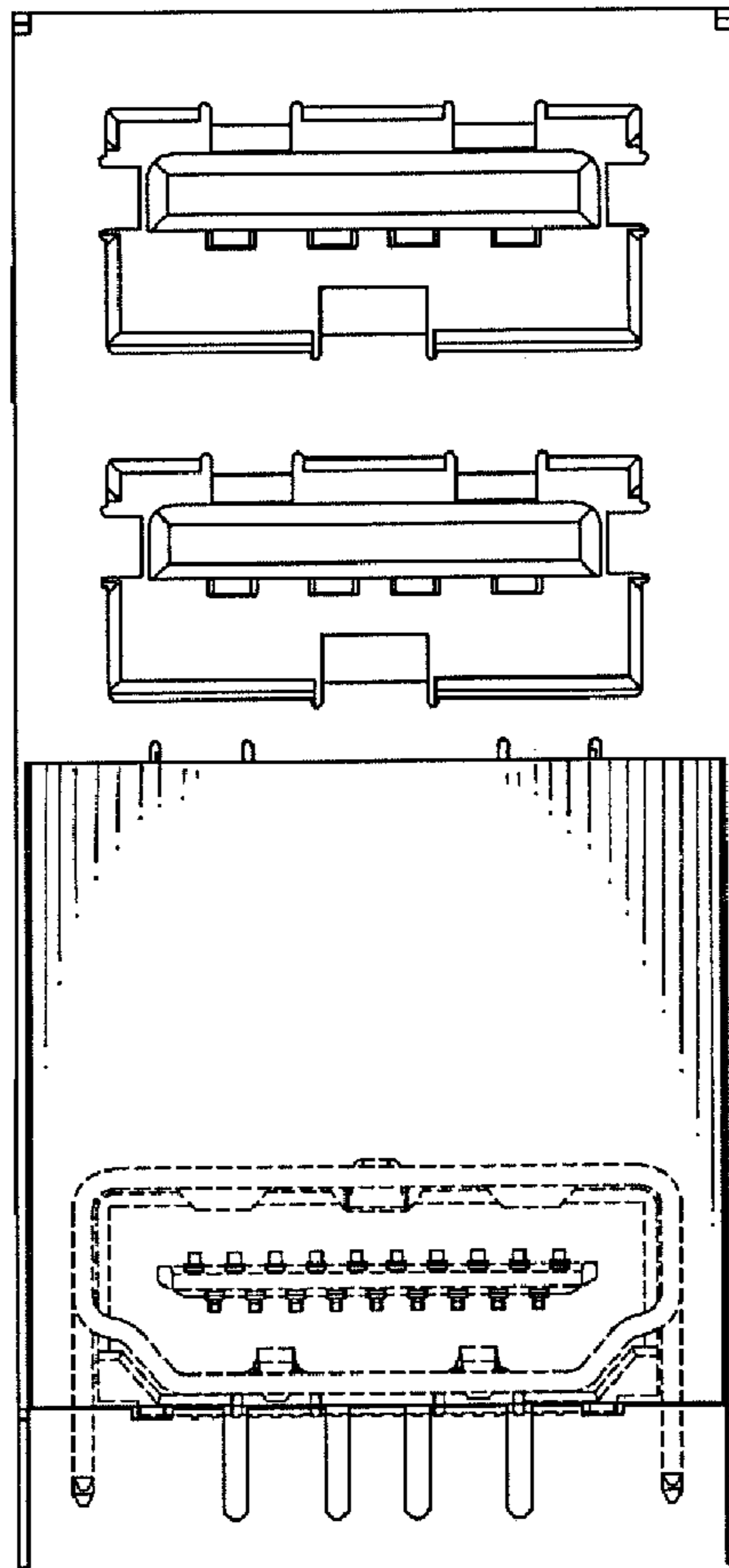


FIG. 3

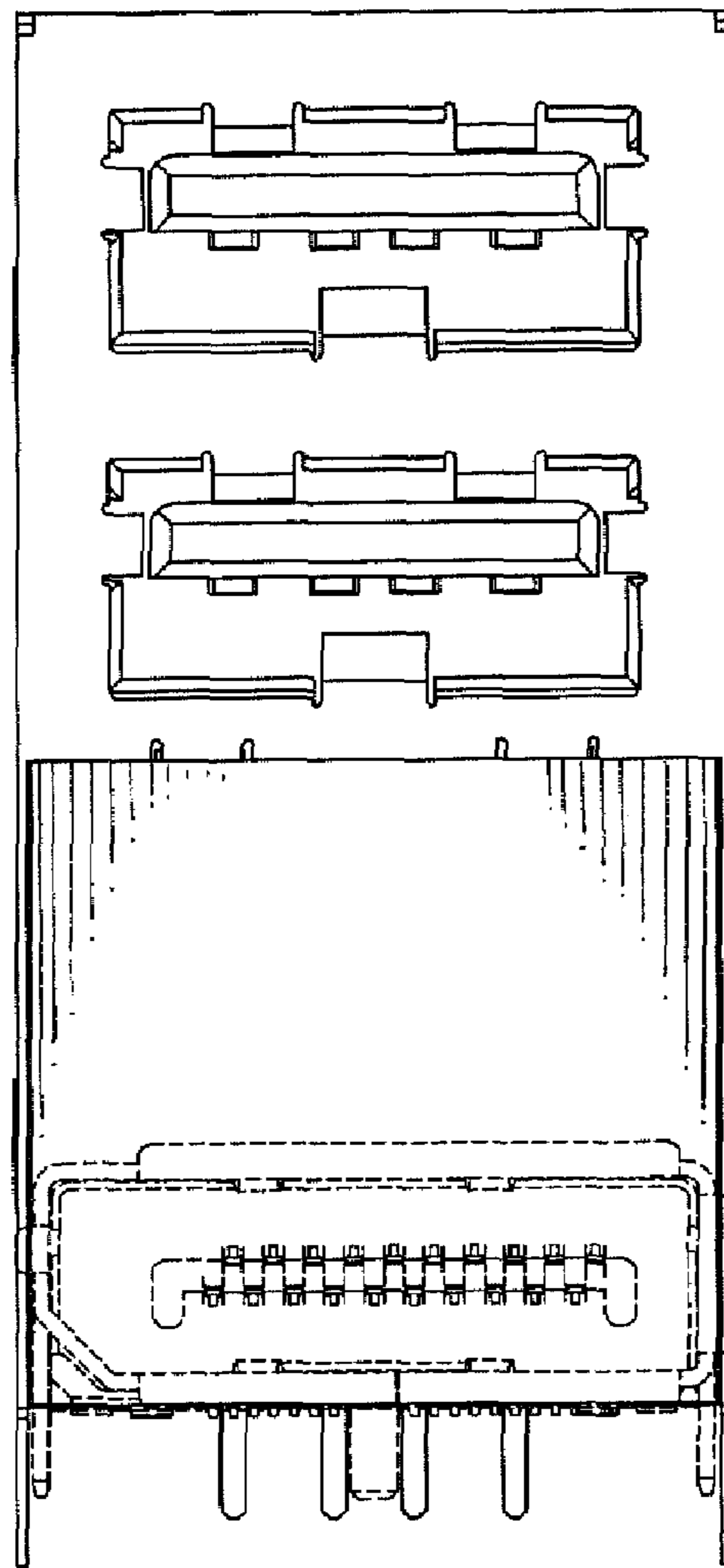


FIG. 4

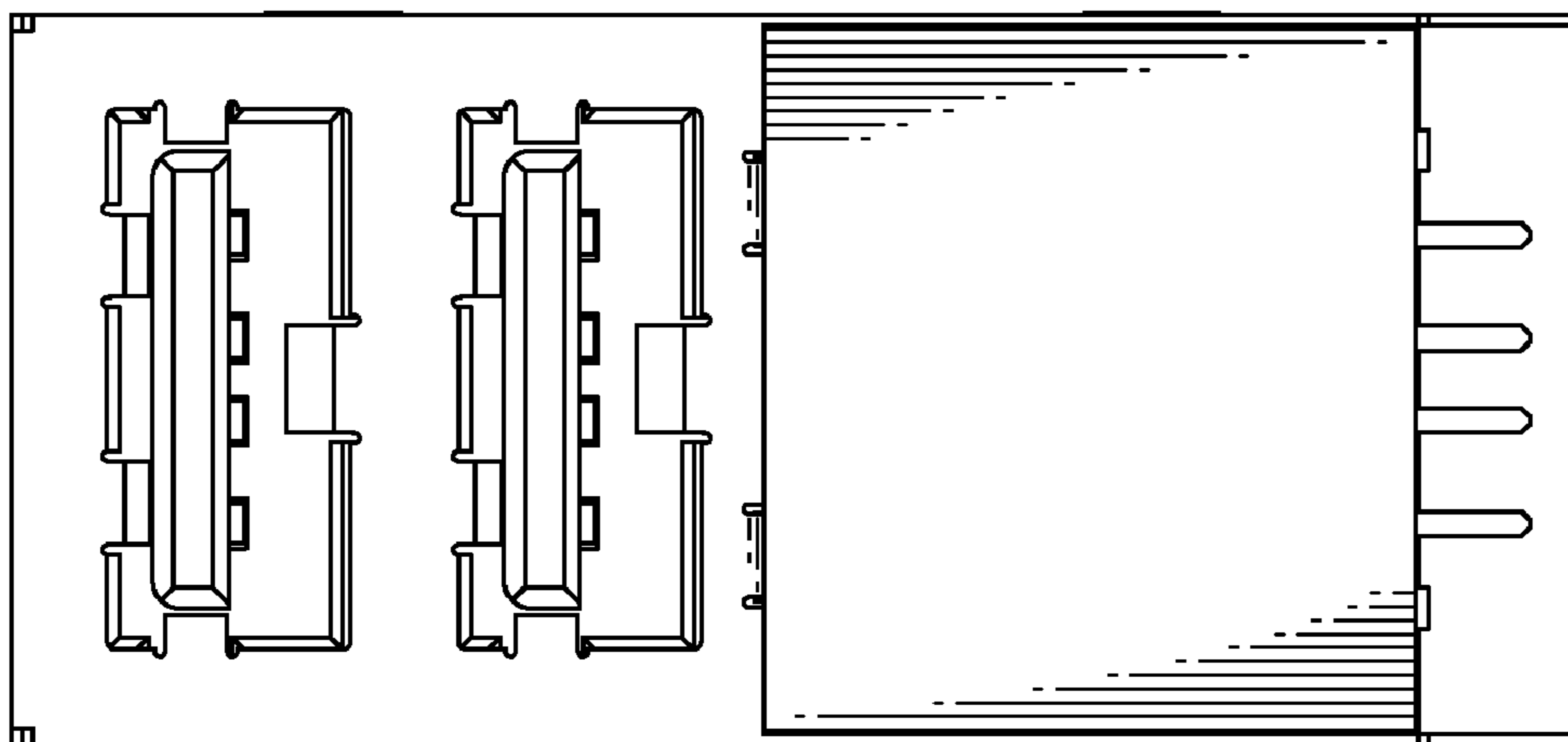


FIG. 5

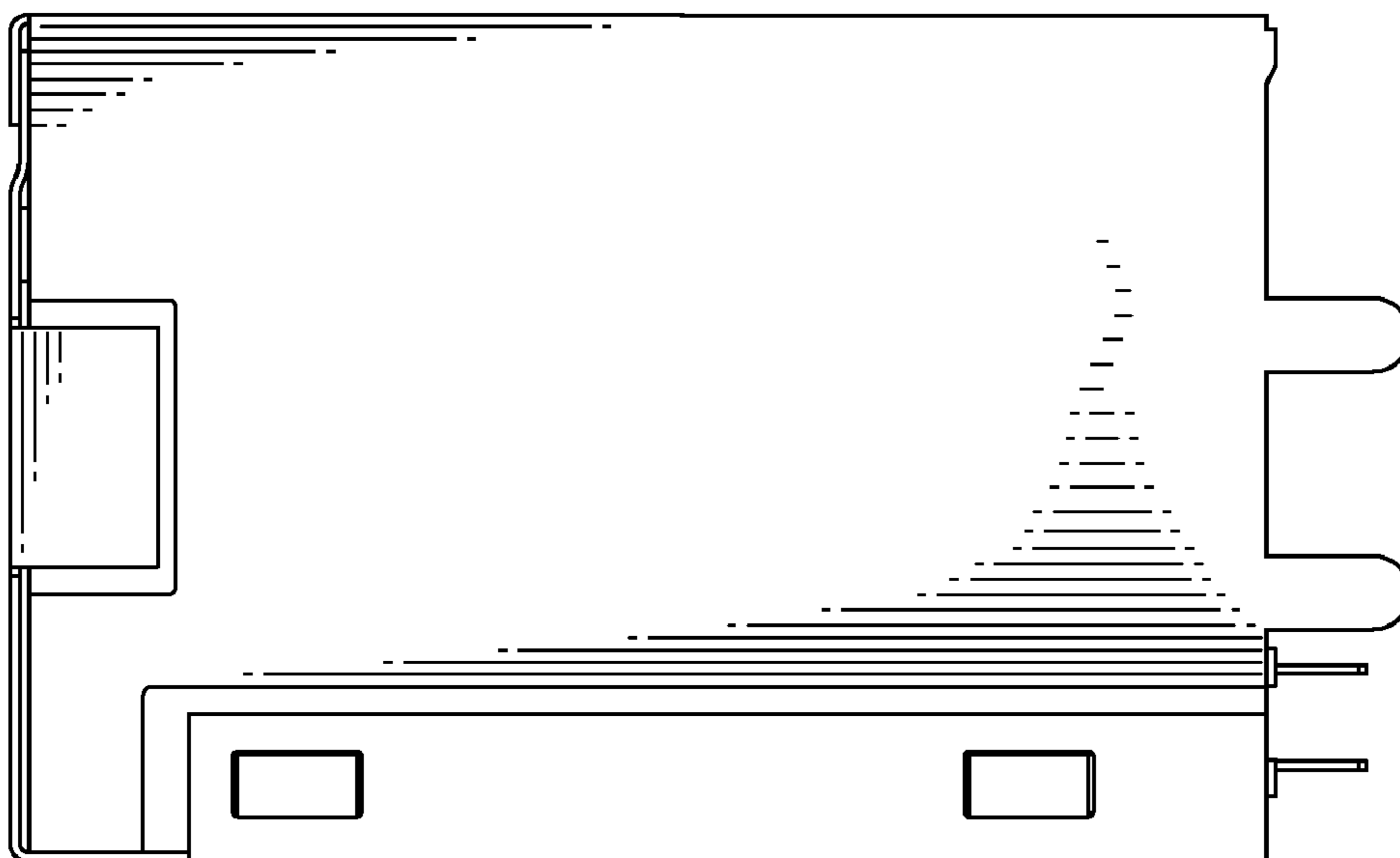


FIG. 6

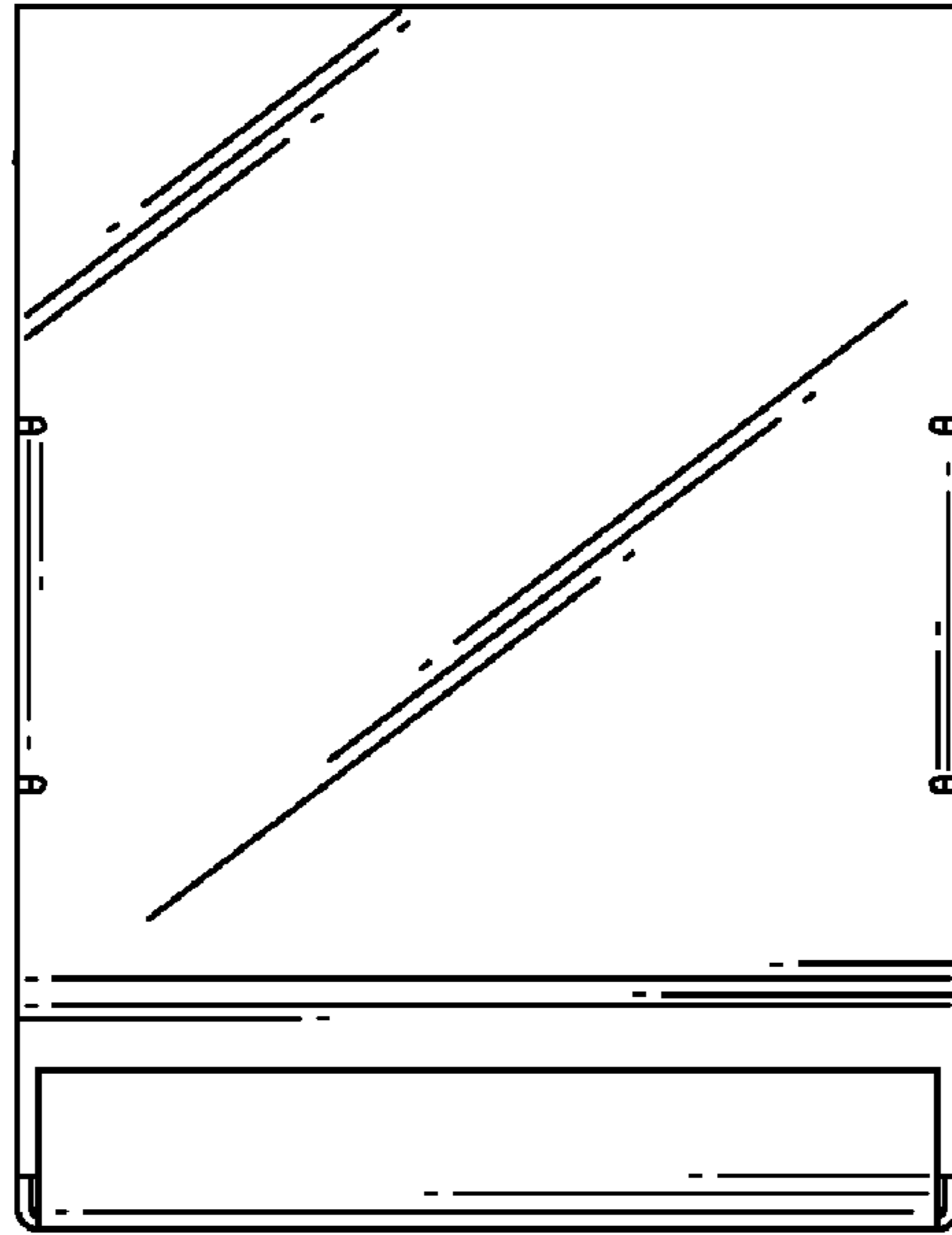


FIG. 7

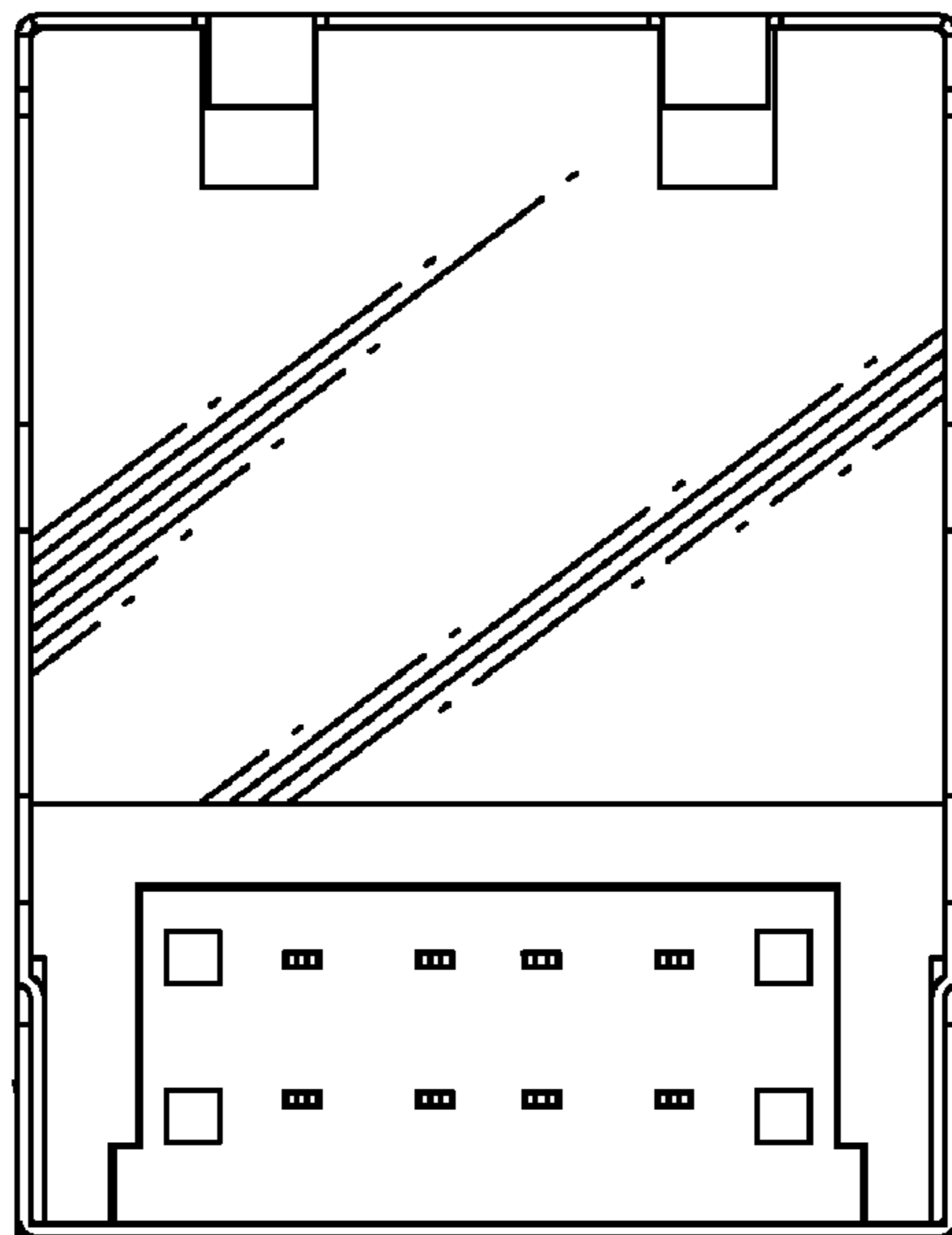


FIG. 8



FIG. 9

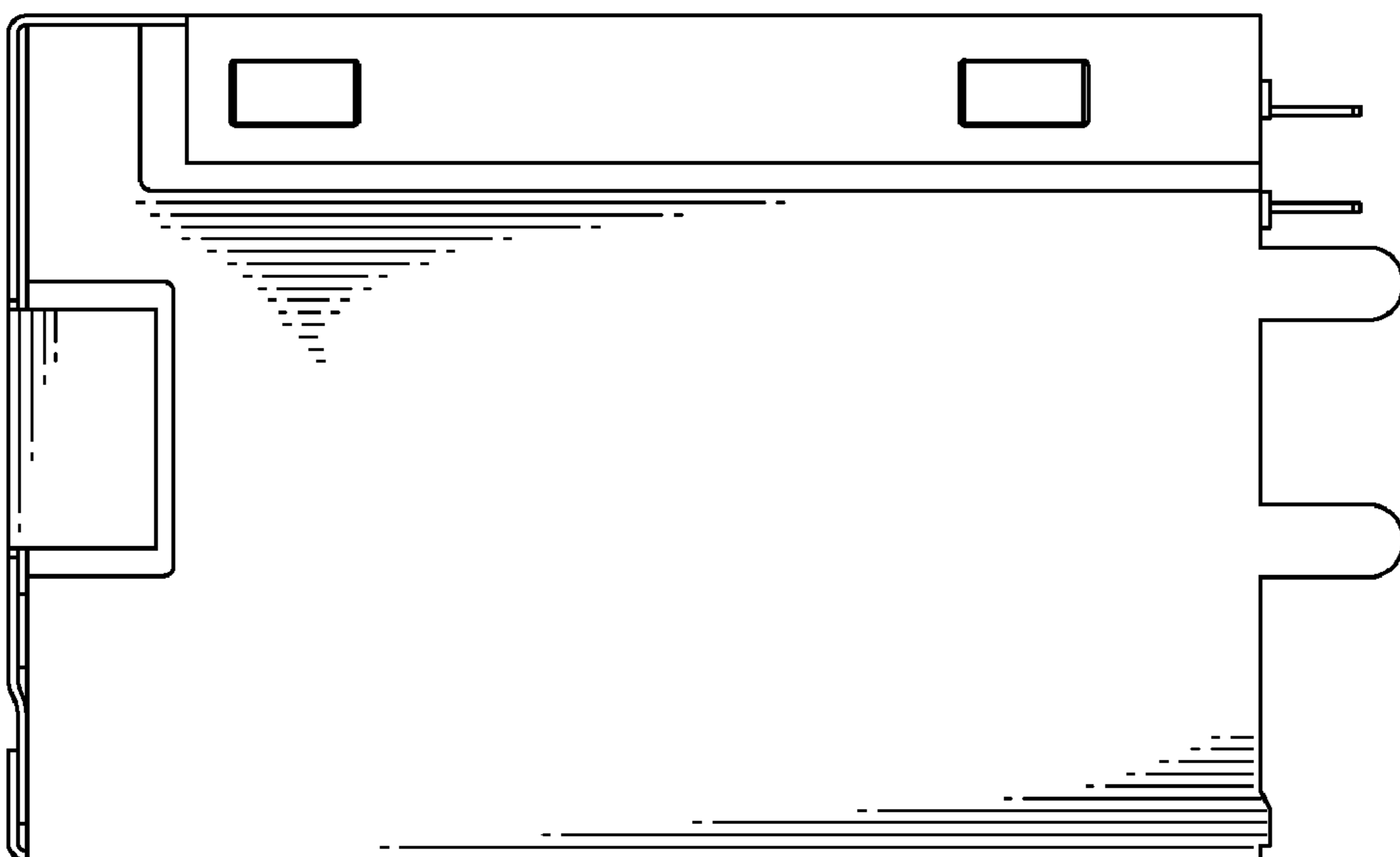


FIG. 10