



US00D598382S

(12) **United States Design Patent**
So

(10) **Patent No.:** **US D598,382 S**

(45) **Date of Patent:** **** Aug. 18, 2009**

(54) **CONNECTOR TERMINAL**

2005/0059295 A1* 3/2005 Chen et al. 439/540.1

(75) Inventor: **Shun Tong So**, Kwun Tong (HK)

* cited by examiner

(73) Assignee: **Morning Star Industrial Company Limited**, Kwun Tong (HK)

Primary Examiner—Daniel D Bui

(74) *Attorney, Agent, or Firm*—Gottlieb, Rackman & Reisman

(**) Term: **14 Years**

(57) **CLAIM**

(21) Appl. No.: **29/258,239**

I claim the ornamental design for a connector terminal, as shown and described.

(22) Filed: **Apr. 19, 2006**

(51) **LOC (9) Cl.** **13-03**

(52) **U.S. Cl.** **D13/147**

(58) **Field of Classification Search** D13/133,
D13/147, 154, 184, 199; D14/140, 217,
D14/240, 256, 299, 356; 439/344, 538, 535–536,
439/540.1, 571, 573, 638, 650, 676
See application file for complete search history.

DESCRIPTION

FIG. 1 is a front elevational view of a connector terminal showing my design;

FIG. 2 is a rear elevational view thereof;

FIG. 3 is a left side elevational view thereof;

FIG. 4 is a right side elevational view thereof;

FIG. 5 is a top plan view thereof;

FIG. 6 is a bottom plan view thereof; and,

FIG. 7 is a perspective view thereof.

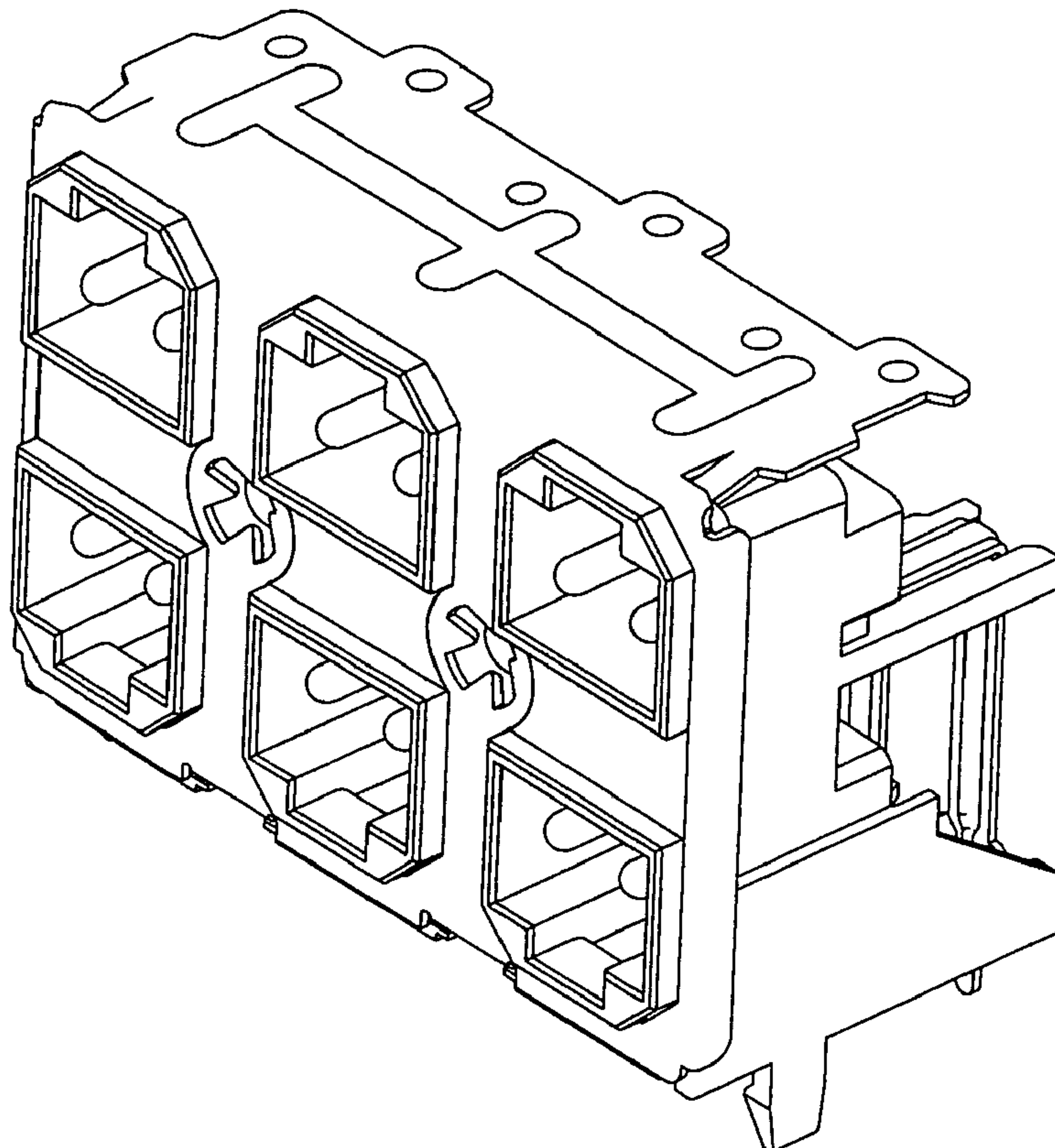
The broken line showing of the environment in FIG. 2 is for illustrative purpose only and forms no part of the claimed design.

(56) **References Cited**

U.S. PATENT DOCUMENTS

5,257,948	A *	11/1993	Peterson	439/571
D410,629	S *	6/1999	Bandura et al.	D13/147
6,135,822	A *	10/2000	Hwang	439/680
D491,892	S *	6/2004	Moriwake et al.	D13/147
D492,260	S *	6/2004	Spink, Jr.	D13/147
D543,149	S *	5/2007	Huang et al.	D13/147

1 Claim, 7 Drawing Sheets



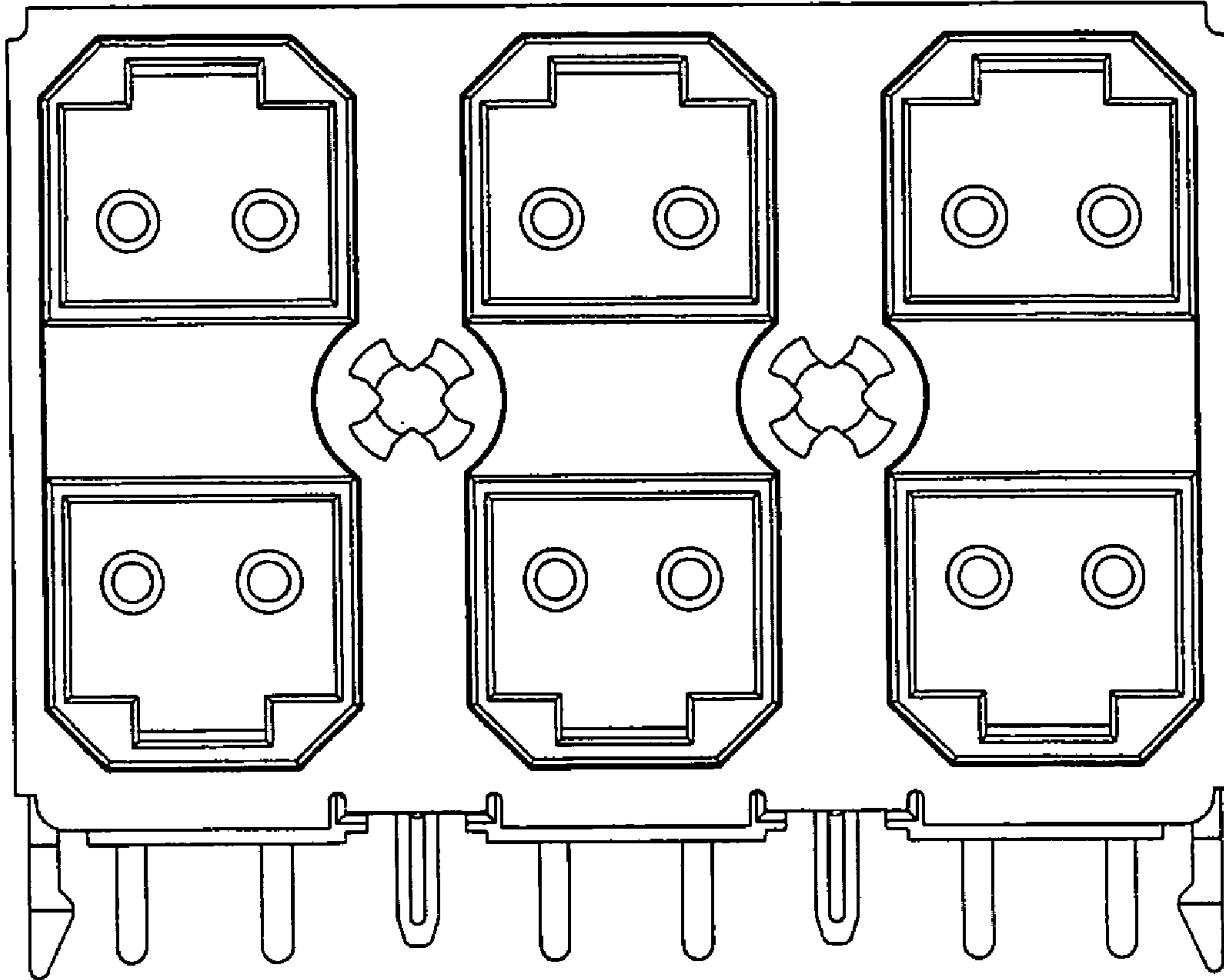


FIG. 1

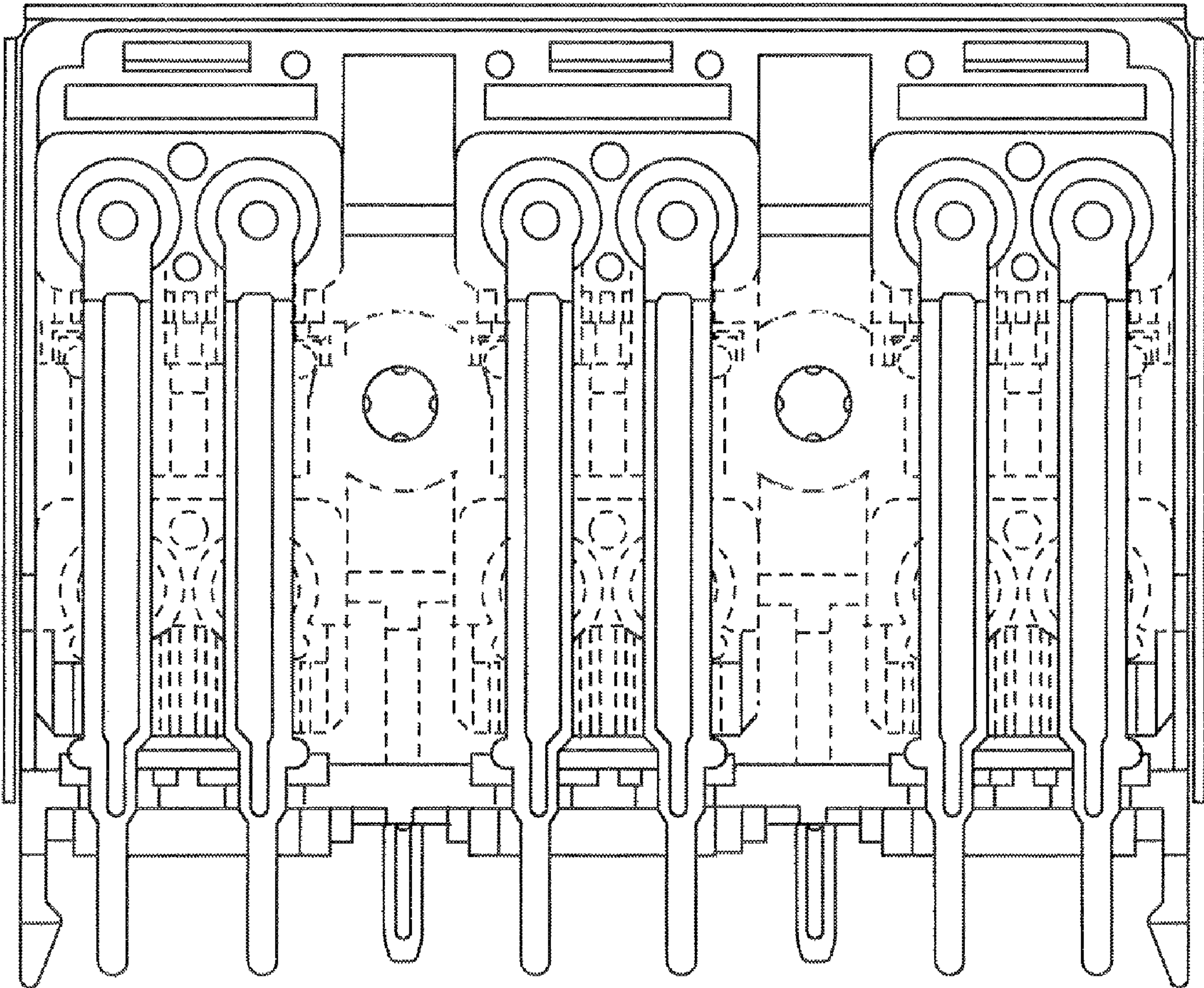


FIG. 2

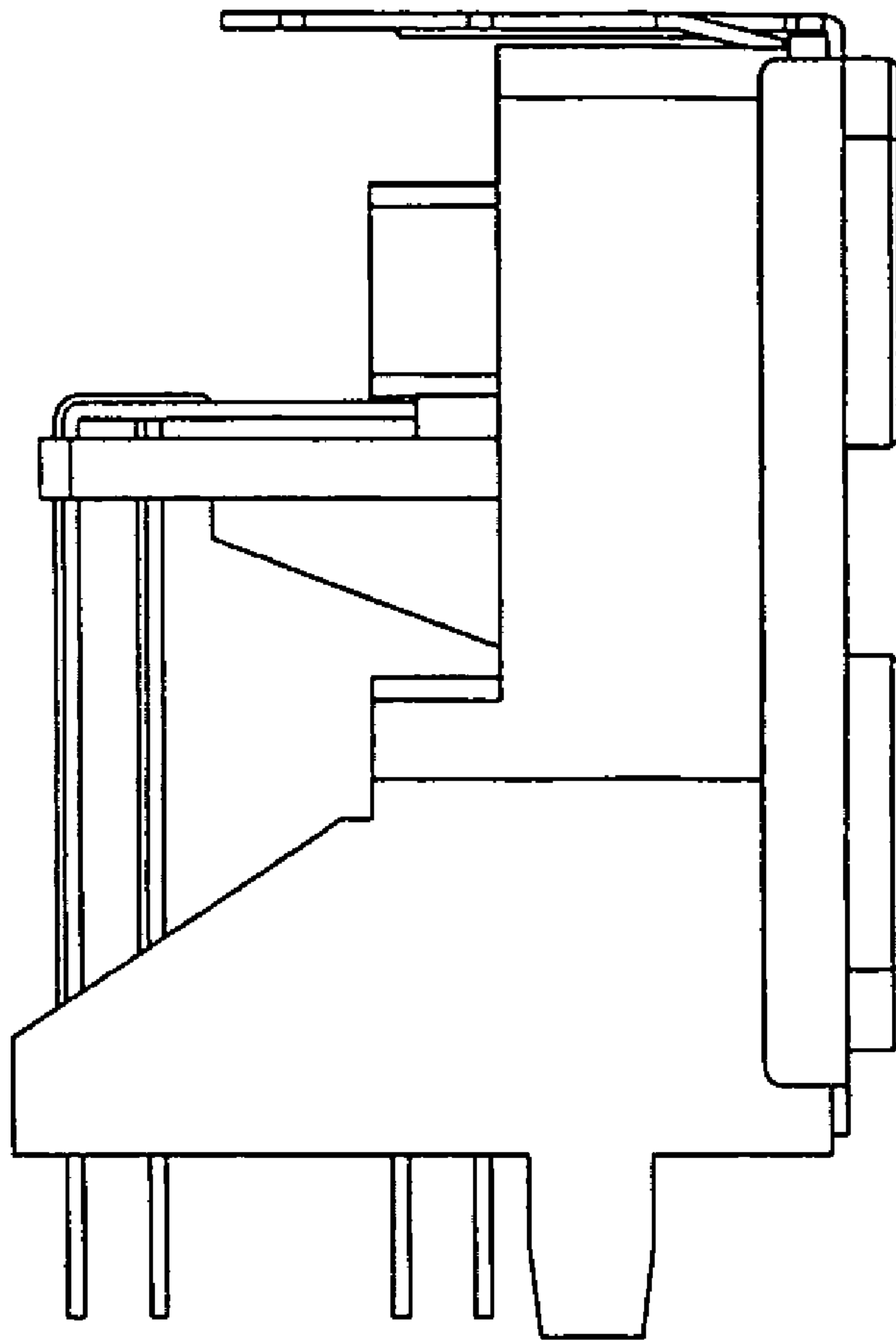


FIG. 3

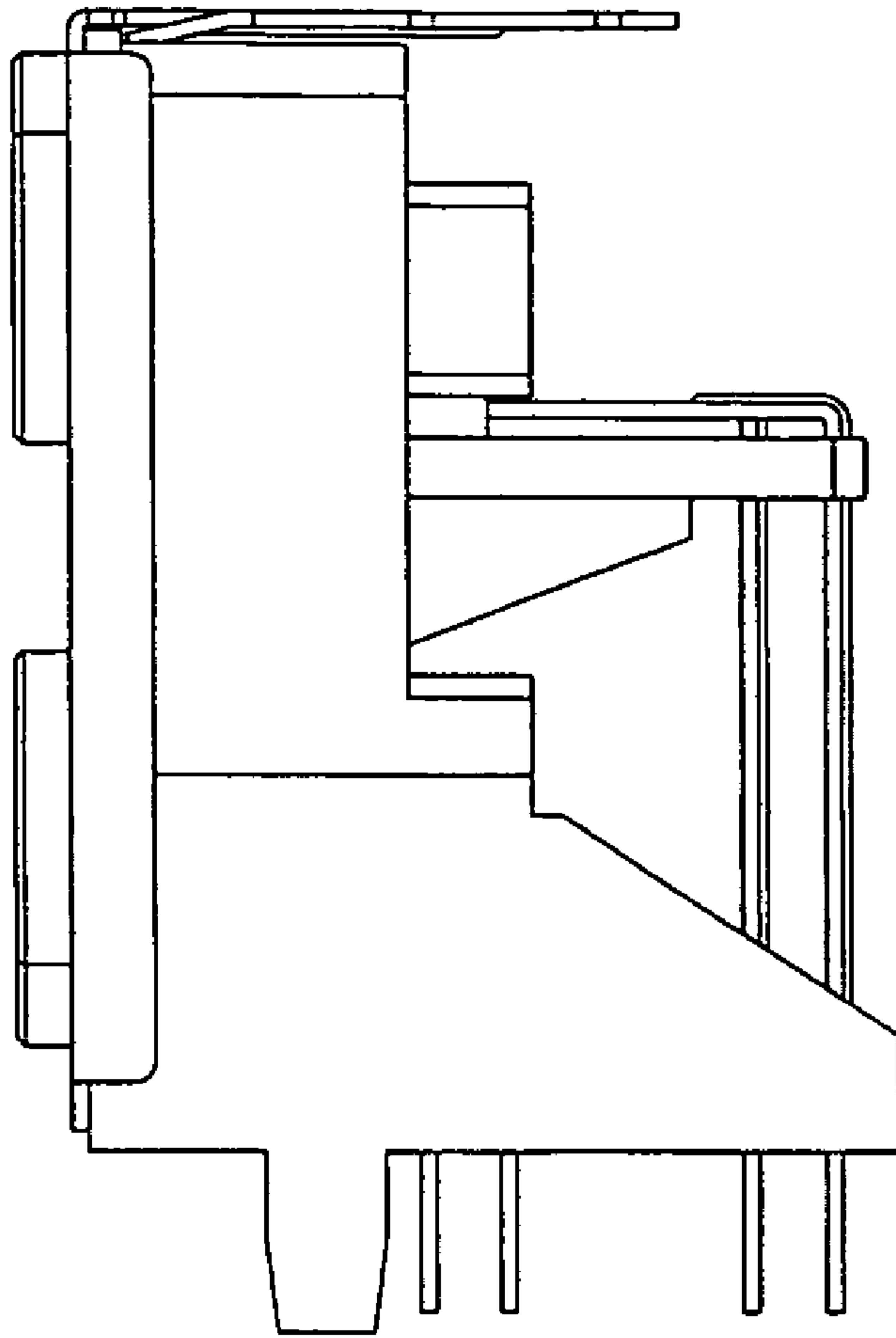


FIG. 4

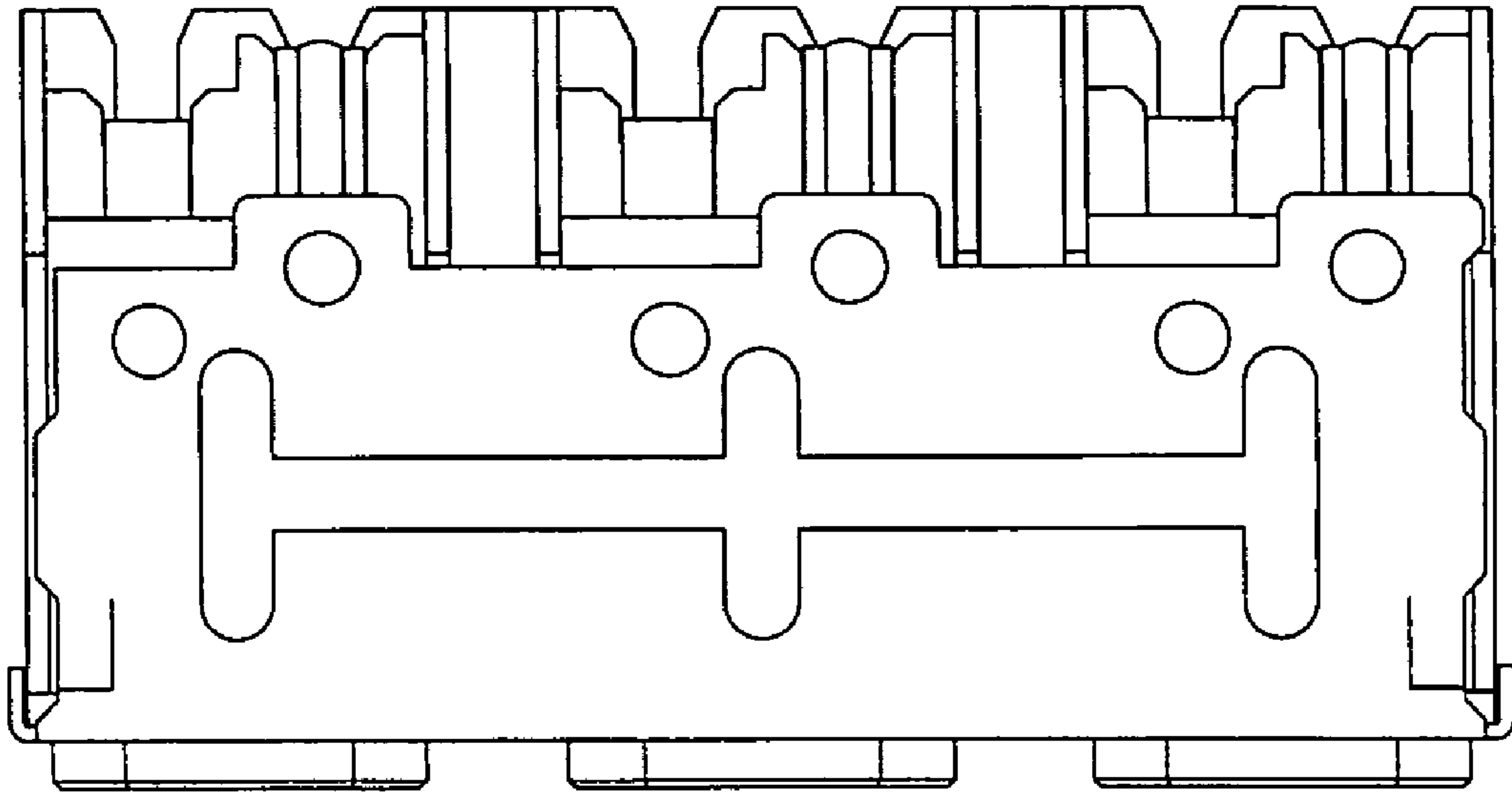


FIG. 5

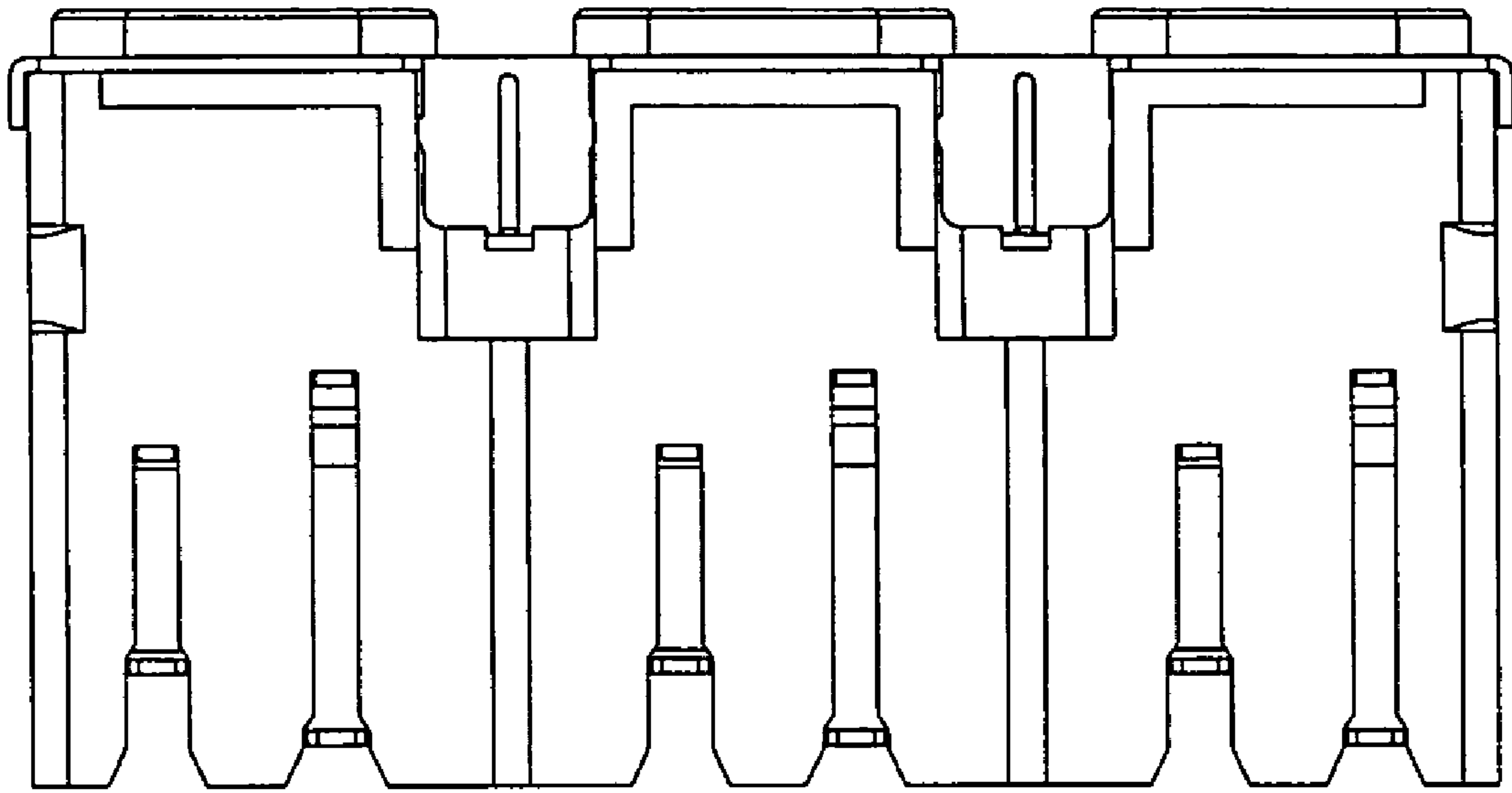


FIG. 6

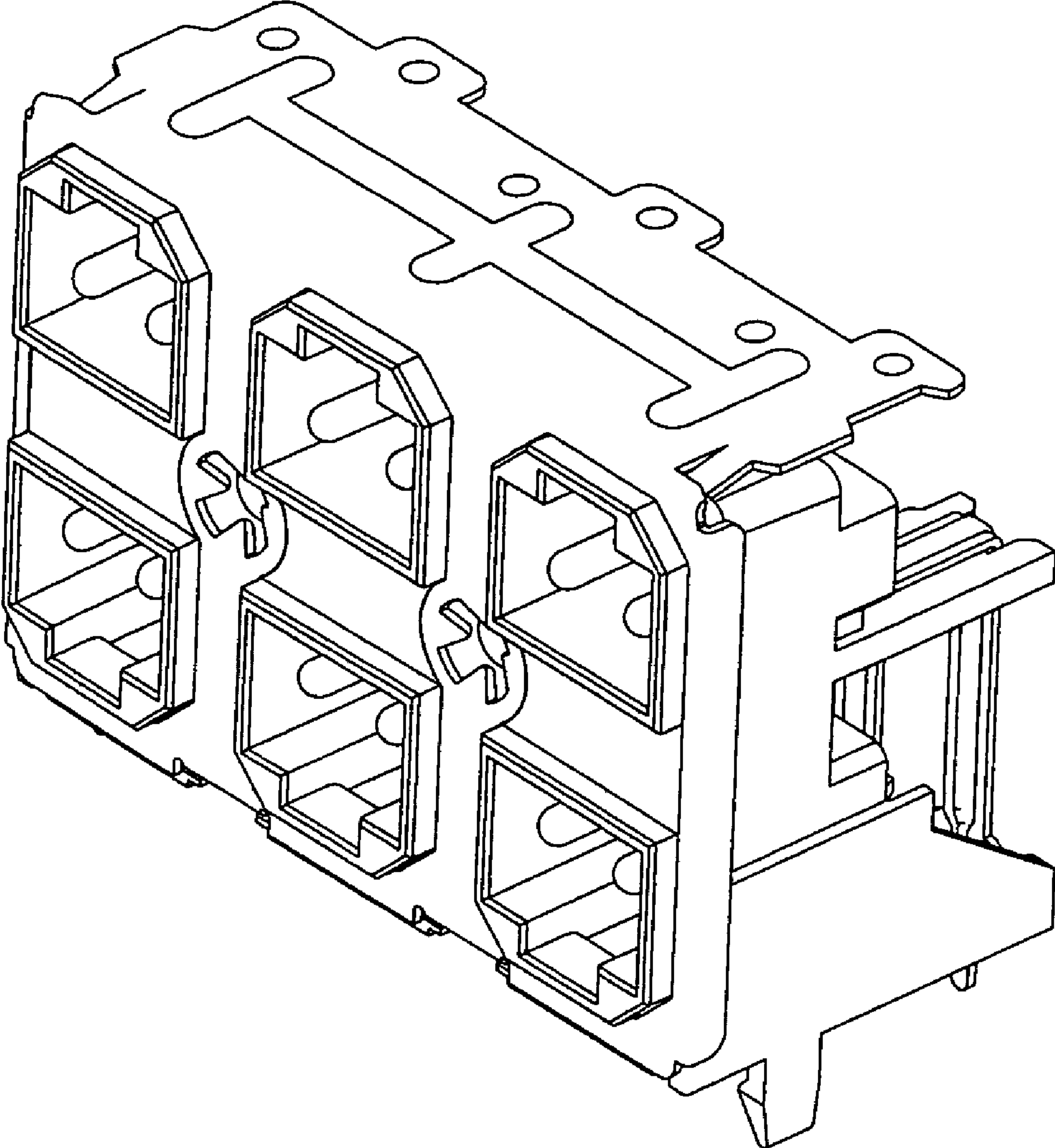


FIG. 7