



US00D598379S

(12) **United States Design Patent**
Wang

(10) **Patent No.:** **US D598,379 S**

(45) **Date of Patent:** **** Aug. 18, 2009**

(54) **ELECTRICAL CONNECTOR**

(75) Inventor: **Wen-Fang Wang**, ShenZhen (CN)

(73) Assignee: **Hon Hai Precision Ind. Co., Ltd.**,
Taipei Hsien (TW)

(**) Term: **14 Years**

(21) Appl. No.: **29/312,101**

(22) Filed: **Sep. 29, 2008**

(30) **Foreign Application Priority Data**

Apr. 30, 2008 (CN) 200830029661.2

(51) **LOC (9) Cl.** **13-03**

(52) **U.S. Cl.** **D13/133**

(58) **Field of Classification Search** D13/123,
D13/133, 146, 147, 184, 199; 439/357, 372,
439/359, 358, 76.1, 607, 608, 609; 361/728,
361/754, 759; 385/89, 92, 385

See application file for complete search history.

(56) **References Cited**

U.S. PATENT DOCUMENTS

D475,970 S * 6/2003 Li et al. D13/133
D478,868 S * 8/2003 Zarembo D13/123
D481,676 S * 11/2003 Huang D13/123
D524,735 S * 7/2006 Hung et al. D13/123

D556,130 S * 11/2007 Tajima et al. D13/119
D566,651 S * 4/2008 Chan et al. D13/123
D571,297 S * 6/2008 Nagata D13/147

* cited by examiner

Primary Examiner—Daniel D Bui

Assistant Examiner—Thomas J Johannes

(74) *Attorney, Agent, or Firm*—Wei Te Chung

(57) **CLAIM**

The ornamental design for an electrical connector, shown and described.

DESCRIPTION

FIG. 1 is a front, top and right side perspective view of an electrical connector, showing our new design;

FIG. 2 is a front elevation view thereof;

FIG. 3 is a rear elevation view thereof;

FIG. 4 is a left side elevation view thereof;

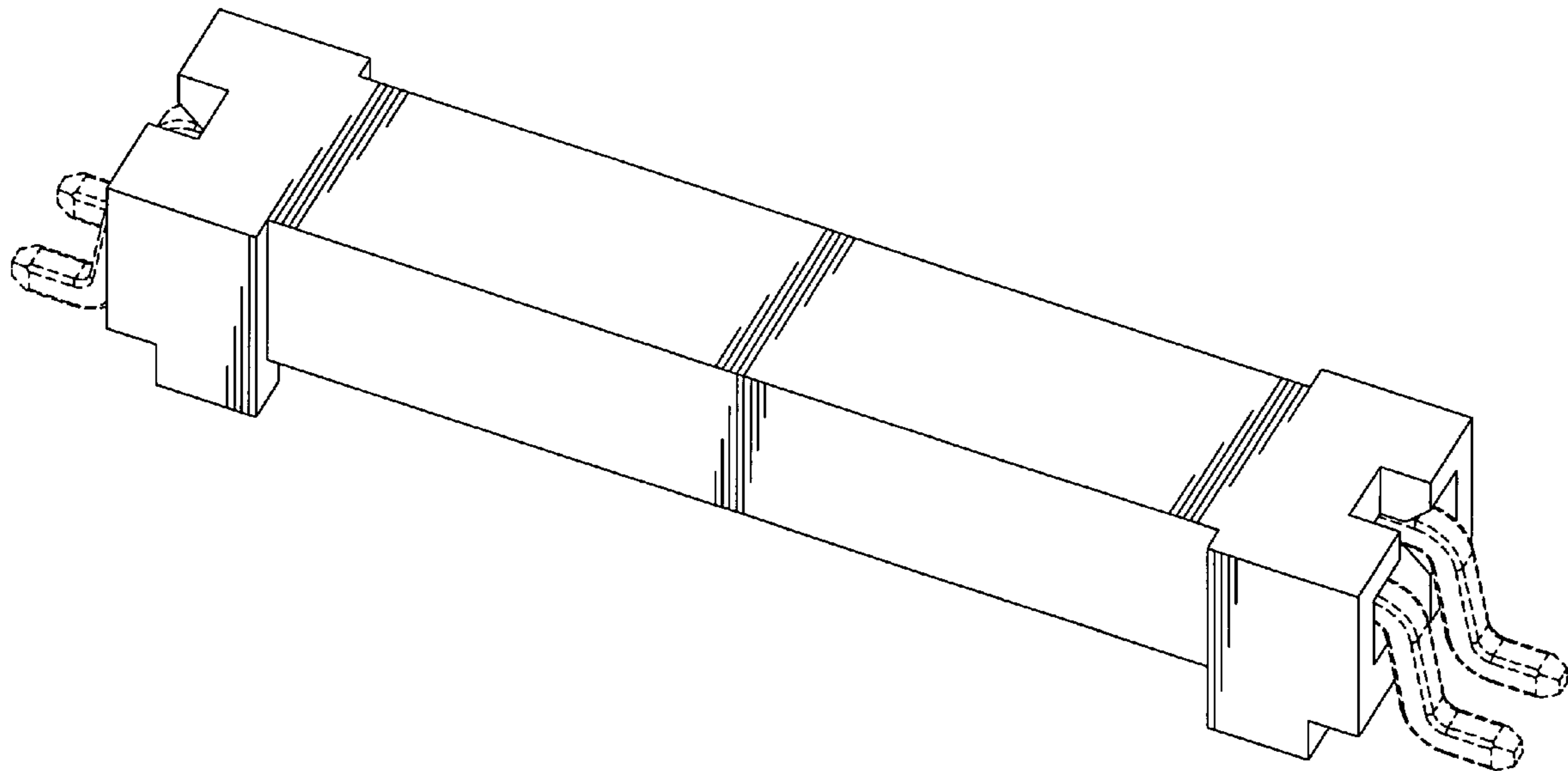
FIG. 5 is a right side elevation view thereof;

FIG. 6 is a top plan view thereof; and,

FIG. 7 is a bottom plan view thereof.

The broken line portion of the figure drawings is included to show unclaimed subject matter only and forms no part of the claimed design.

1 Claim, 7 Drawing Sheets



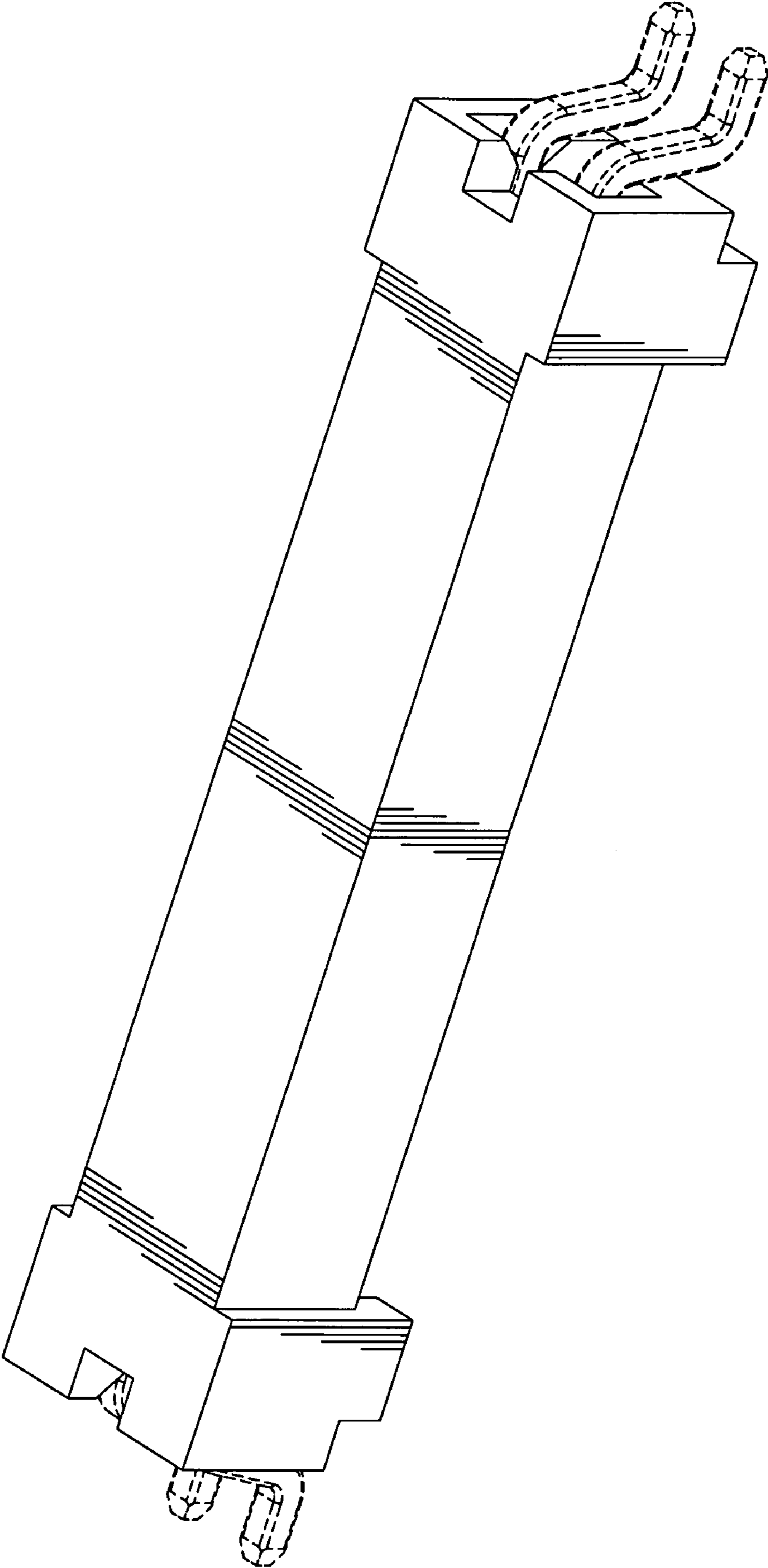


FIG. 1

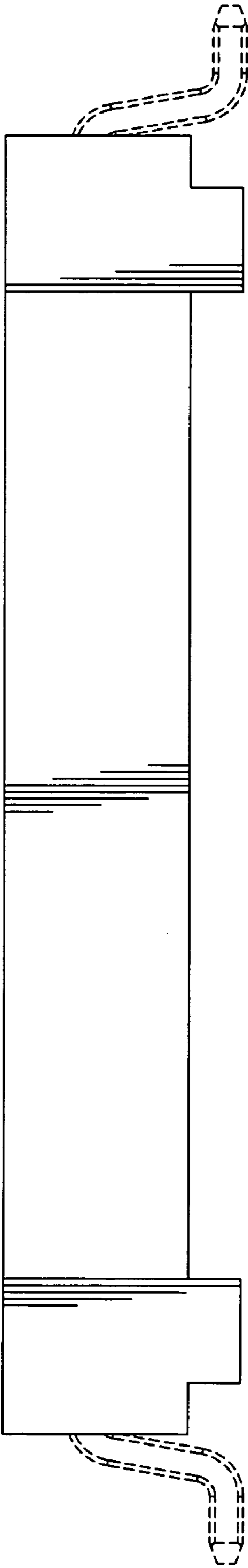


FIG. 2

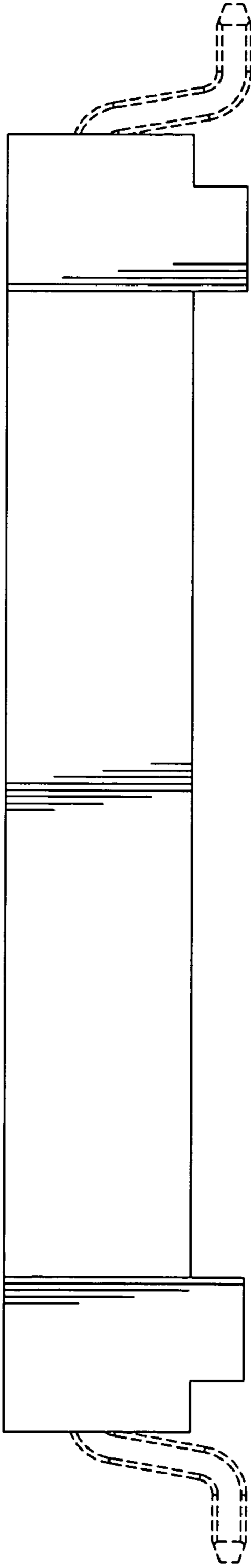


FIG. 3

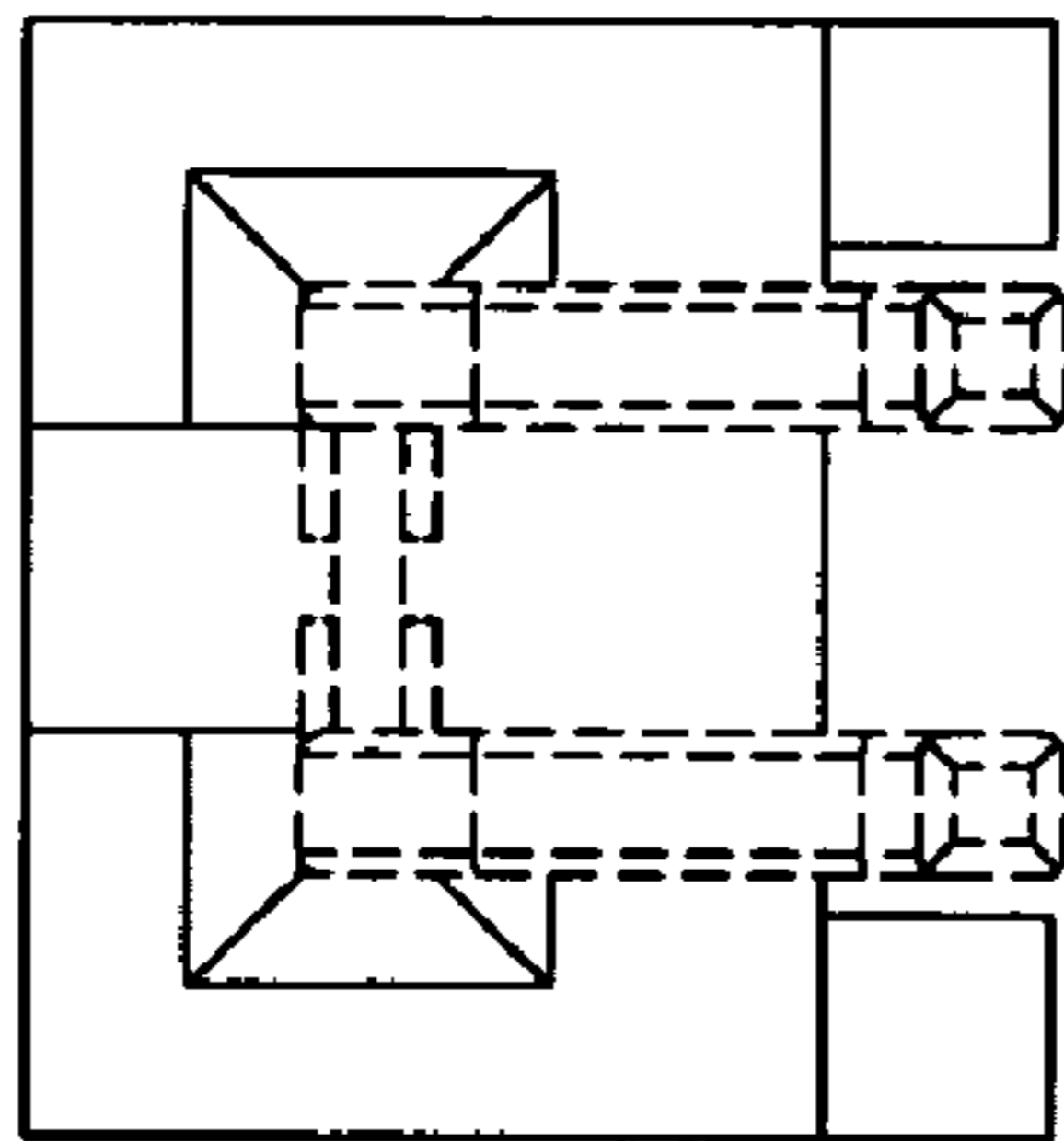


FIG. 4

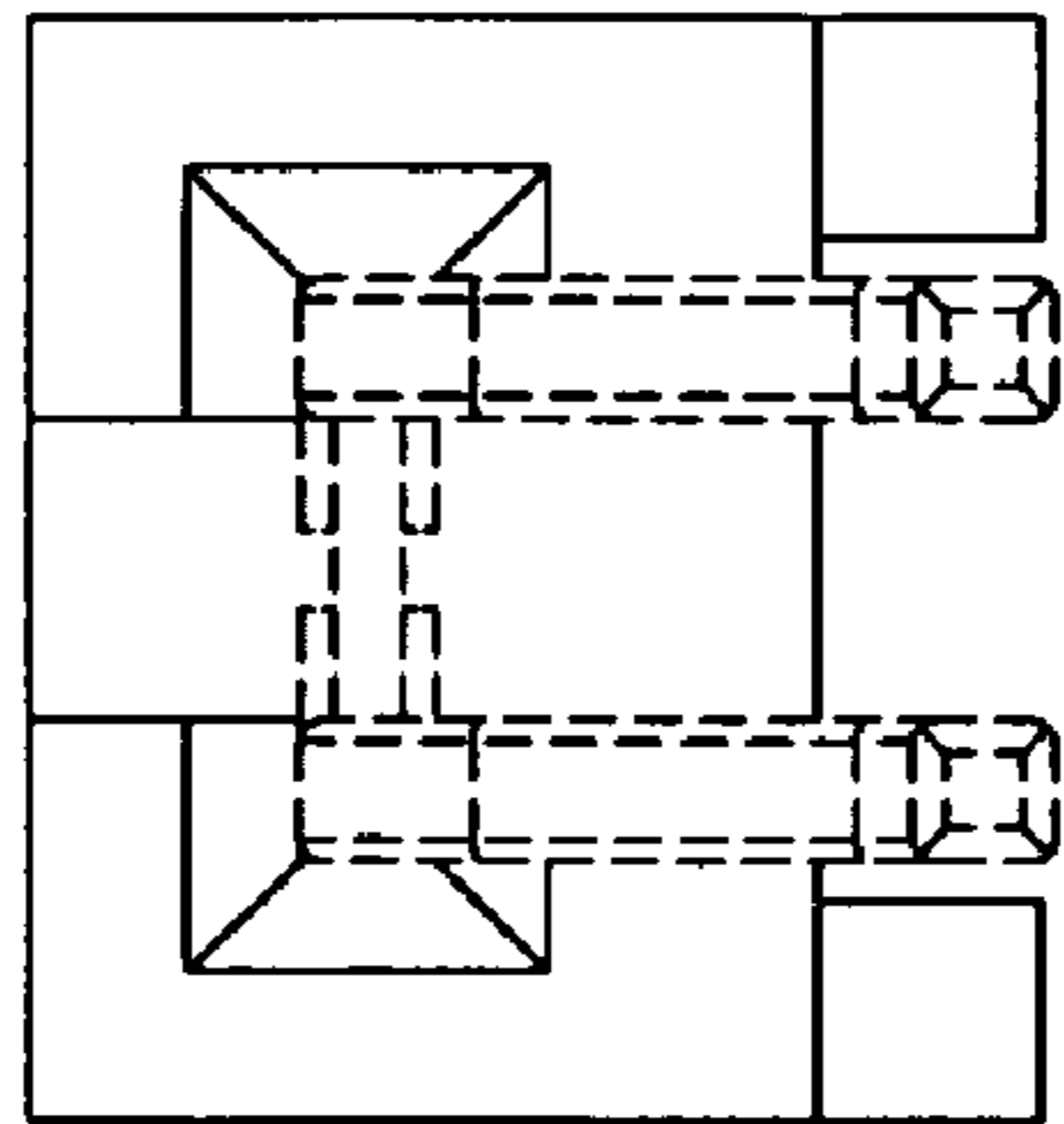


FIG. 5

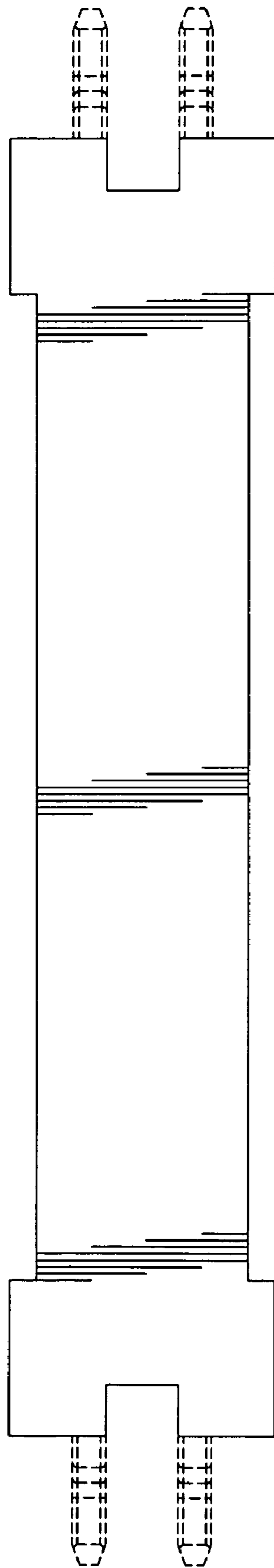


FIG. 6

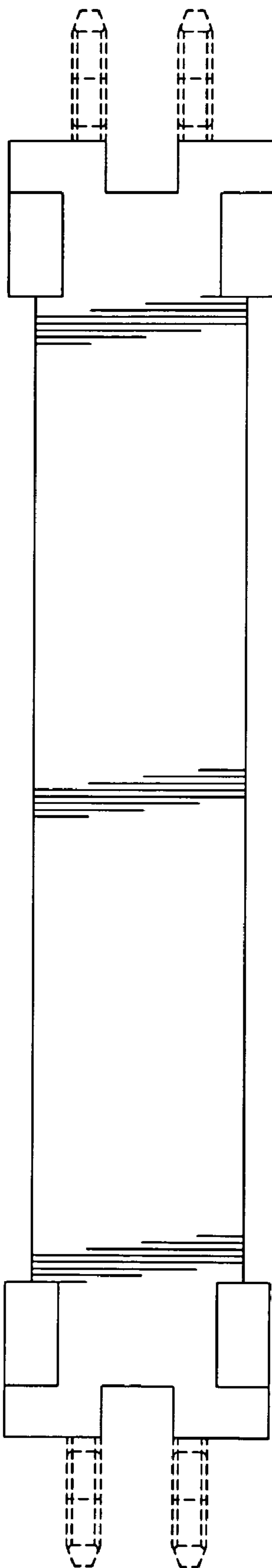


FIG. 7