

US00D598377S

(12) **United States Design Patent**  
**Lannoch**

(10) **Patent No.:** **US D598,377 S**

(45) **Date of Patent:** **\*\* Aug. 18, 2009**

(54) **HOUSING FOR MOTOR ELECTRONICS**

(75) Inventor: **Hans-Juergen Lannoch,**  
Linkenheim-Hochstetten (DE)

(73) Assignee: **Sew-Eurodrive GmbH & Co. KG,**  
Bruchsal (DE)

(\*\*) Term: **14 Years**

(21) Appl. No.: **29/323,966**

(22) Filed: **Sep. 3, 2008**

(30) **Foreign Application Priority Data**

Mar. 4, 2008 (DE) ..... 40 2008 001 260

(51) **LOC (9) Cl.** ..... **13-01**

(52) **U.S. Cl.** ..... **D13/122**

(58) **Field of Classification Search** ..... D13/122,  
D13/112, 113, 114, 118, 184, 199; D15/3,  
D15/5, 199; 310/10, 40 R, 42, 51, 58, 85,  
310/89, 91, 109, 236, 239, 254; 318/245,  
318/255

See application file for complete search history.

(56) **References Cited**

**U.S. PATENT DOCUMENTS**

D137,665	S *	4/1944	Heintz	.....	D13/113
D207,401	S *	4/1967	Andrews et al.	.....	D13/114
D236,985	S *	9/1975	Baumann	.....	D13/114
D245,498	S *	8/1977	Andreas	.....	D13/112
4,244,098	A *	1/1981	Barcus	.....	29/596
D310,816	S *	9/1990	Sawato et al.	.....	D13/112
D314,742	S *	2/1991	Sieber	.....	D13/114
D336,890	S *	6/1993	Hirose et al.	.....	D13/112
5,543,671	A *	8/1996	Williams	.....	310/71
D386,744	S *	11/1997	Urvoy	.....	D13/112

D424,516	S *	5/2000	Friedrichsen	.....	D13/112
D492,252	S *	6/2004	Su	.....	D13/112
D525,195	S *	7/2006	Palese	.....	D13/112

\* cited by examiner

*Primary Examiner*—Prabhakar Deshmukh

*Assistant Examiner*—Derrick Holland

(74) *Attorney, Agent, or Firm*—Kenyon & Kenyon LLP

(57) **CLAIM**

The ornamental design for a housing for motor electronics, as shown and described.

**DESCRIPTION**

The present application is related to U.S. Design patent application Ser. No. 29/323,964, entitled “Motor,” which is being filed in the United States Patent and Trademark Office on the even date herewith, and the present application is related to U.S. Design patent application Ser. No. 29/323,967, entitled “Housing Cover,” which is being filed in the United States Patent and Trademark Office on the even date herewith.

FIG. 1 is a perspective view of a housing for motor electronics showing my new design;

FIG. 2 is a front view thereof;

FIG. 3 is a left side view thereof;

FIG. 4 is a rear view thereof;

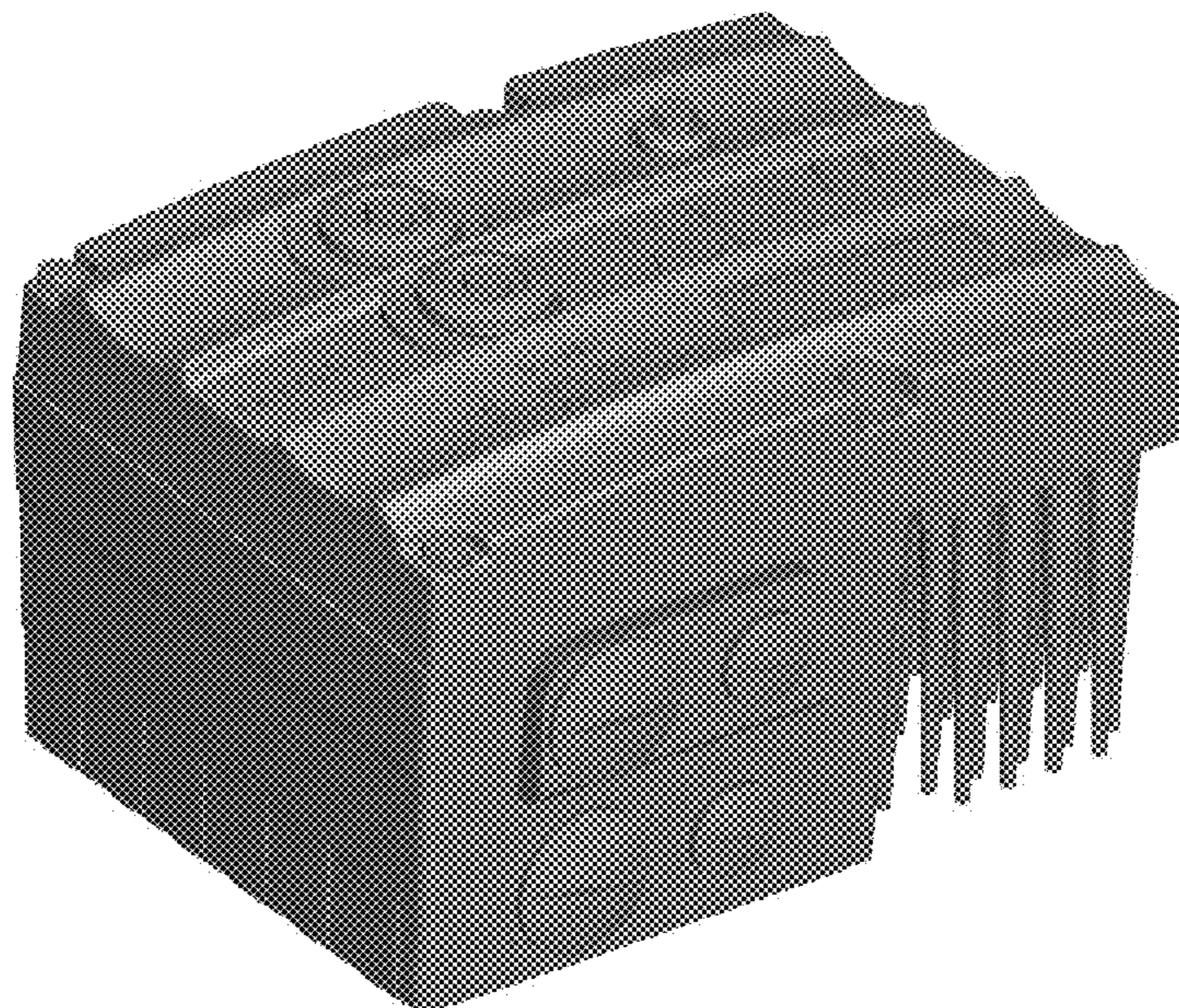
FIG. 5 is a right side view thereof;

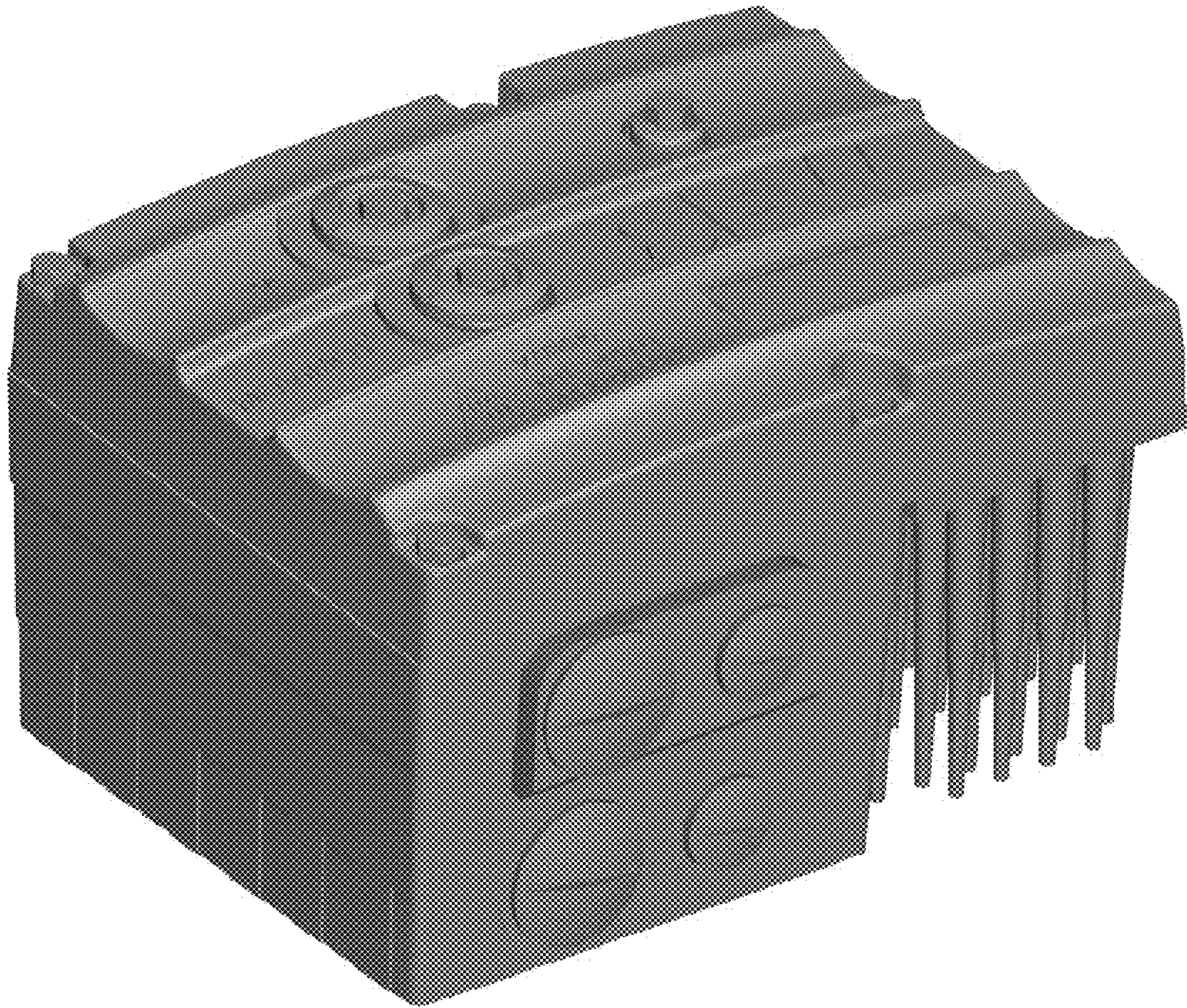
FIG. 6 is a top view thereof; and,

FIG. 7 is a bottom view thereof.

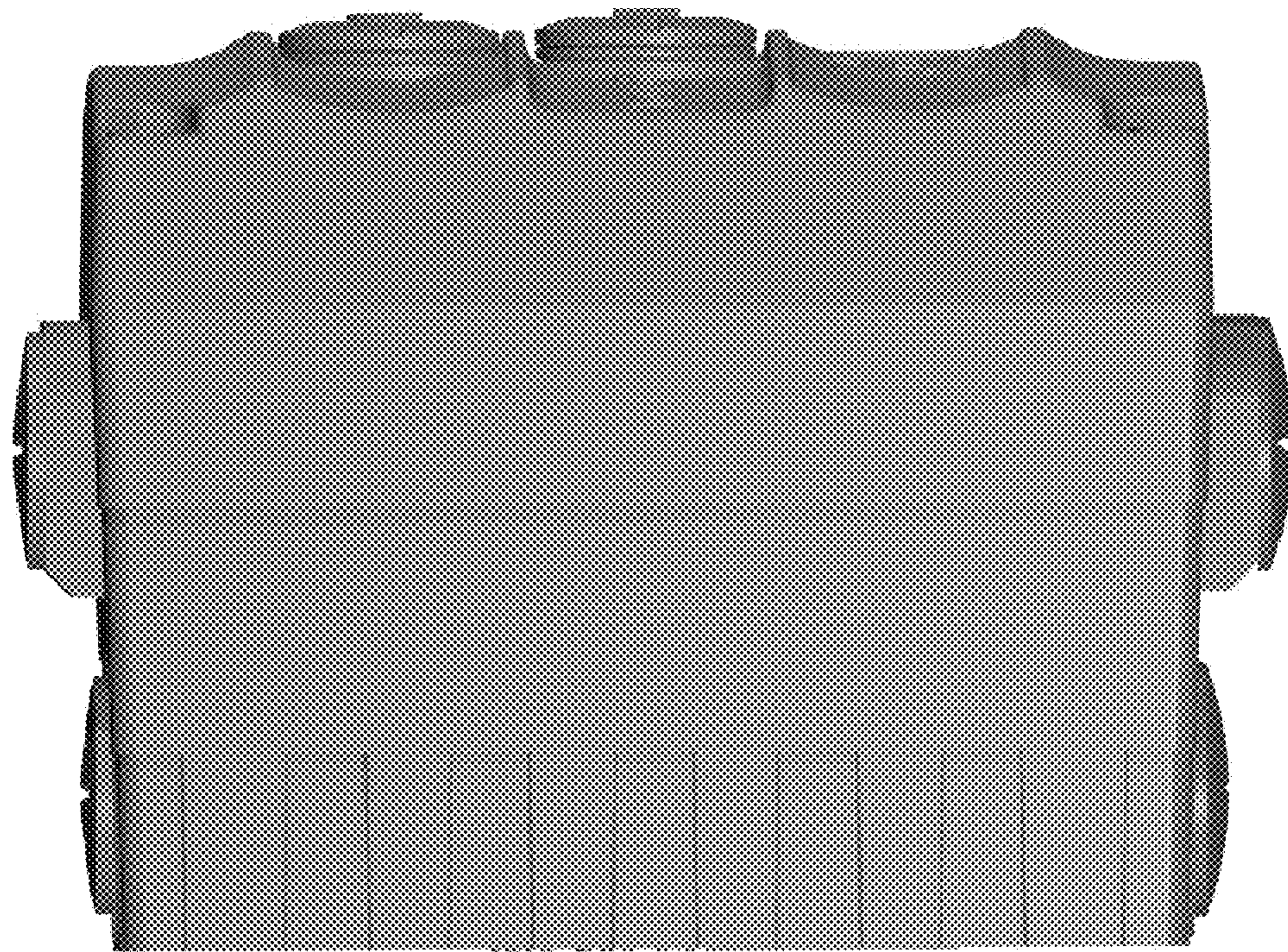
The Figures include an illustration of the logo, “SEW,” and other written matter, which is shown for illustrative purposes and forms no part of the claimed design.

**1 Claim, 7 Drawing Sheets**

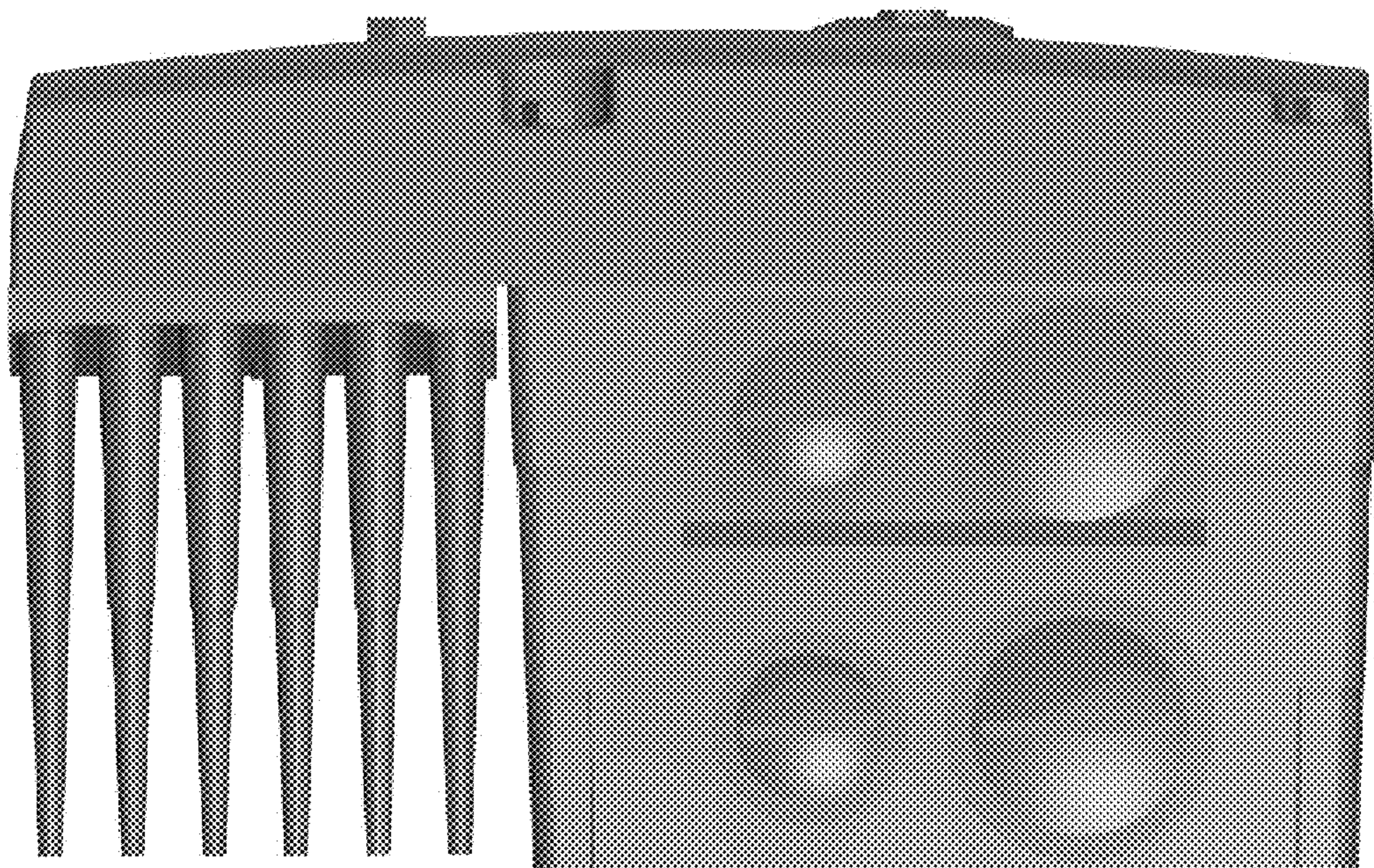




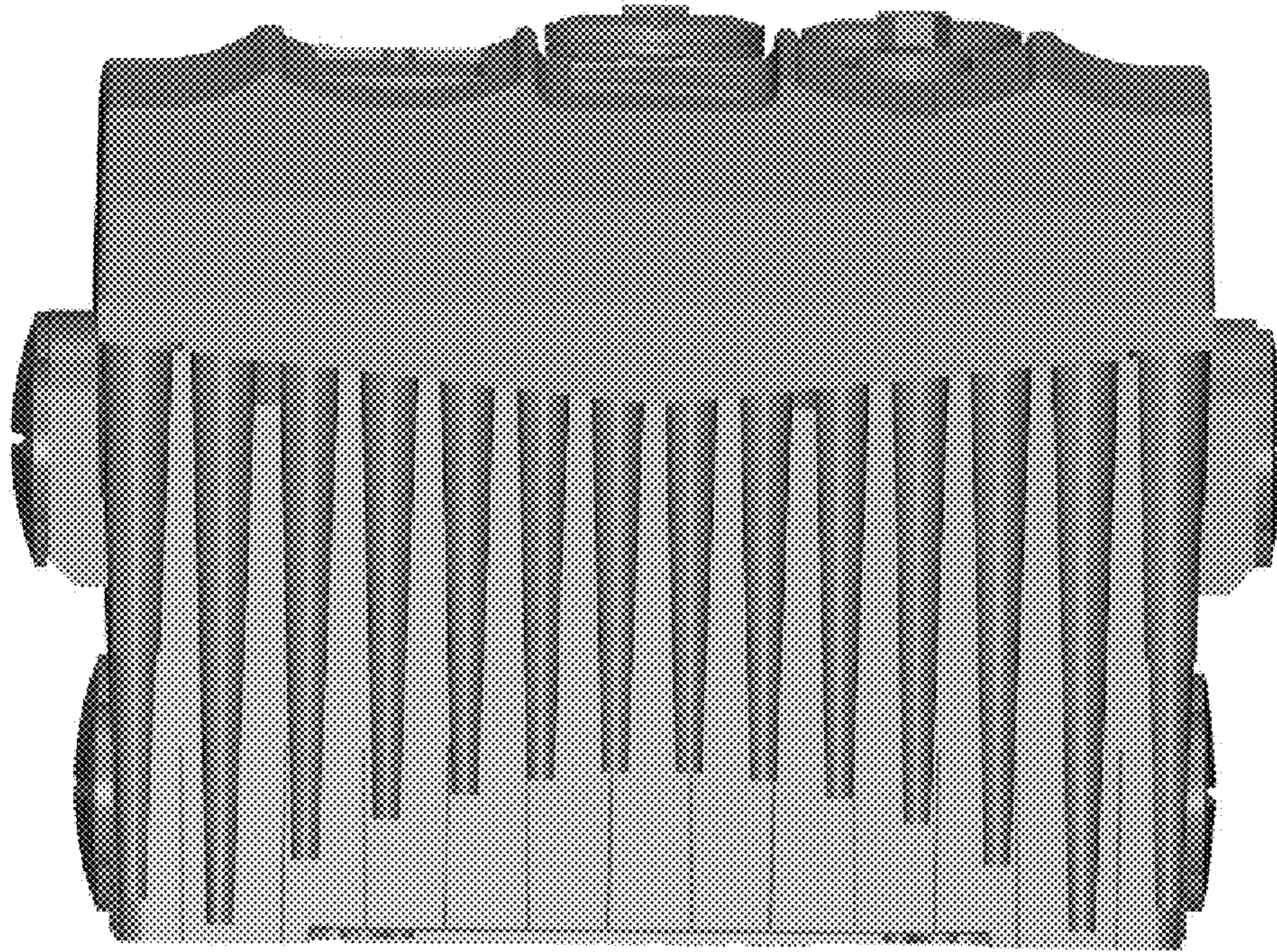
**Fig. 1**



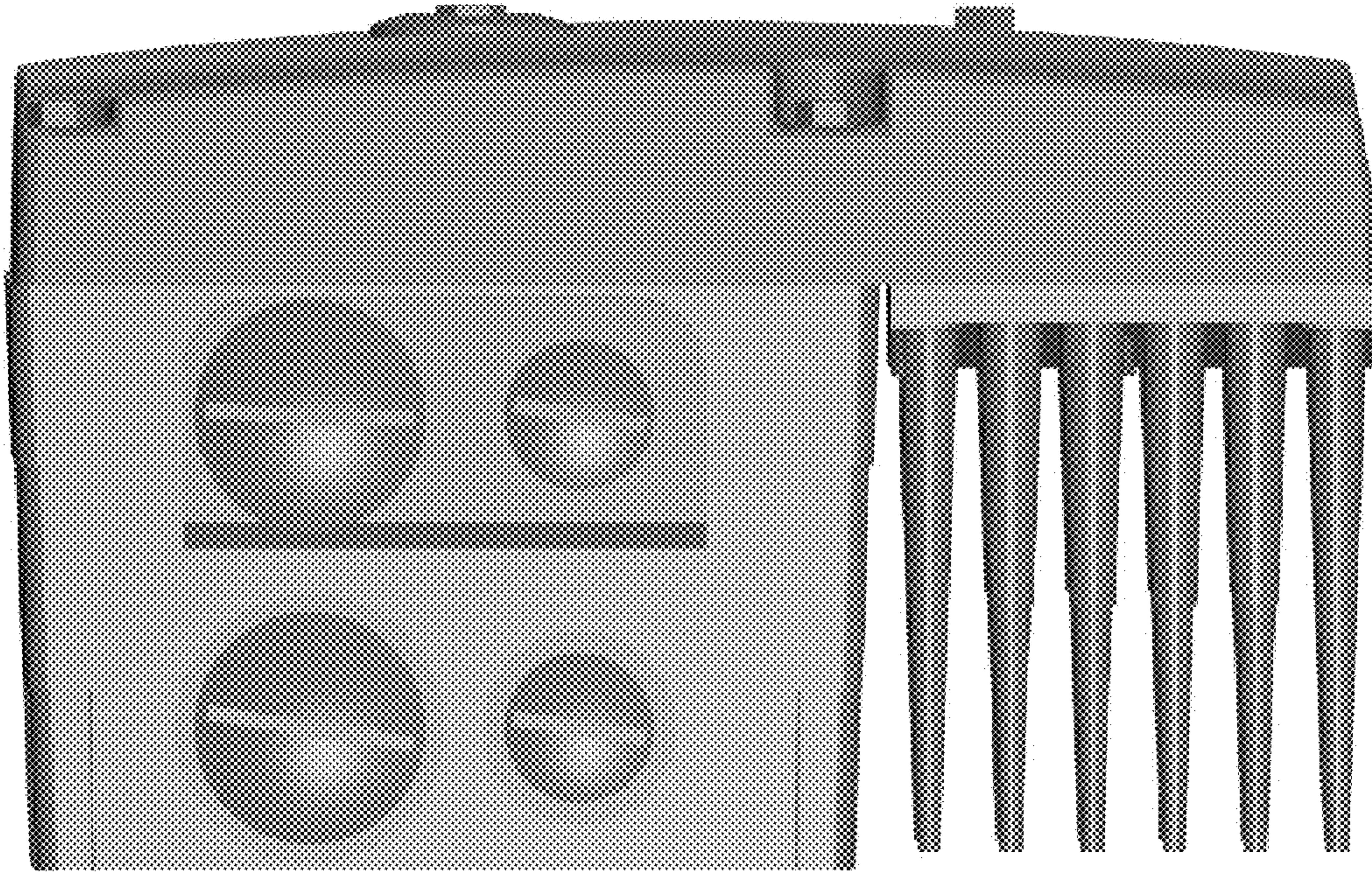
**Fig. 2**



**Fig. 3**



**Fig. 4**



**Fig. 5**

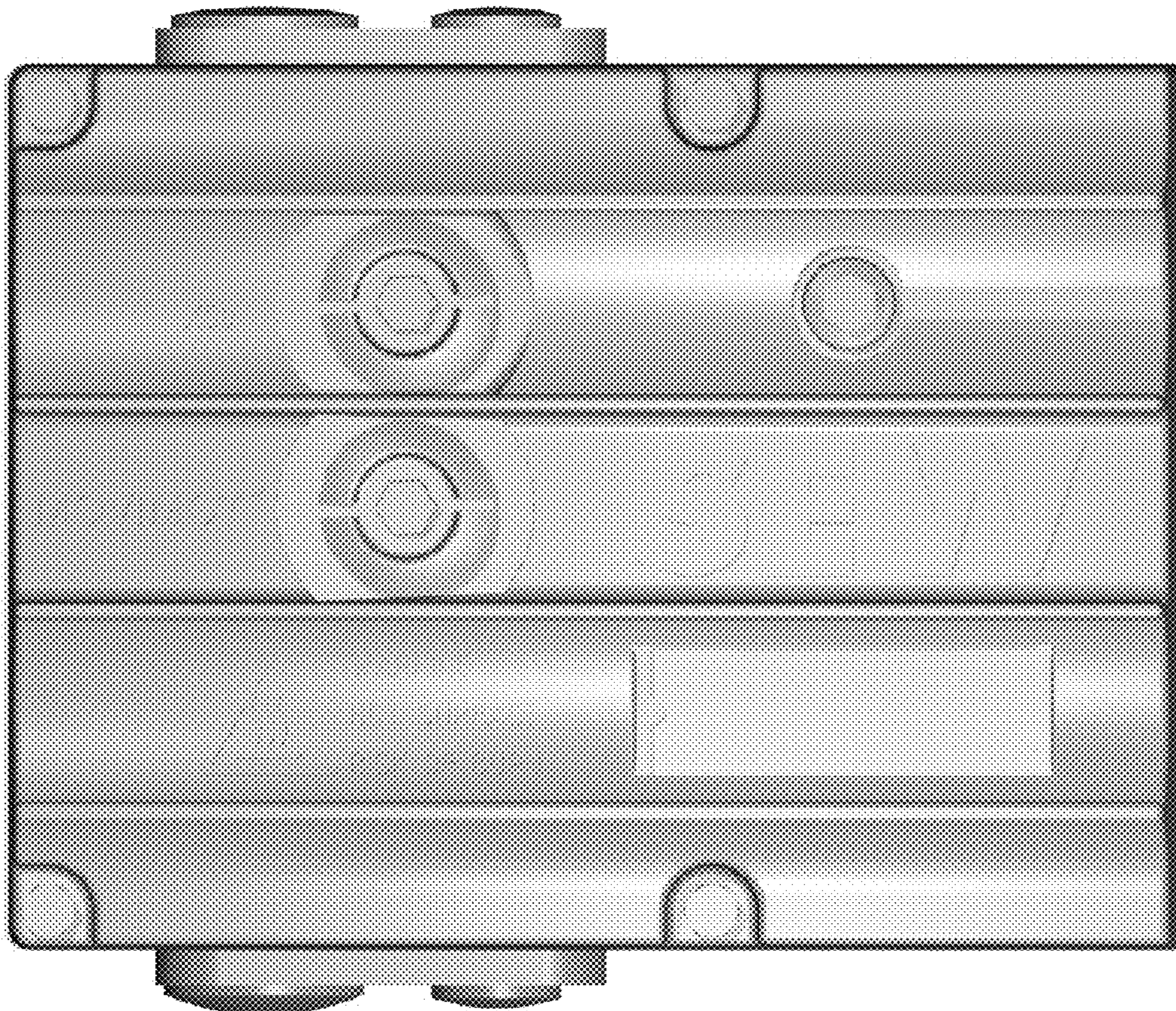


Fig. 6

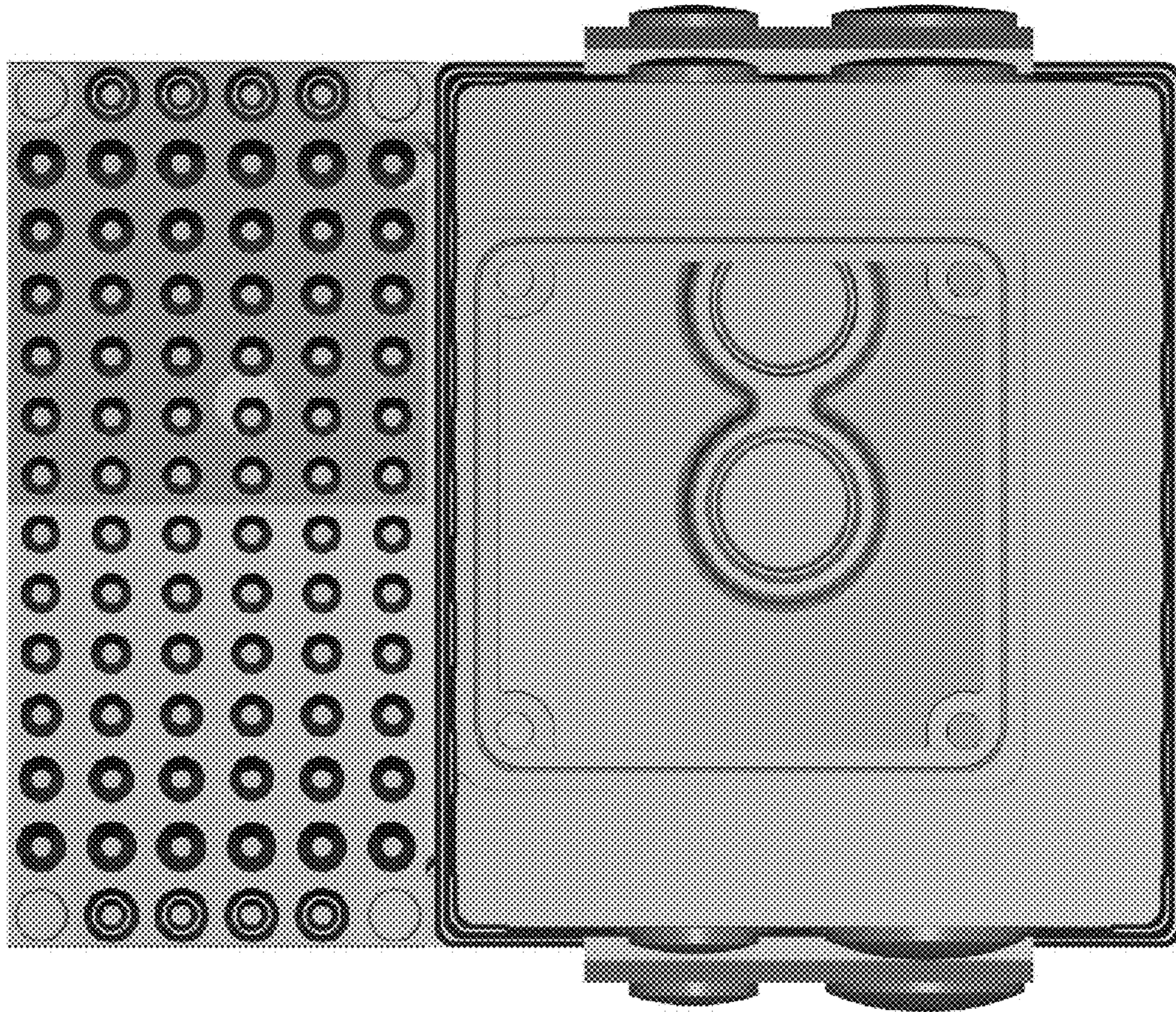


Fig. 7