



US00D598376S

(12) **United States Design Patent**  
**Cheung et al.**

(10) **Patent No.:** **US D598,376 S**

(45) **Date of Patent:** **\*\* Aug. 18, 2009**

(54) **WIND GENERATOR**

D511,495 S \* 11/2005 Okubo et al. .... D13/115

(75) Inventors: **Kem Cheng Cheung**, Hong Kong (CN);  
**Tommy Cheung**, Hong Kong (CN)

\* cited by examiner

*Primary Examiner*—Prabhakar Deshmukh

*Assistant Examiner*—Derrick Holland

(73) Assignee: **Autotek Products Limited**, Kowloon,  
Hong Kong (CN)

(74) *Attorney, Agent, or Firm*—Alix, Yale & Ristas, LLP

(\*\*) Term: **14 Years**

(57) **CLAIM**

(21) Appl. No.: **29/313,290**

The ornamental design for a wind generator, as shown and described.

(22) Filed: **Dec. 23, 2008**

**DESCRIPTION**

(51) **LOC (9) Cl.** ..... **13-01**

FIG. 1 is a front perspective view of a wind generator showing our new design;

(52) **U.S. Cl.** ..... **D13/115**

FIG. 2 is a front perspective view thereof in an extended position;

(58) **Field of Classification Search** ..... D13/115,  
D13/101, 199; D15/1, 199; 290/54, 55;  
416/23, 24, 31, 37, 38, 51, 132 B, 132 R,  
416/142, 143, 151, 176, 196 A, 197 A

FIG. 3 is a front view thereof;

FIG. 4 is a rear view thereof;

See application file for complete search history.

FIG. 5 is a left side view thereof;

FIG. 6 is a right side view thereof;

(56) **References Cited**

**U.S. PATENT DOCUMENTS**

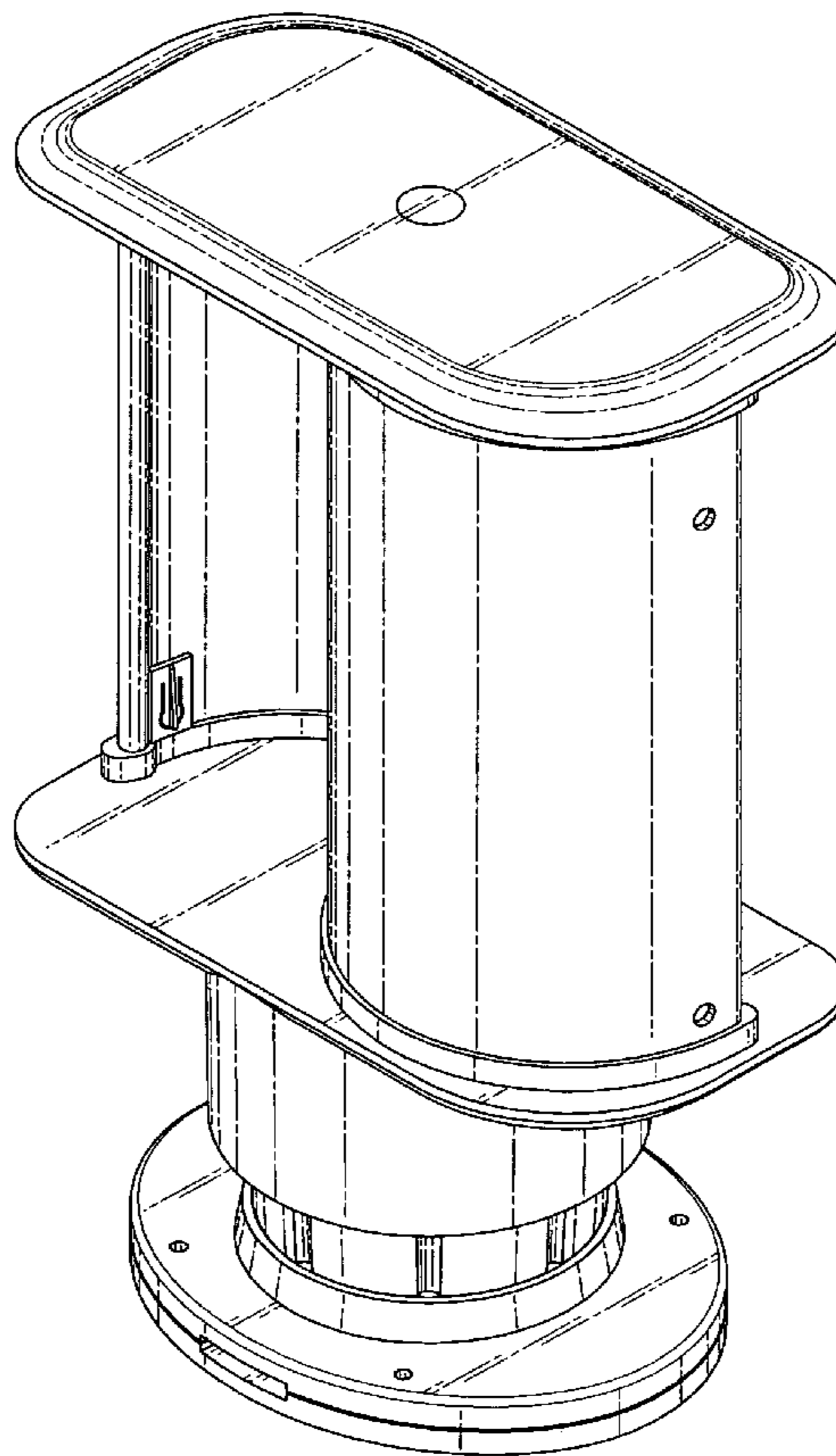
- 4,520,273 A \* 5/1985 Rowe ..... 290/54
- D285,446 S \* 9/1986 Lachapelle ..... D15/1
- D305,419 S \* 1/1990 Korneski ..... D13/115
- D374,656 S \* 10/1996 Richardson ..... D13/115
- 6,345,957 B1 \* 2/2002 Szpur ..... 416/197 A
- D511,323 S \* 11/2005 Kato et al. .... D13/115

FIG. 7 is a top plan view thereof; and,

FIG. 8 is a bottom plan view thereof.

The broken line elements shown in FIGS. 3, 4, and 8 represent unclaimed subject matter and form no part of the claim.

**1 Claim, 7 Drawing Sheets**



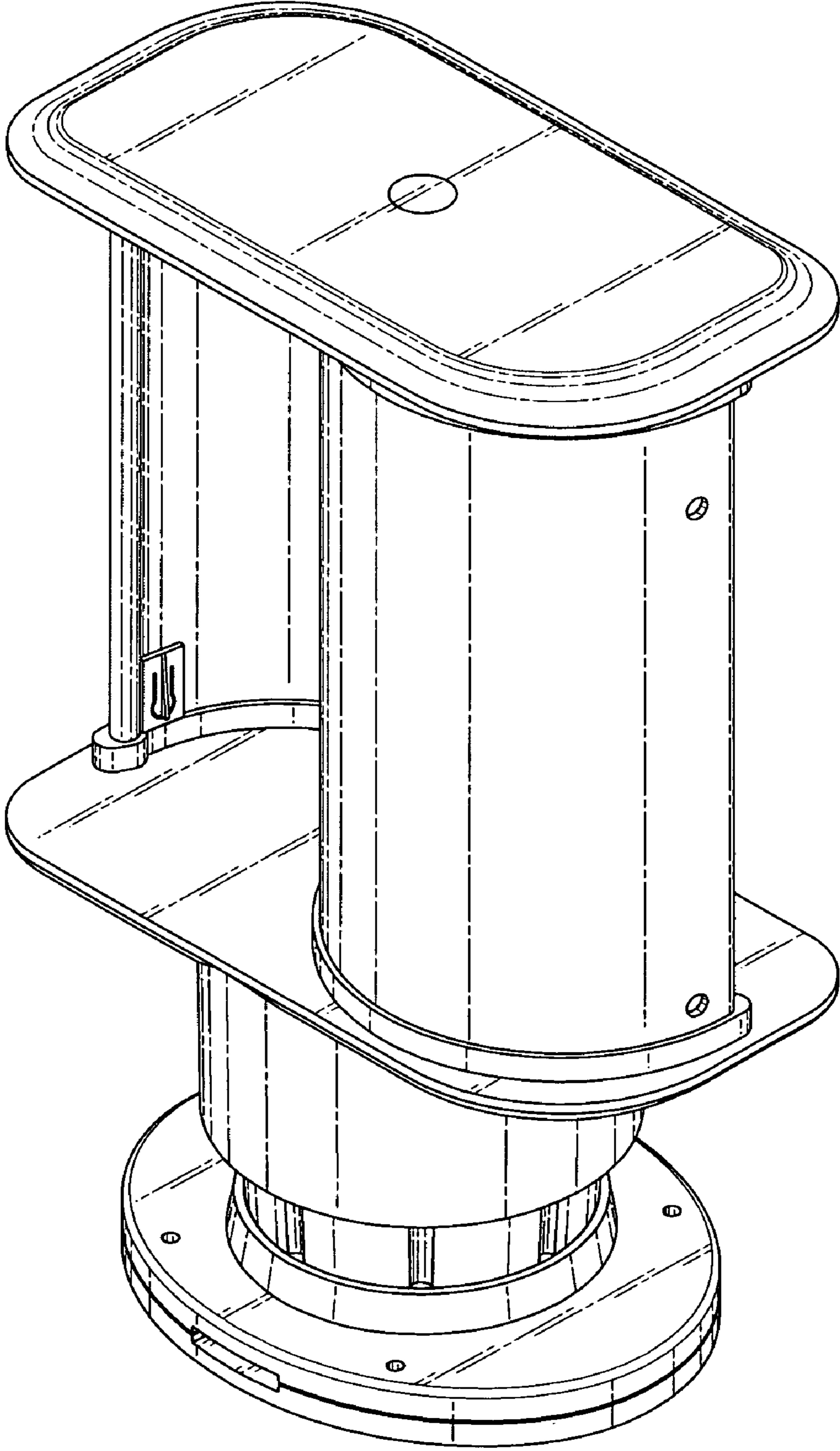


FIG. 1

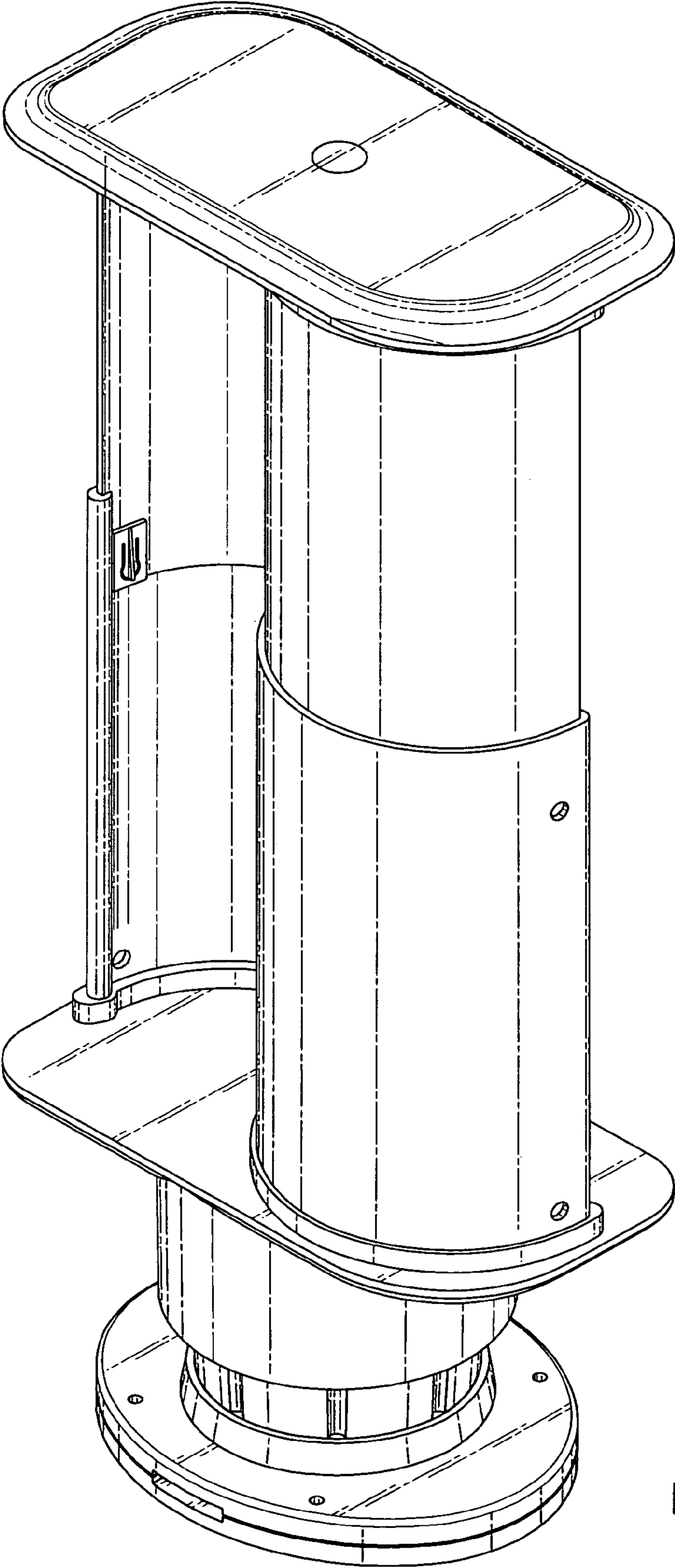


FIG. 2

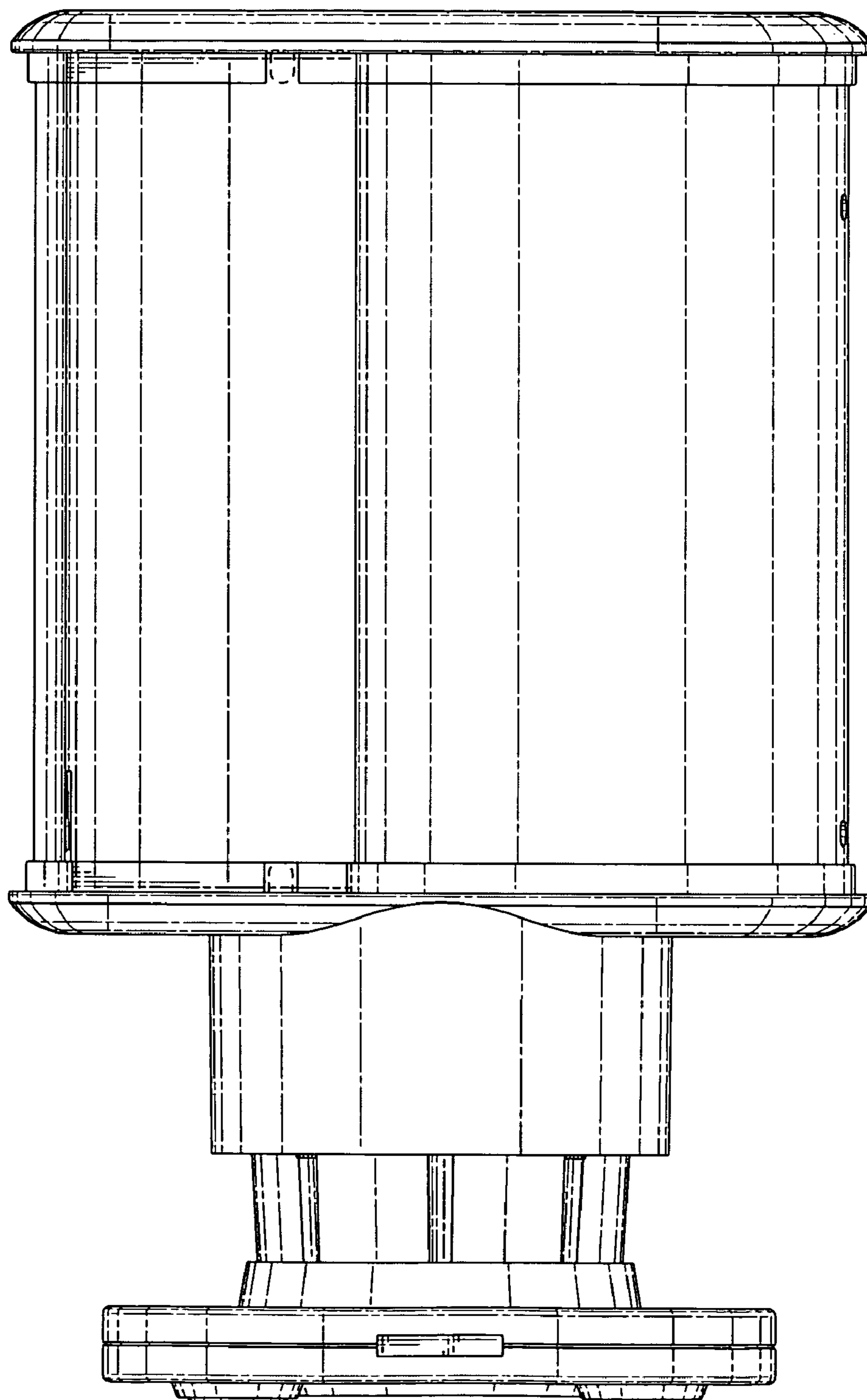


FIG. 3

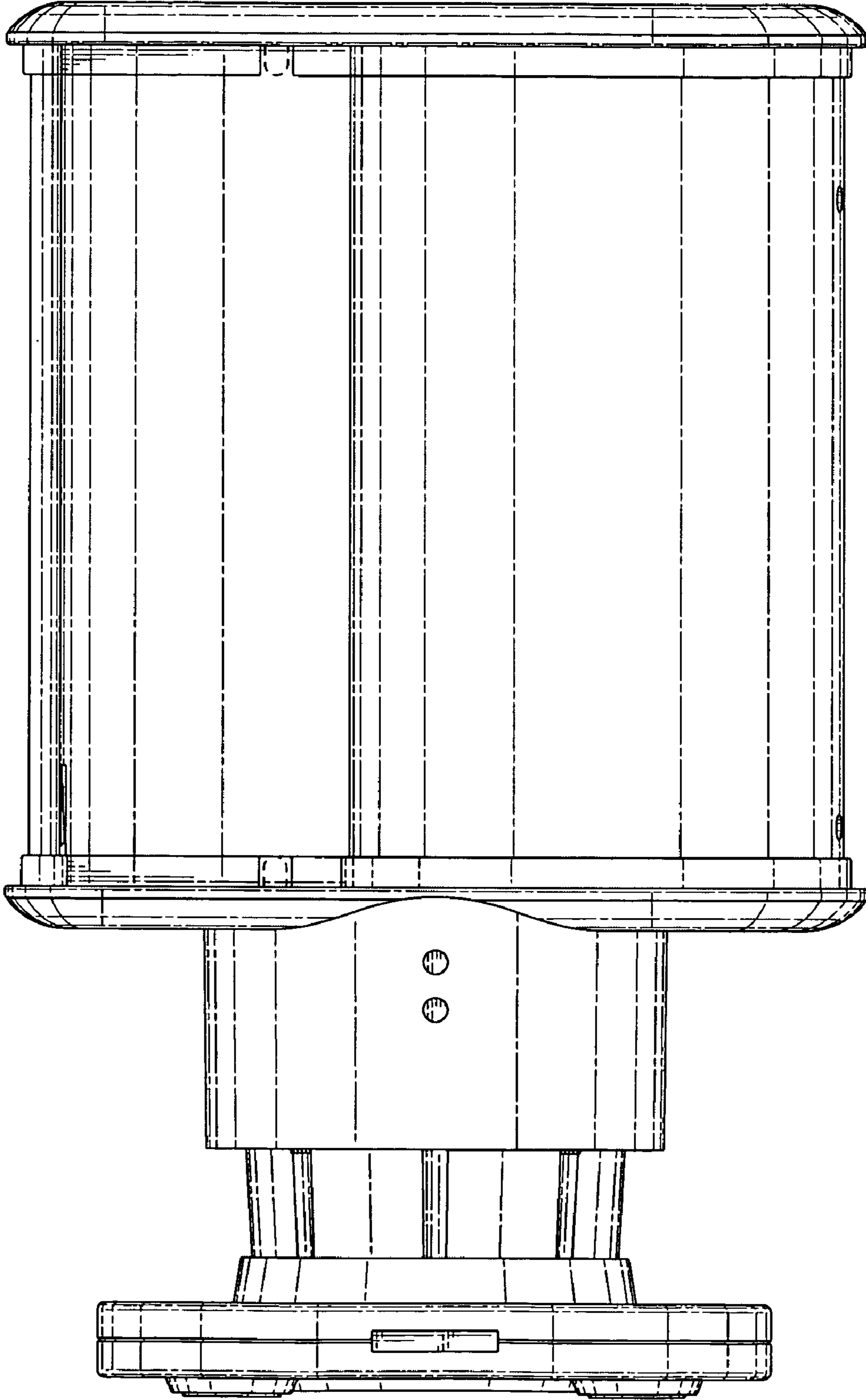


FIG. 4

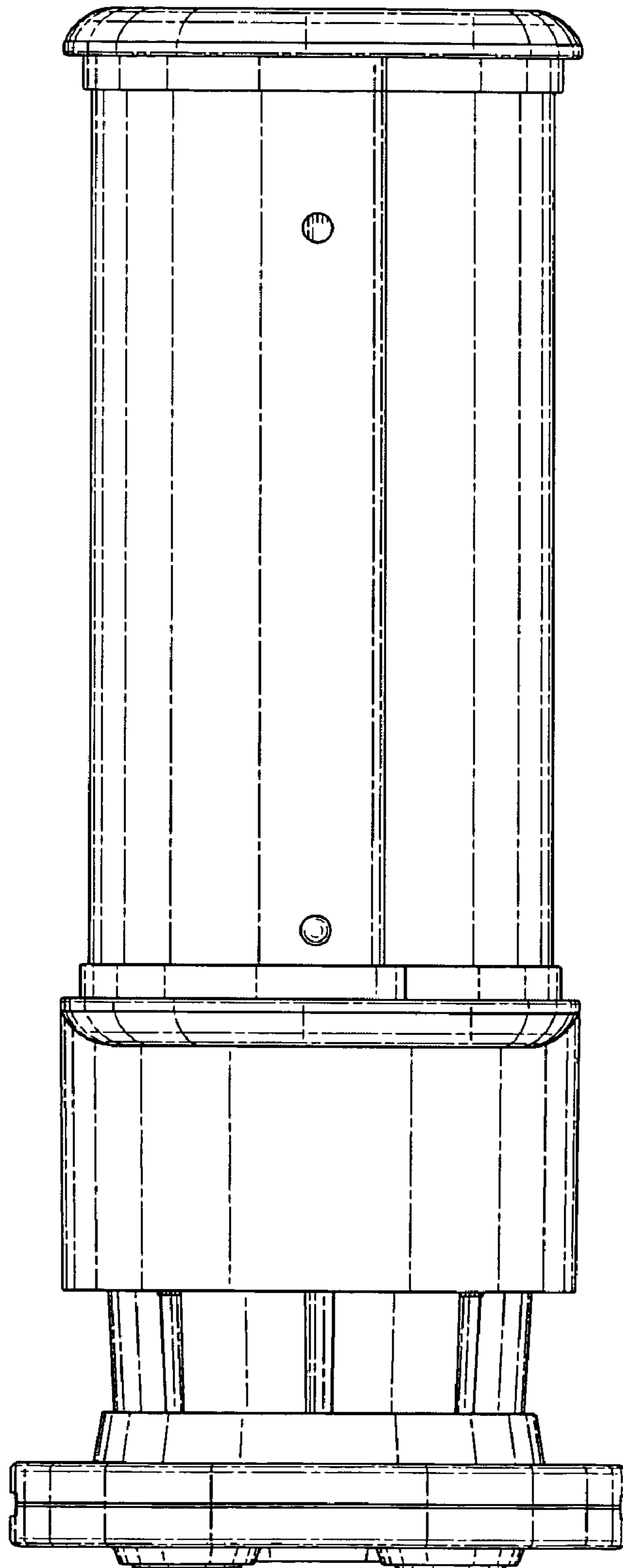


FIG. 5

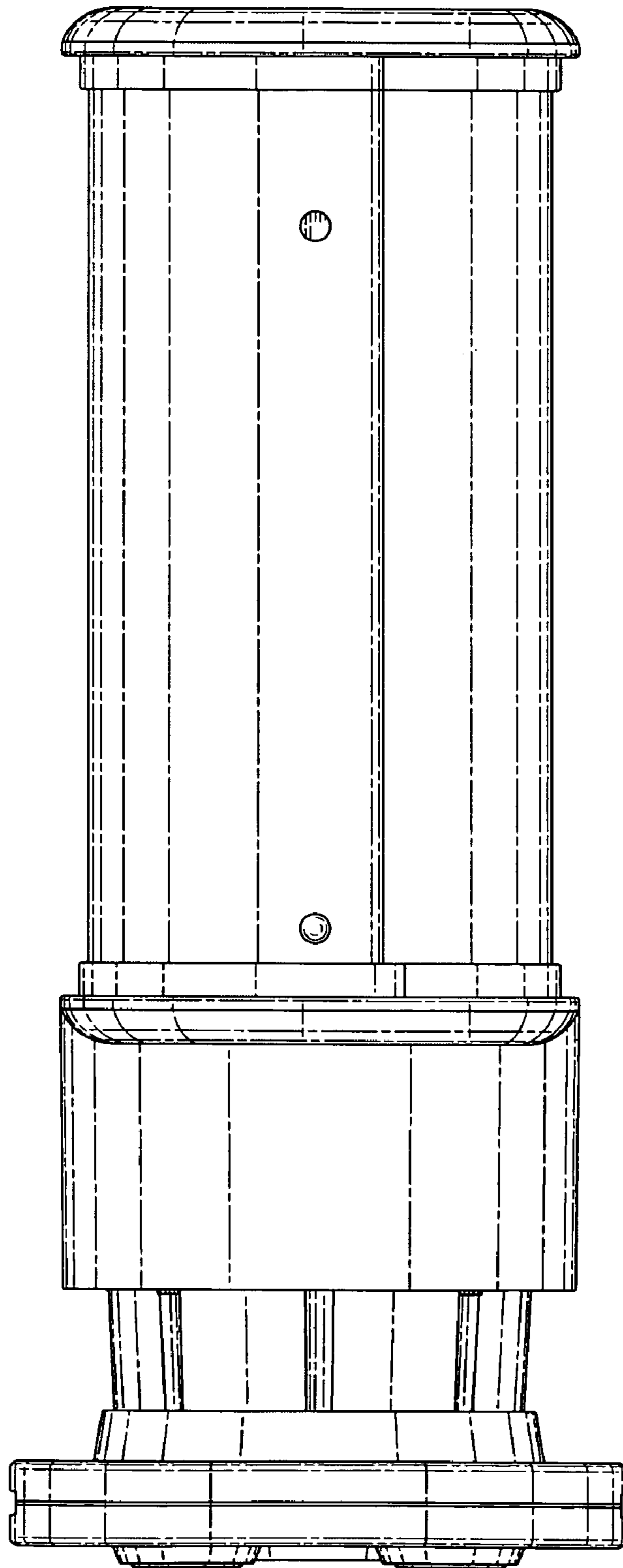


FIG. 6

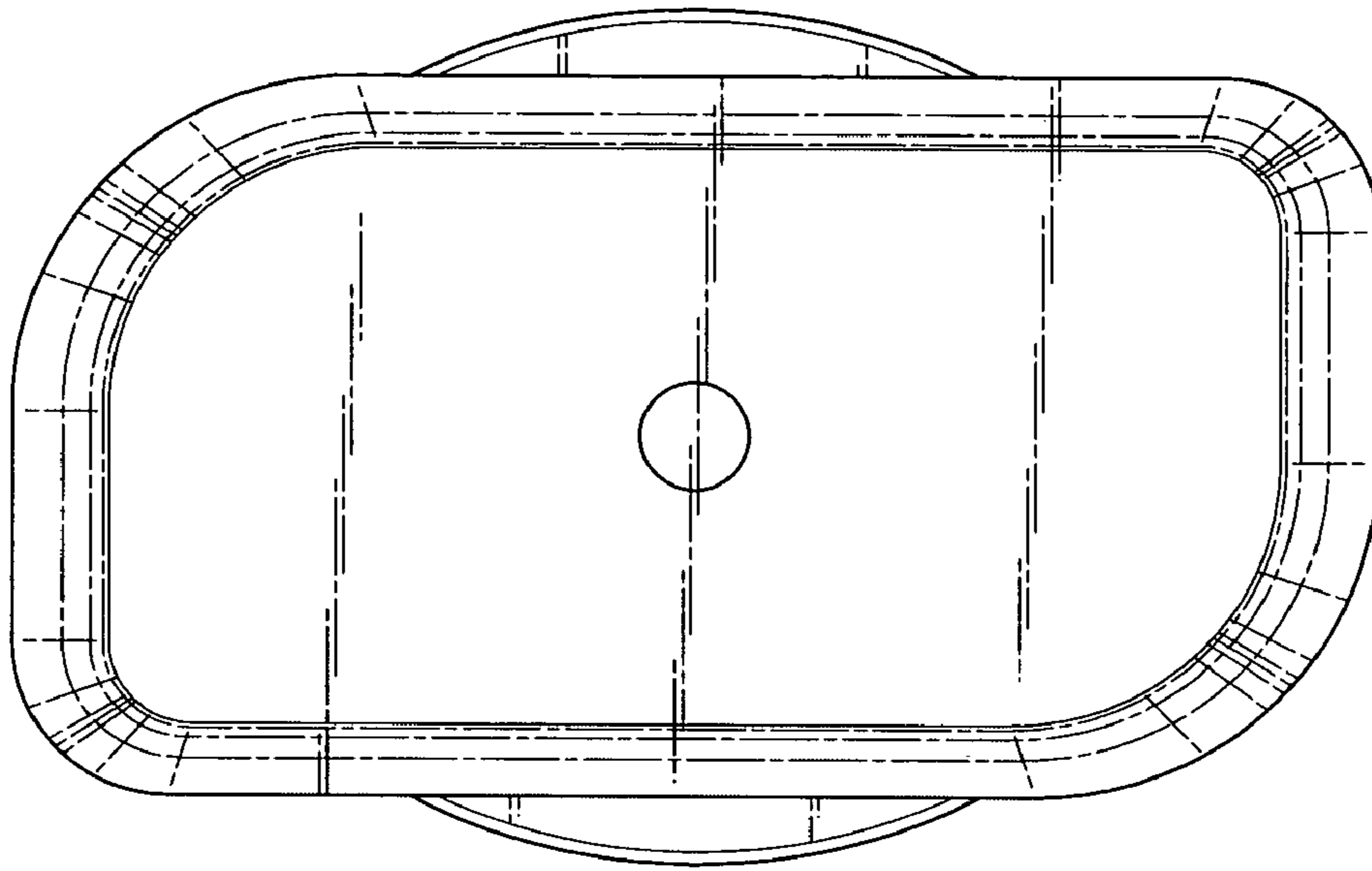


FIG. 7

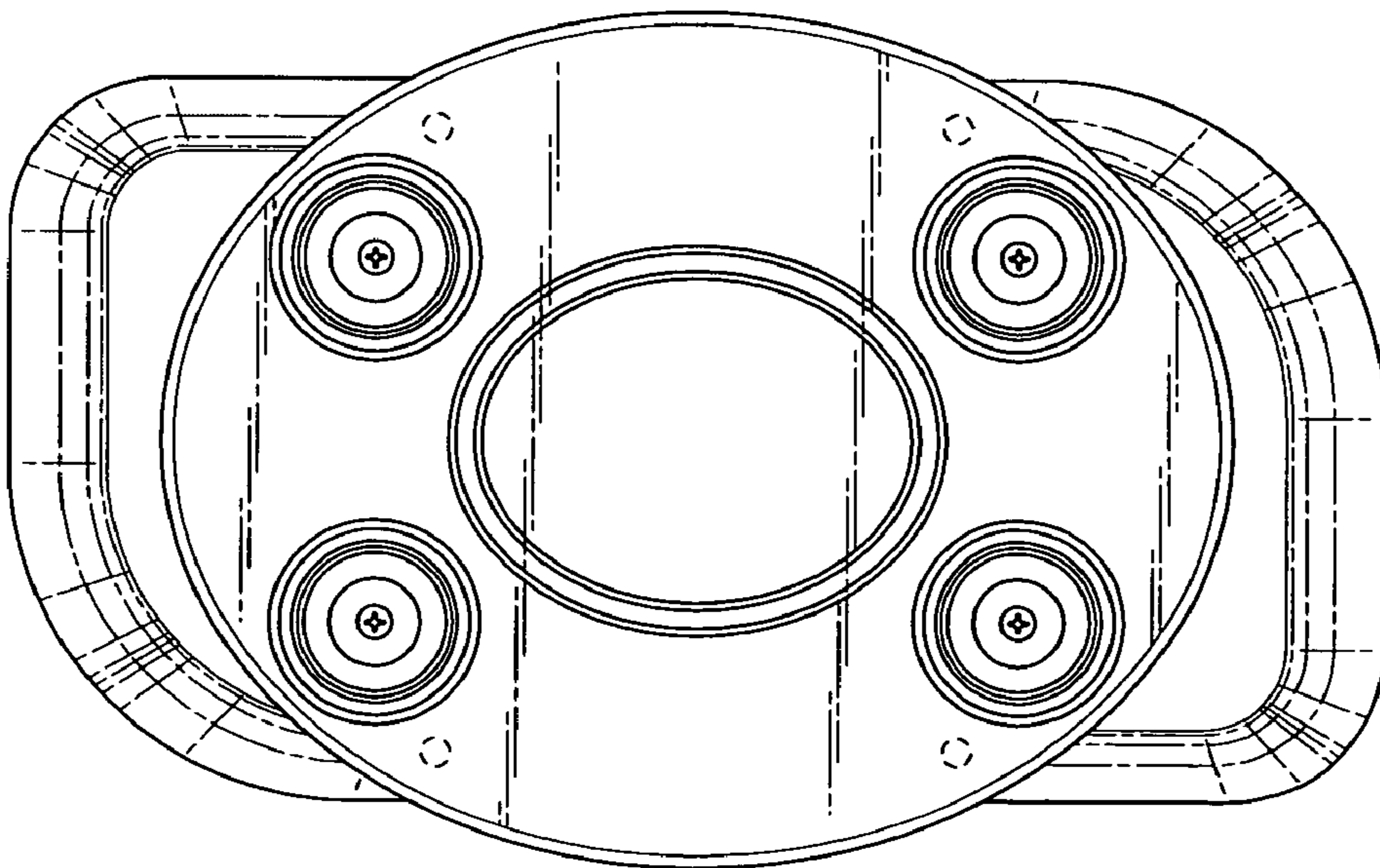


FIG. 8